



US00D618603S

(12) **United States Design Patent**
Lemon

(10) **Patent No.:** **US D618,603 S**
(45) **Date of Patent:** **** Jun. 29, 2010**

(54) **EXHAUST PIPE SET FOR A MINI-VAN**

D573,521 S * 7/2008 Hsu D12/194
D578,050 S * 10/2008 Hsu D12/194
D579,392 S * 10/2008 Saracoglu D12/194
2004/0050618 A1 * 3/2004 Marocco 181/248
2005/0161283 A1 * 7/2005 Emler 181/249

(76) Inventor: **Shawna Cannon Lemon**, 301
Keybridge Dr., Morrisville, NC (US)
27627

(**) Term: **14 Years**

(21) Appl. No.: **29/314,790**

(Continued)

(22) Filed: **Apr. 29, 2009**

FOREIGN PATENT DOCUMENTS

EP 271465 A2 * 6/1988

Related U.S. Application Data

(63) Continuation of application No. 29/312,543, filed on
Oct. 29, 2008.

(Continued)

(51) **LOC (9) Cl.** **12-16**

(52) **U.S. Cl.** **D12/194**

(58) **Field of Classification Search** D12/194;
138/37-39, 44, 103, 109; 180/89.2, 296,
180/309; 181/227, 228, 239-241, 247-249,
181/264, 282; 29/890.08; D15/5; 60/303,
60/313, 323; 293/113

OTHER PUBLICATIONS

09 Honda Odyssey brochure, American Honda Motor Co., Inc. (USA
2008).

See application file for complete search history.

(Continued)

Primary Examiner—T. Chase Nelson
Assistant Examiner—Michael A Pratt

(56) **References Cited**

(57) **CLAIM**

U.S. PATENT DOCUMENTS

The ornamental design for an exhaust pipe set for a mini van,
substantially as shown and described.

- 4,478,310 A * 10/1984 Harter 181/241
- 5,108,333 A * 4/1992 Heider et al. 445/26
- 5,198,625 A * 3/1993 Borla 181/248
- 5,200,582 A * 4/1993 Kraai et al. 181/256
- D435,815 S * 1/2001 Larson D12/169
- 6,196,351 B1 * 3/2001 Clokey et al. 181/252
- D467,209 S * 12/2002 Burns D12/194
- D488,114 S * 4/2004 Kulla D12/194
- D488,755 S * 4/2004 Kulla D12/194
- 7,007,720 B1 * 3/2006 Chase et al. 138/110
- D534,469 S * 1/2007 Murkett D12/194
- D534,848 S * 1/2007 Murkett D12/194
- D539,715 S * 4/2007 Lai D12/194
- D540,231 S * 4/2007 Braun et al. D12/194
- 7,243,757 B2 * 7/2007 Stuber 181/270
- D553,062 S * 10/2007 Murkett D12/194
- D558,111 S * 12/2007 Banks, III D12/194
- D559,753 S * 1/2008 Pfeiffer D12/194

DESCRIPTION

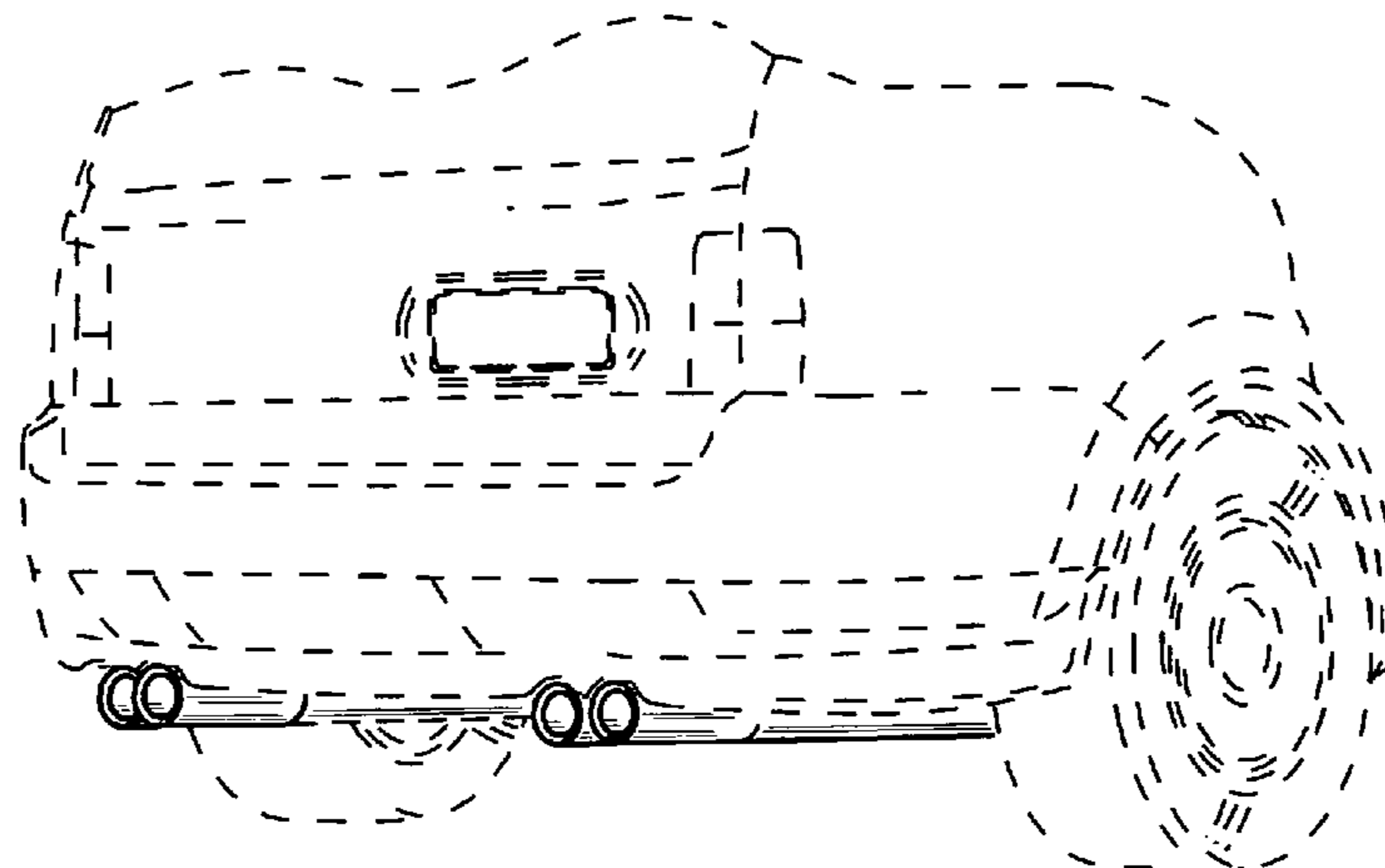
FIG. 1 is a partial perspective view of the present design
showing an exhaust pipe set for a mini van;

FIG. 2 is a rear view thereof; and,

FIG. 3 is a side view thereof, the opposite side being a mirror
image thereof.

The bottom view is disclaimed herein. The broken lines
shown herein (portions of the design shown in broken/dashed
lines) are for illustrative purposes only and form no part of the
claimed design.

1 Claim, 2 Drawing Sheets



US D618,603 S

Page 2

U.S. PATENT DOCUMENTS

2009/0127025 A1* 5/2009 Rimback 181/282

FOREIGN PATENT DOCUMENTS

JP 59183018 A * 10/1984

JP 61040409 A * 2/1986

OTHER PUBLICATIONS

2009 SUVs Mercedes-Benz brochure, Mercedes Benz USA, LLC (Montvale, NJ 2008).

2009 Routan Das Auto brochure, Volkswagen of America (USA 2008).

Sienna 09 brochure, Toyota Motor Sales (USA 2008).

2008 Chrysler Town & Country brochure (USA 2007).

08 Dodge Grand Caravan brochure (USA 2008).

08 Honda Odyssey brochure, American Honda Motor Co., Inc. (USA 2007).

2008 Hyundai Entourage brochure (USA 2007).

08.Sedona brochure.

Mercedes-Benz SUVs 2008 brochure, Mercedes Benz USA, LLC (Montvale, NJ 2007).

2008 Nissan Quest brochure (USA).

Paul Hochman, *Pimp out your family minivan with accessories*, MSNBC.com (Sep. 27, 2006).

<http://www.grounddynamics.com> (95-98 Honda Odyssey Body Kits) (viewed Apr. 28, 2009).

<http://www.grounddynamics.com> (99-03 Honda Odyssey Body Kits) (viewed Apr. 28, 2009).

* cited by examiner

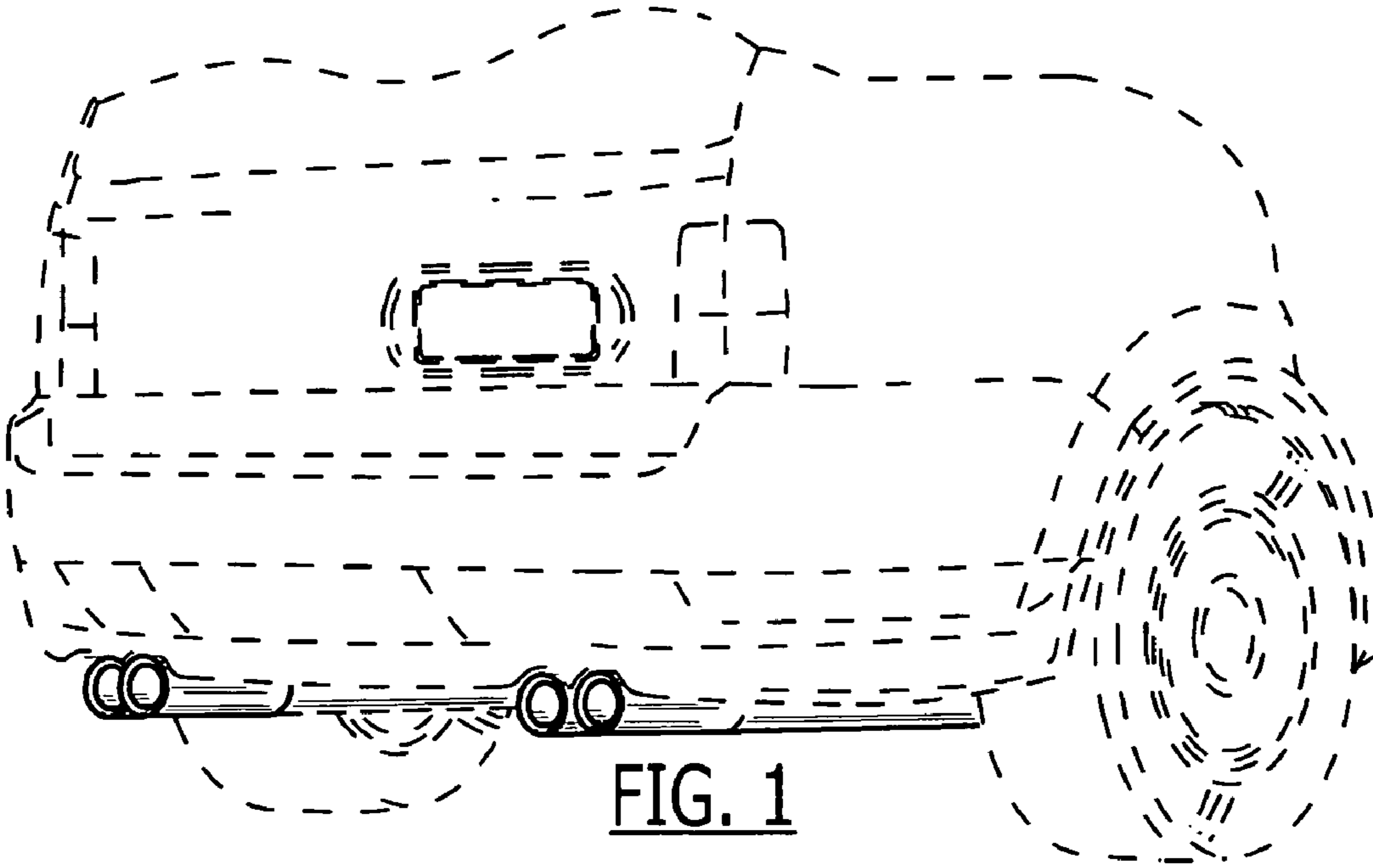


FIG. 1

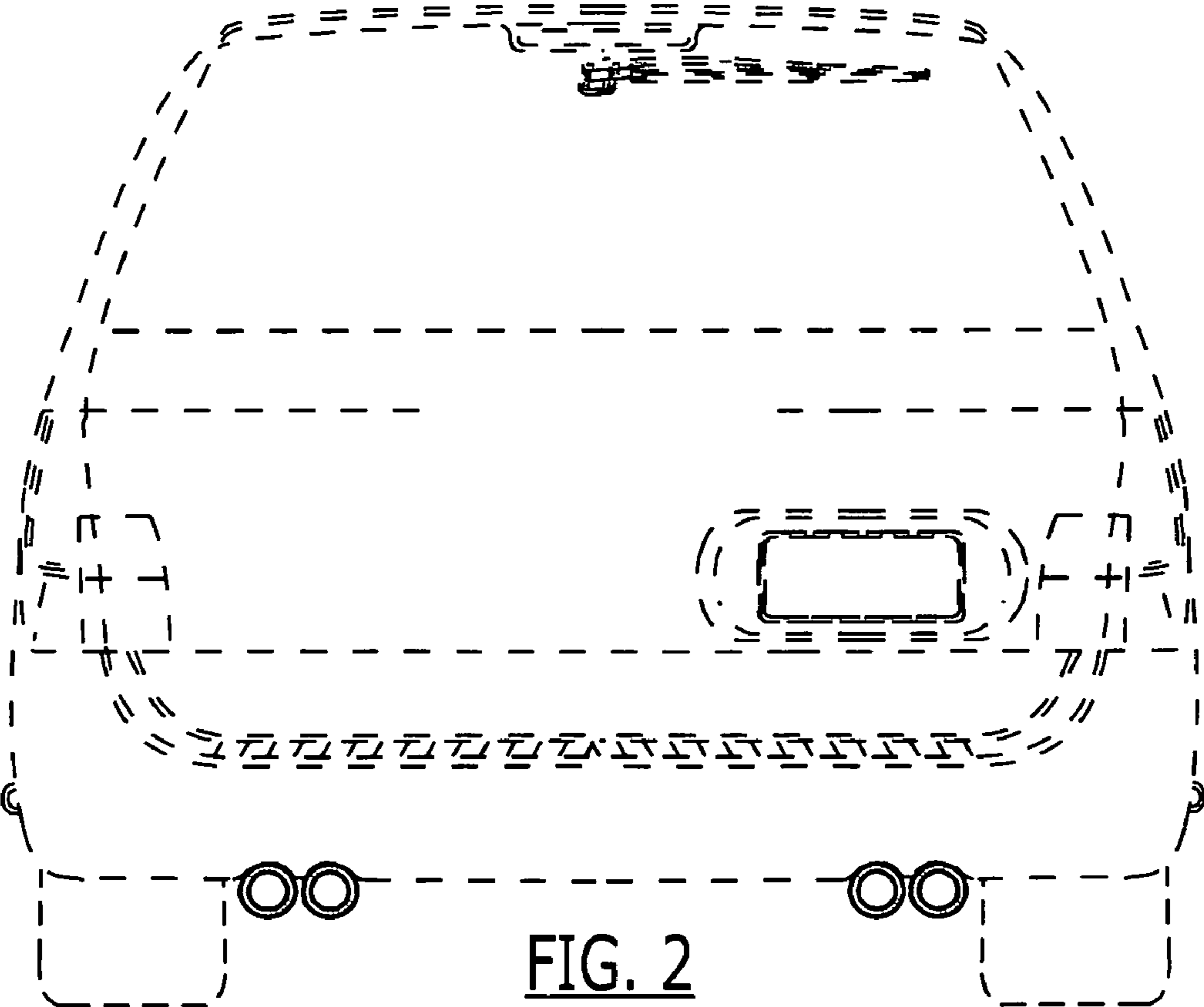


FIG. 2

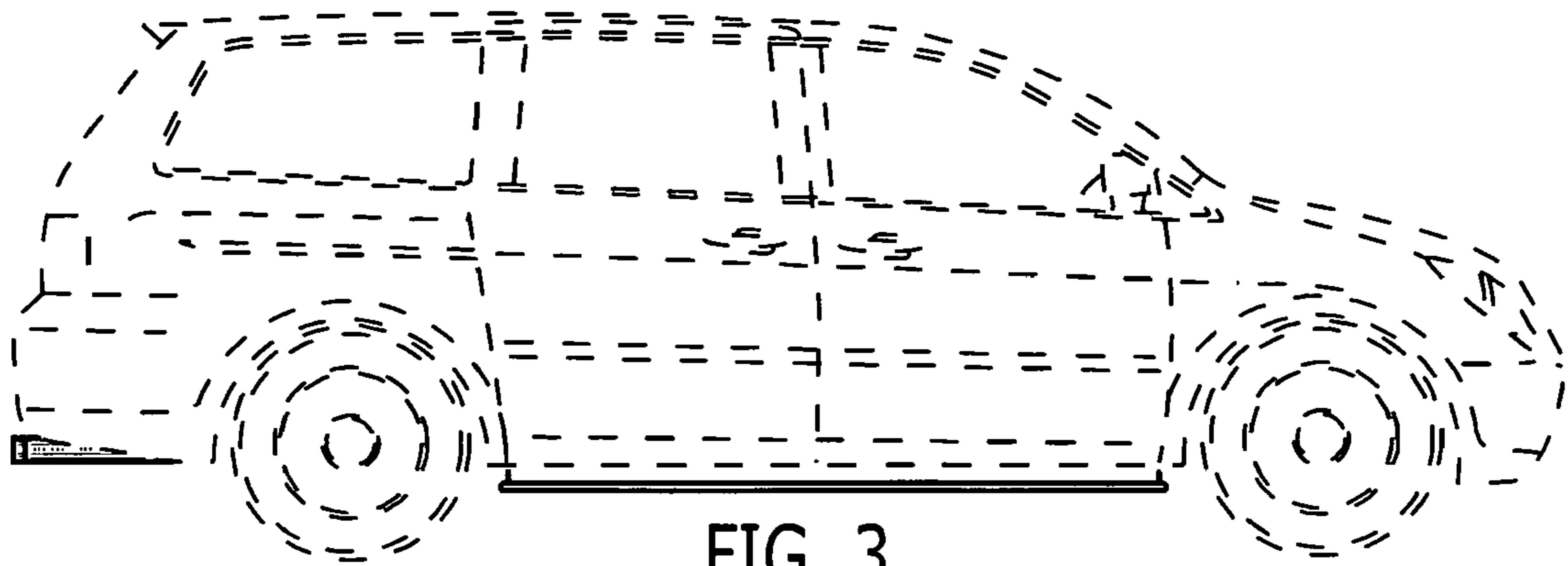


FIG. 3