



US00D618599S

(12) **United States Design Patent**
Miyazawa et al.

(10) **Patent No.:** **US D618,599 S**

(45) **Date of Patent:** **** Jun. 29, 2010**

(54) **FRONT BUMPER FOR AUTOMOBILE**

(75) Inventors: **Takuya Miyazawa**, Wako (JP); **Aoi Shoji**, Wako (JP)

(73) Assignee: **Honda Motor Co. Ltd.**, Tokyo (JP)

(**) Term: **14 Years**

(21) Appl. No.: **29/346,300**

(22) Filed: **Oct. 29, 2009**

(30) **Foreign Application Priority Data**

Apr. 30, 2009 (JP) 2009-009976

(51) **LOC (9) Cl.** **12-16**

(52) **U.S. Cl.** **D12/169**

(58) **Field of Classification Search** D12/169,
D12/196, 171, 163, 216, 90-92, 86; 293/102,
293/113, 115, 117, 120; 296/180.1, 180.2
See application file for complete search history.

(56) **References Cited**

U.S. PATENT DOCUMENTS

D512,003 S * 11/2005 Koide D12/169
D551,137 S * 9/2007 Manfredini D12/169
D563,291 S * 3/2008 Nishihama et al. D12/169

D563,844 S * 3/2008 Kodama et al. D12/169
D564,426 S * 3/2008 Okue D12/169
D570,750 S * 6/2008 Sato et al. D12/169
D580,321 S * 11/2008 Lamm D12/169
D583,731 S * 12/2008 Saridakis et al. D12/173

* cited by examiner

Primary Examiner—Melody N Brown

(74) *Attorney, Agent, or Firm*—Birch, Stewart, Kolasch & Birch, LLP

(57) **CLAIM**

The ornamental design for a front bumper for automobile, as shown and described.

DESCRIPTION

FIG. 1 is a perspective view from the front side of a front bumper for automobile.

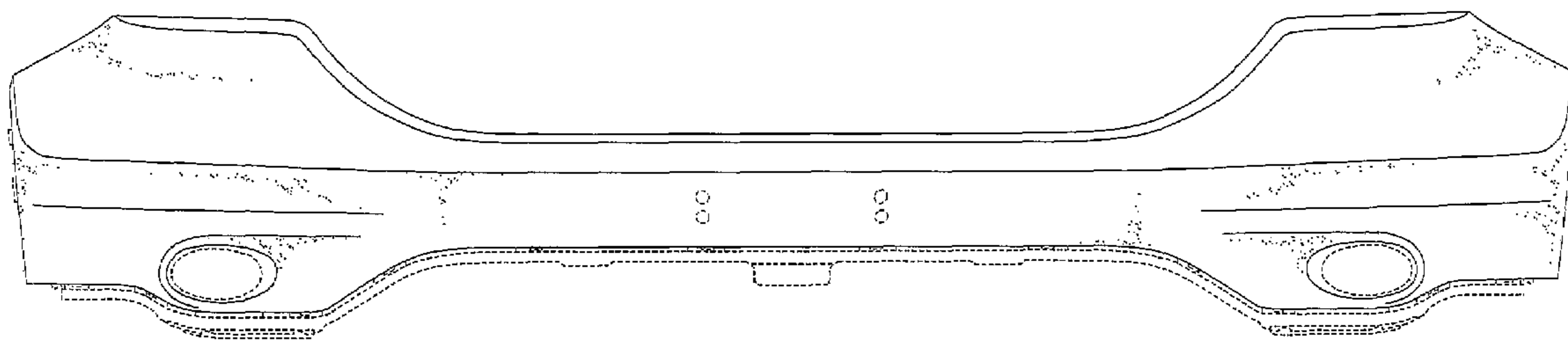
FIG. 2 is a front elevation view thereof.

FIG. 3 is a top plan view thereof; and,

FIG. 4 is a right side elevation view thereof.

The portion of the article shown in broken lines is for the purpose of showing environmental structure only and forms no part of the claimed design.

1 Claim, 4 Drawing Sheets



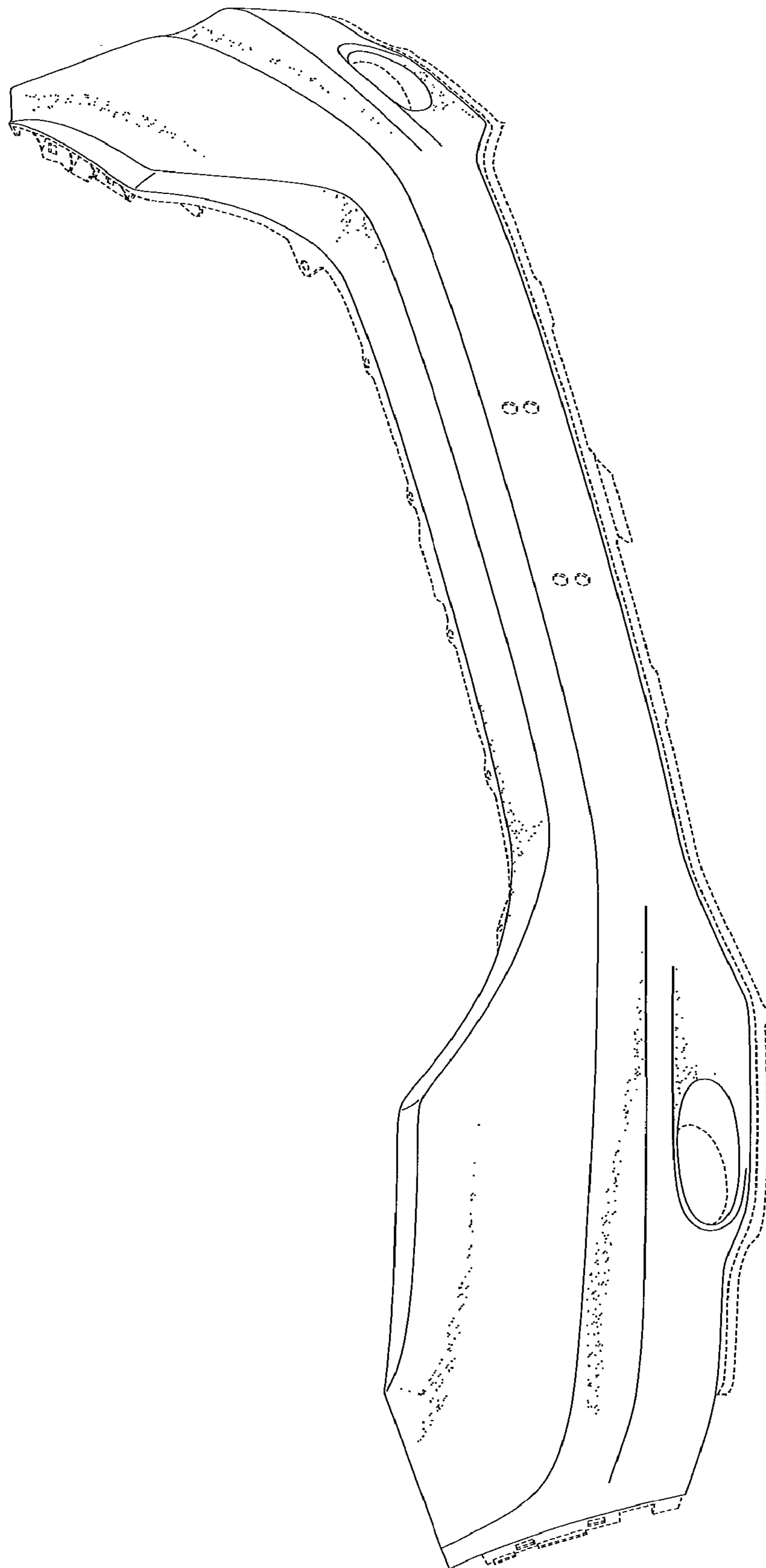


FIG. 1

FIG. 2

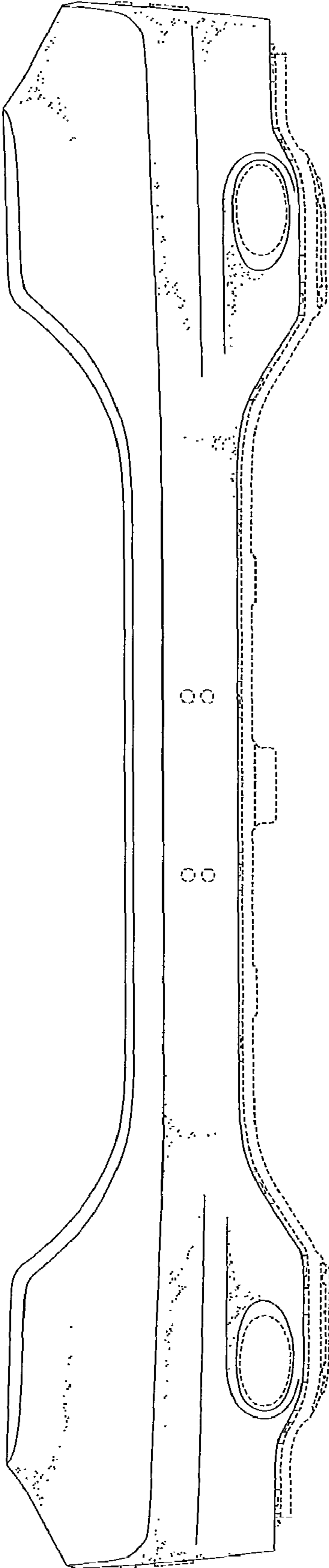


FIG. 3

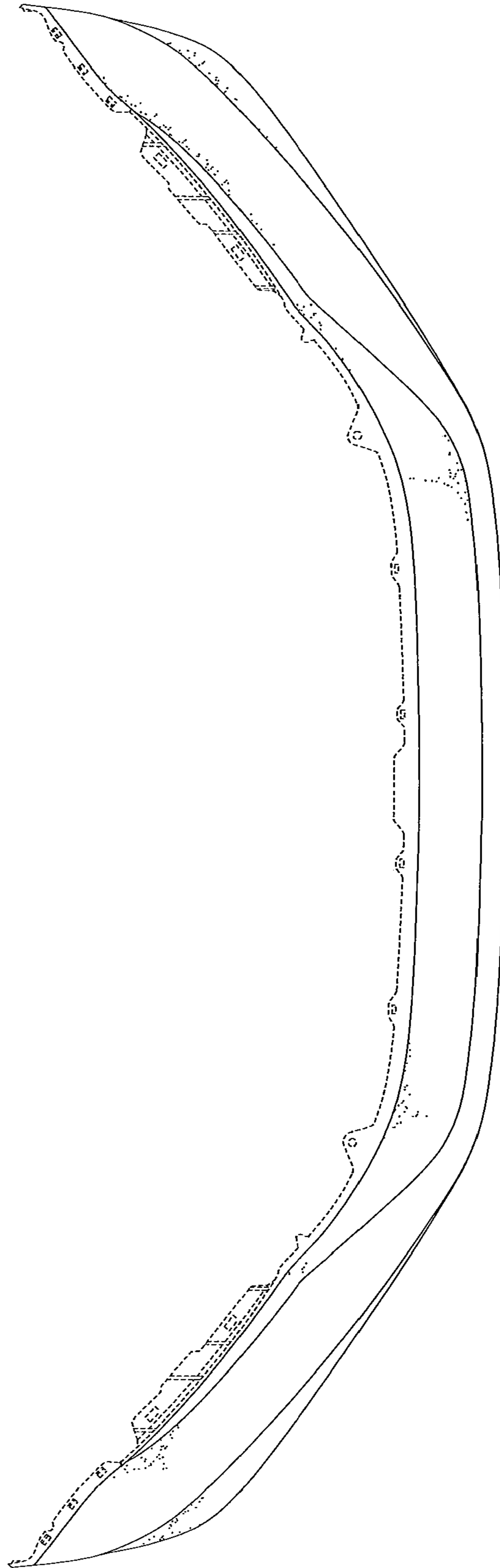


FIG. 4

