



US00D618598S

(12) **United States Design Patent**  
**Edwards**

(10) **Patent No.:** **US D618,598 S**  
(45) **Date of Patent:** **\*\* Jun. 29, 2010**

(54) **VEHICLE HITCH BUMPER STICKER DISPLAY**

(76) Inventor: **Jimmie L Edwards**, 3300 Herndon St.,  
Bakersfield, CA (US) 93312

(\*\*) Term: **14 Years**

(21) Appl. No.: **29/332,741**

(22) Filed: **Feb. 24, 2009**

(51) **LOC (9) Cl.** ..... **12-16**

(52) **U.S. Cl.** ..... **D12/162**

(58) **Field of Classification Search** ..... D12/161-162,  
D12/199, 400; D20/10, 19, 43, 49; 224/509-537;  
280/186, 402-403, 405, 407, 482, 511-513,  
280/405.1-405.2, 407.1, 416.2, 491.5; 40/591,  
40/606.01, 606.03, 603, 604

See application file for complete search history.

(56) **References Cited**

**U.S. PATENT DOCUMENTS**

- 1,791,682 A \* 2/1931 Morrison et al. .... 40/651
- D252,377 S \* 7/1979 Mallory et al. .... D20/43
- 4,736,539 A \* 4/1988 Dickinson ..... 40/591
- 5,603,178 A 2/1997 Morrison
- D399,805 S \* 10/1998 Donalies ..... D12/162
- 6,006,033 A \* 12/1999 Heisch ..... 717/158
- 6,007,003 A 12/1999 Wand
- D419,505 S \* 1/2000 Deerman ..... D12/162
- D424,485 S \* 5/2000 Parker ..... D12/162
- D430,519 S \* 9/2000 Beauvais ..... D12/162
- 6,253,476 B1 \* 7/2001 Powell ..... 40/591
- D458,195 S \* 6/2002 Beauvais ..... D12/162
- 6,412,202 B1 \* 7/2002 Oswood ..... 40/591

- 6,553,697 B1 \* 4/2003 Pichan ..... 40/591
- D480,338 S \* 10/2003 Harwood ..... D12/162
- 6,796,060 B1 \* 9/2004 Meester et al. .... 40/210
- 6,910,705 B1 \* 6/2005 Harwood et al. .... 280/507
- D528,949 S \* 9/2006 Tirey ..... D12/162
- 7,347,017 B2 \* 3/2008 Shaffer, Jr. .... 40/591
- 2003/0121192 A1 \* 7/2003 McPheters ..... 40/591

\* cited by examiner

*Primary Examiner*—T. Chase Nelson

*Assistant Examiner*—Kathleen M Sims

(74) *Attorney, Agent, or Firm*—Crossley Patent Law; Mark A. Crossley

(57) **CLAIM**

The ornamental design for a vehicle hitch bumper sticker display, as shown and described.

**DESCRIPTION**

FIG. 1 is a front elevation view of a vehicle hitch bumper sticker display showing my new design;

FIG. 2 is a rear elevation view thereof;

FIG. 3 is a right elevation view thereof, the opposite side being a mirror image of the shown;

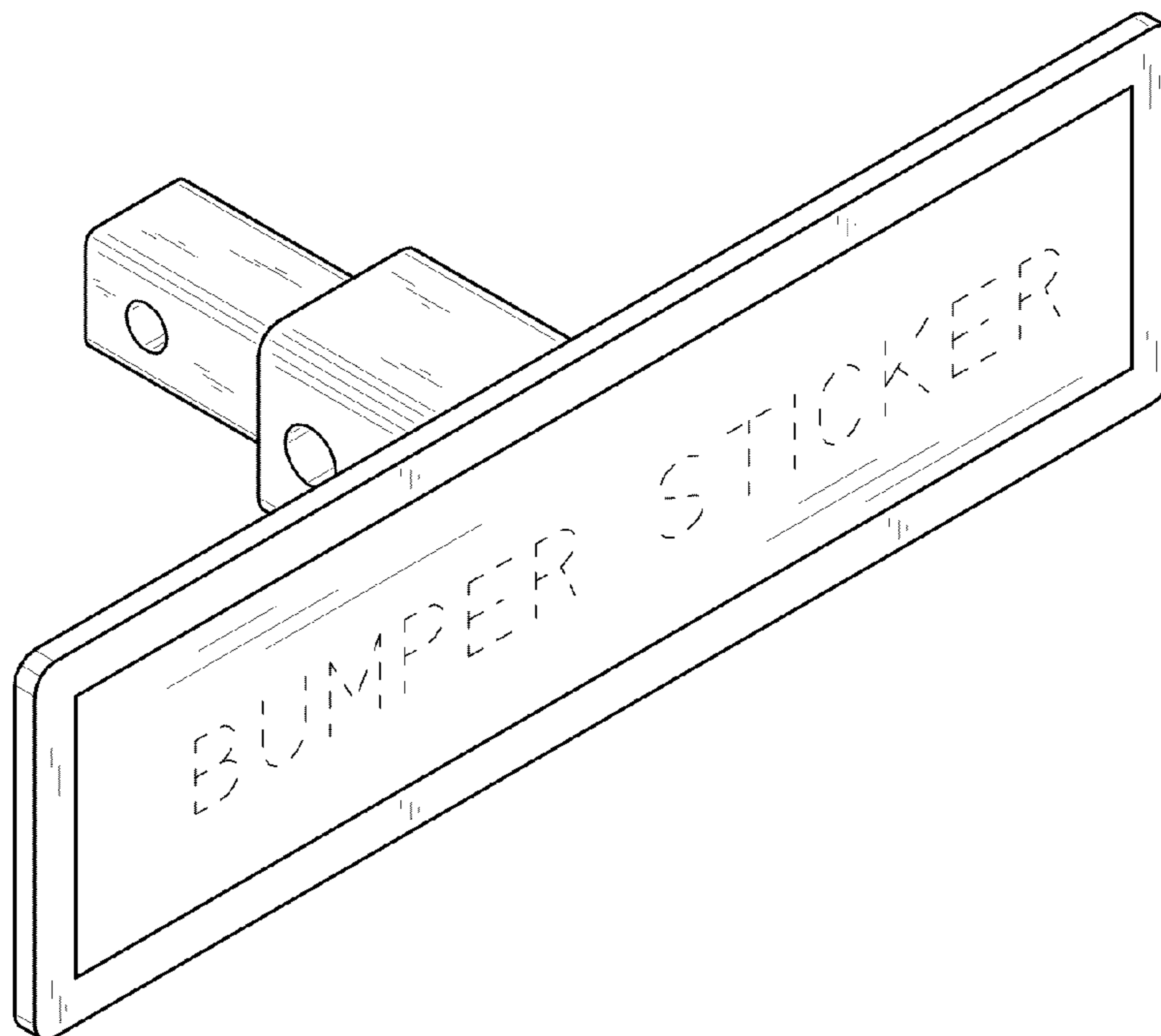
FIG. 4 is a top plan view thereof, the bottom plan view being a mirror image of the shown;

FIG. 5 is an front isometric view thereof; and,

FIG. 6 is a rear isometric view thereof.

The broken lines in FIG. 5 are for illustrative purposes only and form no part of the claimed design.

**1 Claim, 2 Drawing Sheets**



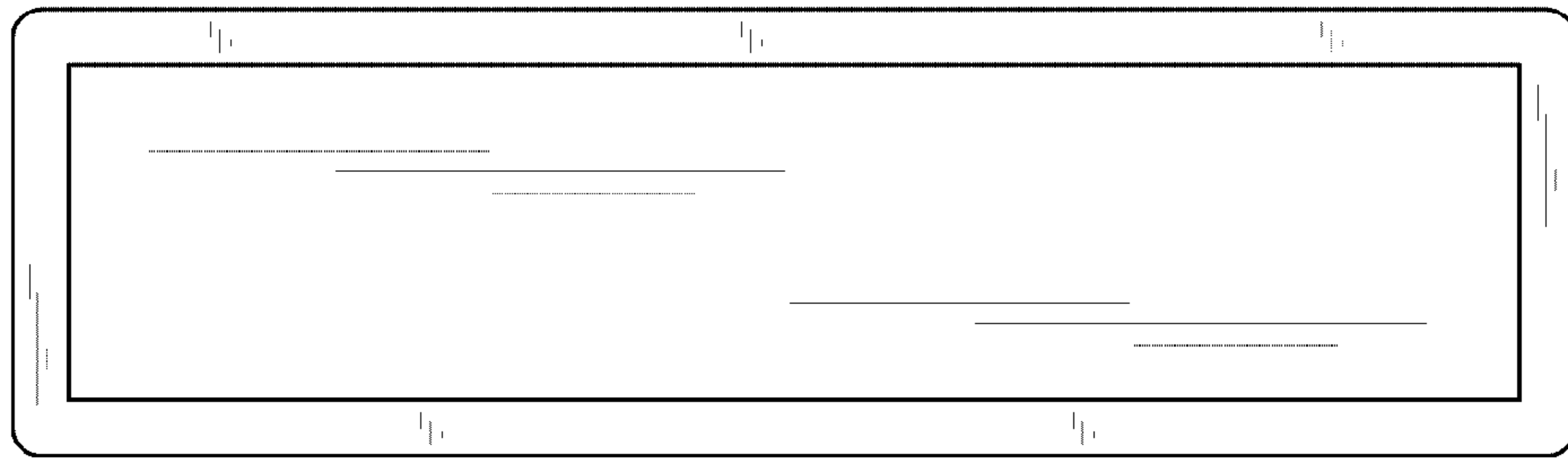


FIG. 1

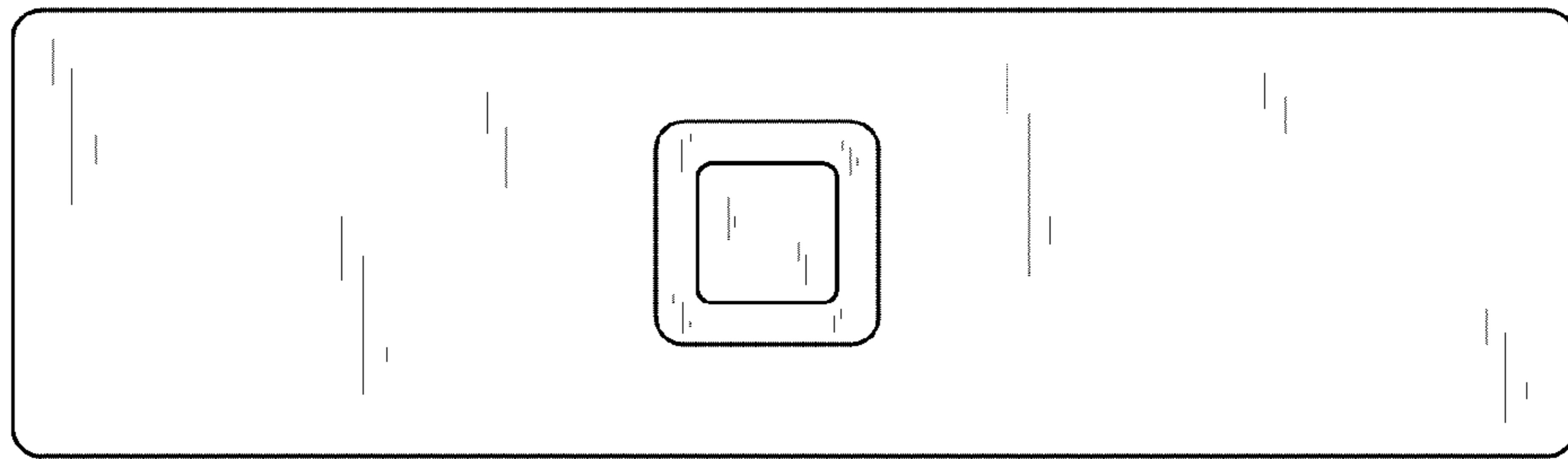


FIG. 2

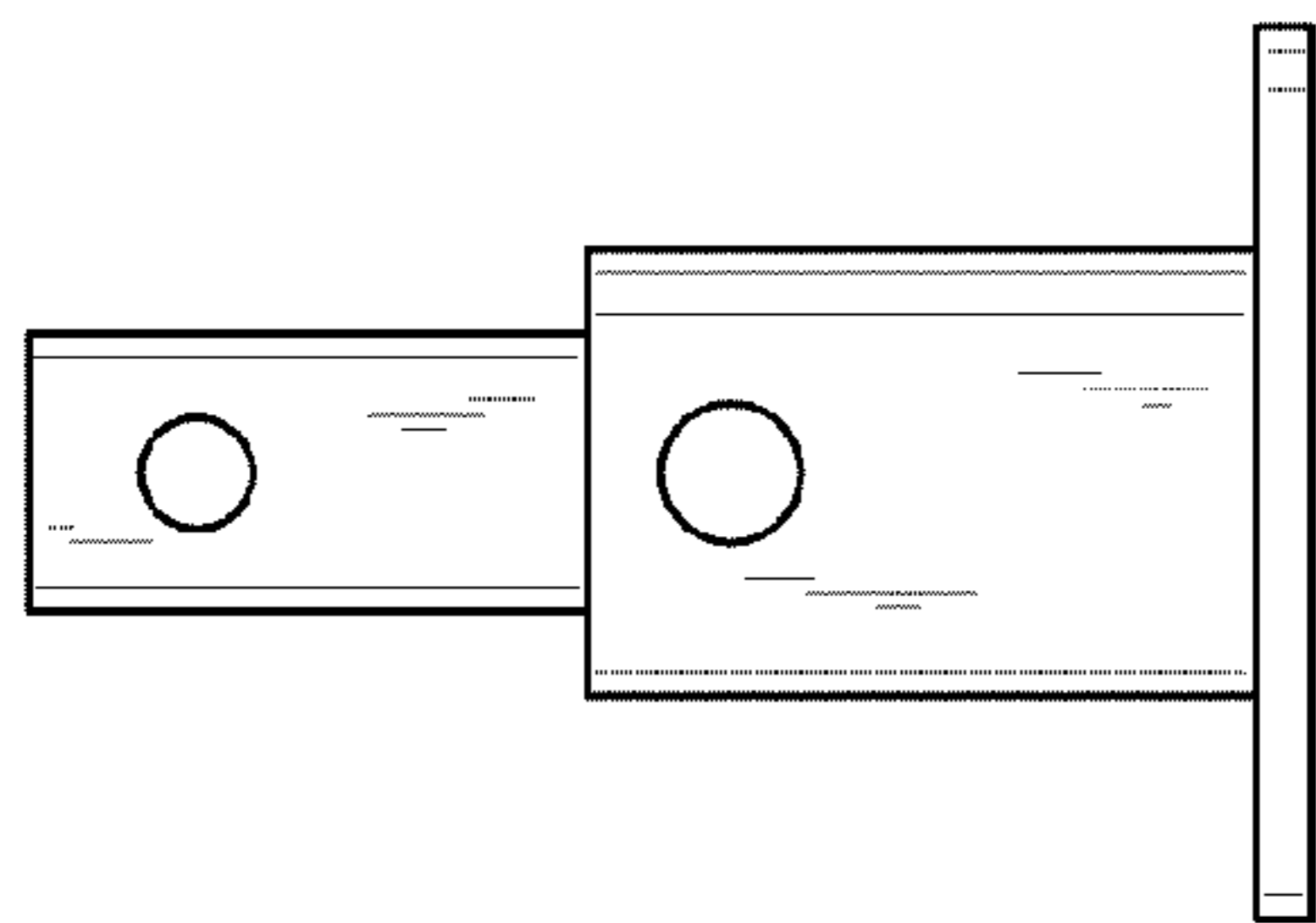


FIG. 3

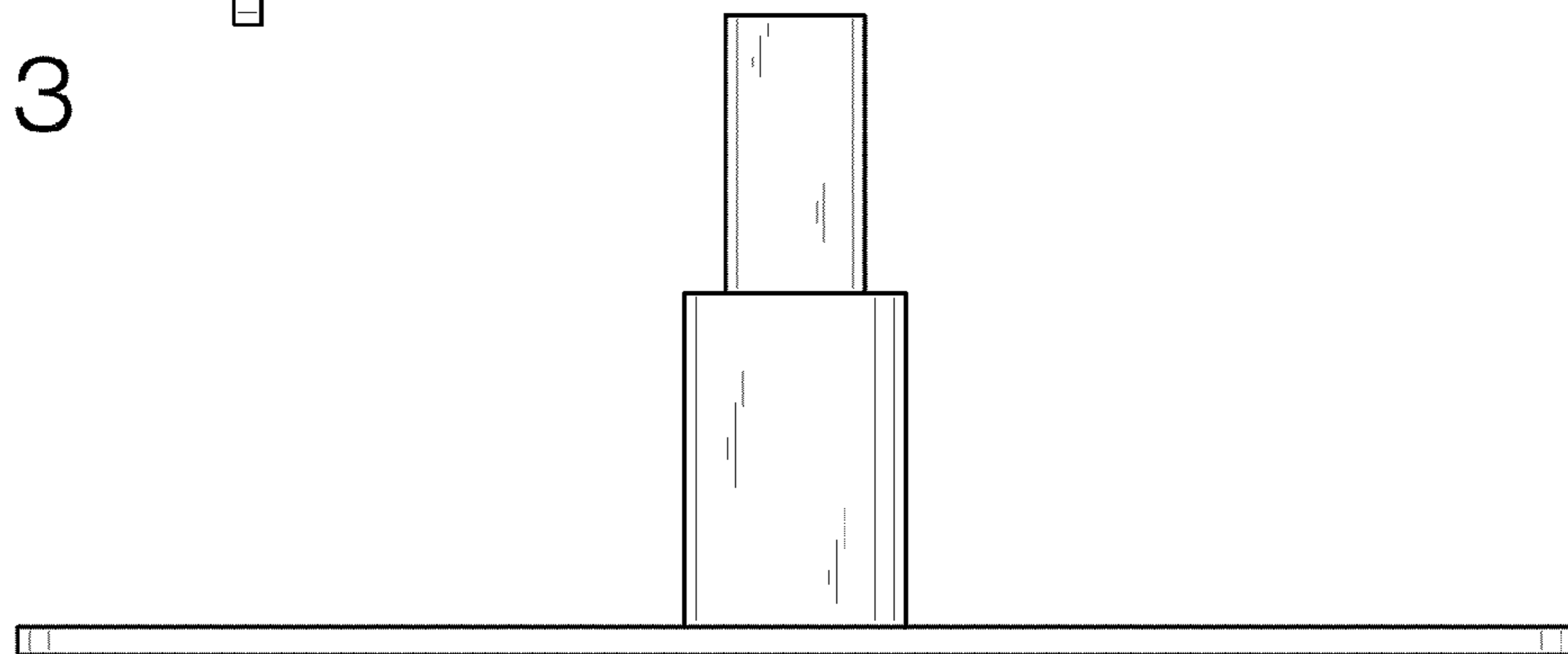


FIG. 4

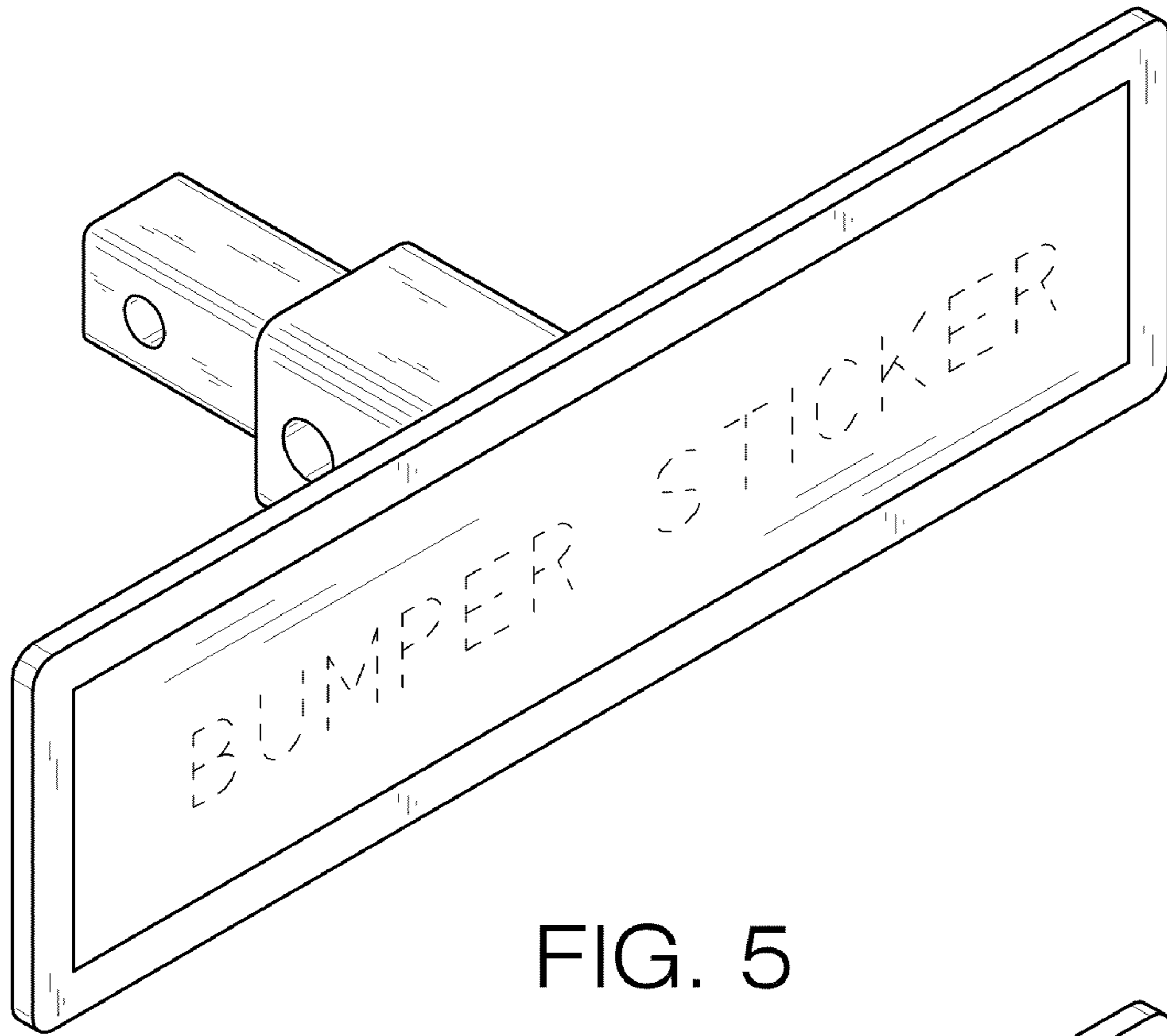


FIG. 5

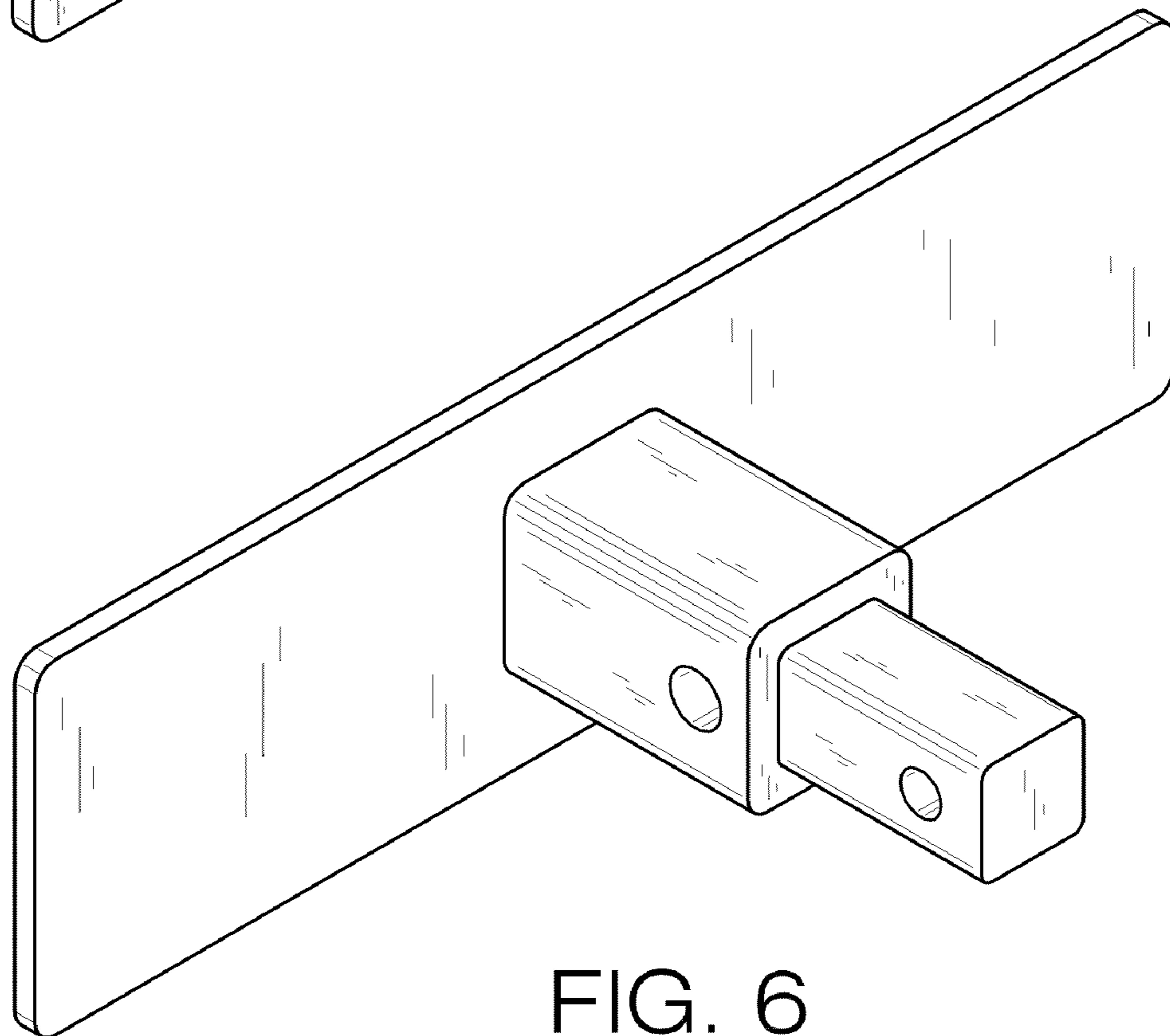


FIG. 6