



US00D618595S

(12) **United States Design Patent**
Ware et al.

(10) **Patent No.:** **US D618,595 S**
(45) **Date of Patent:** **** Jun. 29, 2010**

(54) **VEHICLE BODY**

(75) Inventors: **John H. Ware**, Sao Paulo (BR);
Matthew J. Noone, Rochester Hills, MI
(US); **Steve S. Kim**, Shelby Township,
MI (US); **Daniel Sizuo Nozaki**, Sao
Paulo (BR); **Carlos M. Barba**, Sao
Paulo (BR)

(73) Assignee: **GM Global Technology Operations,
Inc.**, Detroit, MI (US)

(**) Term: **14 Years**

(21) Appl. No.: **29/350,749**

(22) Filed: **Nov. 23, 2009**

(51) **LOC (9) Cl.** **12-08**

(52) **U.S. Cl.** **D12/98**

(58) **Field of Classification Search** D12/86,
D12/90-92, 98; 296/181.1, 181.5, 183.1,
296/37.6

See application file for complete search history.

(56) **References Cited**

U.S. PATENT DOCUMENTS

D509,772 S * 9/2005 Hattori et al. D12/98
D536,644 S * 2/2007 Shimoguchi et al. D12/98
D537,016 S * 2/2007 Shimoguchi et al. D12/98

D537,385 S * 2/2007 Shimoguchi et al. D12/98
D570,742 S * 6/2008 Takagi et al. D12/98
D570,743 S * 6/2008 Takagi et al. D12/98
D571,690 S * 6/2008 Takagi et al. D12/98
D596,532 S * 7/2009 Opfer et al. D12/98
D607,783 S * 1/2010 Roller et al. D12/98

* cited by examiner

Primary Examiner—Melody N Brown

(74) *Attorney, Agent, or Firm*—Reising Ethington P.C.

(57) **CLAIM**

The ornamental design for a vehicle body, as shown and described.

DESCRIPTION

FIG. 1 is a front view of a vehicle body showing the new design;

FIG. 2 is a left front perspective view thereof;

FIG. 3 is a left side view thereof;

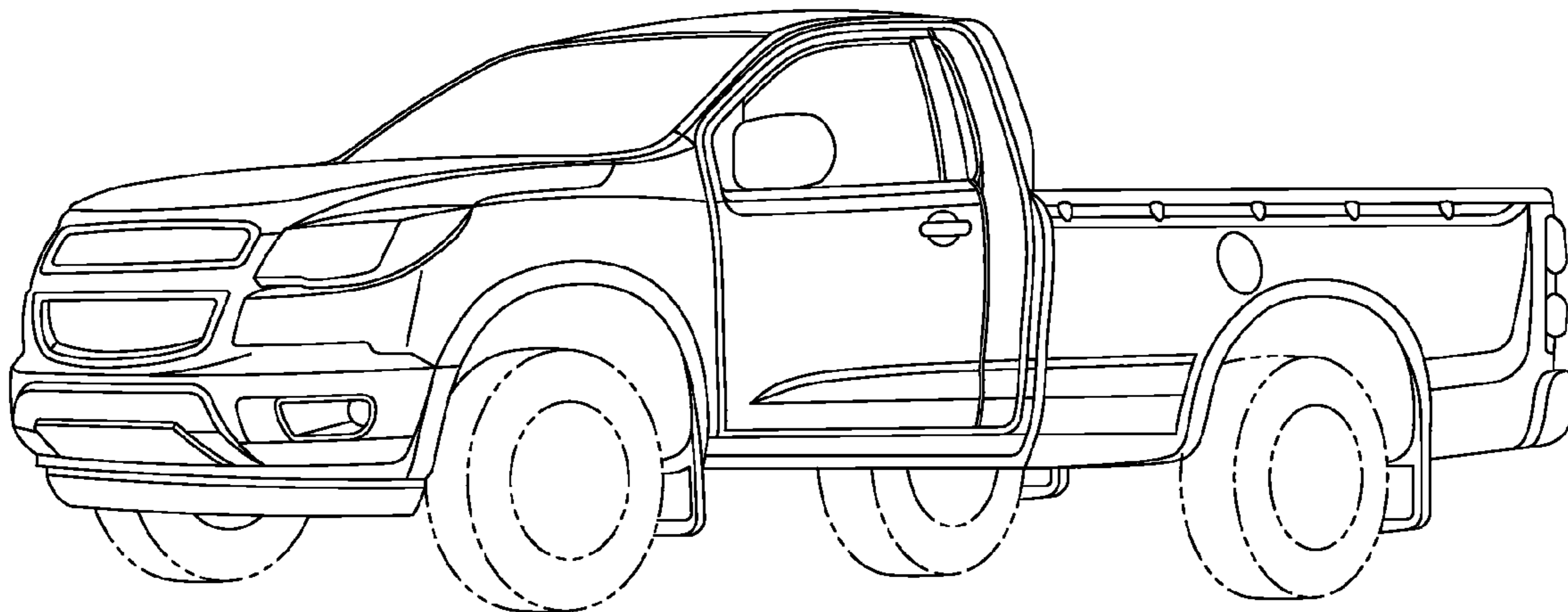
FIG. 4 is a left rear perspective view thereof;

FIG. 5 is a rear view thereof; and,

FIG. 6 is a top view thereof.

In the drawings, the elements shown in broken lines are for illustrative purposes only and form no part of the claimed design.

1 Claim, 6 Drawing Sheets



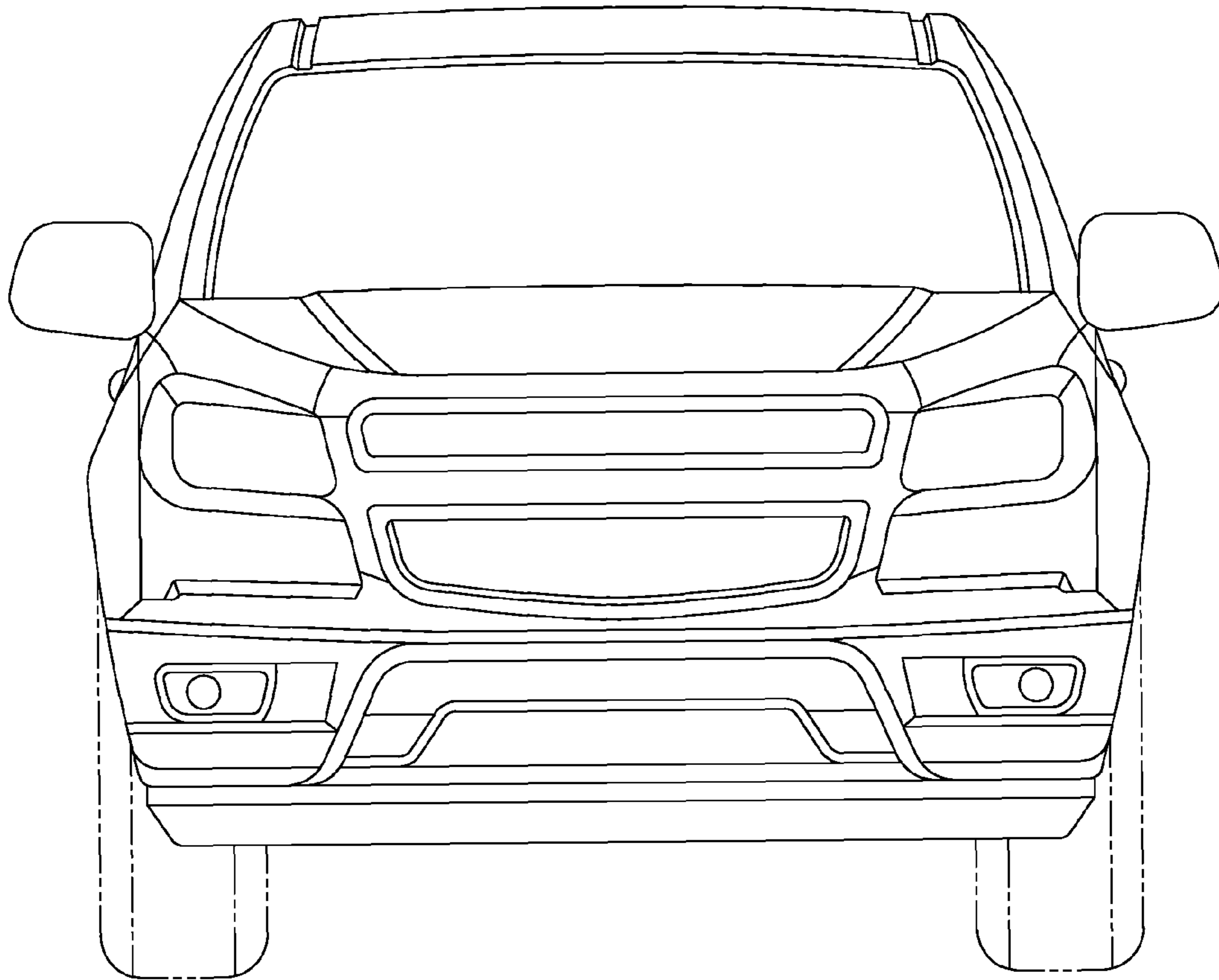


Fig-1

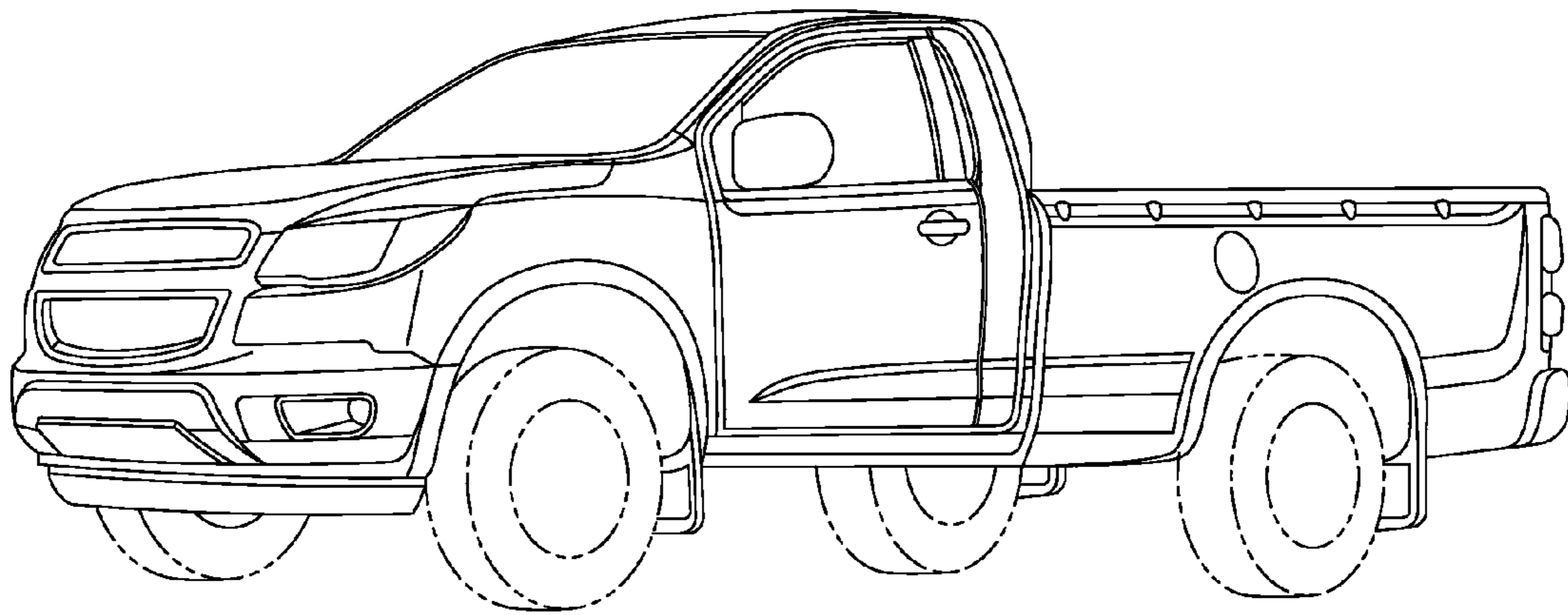


Fig-2

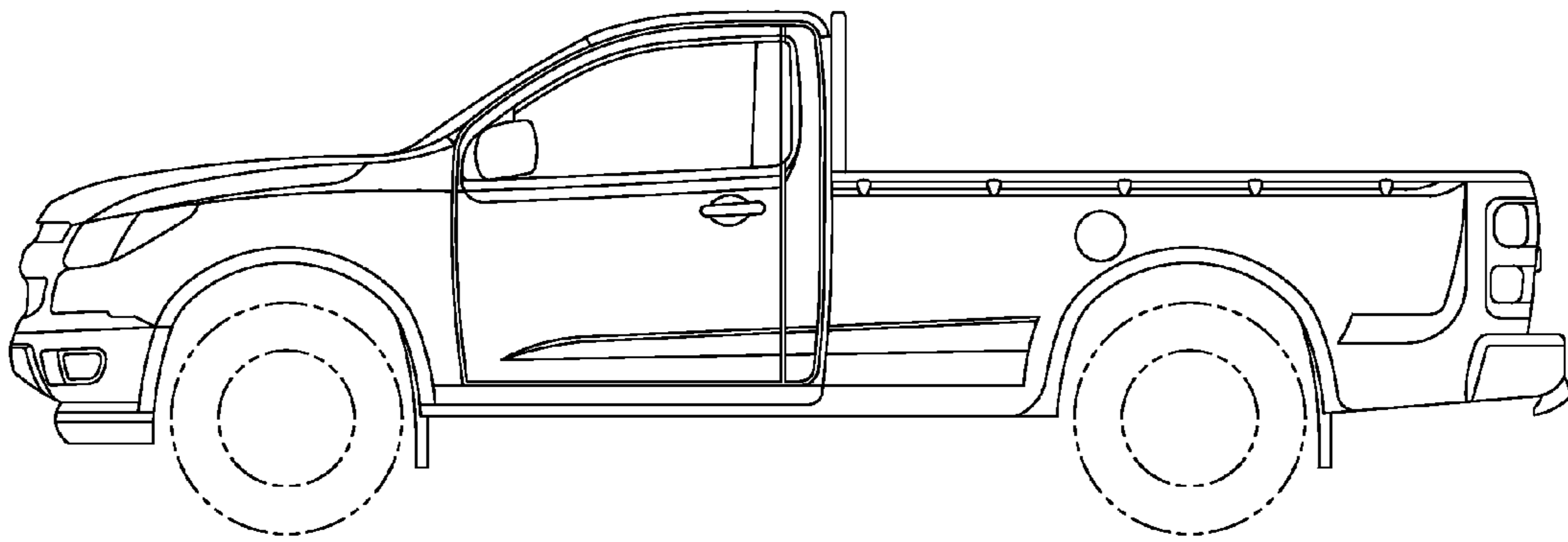


Fig-3

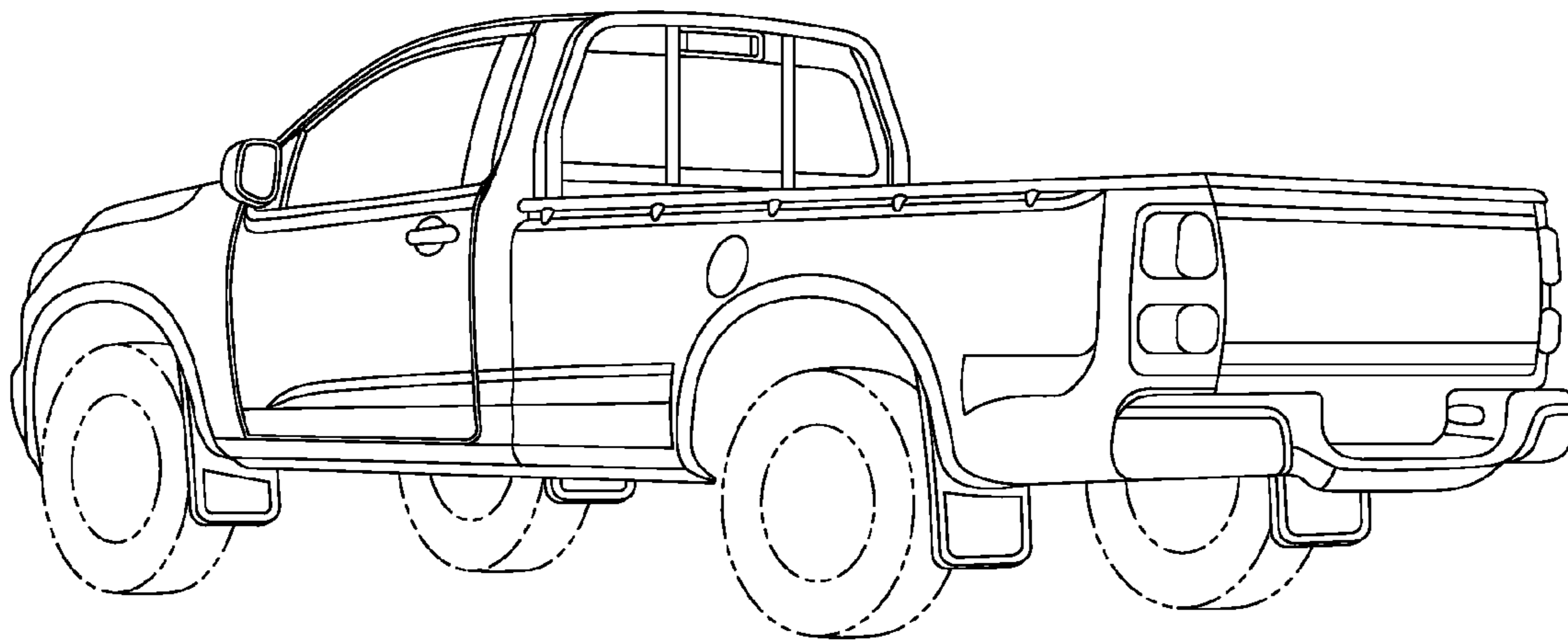


Fig-4

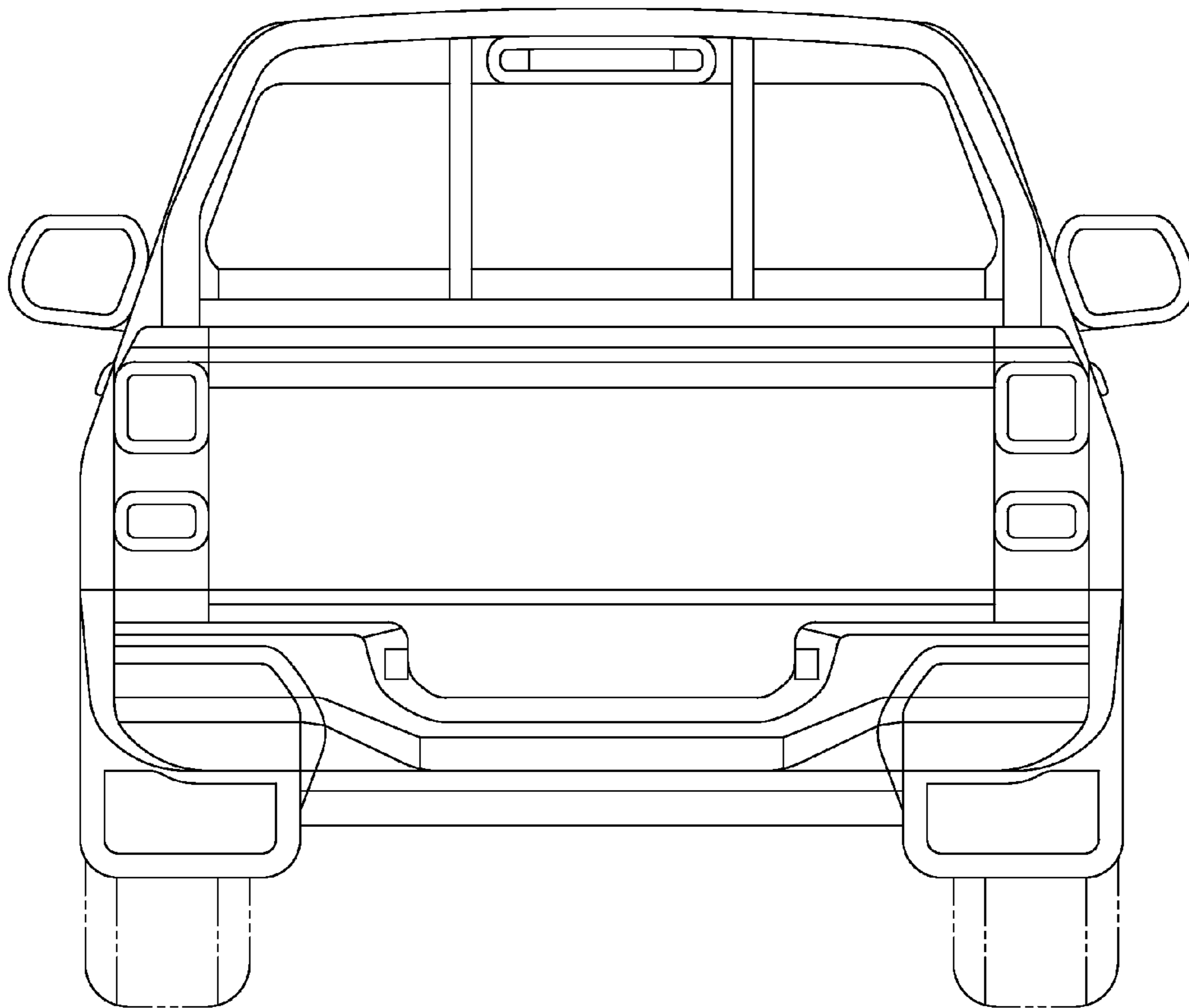


Fig-5

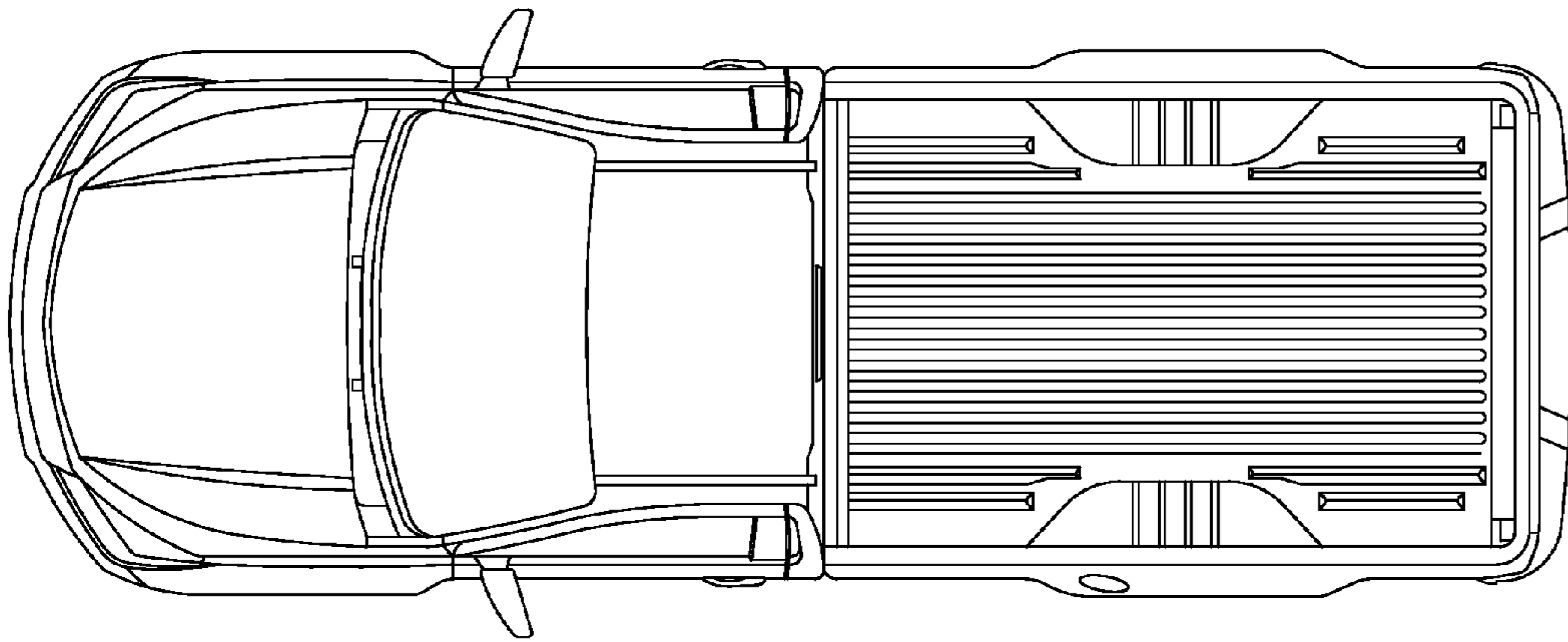


Fig-6