



US00D618592S

(12) **United States Design Patent**
Lo et al.

(10) **Patent No.:** **US D618,592 S**
(45) **Date of Patent:** **** Jun. 29, 2010**

(54) **AUTOMOBILE**

D588,500 S * 3/2009 Howell et al. D12/92
D599,709 S * 9/2009 Malachowski et al. D12/92

(75) Inventors: **Anthony Lo**, Kelkheim (DE); **Boris Jacob**, Wiesbaden (DE)

* cited by examiner

(73) Assignee: **GM Global Technology Operations, Inc.**, Detroit, MI (US)

Primary Examiner—Melody N Brown

(74) *Attorney, Agent, or Firm*—Abelman, Frayne & Schwab

(**) Term: **14 Years**

(57) **CLAIM**

(21) Appl. No.: **29/313,935**

The ornamental design for an automobile, as shown and described.

(22) Filed: **Feb. 18, 2009**

DESCRIPTION

(30) **Foreign Application Priority Data**

FIG. 1 is a right front perspective view showing our new automobile design;

Aug. 25, 2008 (EM) 000991120

FIG. 2 is a left rear perspective view thereof;

(51) **LOC (9) Cl.** **12-08**

FIG. 3 is a front elevational view thereof;

(52) **U.S. Cl.** **D12/92**

FIG. 4 is a right-side view thereof;

(58) **Field of Classification Search** D12/86,
D12/90–92; D21/424, 433, 434; 296/181.1,
296/181.5

FIG. 5 is a rear elevational view thereof;

See application file for complete search history.

FIG. 6 is a left-side view thereof; and,

FIG. 7 is a top plan view thereof.

The portions of the vehicle shown in broken lines are for illustrative purposes only and form no part of the claimed design.

(56) **References Cited**

U.S. PATENT DOCUMENTS

D568,213 S * 5/2008 Platto et al. D12/92

1 Claim, 7 Drawing Sheets

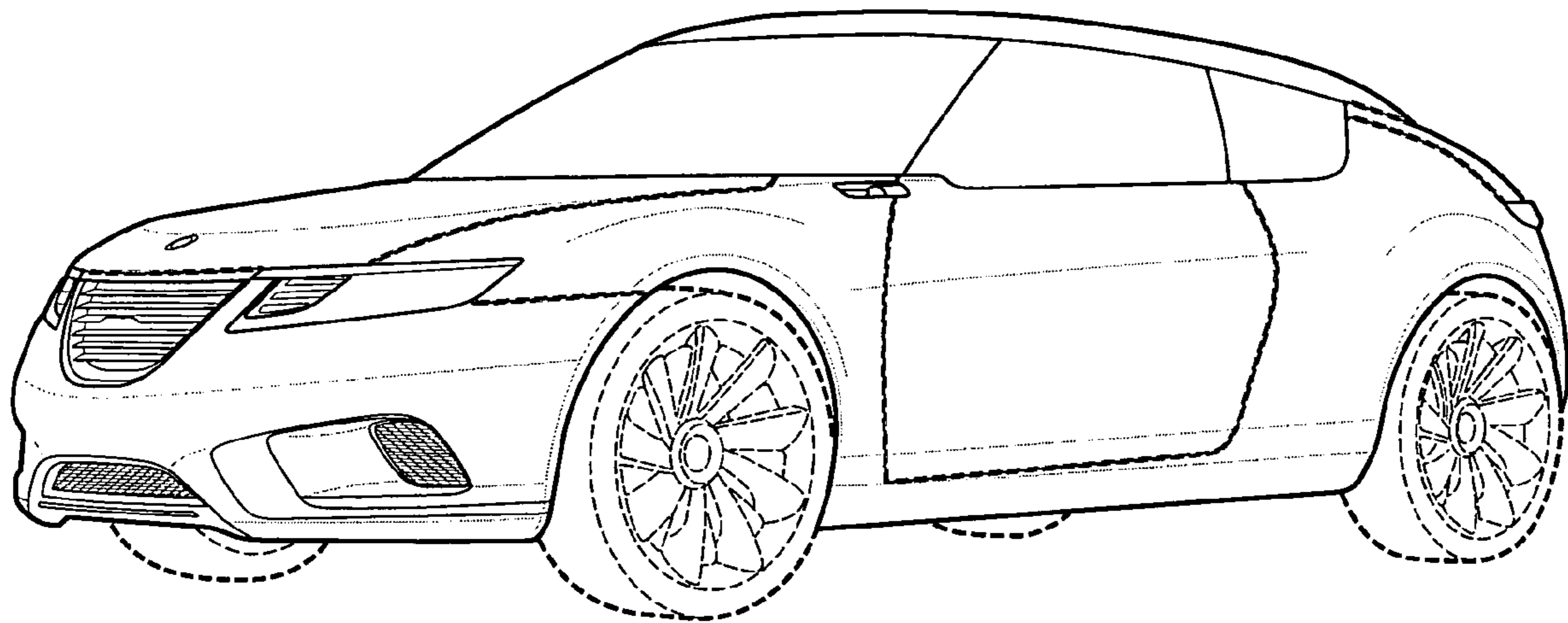


Fig. 1

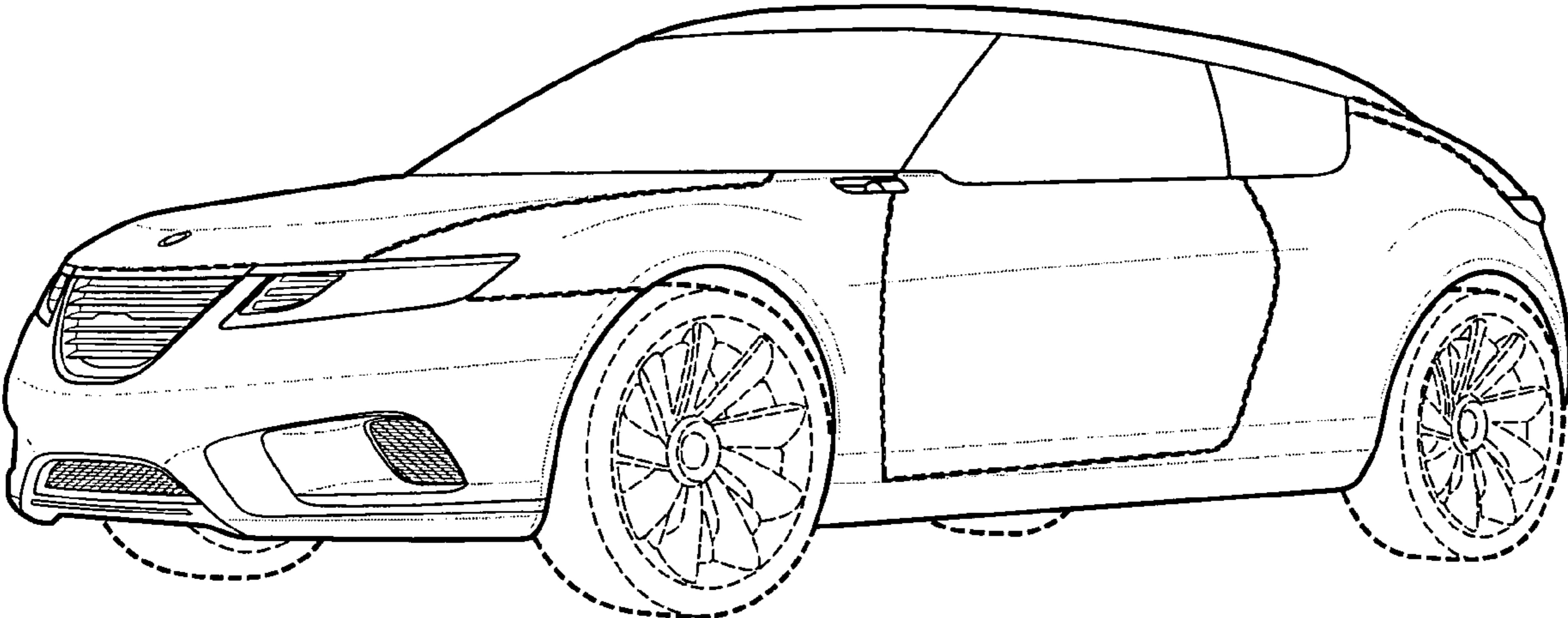


Fig. 2

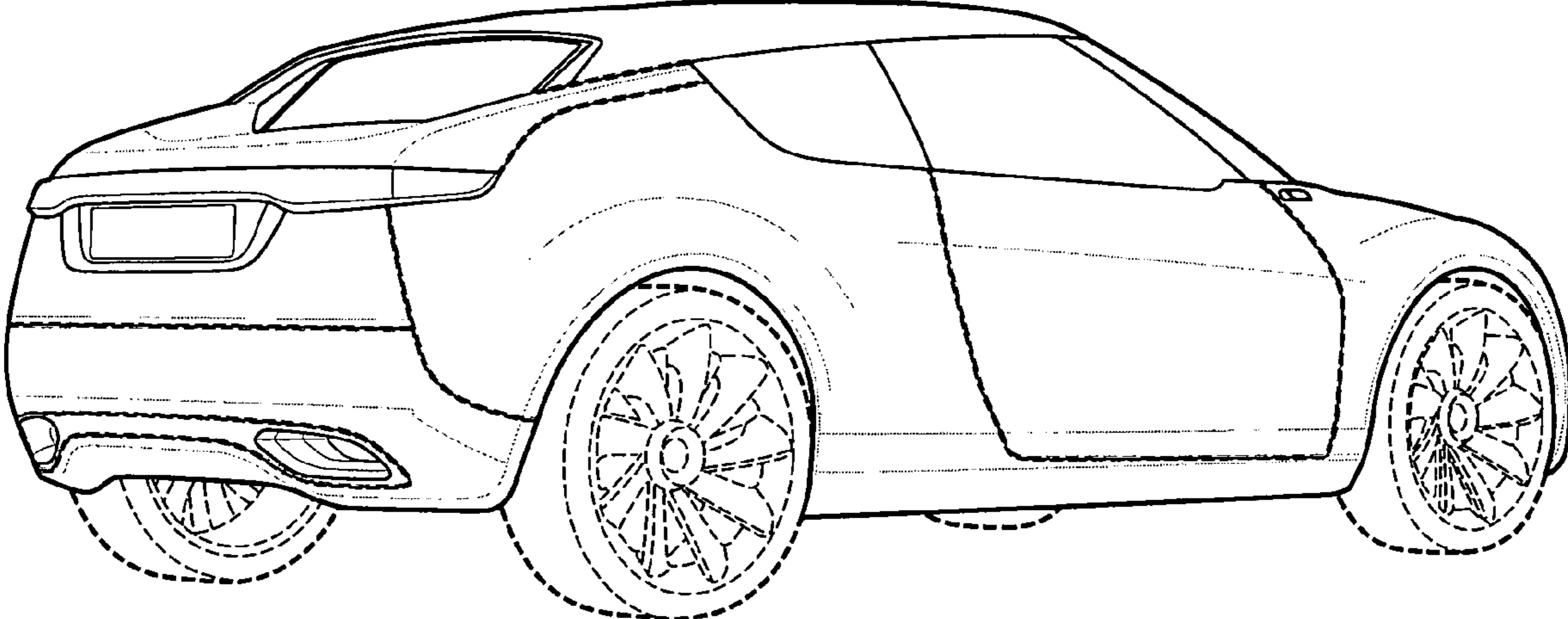


Fig. 3

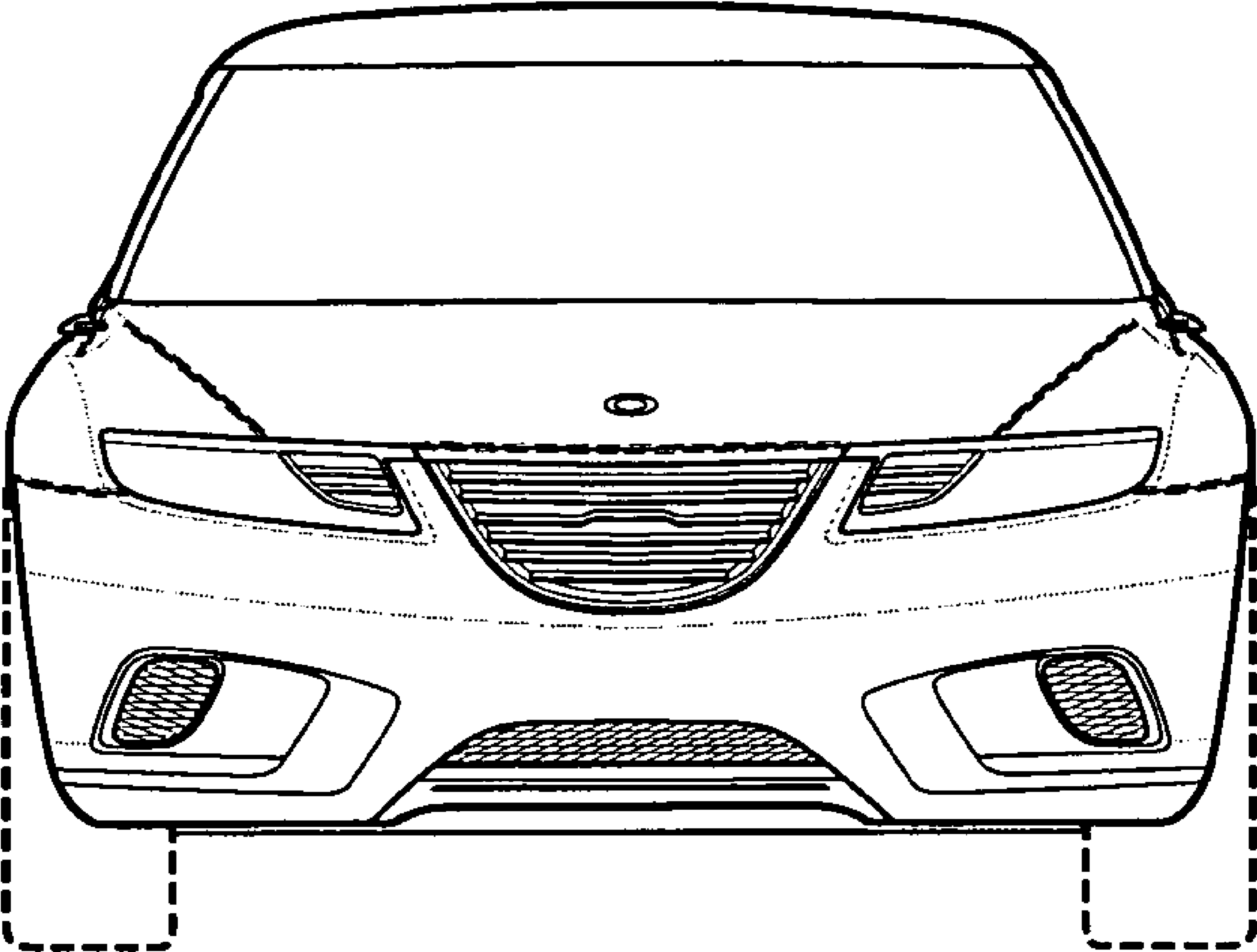


Fig. 4

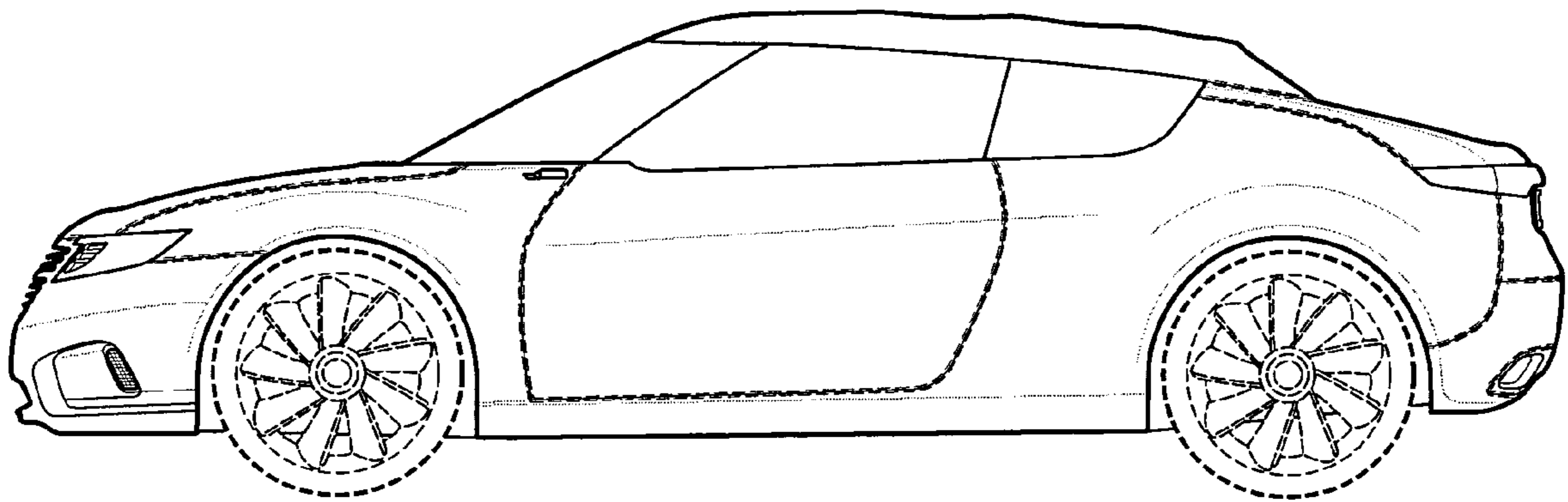


Fig. 5

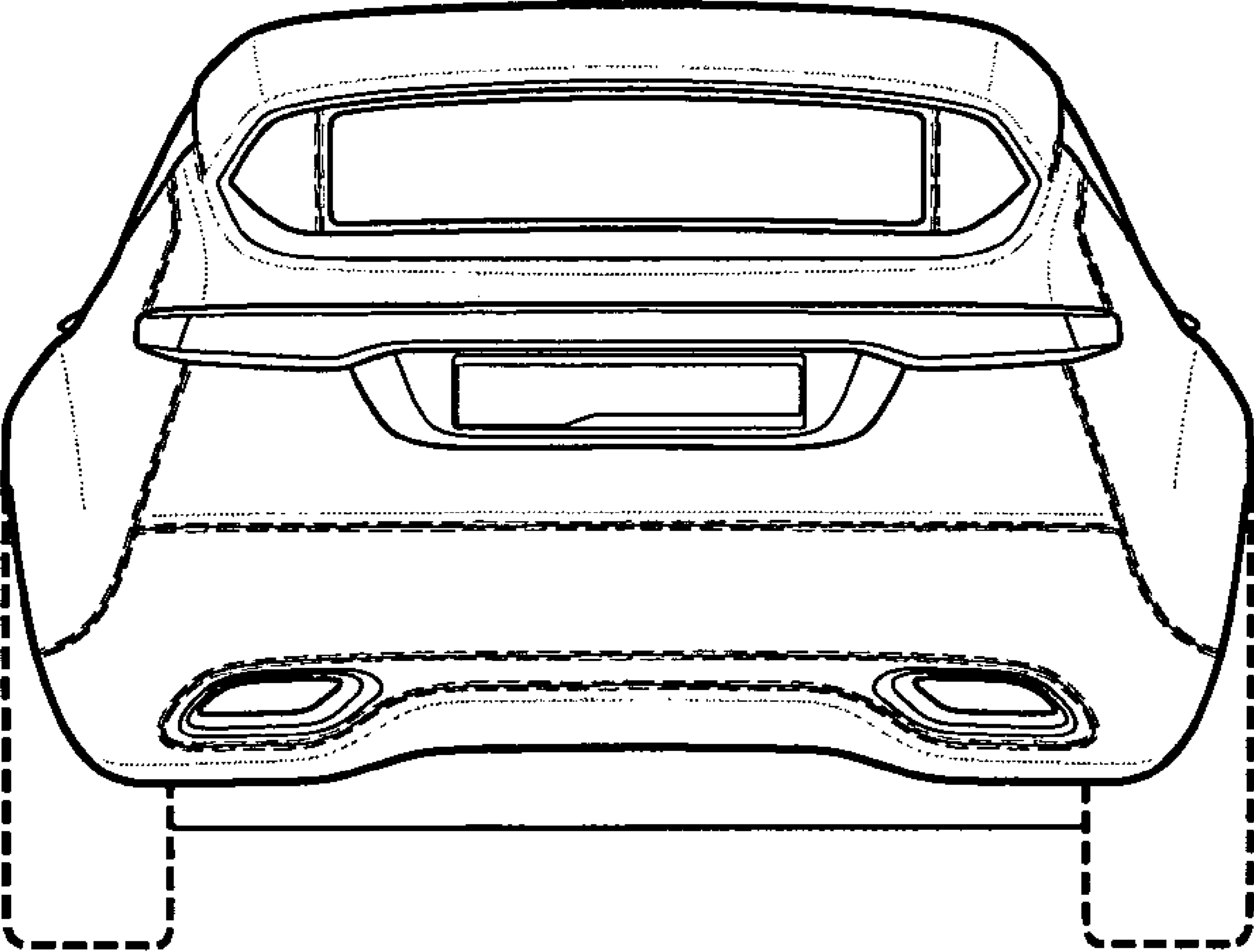


Fig. 6

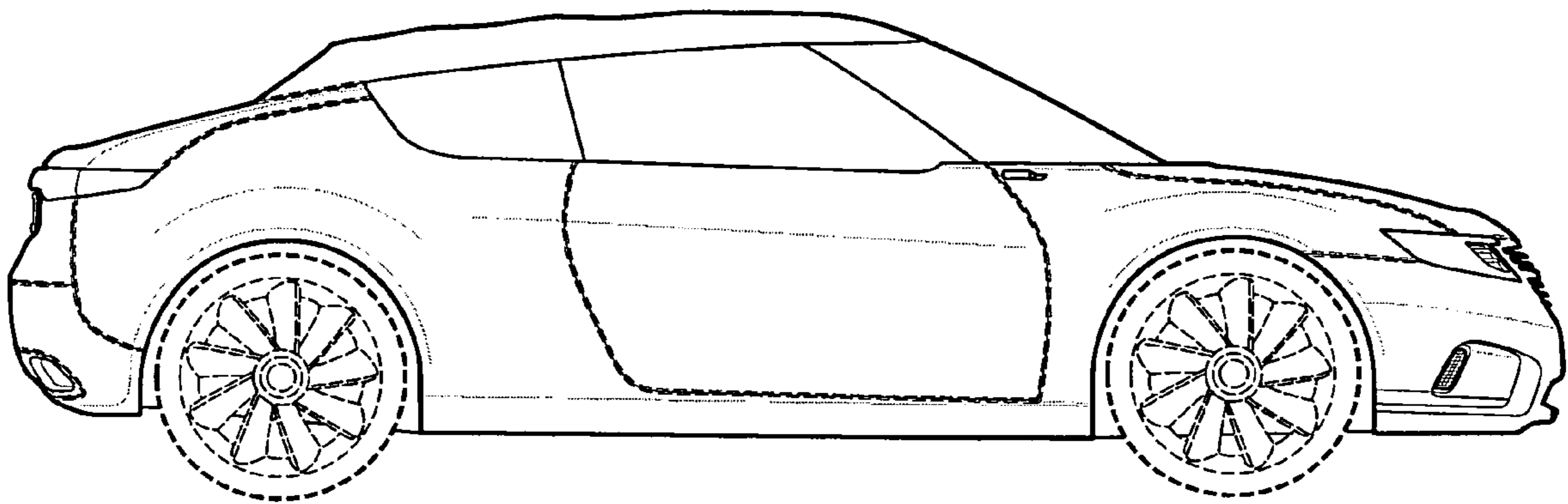


Fig. 7

