



US00D618591S

(12) **United States Design Patent**
Nagapetyan et al.

(10) **Patent No.:** **US D618,591 S**
(45) **Date of Patent:** **** Jun. 29, 2010**

(54) **AMPHIBIAN VEHICLE**

(75) Inventors: **Ruben Armenakovich Nagapetyan**,
Bulvar Kronshtadsky, 125499, g,
Moscow (RU); **Anatoly Alexeevich**
Antonov, Nizhny Novgorod (RU);
Anatoly Ivanovich Lukyanov, Nizhny
Novgorod (RU); **Alexandr Grigorievich**
Butlitsky, Nizhny Novgorod (RU);
Genrikh Lvovich Radovitsky, Nizhny
Novgorod (RU); **Dmitry Nikolaevich**
Sinitsyn, Nizhny Novgorod (RU);
Vladimir Viktorovich Tomilin, Nizhny
Novgorod (RU); **Alexandr Isaakovich**
Maskalik, Nizhny Novgorod (RU);
Alexandr Yakovlevich Volfenzon,
Nizhny Novgorod (RU); **Nikolay**
Ivanovich Zhuravlev, Nizhny Novgorod
(RU); **Leonid Ovseevich Litinsky**,
Nizhny Novgorod (RU)

D175,881 S *	10/1955	Custer	D12/339
D191,019 S *	8/1961	Thiebolt	D12/337
D192,664 S *	4/1962	Peterson	D12/338
3,627,235 A *	12/1971	Lippisch	244/12.1
D301,867 S *	6/1989	Street	D12/339
4,848,702 A *	7/1989	Riggins	244/105
D303,950 S *	10/1989	Burgess	D12/324
D317,287 S *	6/1991	Haga	D12/344
D342,934 S *	1/1994	Weitemier	D12/324
5,415,365 A *	5/1995	Ratliff	244/101
5,622,133 A *	4/1997	Sinitsyn et al.	114/272
D446,182 S *	8/2001	Adam et al.	D12/331
6,581,536 B1 *	6/2003	Belloso	114/61.1
6,732,672 B2 *	5/2004	Shin et al.	114/272
D500,729 S *	1/2005	Wilding et al.	D12/319
7,059,259 B2 *	6/2006	Allen	114/67 A
D543,248 S *	5/2007	Winston	D21/450
7,334,756 B2 *	2/2008	Martirosov	244/23 R
2003/0066471 A1 *	4/2003	Shin et al.	114/272

* cited by examiner

(73) Assignee: **Ruben Armenakovich Nagapetyan**,
Moscow (RU)

Primary Examiner—T. Chase Nelson
Assistant Examiner—Ania K Dworzecka
(74) *Attorney, Agent, or Firm*—Ladas and Parry LLP

(**) Term: **14 Years**

(21) Appl. No.: **29/263,535**

(57) **CLAIM**

(22) Filed: **Jul. 25, 2006**

We claim the ornamental design for an amphibian vehicle, as shown.

(30) **Foreign Application Priority Data**

Jan. 26, 2006 (RU) 2006500169

DESCRIPTION

(51) **LOC (9) Cl.** **12-14**

FIG. 1 is a front, top, and right side perspective view of an amphibian vehicle showing our new design;

(52) **U.S. Cl.** **D12/3**

FIG. 2 is a rear elevational view thereof;

(58) **Field of Classification Search** D21/436-454;
D12/319-345, 3, 4, 2, 1; 244/45 R, 45 A,
244/36, 13, 37

FIG. 3 is a top plan view thereof; and,

FIG. 4 is a right side elevational view thereof.

See application file for complete search history.

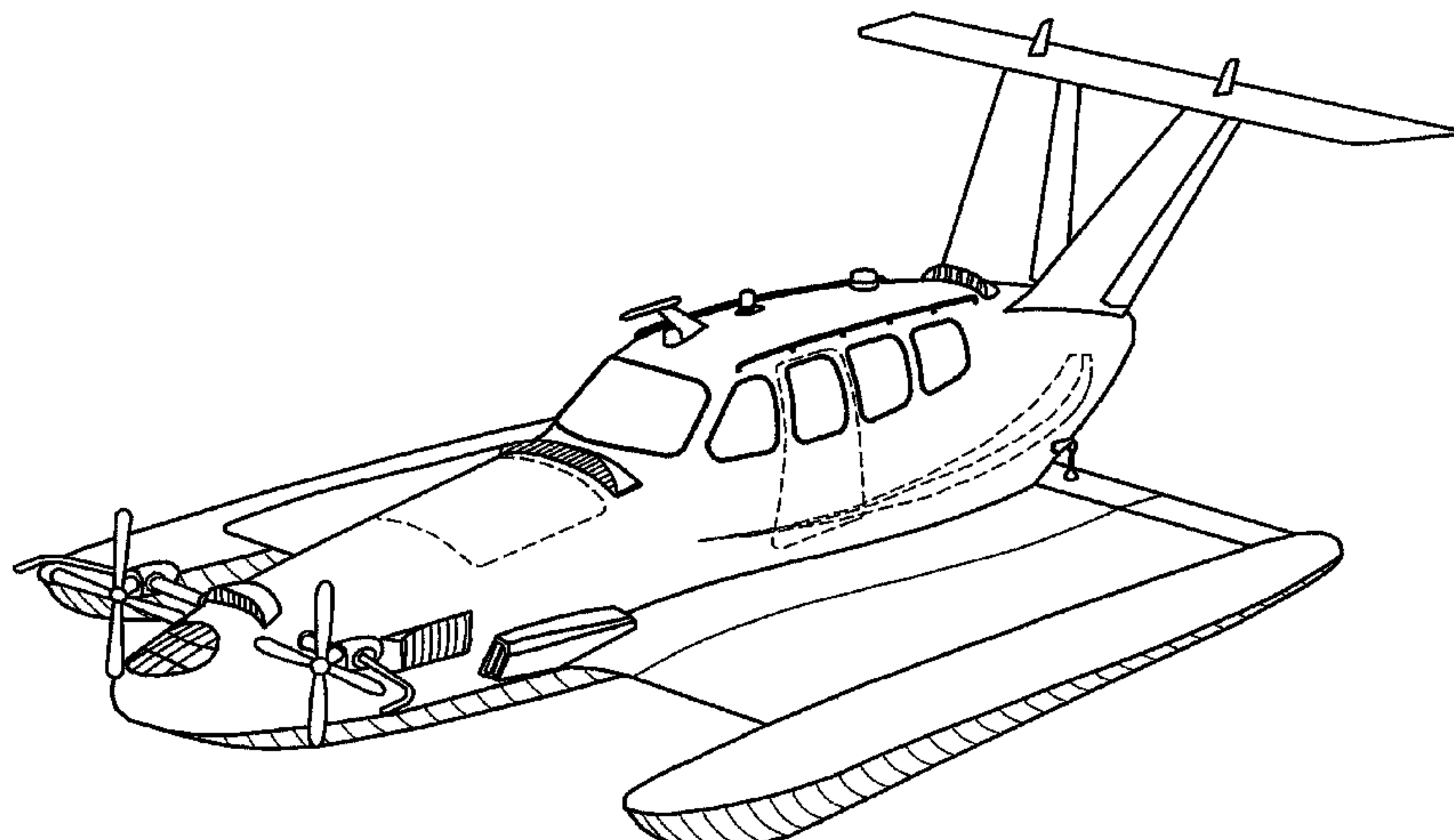
Features shown in broken lines show environmental structure and form no part of the claimed design. The oblique lines on the lower half of the vehicle are surface texture.

(56) **References Cited**

U.S. PATENT DOCUMENTS

D134,425 S * 11/1942 McDonnell, Jr. D12/339

1 Claim, 4 Drawing Sheets



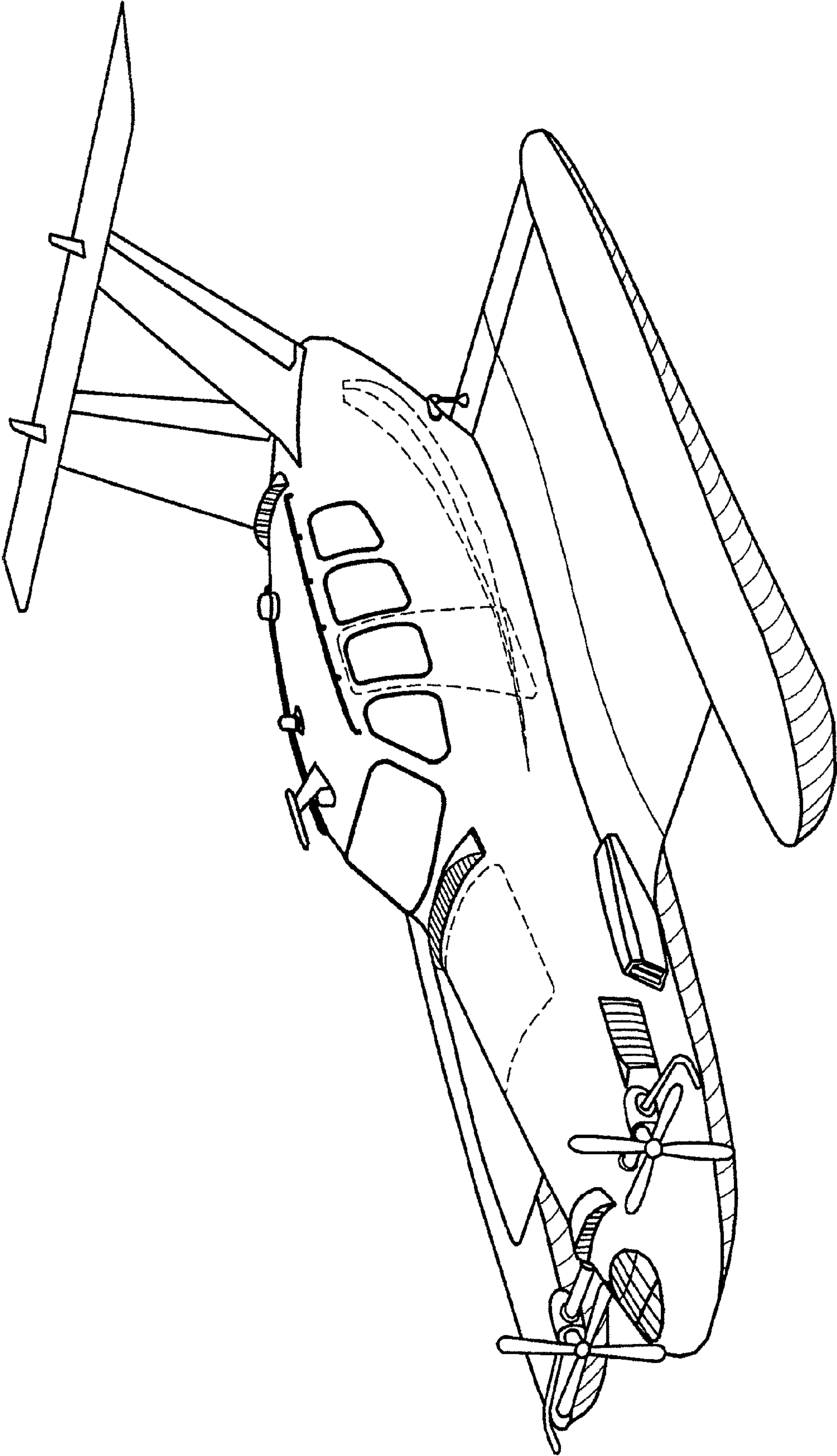


FIG. 1

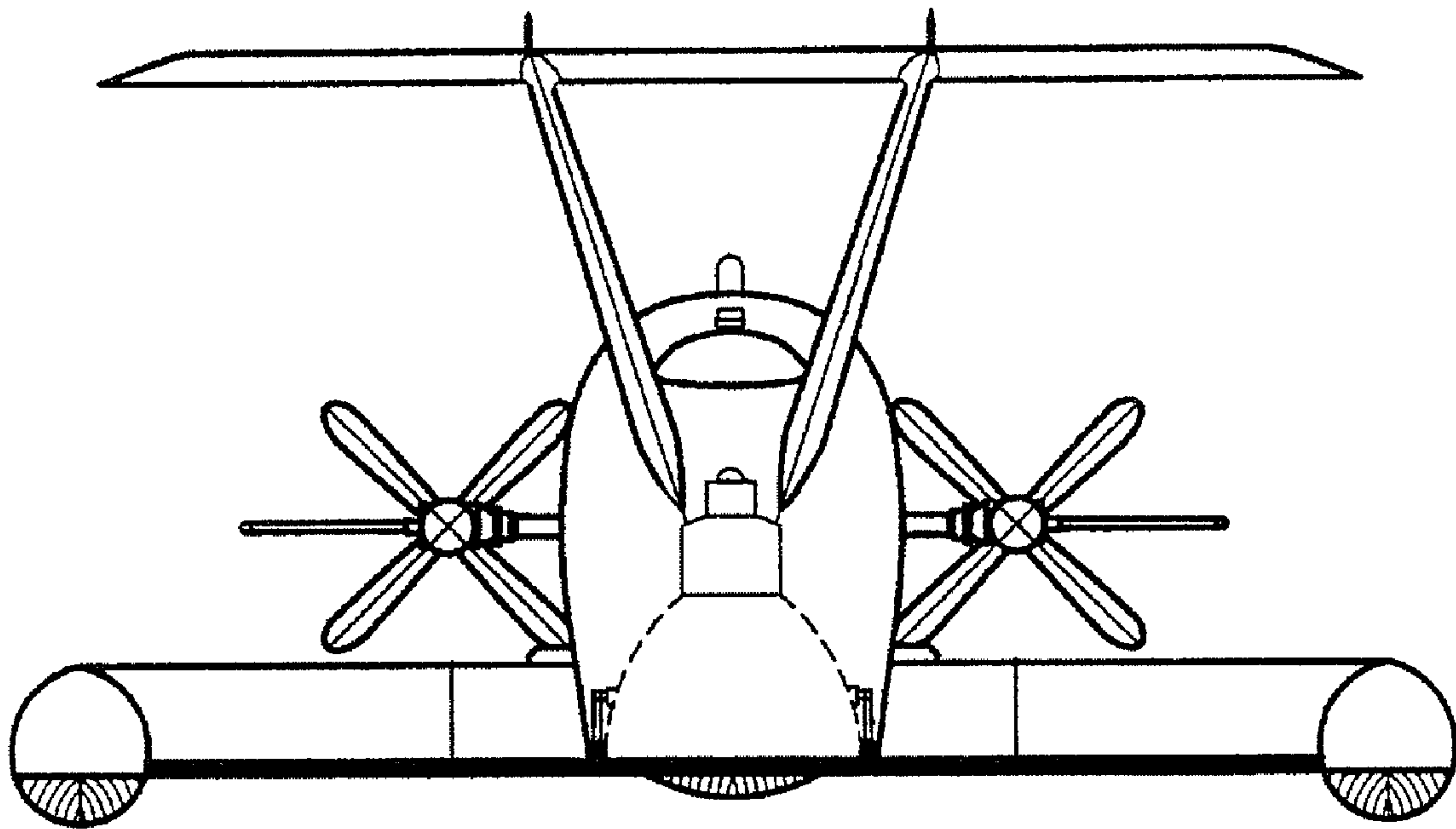


FIG. 2

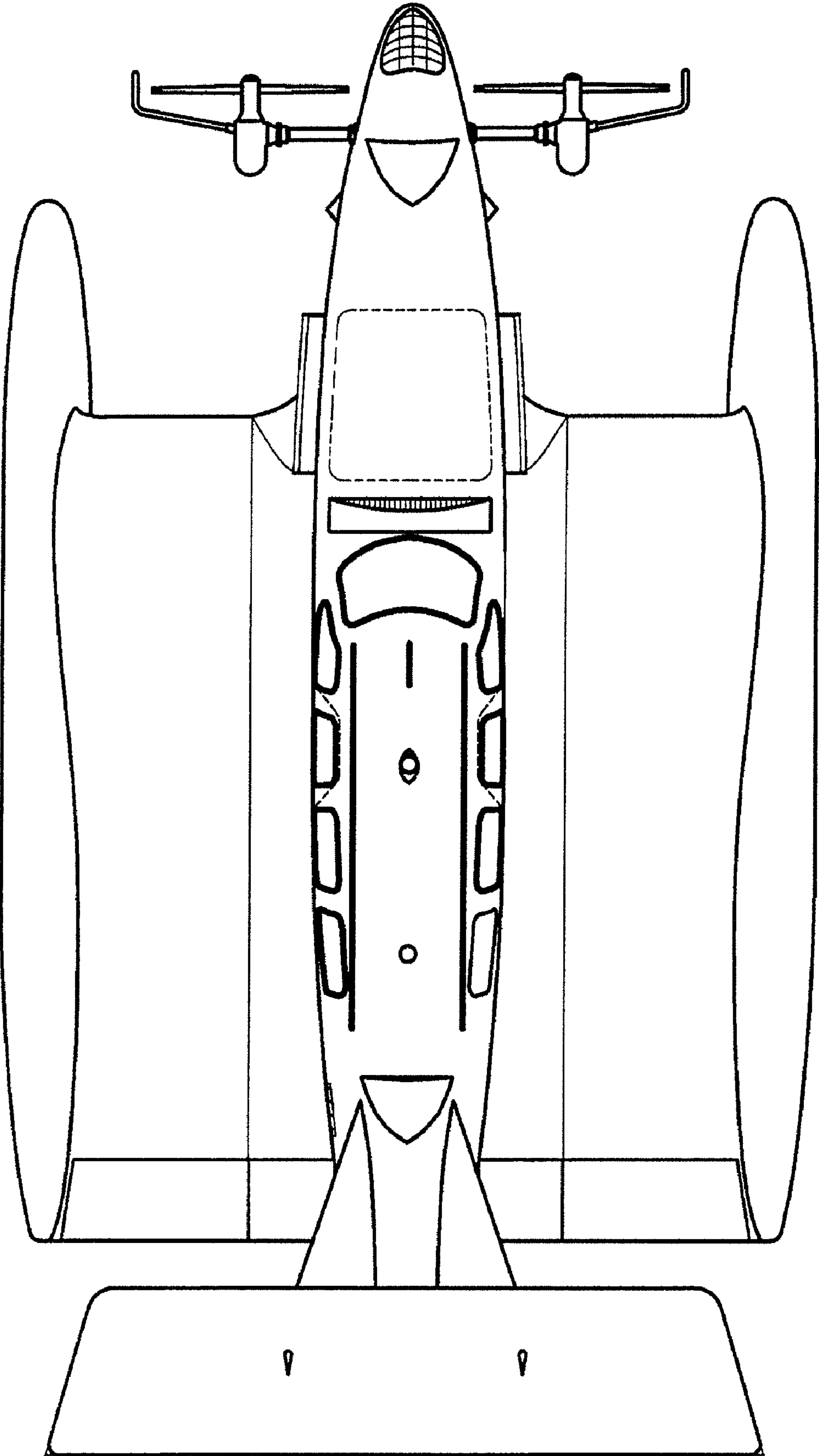


FIG. 3

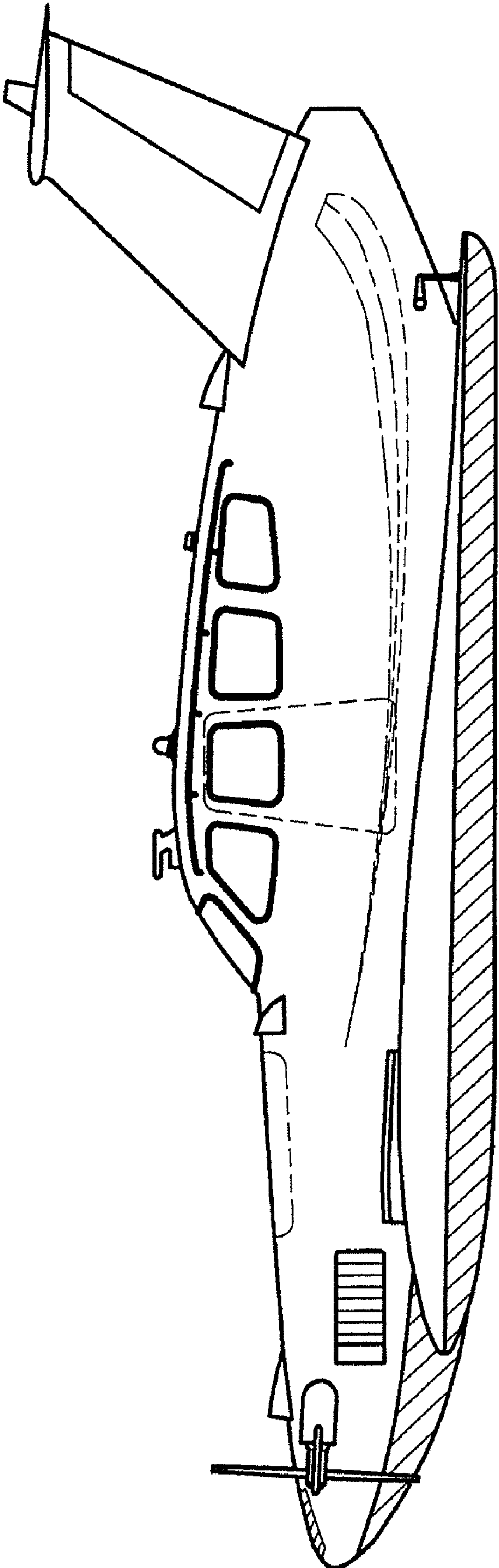


FIG. 4