



US00D618590S

(12) **United States Design Patent**
Paik

(10) **Patent No.:** **US D618,590 S**

(45) **Date of Patent:** **** Jun. 29, 2010**

(54) **MALE LATCH OF MAGNETIC BUCKLE**

D527,308 S * 8/2006 Buscart D11/216
D592,542 S * 5/2009 Pontaoe D11/216

(76) Inventor: **Jisook Paik**, 108-403 LG Zai Apartment,
Icheon-dong, Yongsan-gu, Seoul (KR)
140-774

* cited by examiner

Primary Examiner—Ralf Seifert
(74) *Attorney, Agent, or Firm*—Jae Y. Park; Kile Goekjian
Reed & McManus

(**) Term: **14 Years**

(21) Appl. No.: **29/351,667**

(57) **CLAIM**

(22) Filed: **Dec. 9, 2009**

I claim, the ornamental design for a male latch of magnetic buckle, as shown and described.

(51) **LOC (9) Cl.** **02-07**

(52) **U.S. Cl.** **D11/216**

(58) **Field of Classification Search** D11/1-2,
D11/200-201, 203-206, 210, 212, 214-219,
D11/222, 224, 226; 24/163 R, 169-171,
24/173, 177-179, 191, 194-195, 197, 200,
24/614-616, 625, 633

See application file for complete search history.

DESCRIPTION

FIG. 1 is a perspective view of a male latch of magnetic buckle, showing my new design;
FIG. 2 is a front elevational view thereof;
FIG. 3 is a rear elevational view thereof;
FIG. 4 is a left side elevational view thereof;
FIG. 5 is a right side elevational view thereof;
FIG. 6 is a top plan view thereof; and,
FIG. 7 is a bottom plan view thereof.

(56) **References Cited**

U.S. PATENT DOCUMENTS

D284,900 S * 8/1986 Chalmers et al. D11/200
6,698,966 B2 * 3/2004 Hilton et al. 403/321
D521,410 S * 5/2006 Nottingham et al. D11/216

1 Claim, 2 Drawing Sheets

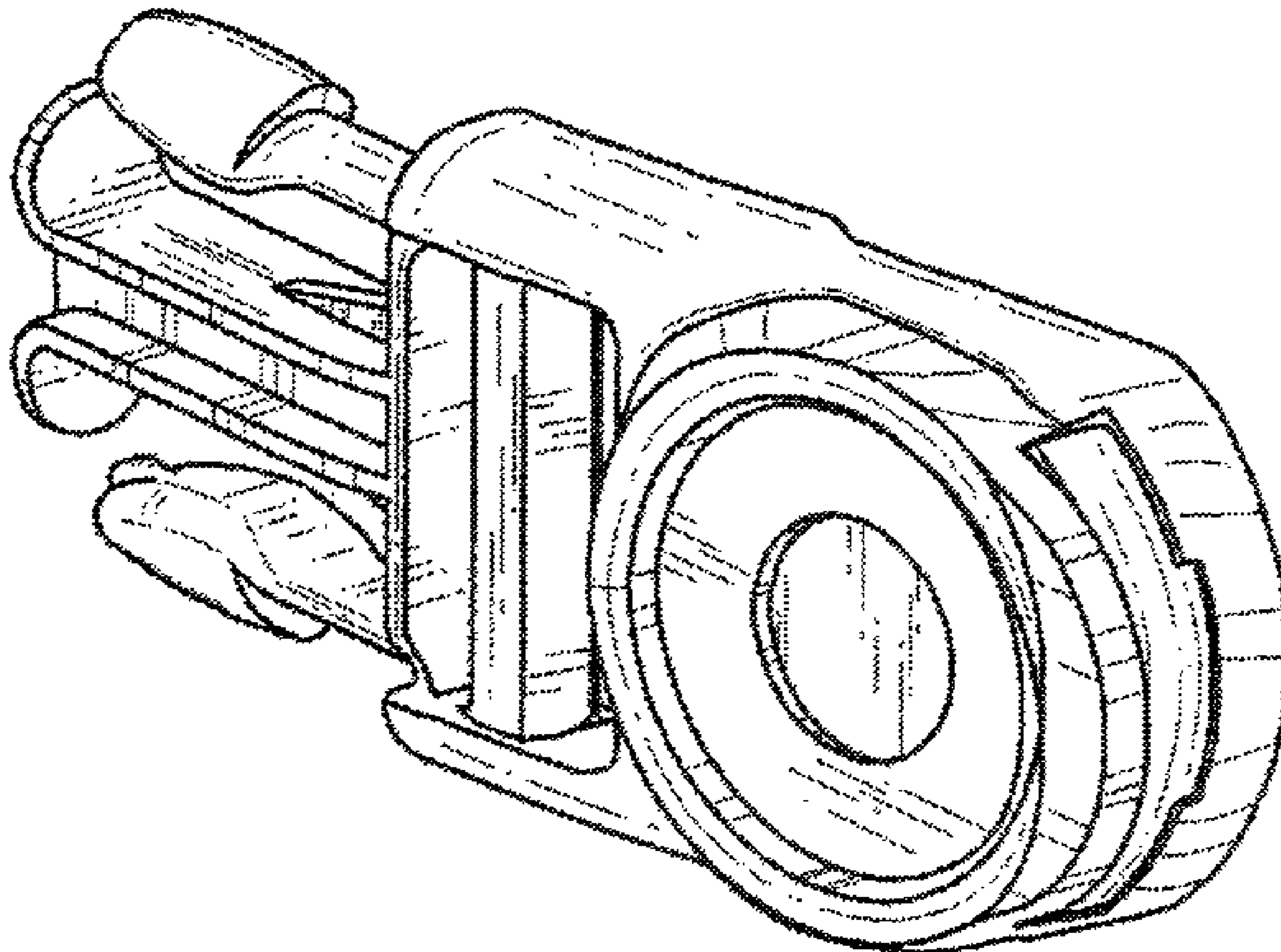


Fig. 1

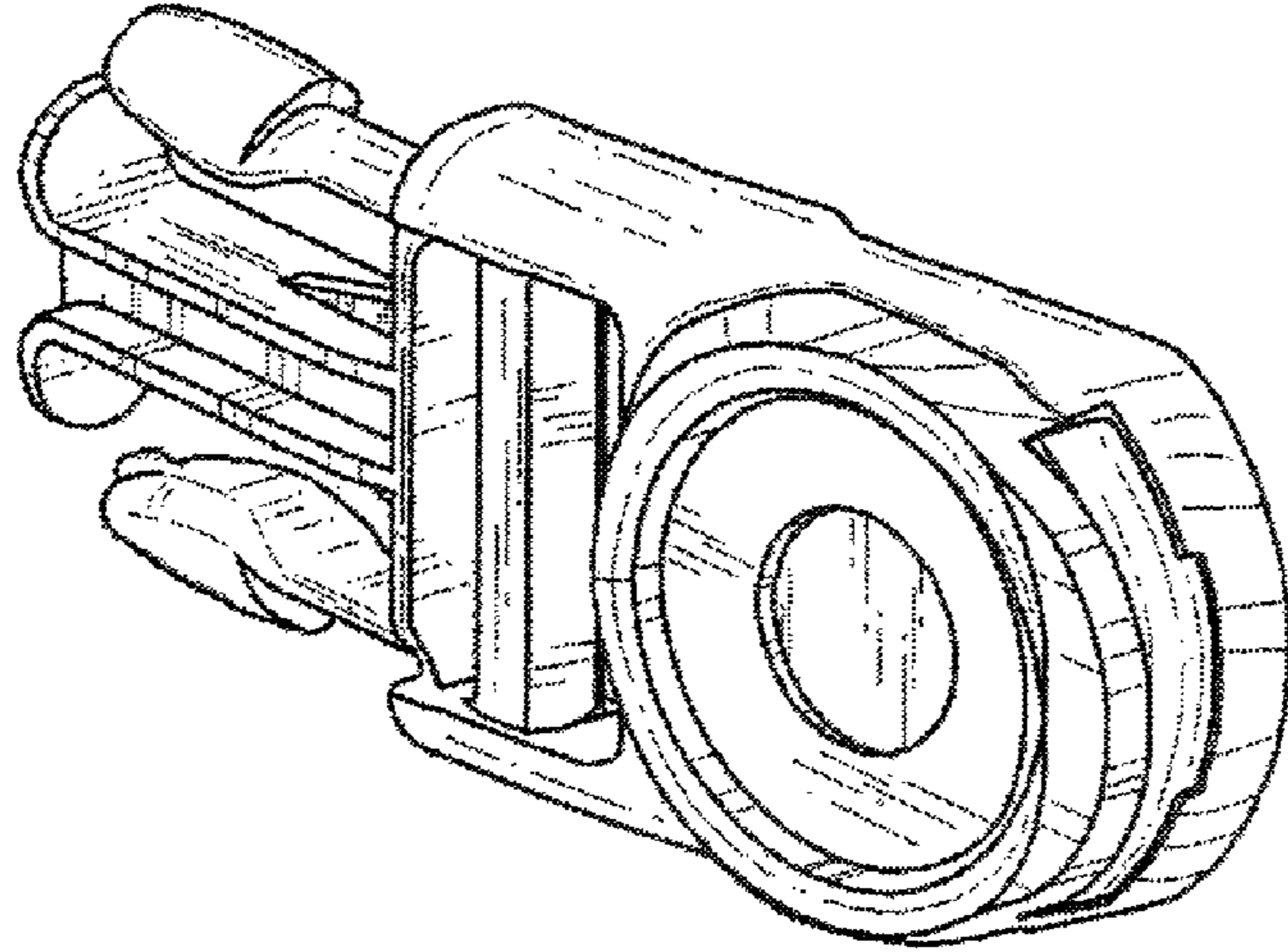


Fig. 2

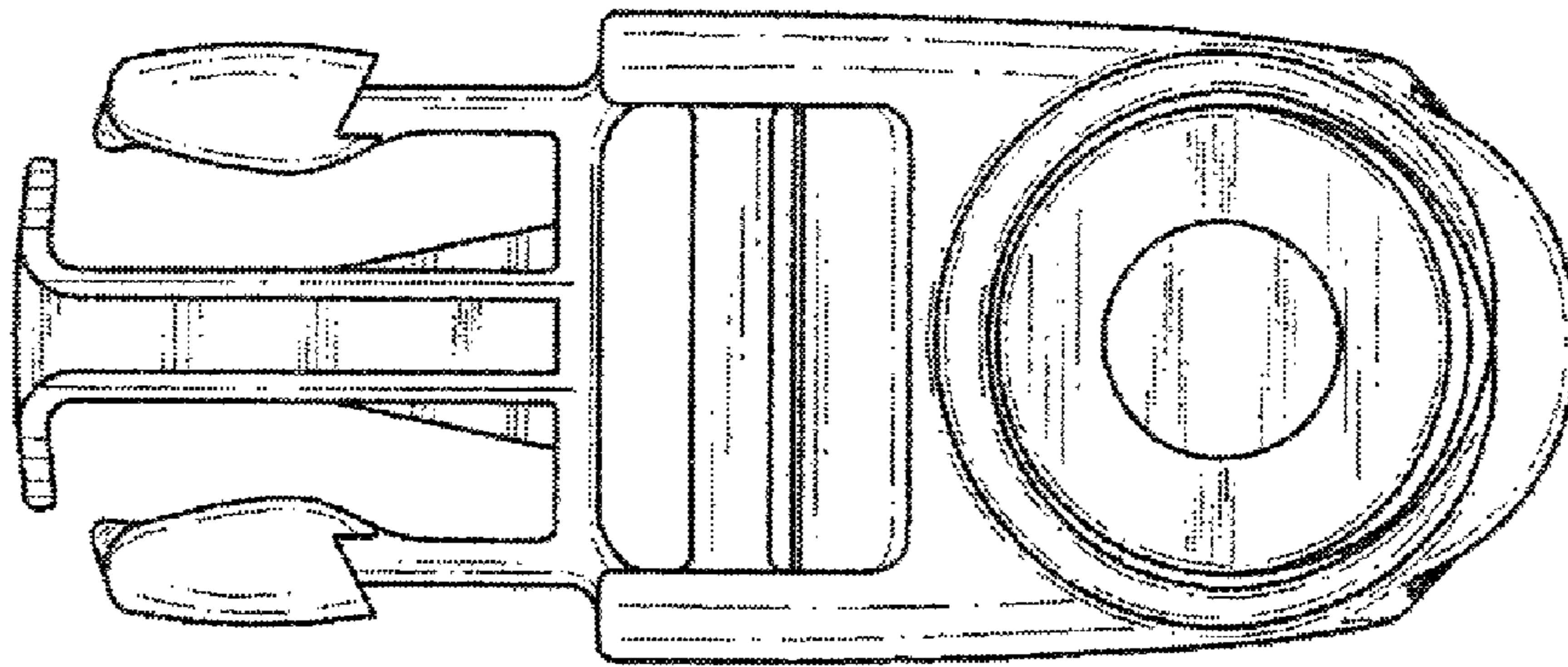


Fig. 3

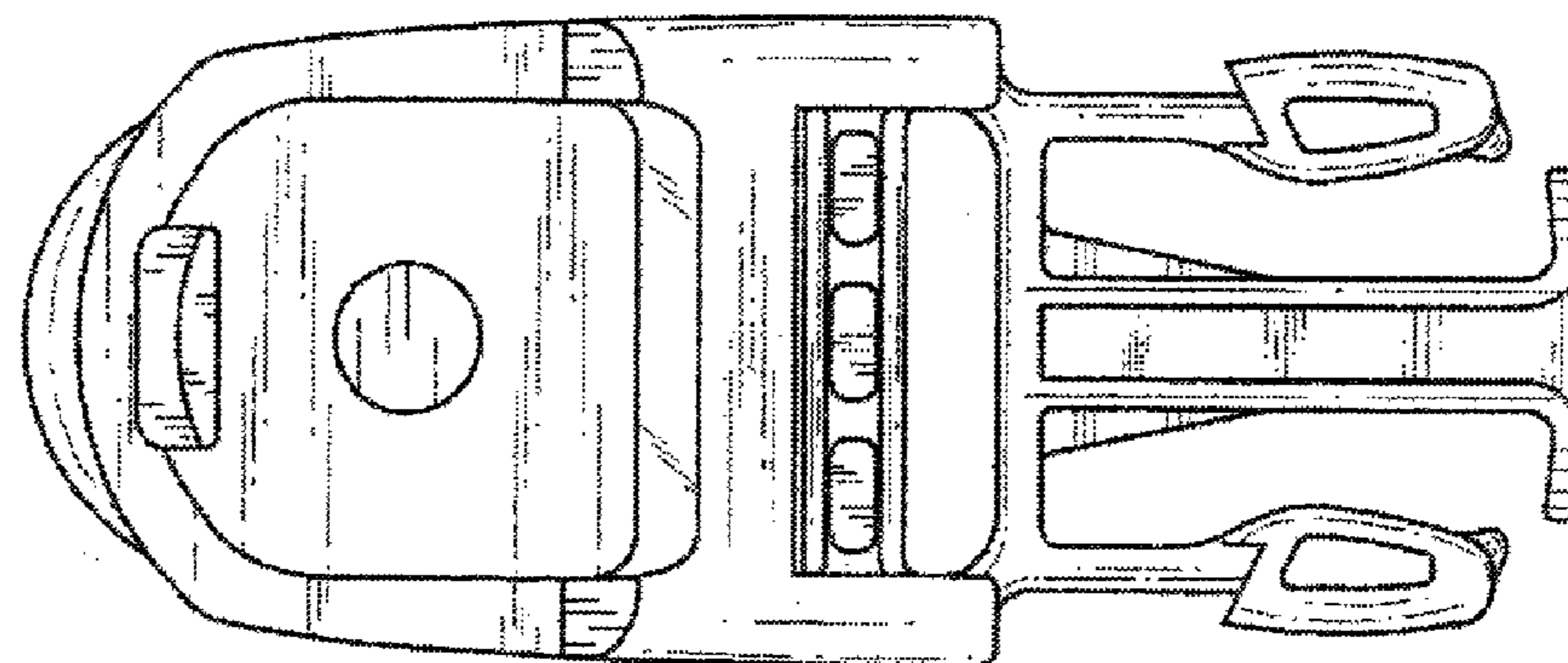


Fig. 4

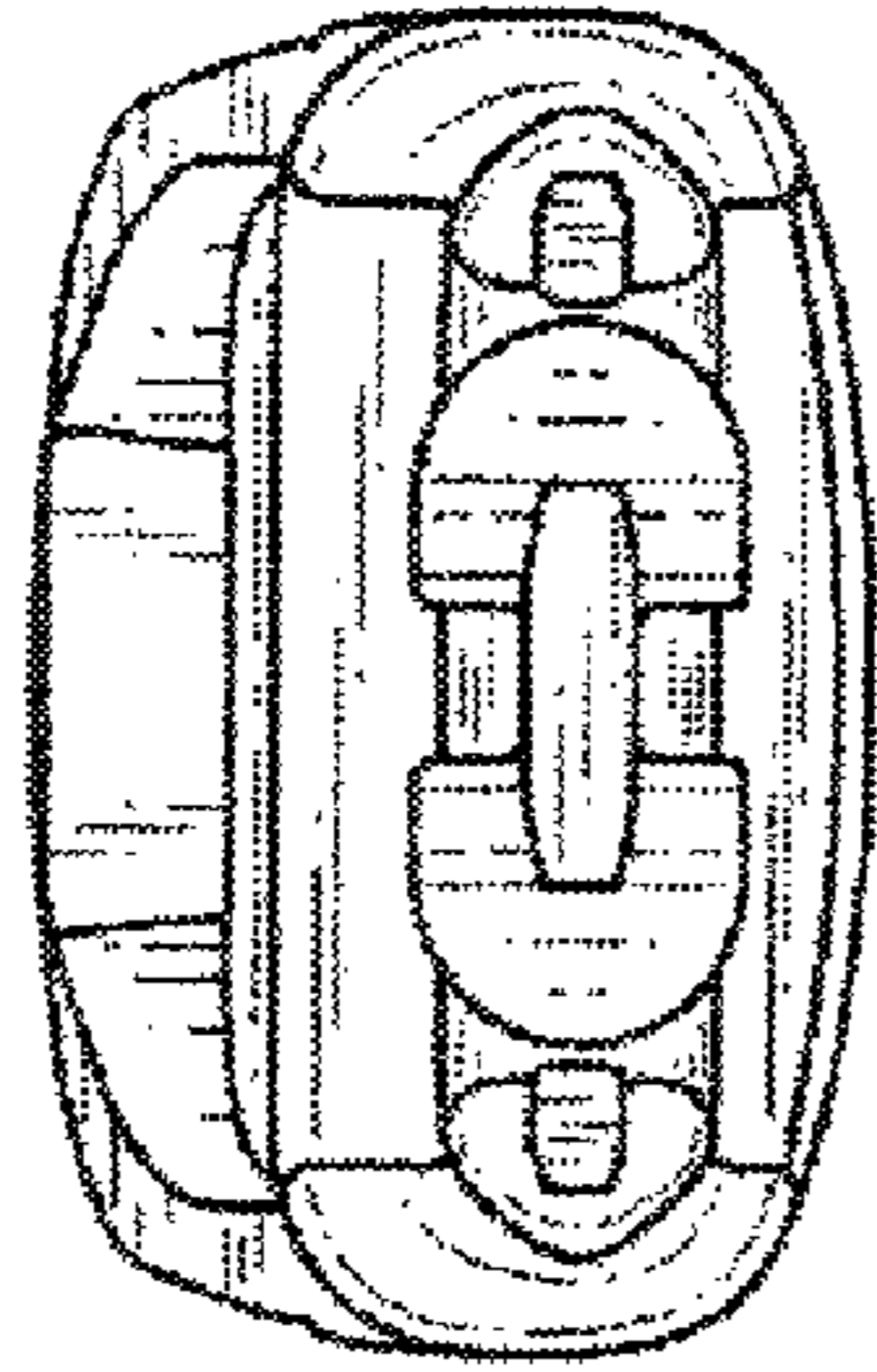


Fig. 5

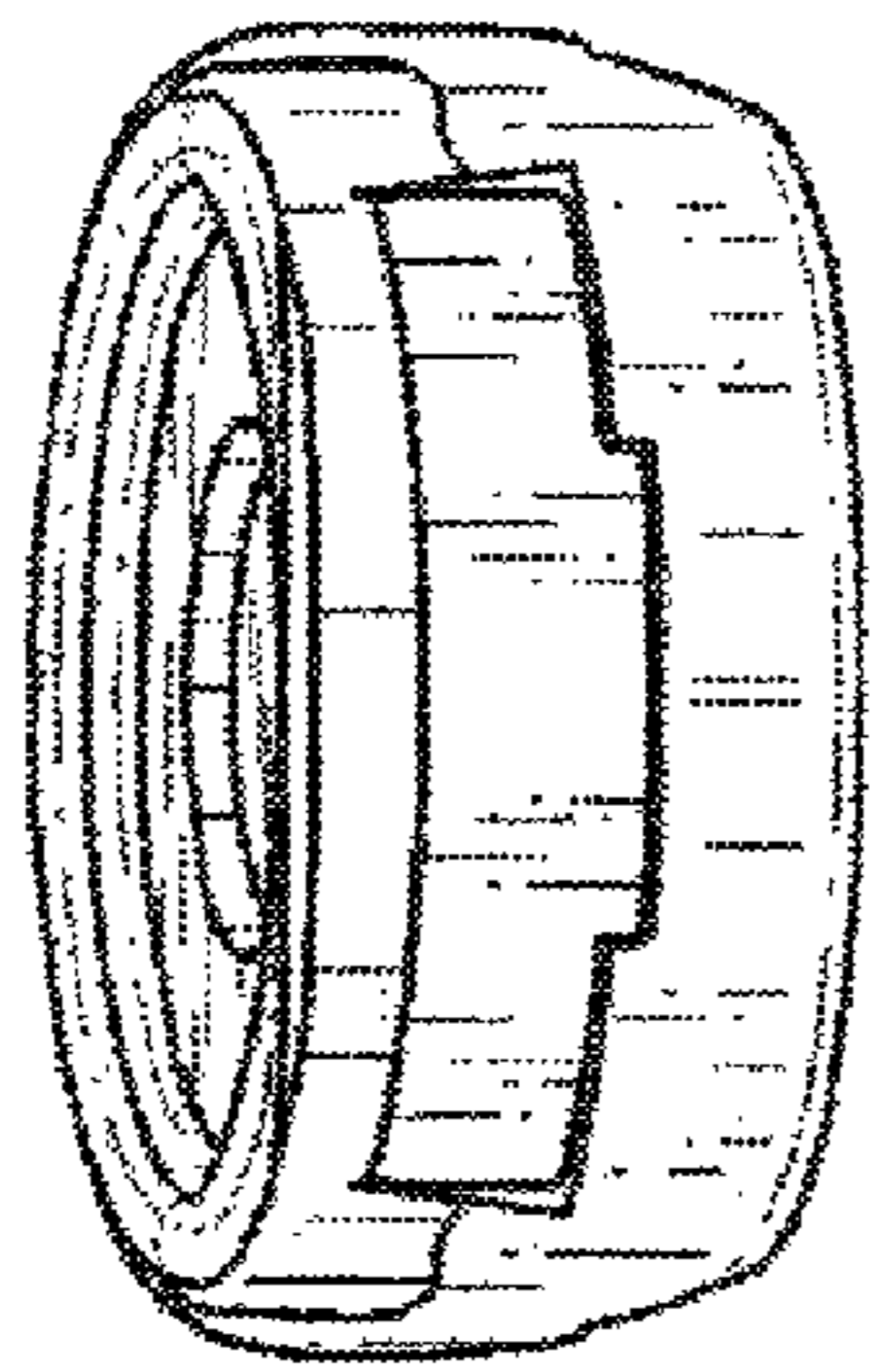


Fig. 6

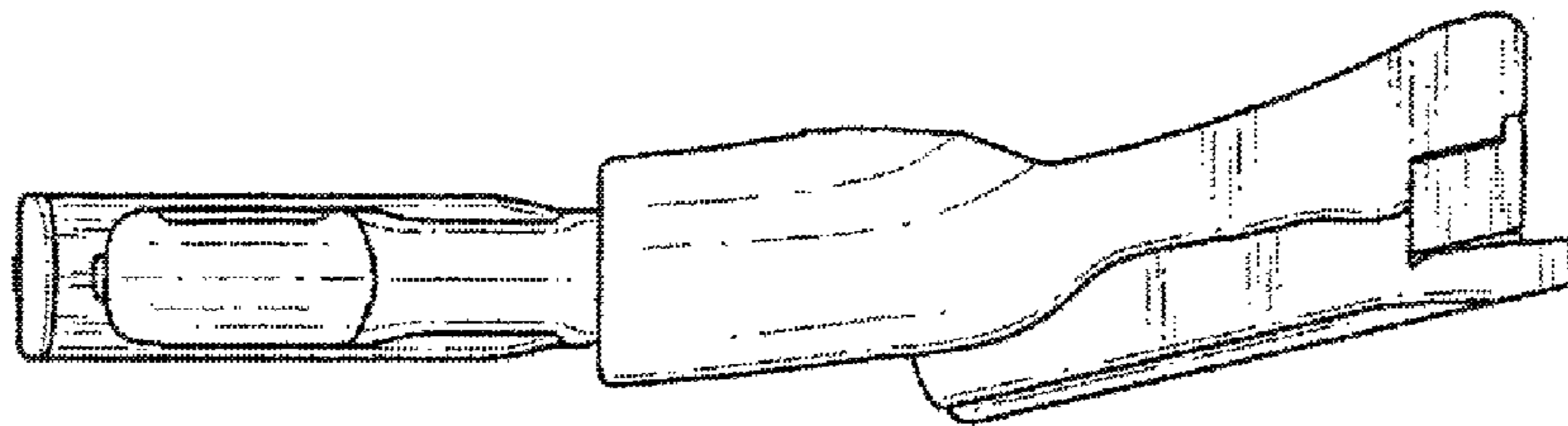


Fig. 7

