



US00D618589S

(12) **United States Design Patent**
Paik

(10) **Patent No.:** **US D618,589 S**

(45) **Date of Patent:** **** Jun. 29, 2010**

(54) **MALE LATCH OF BUCKLE**

D563,269 S * 3/2008 Anscher D11/216

(76) Inventor: **Jisook Paik**, 108-403 LG Zai Apartment,
Icheon-dong, Yongsan-gu, Seoul (KR)
140-774

* cited by examiner

Primary Examiner—Ralf Seifert
(74) *Attorney, Agent, or Firm*—Yae Y Park; Kile Goekjian
Reed & McManus

(**) Term: **14 Years**

(57) **CLAIM**

(21) Appl. No.: **29/343,122**

I claim, the ornamental design for a male latch of buckle, as shown and described.

(22) Filed: **Sep. 8, 2009**

(51) **LOC (9) Cl.** **02-07**

(52) **U.S. Cl.** **D11/216**

(58) **Field of Classification Search** D11/1-2,
D11/200-201, 203-206, 210, 212, 214-219,
D11/222, 224, 226; 24/163 R, 169-171,
24/173, 177-179, 191, 194-195, 197, 200,
24/614-616, 625, 633

DESCRIPTION

See application file for complete search history.

FIG. 1 is a top and front perspective view of a male latch of buckle, showing my new design;

FIG. 2 is a front elevation view thereof;

FIG. 3 is a rear elevation view thereof;

FIG. 4 is a left side elevation view thereof;

FIG. 5 is a cross-sectional view of the male latch of buckle when viewed from the right side thereof;

FIG. 6 is a top plan view thereof; and,

FIG. 7 is a bottom plan view thereof.

The broken lines shown in the above FIGURES are for illustrative purposes only and form no part of the claimed design.

(56) **References Cited**

U.S. PATENT DOCUMENTS

D405,724 S * 2/1999 Anscher D11/216
D502,981 S * 3/2005 Chambers, Sr. D22/132
D536,279 S * 2/2007 Grimm D11/216

1 Claim, 3 Drawing Sheets

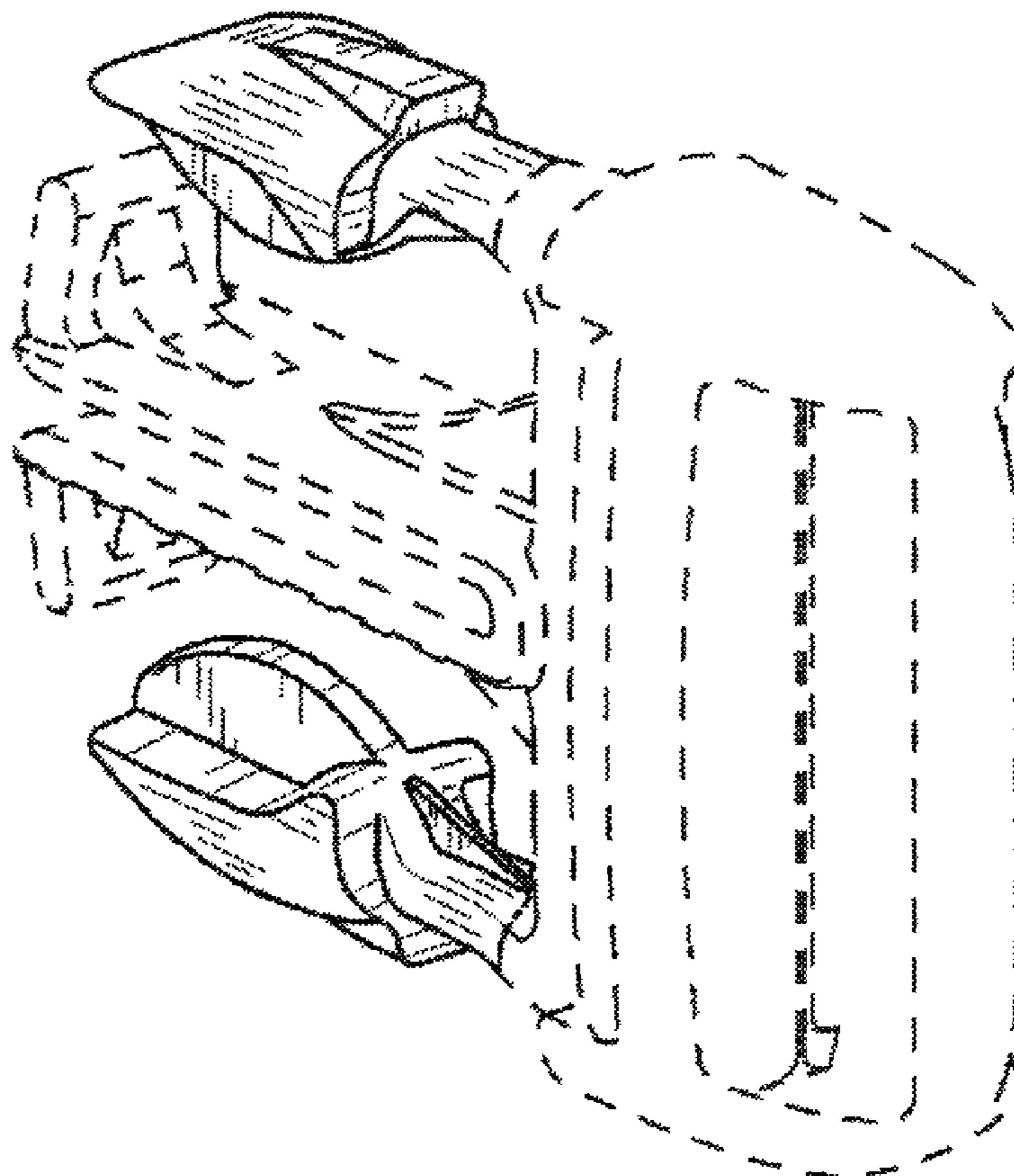


Fig. 1

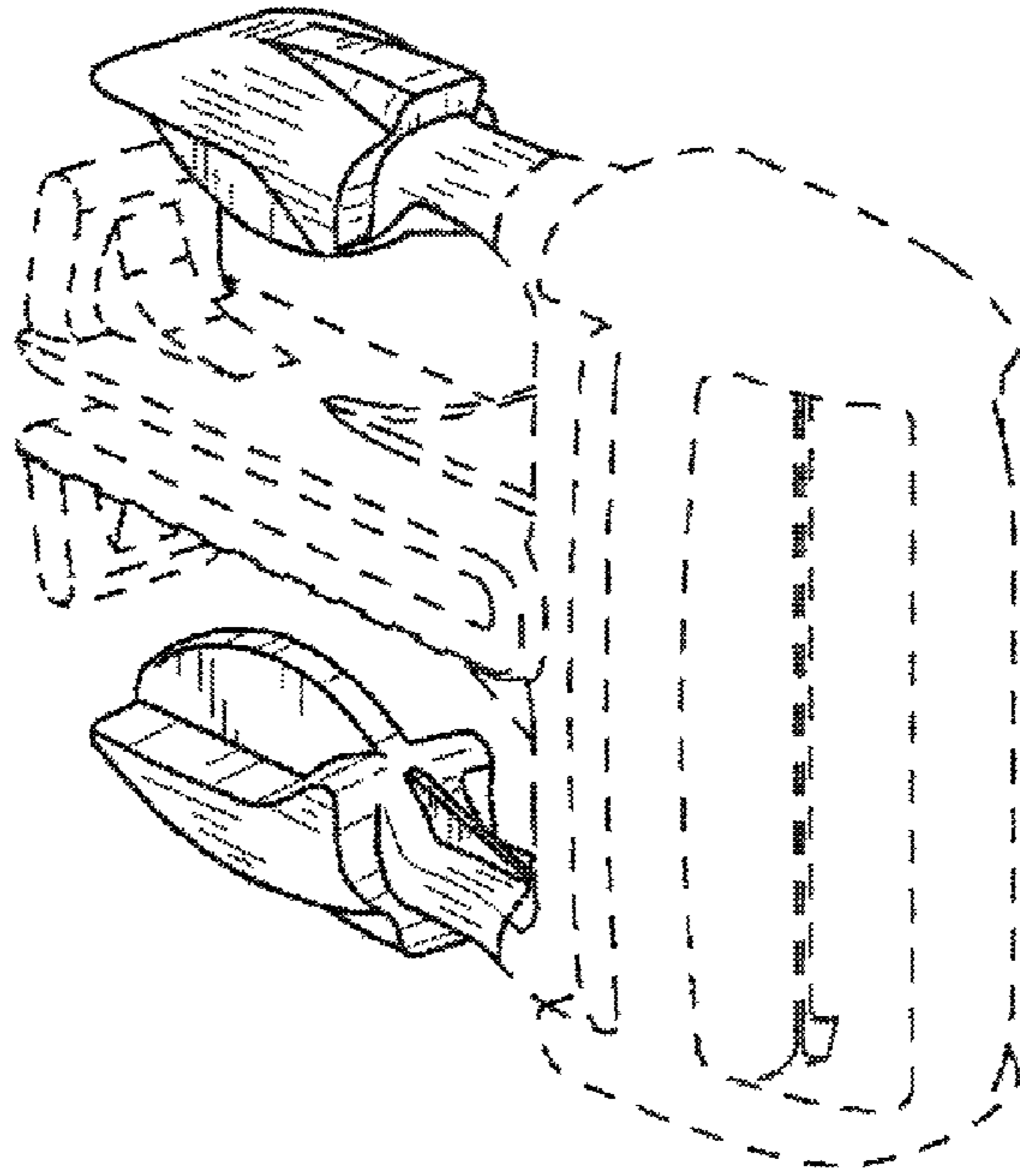


Fig. 2

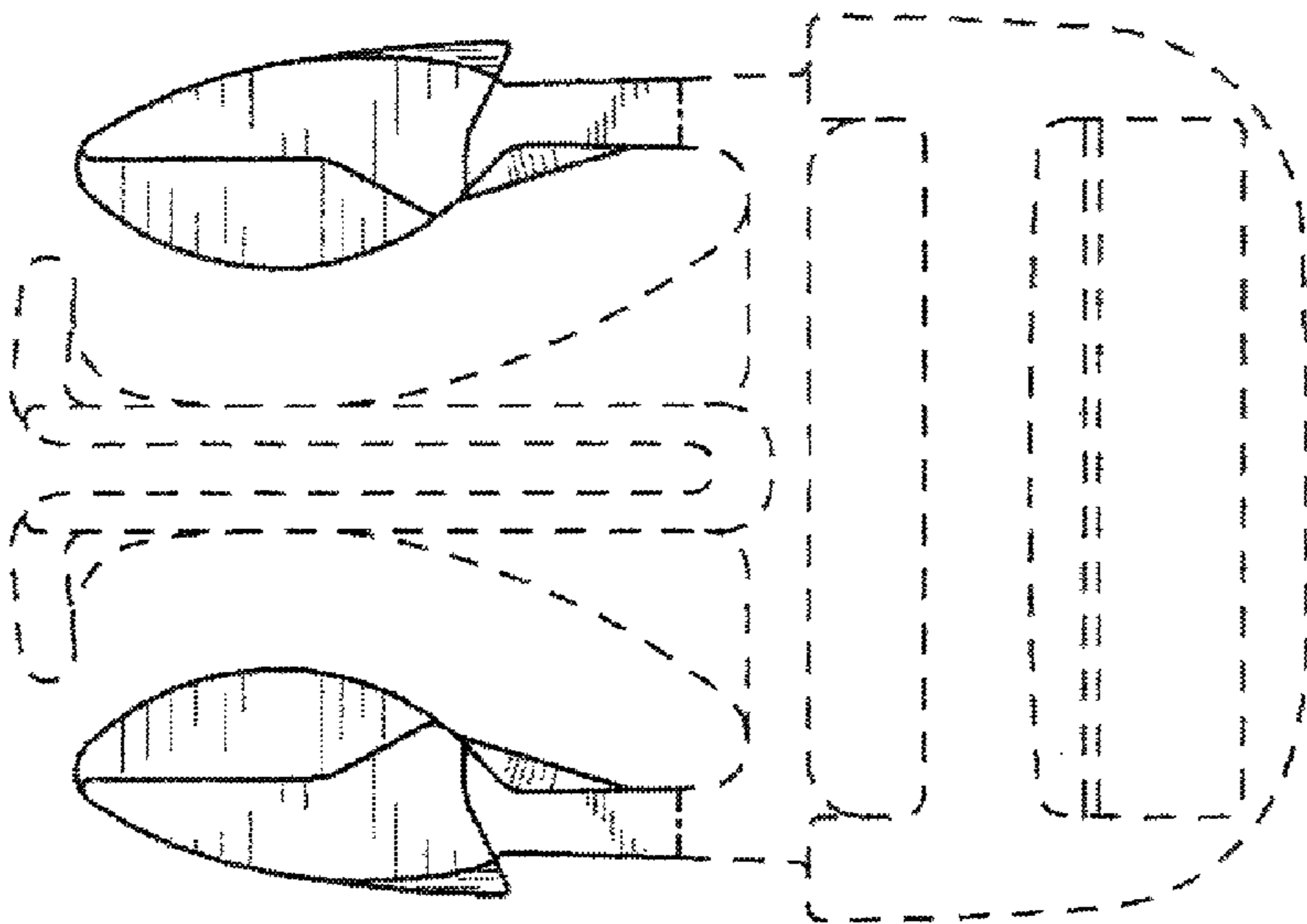


Fig. 3

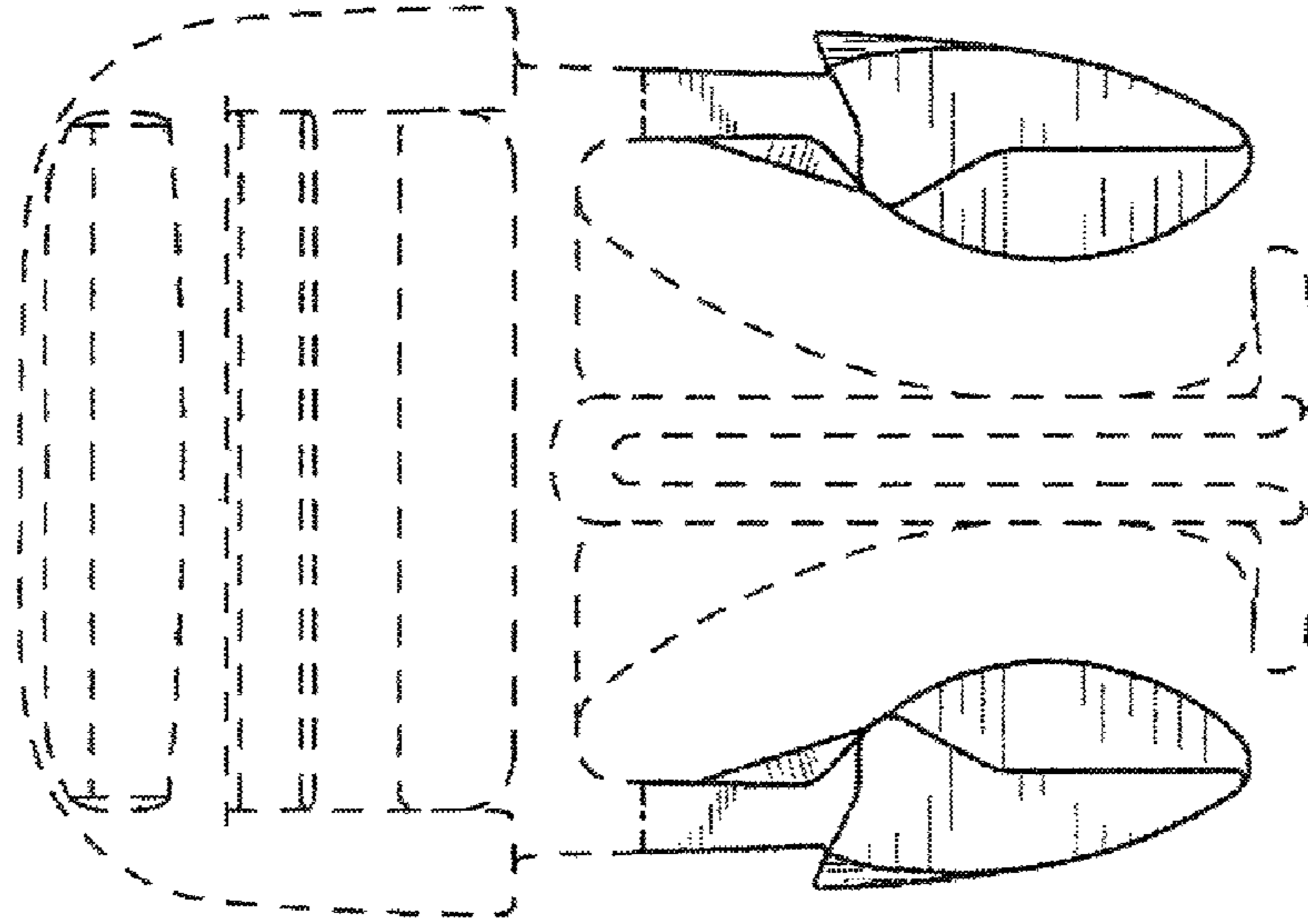


Fig. 4

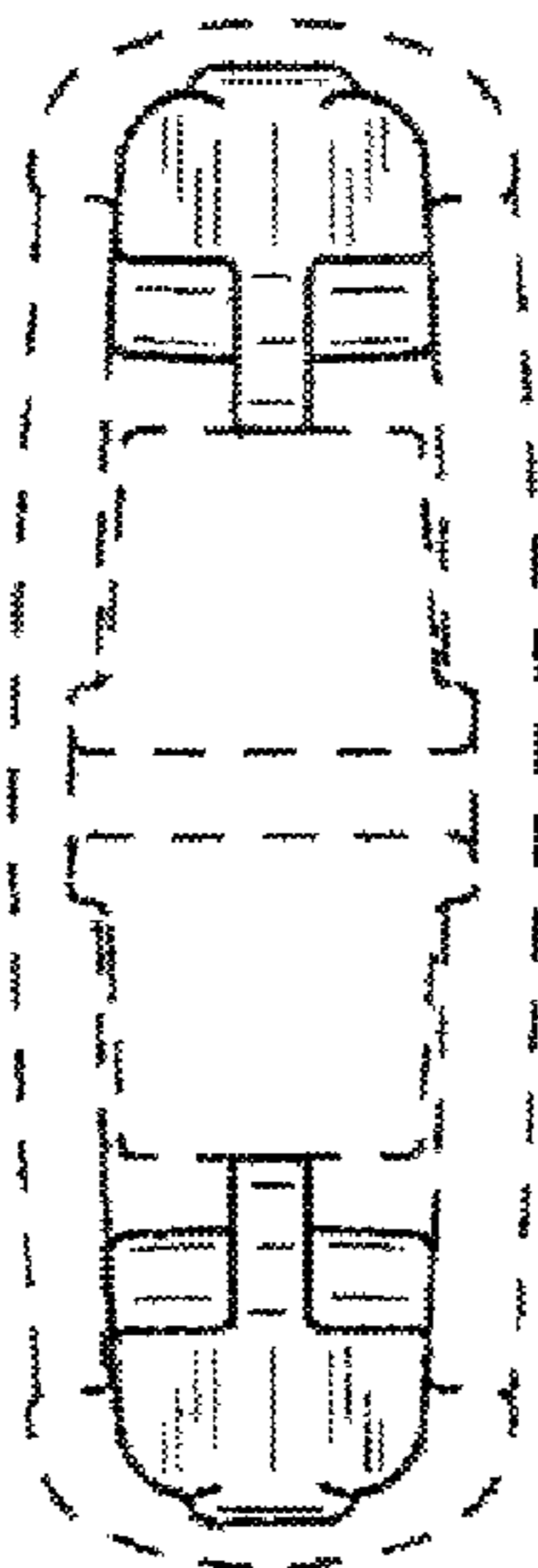


Fig. 5

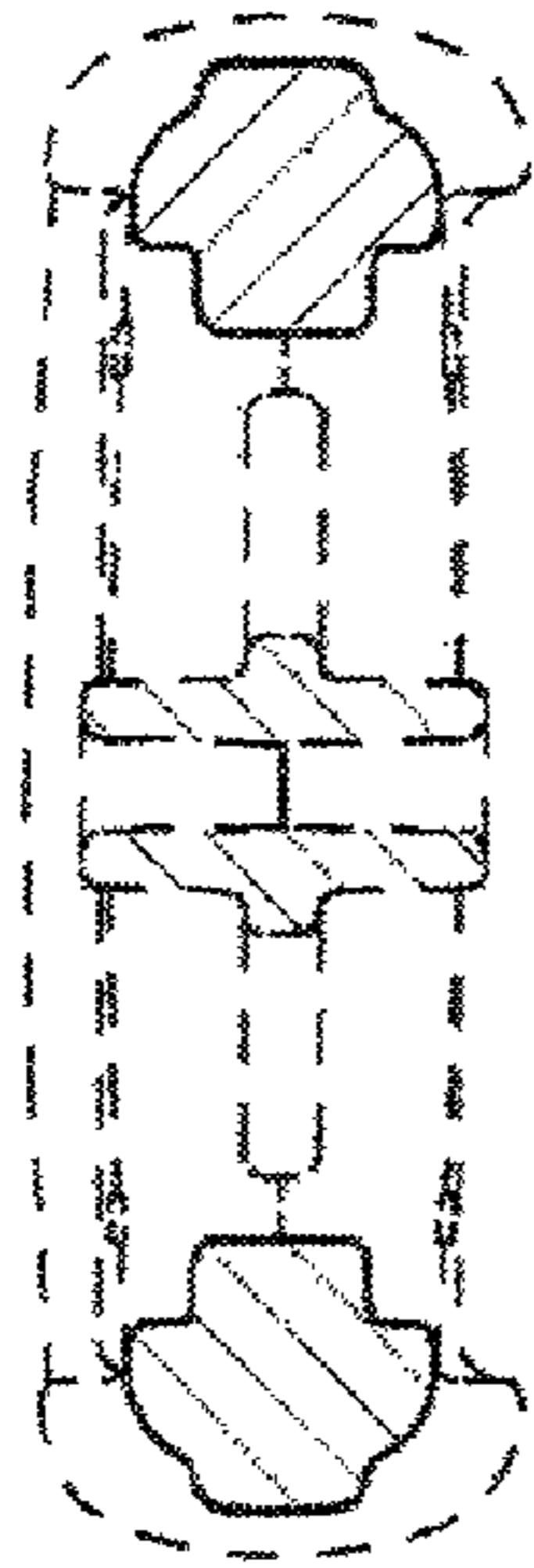


Fig. 6

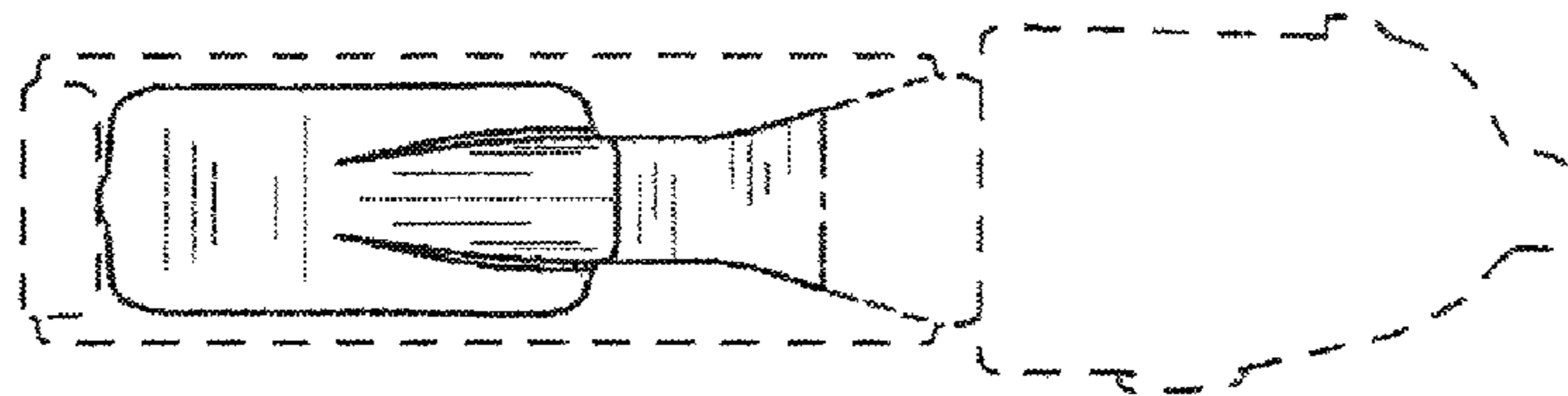


Fig. 7

