



US00D618588S

(12) **United States Design Patent**
Paik

(10) **Patent No.:** **US D618,588 S**
(45) **Date of Patent:** **** Jun. 29, 2010**

(54) **MALE LATCH OF Y-BUCKLE**

D563,269 S * 3/2008 Anscher D11/216

(76) Inventor: **Jisook Paik**, 108-403 LG Zai Apartment,
Icheon-dong, Yongsan-gu, Seoul (KR)
140-774

* cited by examiner

Primary Examiner—Ralf Seifert
(74) *Attorney, Agent, or Firm*—Jae Y. Park; Kile Goekjian
Reed & McManus

(**) Term: **14 Years**

(21) Appl. No.: **29/342,739**

(57) **CLAIM**

(22) Filed: **Aug. 31, 2009**

I claim, the ornamental design for a male latch of Y-buckle, as shown and described.

(30) **Foreign Application Priority Data**

Apr. 11, 2009 (KR) 30-2009-0015399

DESCRIPTION

(51) **LOC (9) Cl.** **02-07**

FIG. 1 is a perspective view of a male latch of Y-buckle, showing my new design;

(52) **U.S. Cl.** **D11/216**

FIG. 2 is a front elevational view thereof;

(58) **Field of Classification Search** D11/1-2,
D11/200-201, 203-206, 210, 212, 214-219,
D11/222, 224, 226; 24/163 R, 169-171,
24/173, 177-179, 191, 194-195, 197, 200,
24/614-616, 625, 633

FIG. 3 is a rear elevational view thereof;

FIG. 4 is a left side elevational view thereof;

FIG. 5 is a right side elevational view thereof;

FIG. 6 is a top plan view thereof;

FIG. 7 is a bottom plan view thereof;

See application file for complete search history.

FIG. 8 is a cross-sectional view thereof taken along line 'A—A' in FIG. 2; and,

(56) **References Cited**

U.S. PATENT DOCUMENTS

D386,124 S * 11/1997 Anscher D11/216
D386,125 S * 11/1997 Anscher D11/218
D493,385 S * 7/2004 Uehara et al. D11/216
D536,279 S * 2/2007 Grimm D11/216

FIG. 9 is a reference perspective view showing the male latch of Y-buckle coupled with a female receptacle of the Y-buckle.

The broken lines shown in FIG. 9 are for illustrative purposes only and form no part of the claimed design.

1 Claim, 3 Drawing Sheets

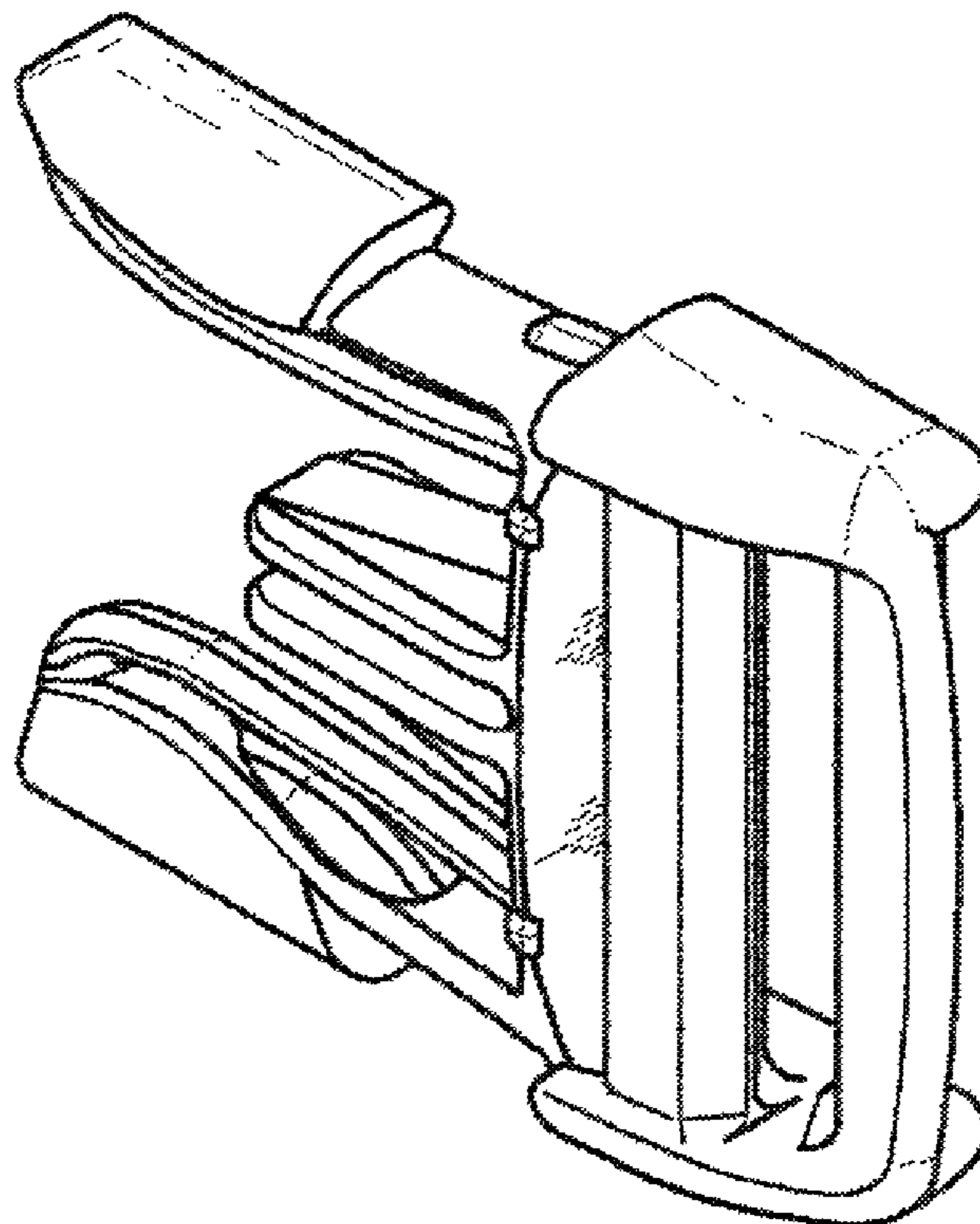


Fig. 1

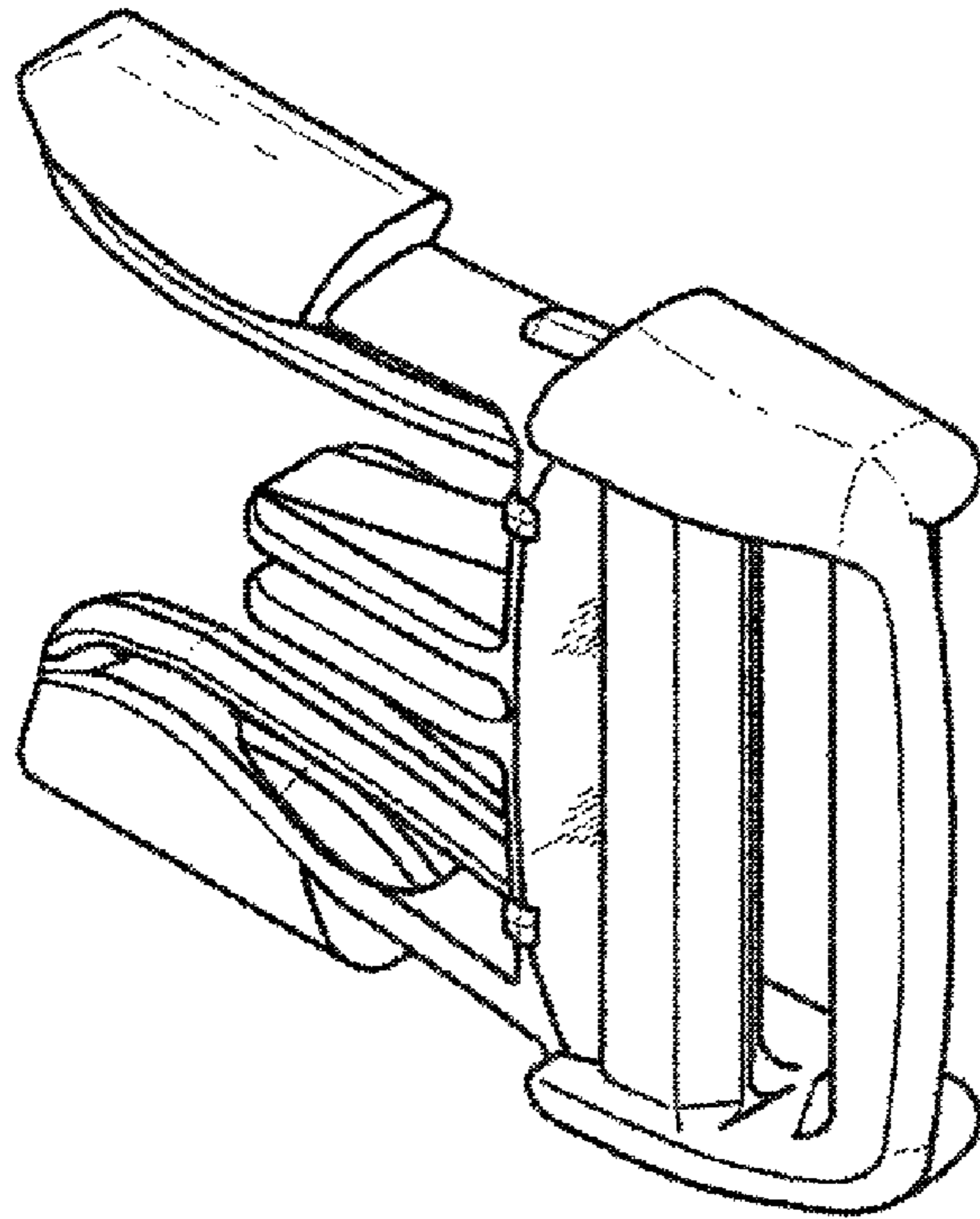


Fig. 2

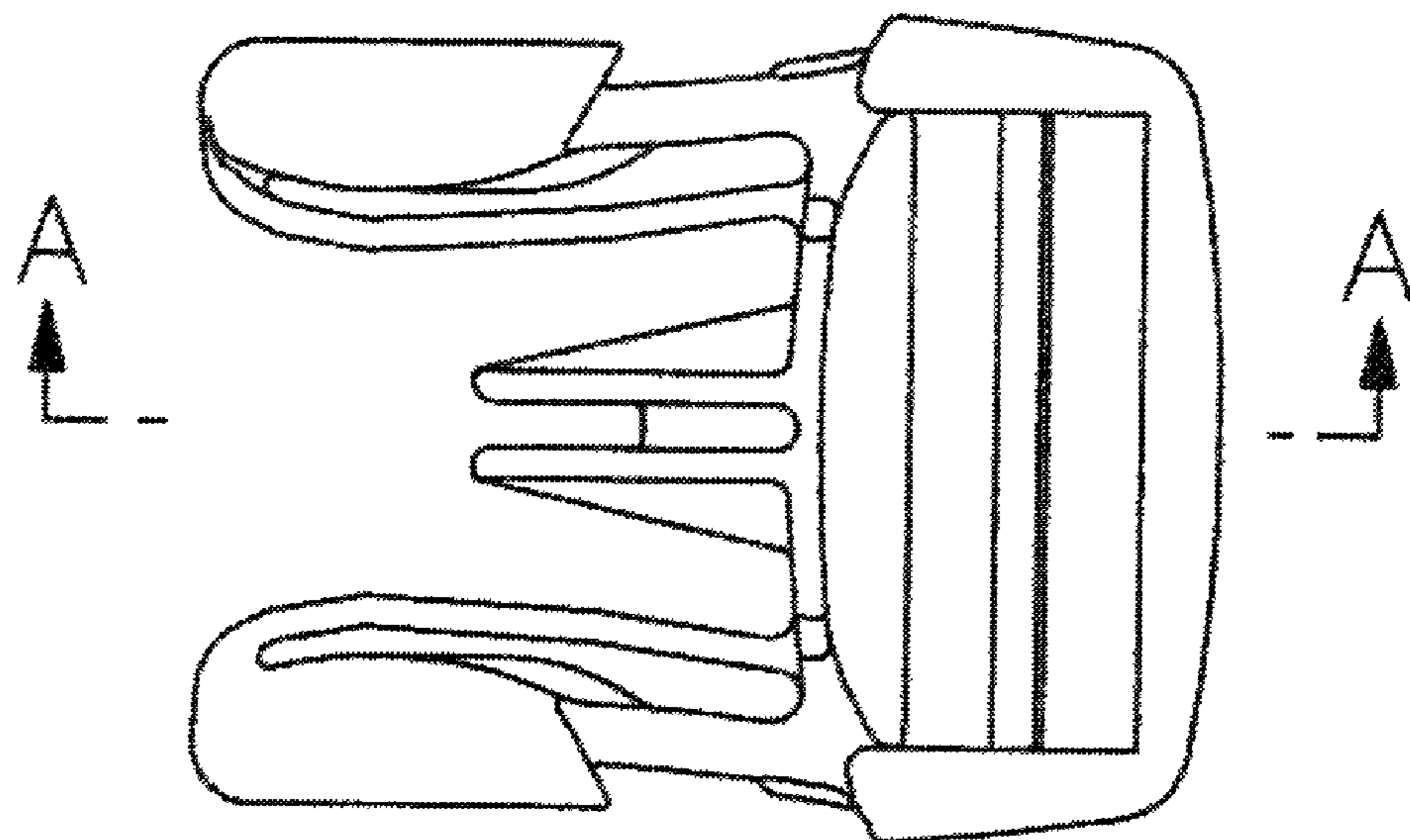


Fig. 3

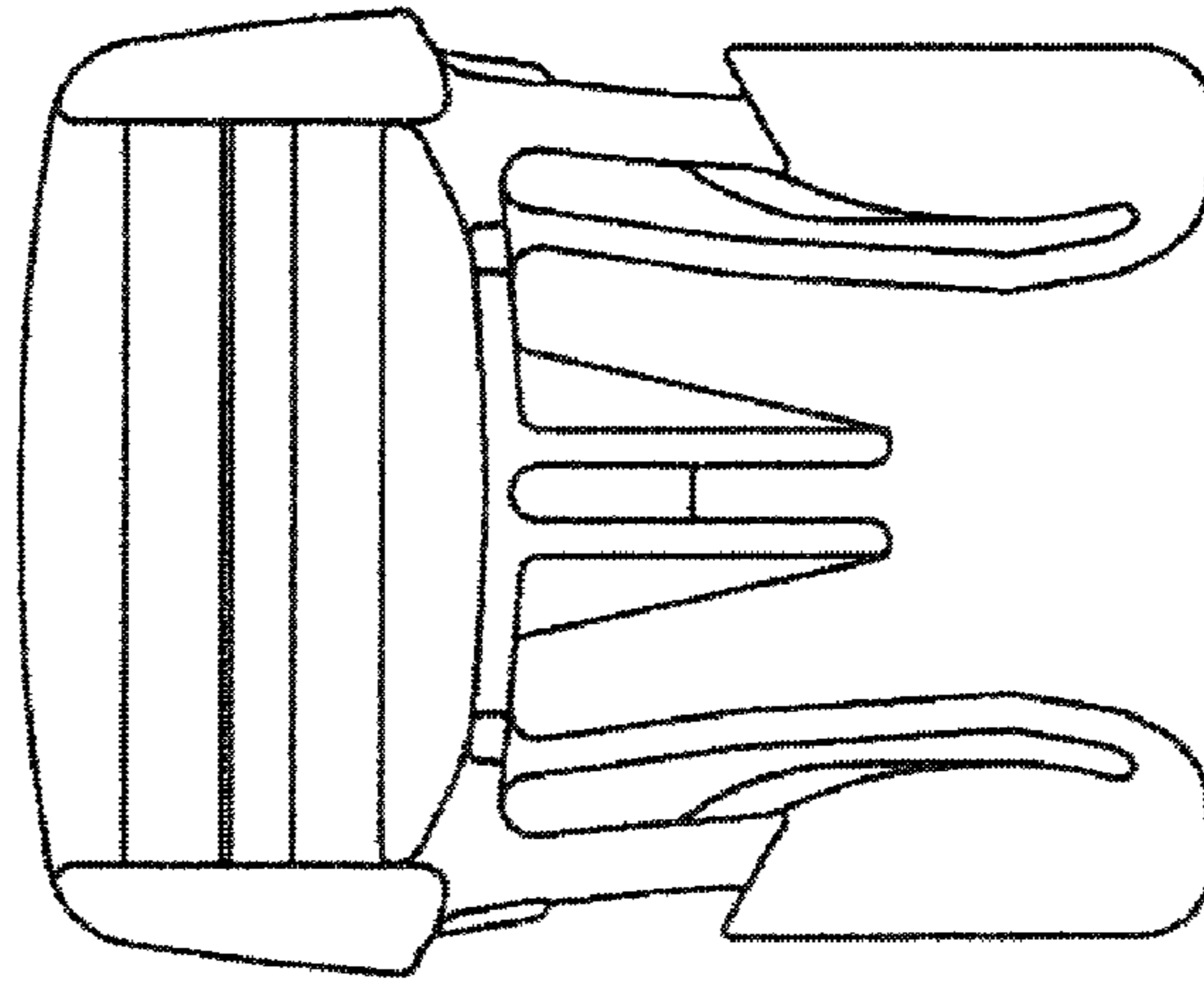


Fig. 4

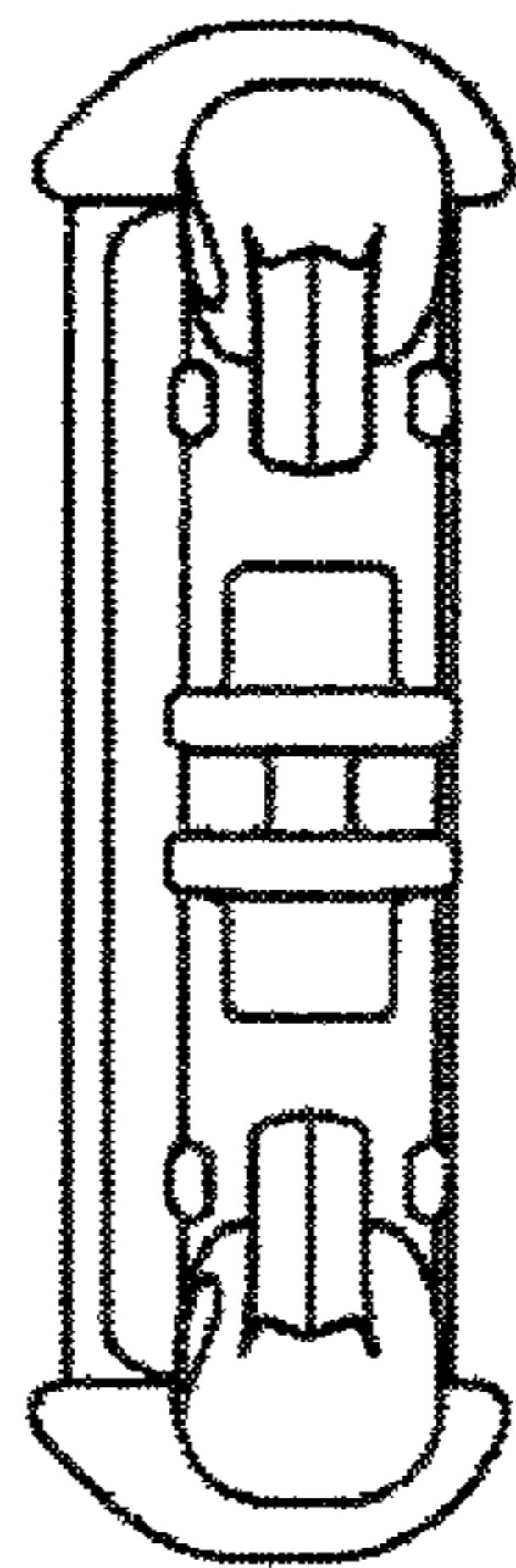


Fig. 5

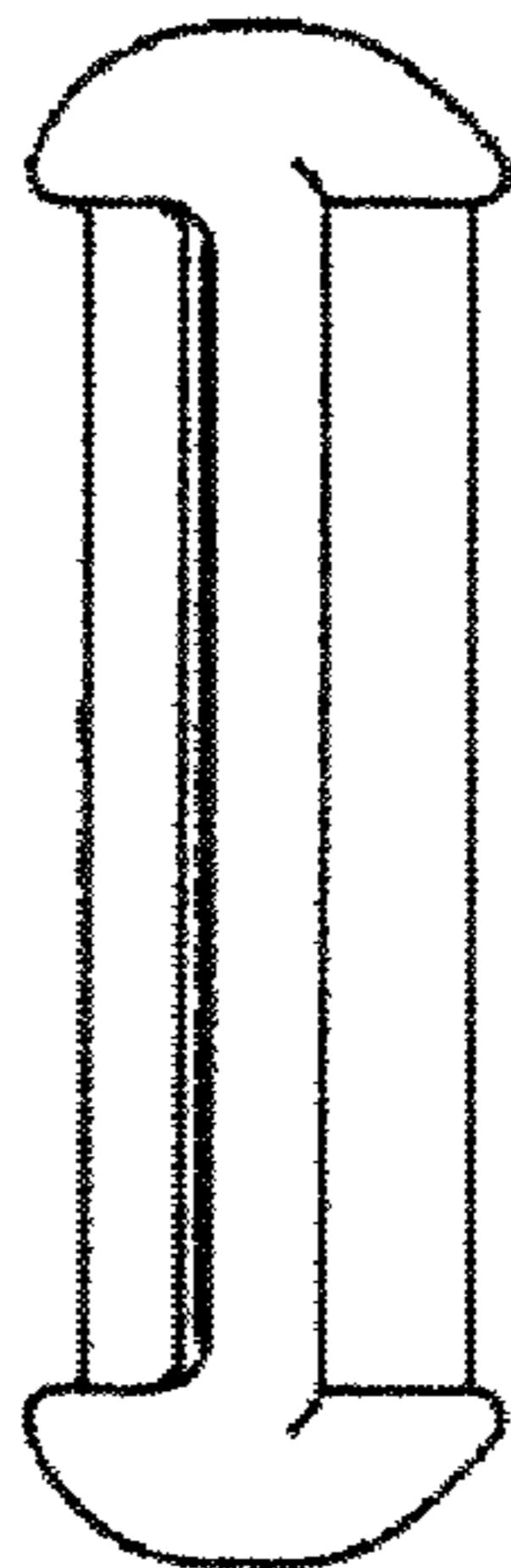


Fig. 6

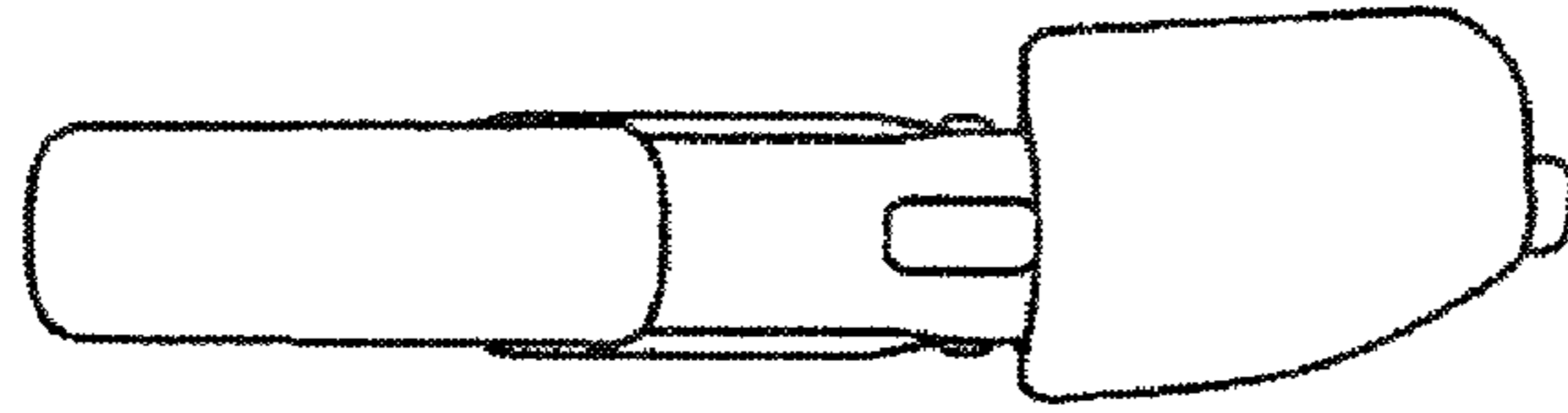


Fig. 7

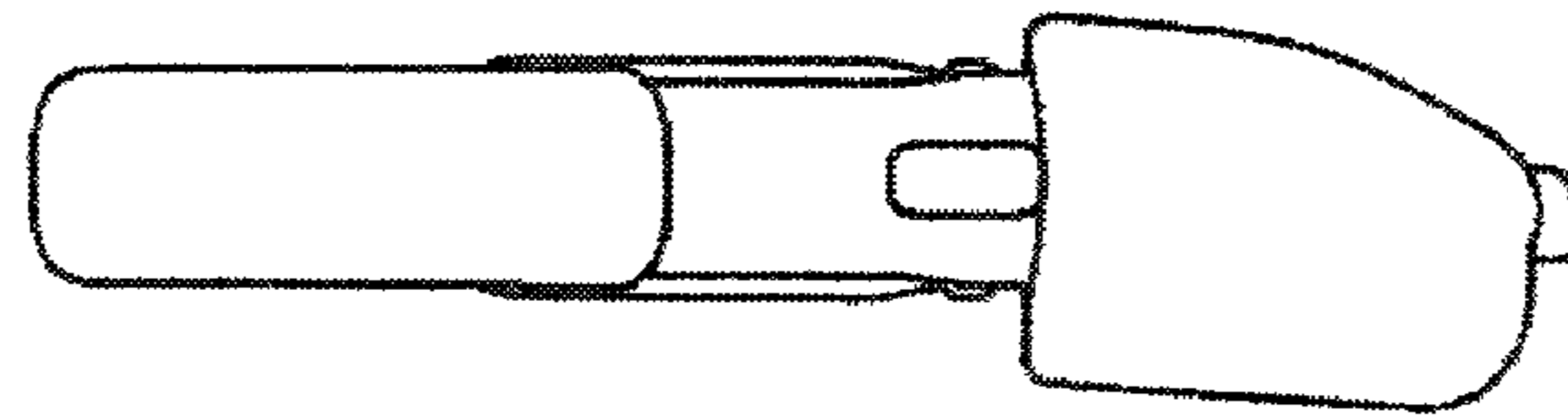


Fig. 8

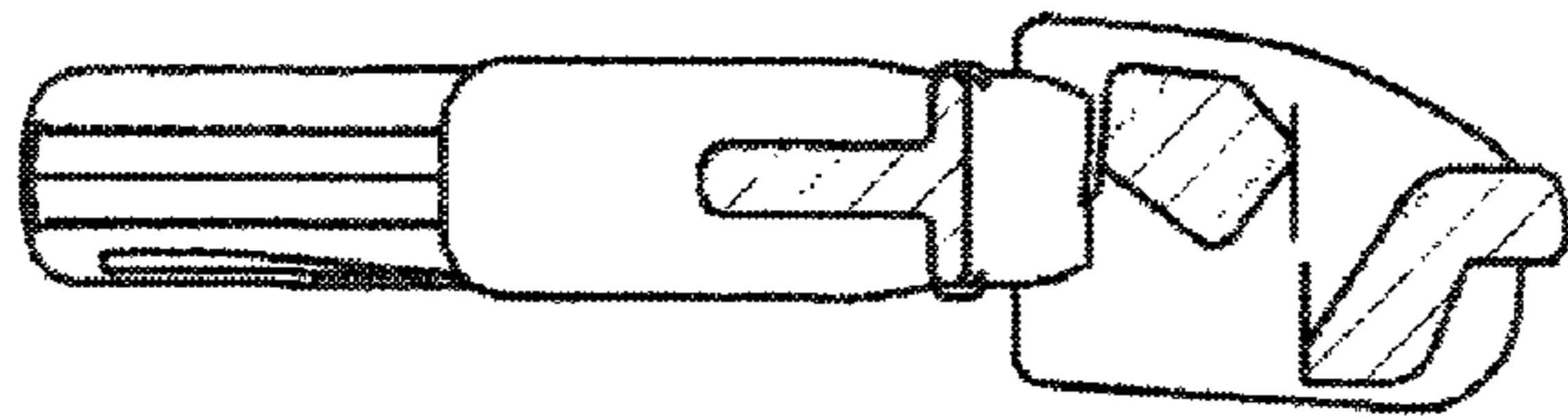


Fig. 9

