



US00D618580S

(12) **United States Design Patent**
Takahashi

(10) **Patent No.:** **US D618,580 S**
(45) **Date of Patent:** **** Jun. 29, 2010**

(54) **RING WITH SURFACE ORNAMENTATION**

D583,568 S * 12/2008 Sordi D5/28
D602,392 S * 10/2009 Kempker D11/26

(75) Inventor: **Masaki Takahashi**, Tokyo (JP)

FOREIGN PATENT DOCUMENTS

(73) Assignee: **Mokumeganeya Co., Ltd.**, Tokyo (JP)

JP D1236772 S 4/2005

(**) Term: **14 Years**

OTHER PUBLICATIONS

(21) Appl. No.: **29/354,340**

<http://www.andrewnycedesigns.com/blog/wp-content/uploads/2009/09/golden-light-mokume.jpg>. Accessed Apr. 7, 2010.*
<http://www.andrewnycedesigns.com/blog/wp-content/uploads/2009/09/kaleidoscope-mokume.jpg>. Accessed Apr. 7, 2010.*
<http://www.andrewnycedesigns.com/blog/wp-content/uploads/2009/09/meridian-rings.jpg>. Accessed Apr. 7, 2010.*
<http://applesofgold.com/Merchant2/graphics/00000015/WED-PAC.jpg>. Accessed Apr. 7, 2010.*

(22) Filed: **Jan. 22, 2010**

(51) **LOC (9) Cl.** **11-01**

(52) **U.S. Cl.** **D11/37**

(58) **Field of Classification Search** D11/26-39,
D11/3-9; 63/15, 15.1-15.4, 15.45, 14.4,
63/15.65, 15.7; D5/16, 32, 37, 43, 55, 56,
D5/58, 62

See application file for complete search history.

* cited by examiner

Primary Examiner—Cathron C Brooks

Assistant Examiner—Melanie Levy

(74) *Attorney, Agent, or Firm*—Cermak Nakajima LLP;

Tomoko Nakajima

(56) **References Cited**

U.S. PATENT DOCUMENTS

1,063,939 A * 6/1913 Behrens et al. 428/184
D89,239 S * 2/1933 Juestrich D5/55
D126,716 S * 4/1941 Faller D5/62
D140,003 S * 1/1945 Lieber D11/37
D141,652 S * 6/1945 Ray-Dupuis D11/4
D241,765 S * 10/1976 Newcomb D11/29
D317,274 S * 6/1991 Redina D11/4
D321,597 S * 11/1991 Cerny D5/55
D342,916 S * 1/1994 Giralt D11/30
D398,255 S * 9/1998 Chang D11/26
D401,422 S * 11/1998 Minkin D5/62
D485,685 S * 1/2004 Zupkofska et al. D5/62
D509,161 S * 9/2005 Kellogg D11/4
D521,251 S * 5/2006 Enderby D5/57
D579,213 S * 10/2008 Aipa D5/53
D581,678 S * 12/2008 Yeh D5/56

(57) **CLAIM**

The ornamental design for a ring with surface ornamentation, as shown and described.

DESCRIPTION

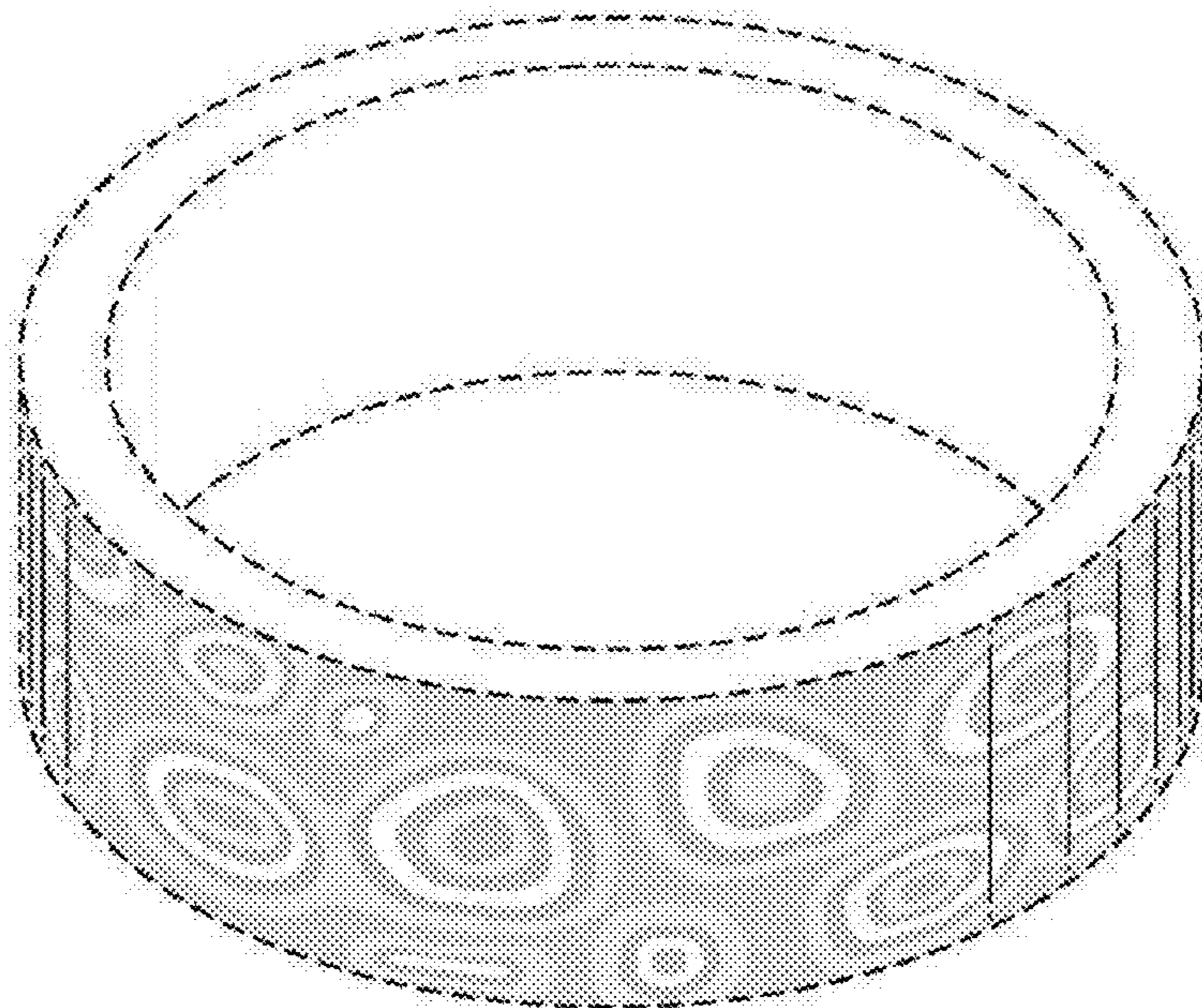
FIG. 1 is a perspective view of a ring with surface ornamentation showing my new design; and

FIG. 2 is a plan view thereof in flattened form; and,

FIG. 3 is a top plan view thereof, a bottom plan view thereof being a mirror image.

The broken lines shown in drawings are for illustrative purposes only and form no part of the claimed design.

1 Claim, 1 Drawing Sheet



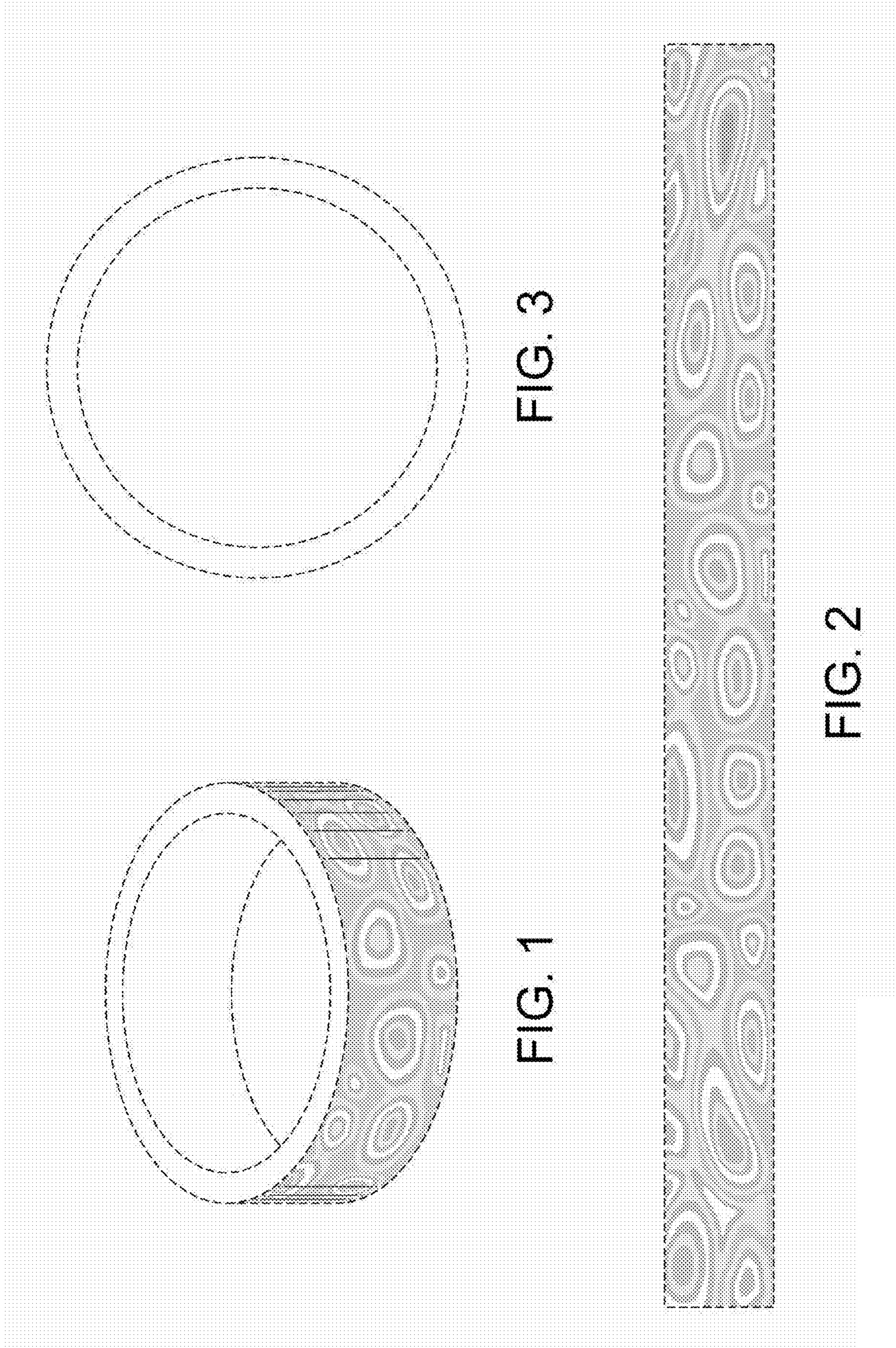


FIG. 3

FIG. 1

FIG. 2