



US00D618571S

(12) **United States Design Patent**
Okuda

(10) **Patent No.:** **US D618,571 S**
(45) **Date of Patent:** **** Jun. 29, 2010**

(54) **ROTATION RATE DETECTOR**

D571,243 S * 6/2008 Okuda D10/98

(75) Inventor: **Yoji Okuda**, Osaka (JP)

(73) Assignee: **Cateye Co., Ltd.**, Osaka (JP)

* cited by examiner

(**) Term: **14 Years**

Primary Examiner—Antoine D Davis
(74) *Attorney, Agent, or Firm*—Olson & Cepuritis, Ltd.

(21) Appl. No.: **29/307,482**

(22) Filed: **Apr. 23, 2008**

(57) **CLAIM**

The ornamental design for a rotation rate detector, as shown.

(30) **Foreign Application Priority Data**

Oct. 30, 2007 (JP) 2007-029894

DESCRIPTION

(51) **LOC (9) Cl.** **10-04**

(52) **U.S. Cl.** **D10/98**

(58) **Field of Classification Search** D10/98;
73/862.331–862.336; 307/116; 310/71,
310/179, 258–260; 324/207.25, 207.15,
324/207.16, 207.17, 173, 174, 207.11, 207.13;
338/32 H, 32 R; 361/380, 395, 399

FIG. 1 is a perspective view of a rotation rate detector showing my new design;
FIG. 2 is a front view thereof;
FIG. 3 is a rear view thereof;
FIG. 4 is a top plan view thereof;
FIG. 5 is a bottom plan view thereof;
FIG. 6 is a right side view thereof; and,
FIG. 7 is a left side view thereof.

See application file for complete search history.

(56) **References Cited**

U.S. PATENT DOCUMENTS

5,596,271 A * 1/1997 Lowery 324/174

1 Claim, 5 Drawing Sheets

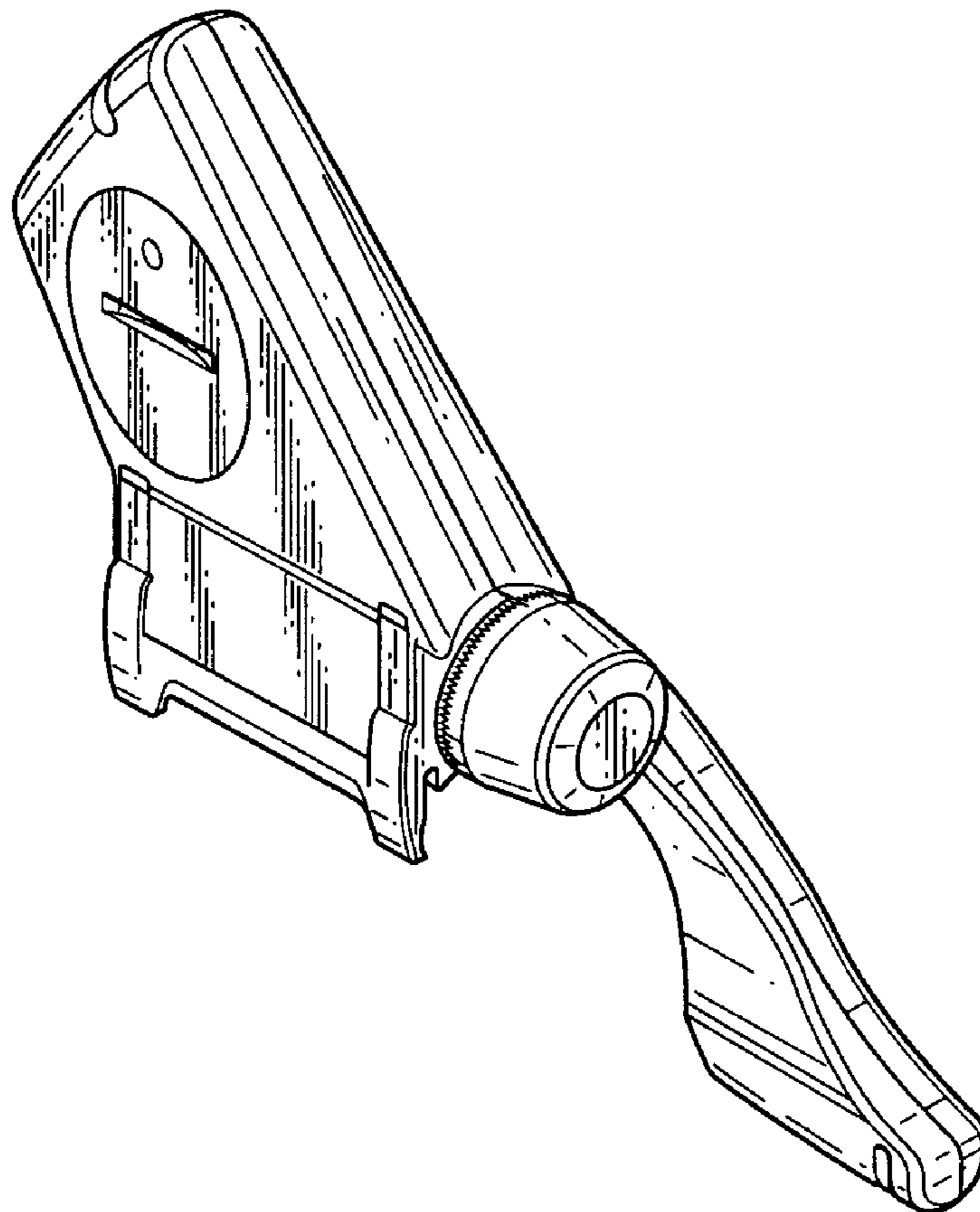


Fig. 1

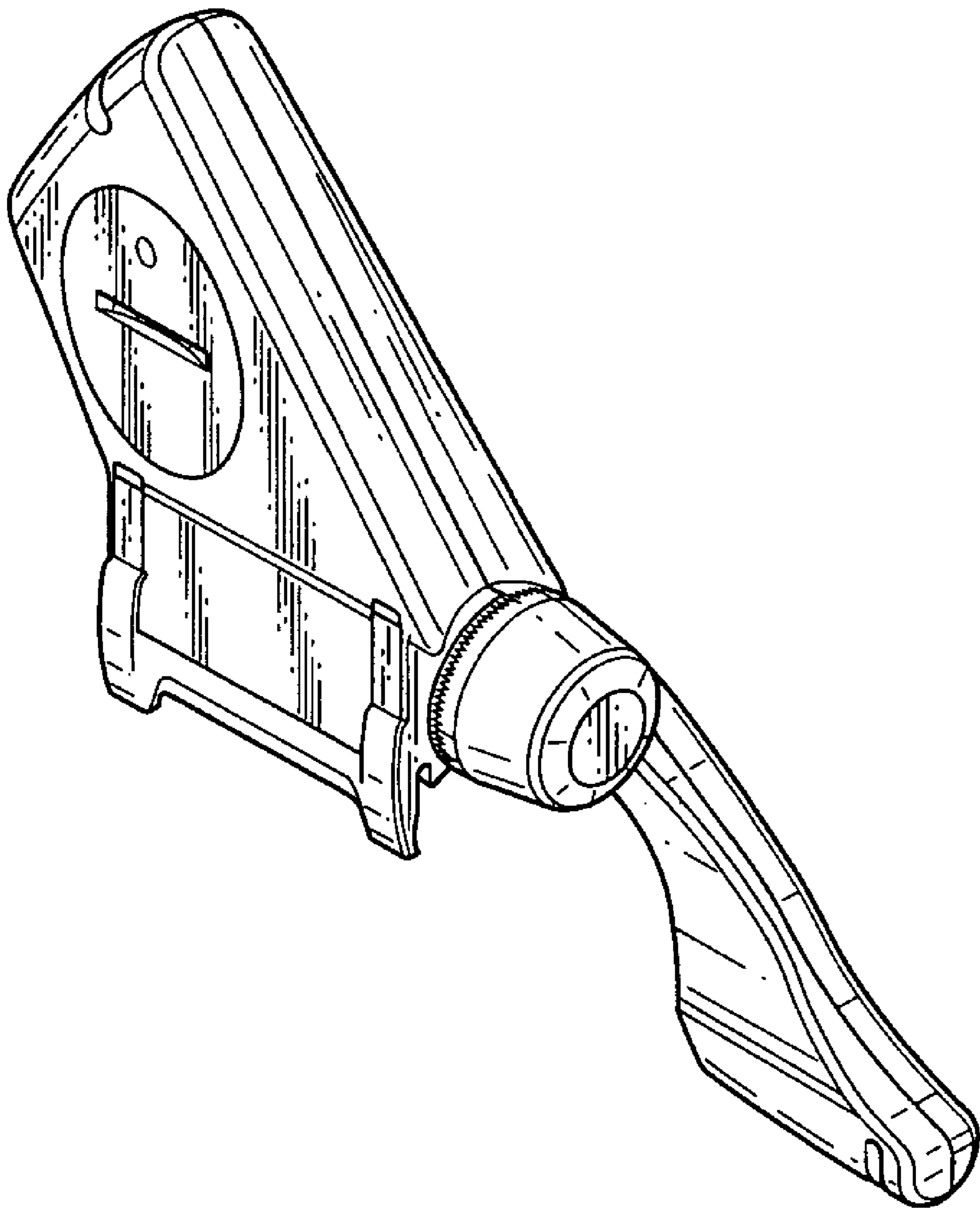


Fig. 2

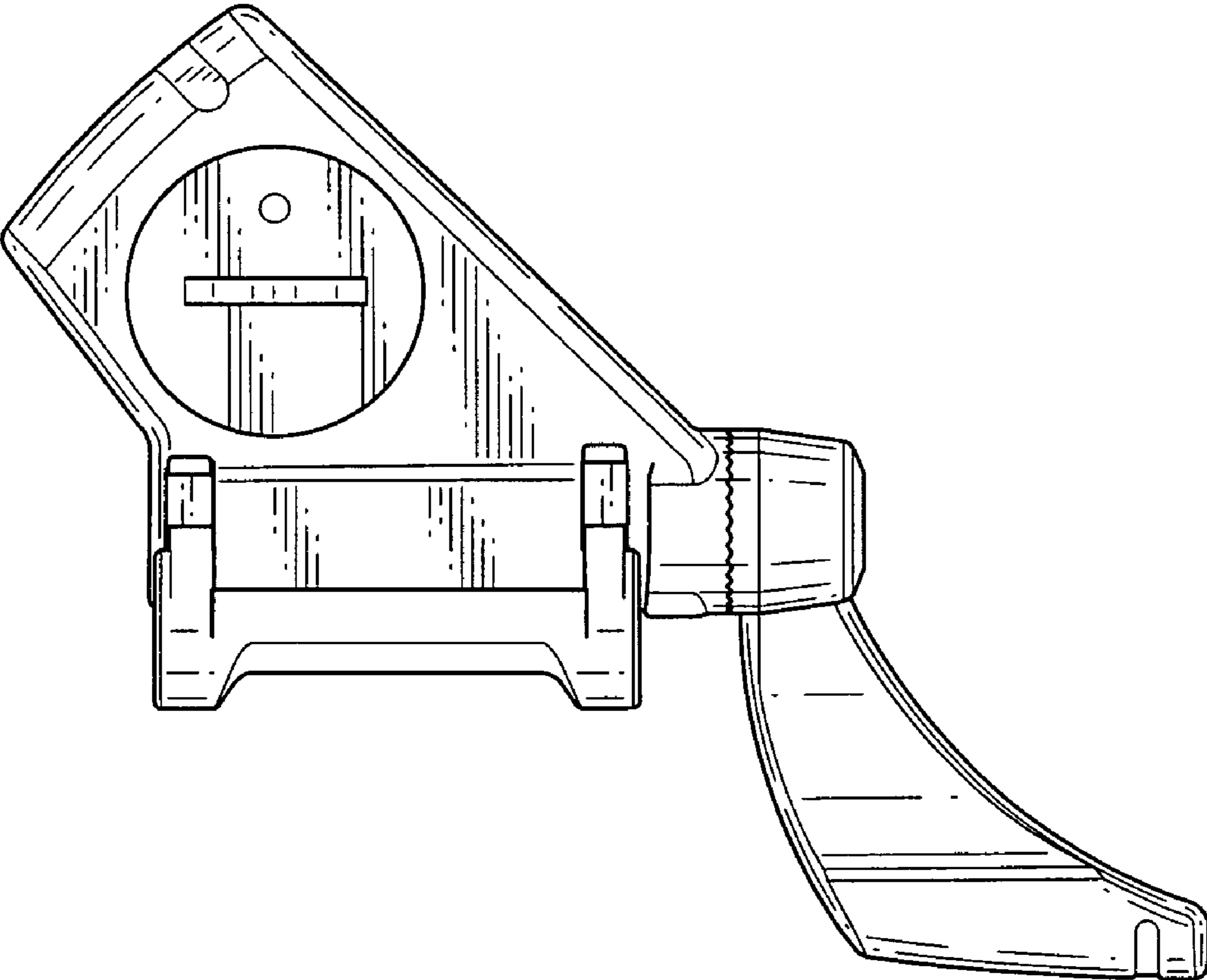


Fig. 3

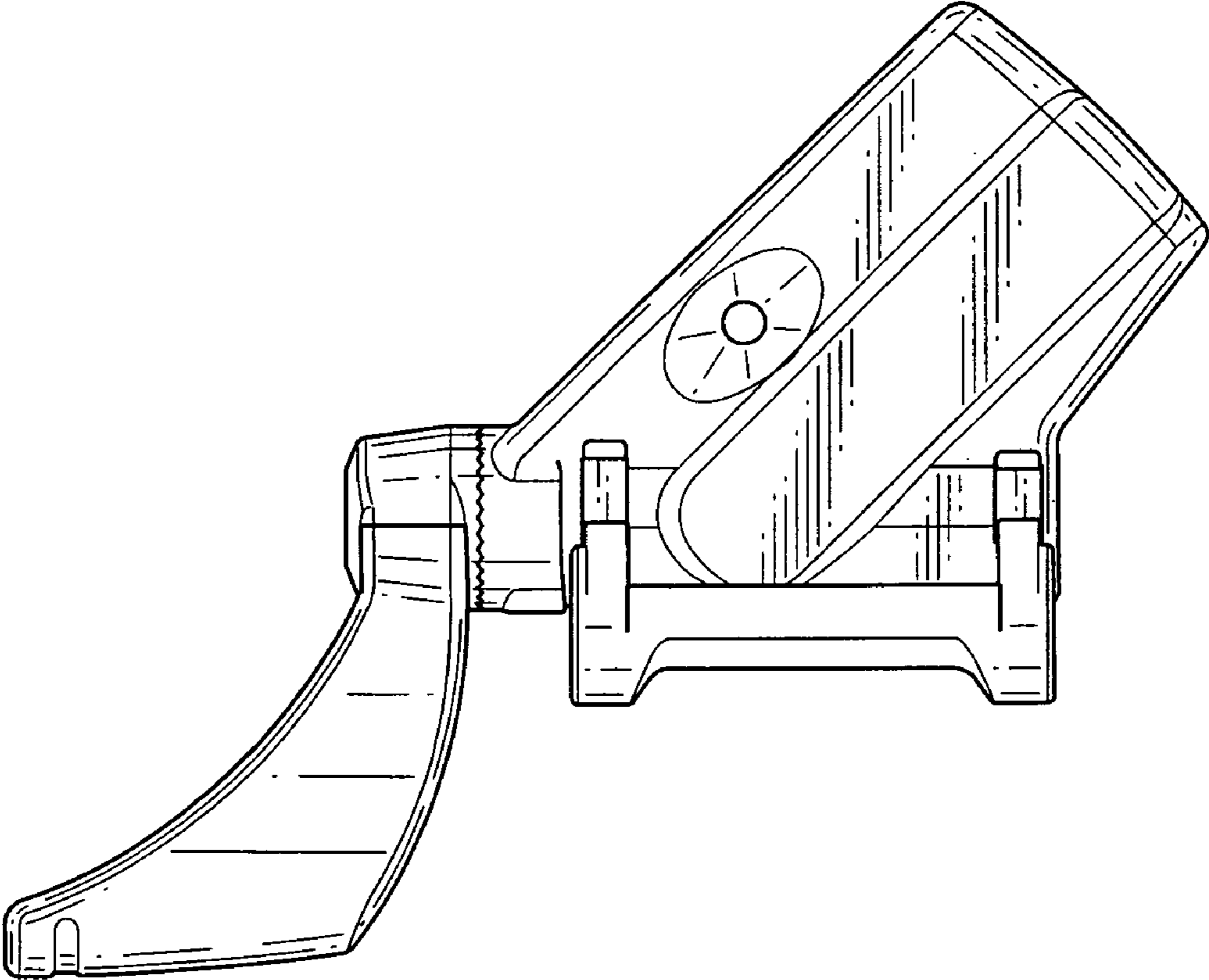


Fig. 4

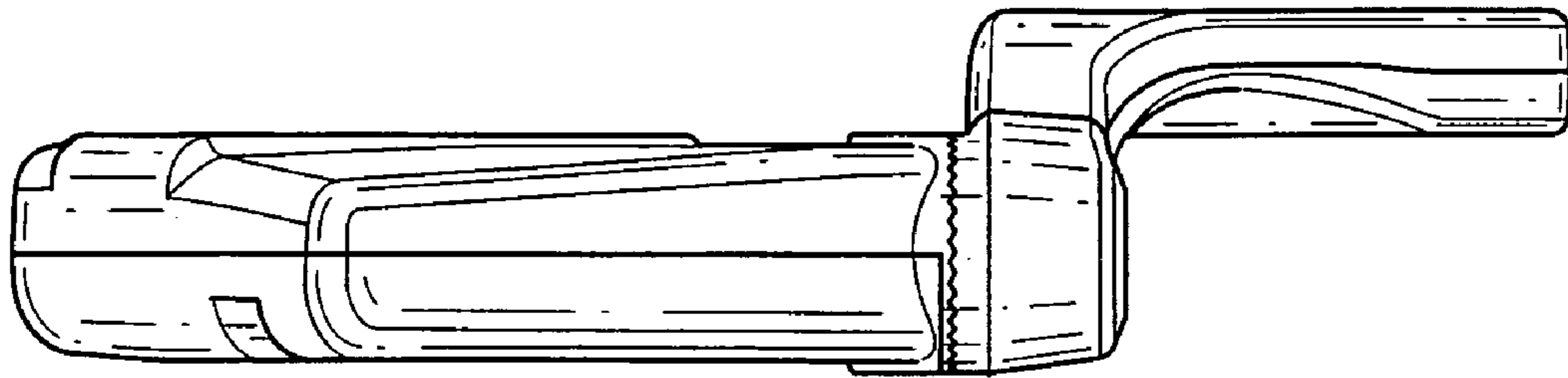


Fig. 5

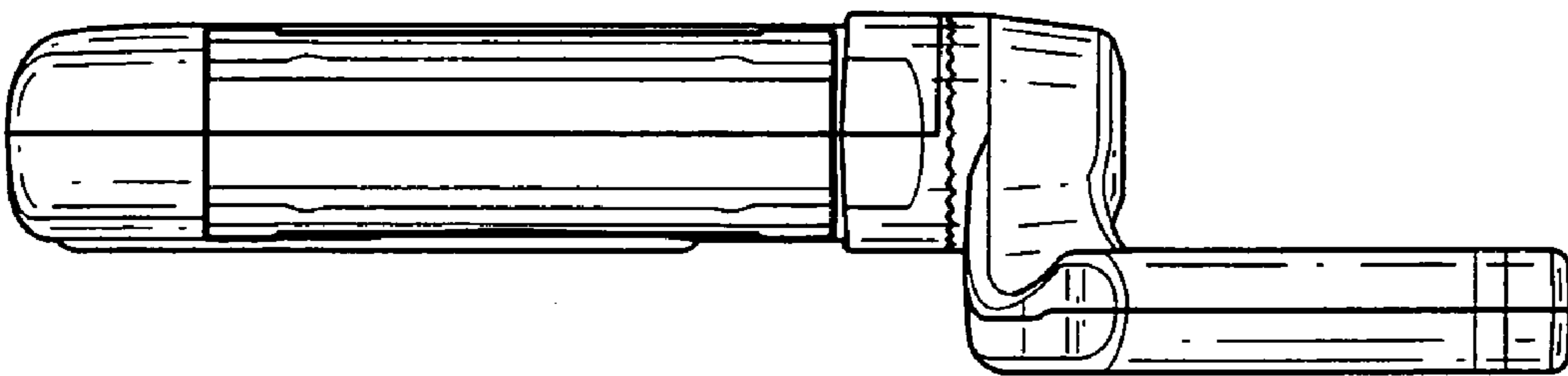


Fig. 6

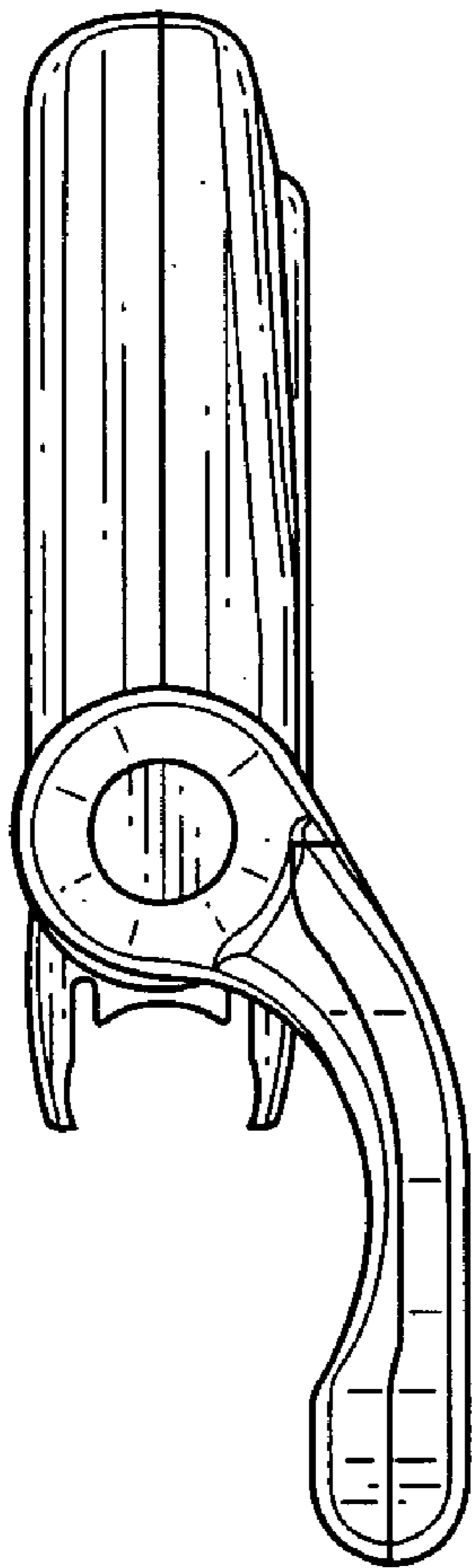


Fig. 7

