



US00D618570S

(12) **United States Design Patent**
Ihara

(10) **Patent No.:** **US D618,570 S**
(45) **Date of Patent:** **** Jun. 29, 2010**

(54) **OPTICAL EMISSION ANALYZER**

(75) Inventor: **Kaoru Ihara**, Kyoto (JP)
(73) Assignee: **Shimadzu Corporation**, Kyoto (JP)
(**) Term: **14 Years**
(21) Appl. No.: **29/341,419**
(22) Filed: **Aug. 5, 2009**

(51) **LOC (9) Cl.** **10-04**
(52) **U.S. Cl.** **D10/81; D10/46**
(58) **Field of Classification Search** D10/46,
D10/75, 81; D24/232-234; 134/1.2, 22.11;
216/60; 439/8, 916, 714
See application file for complete search history.

(56) **References Cited**

U.S. PATENT DOCUMENTS

D364,576 S * 11/1995 Glaser D10/81
6,830,939 B2 * 12/2004 Harvey et al. 438/8
2004/0045934 A1 * 3/2004 Harvey et al. 216/60

* cited by examiner

Primary Examiner—Antoine D Davis
(74) *Attorney, Agent, or Firm*—J.C. Patents

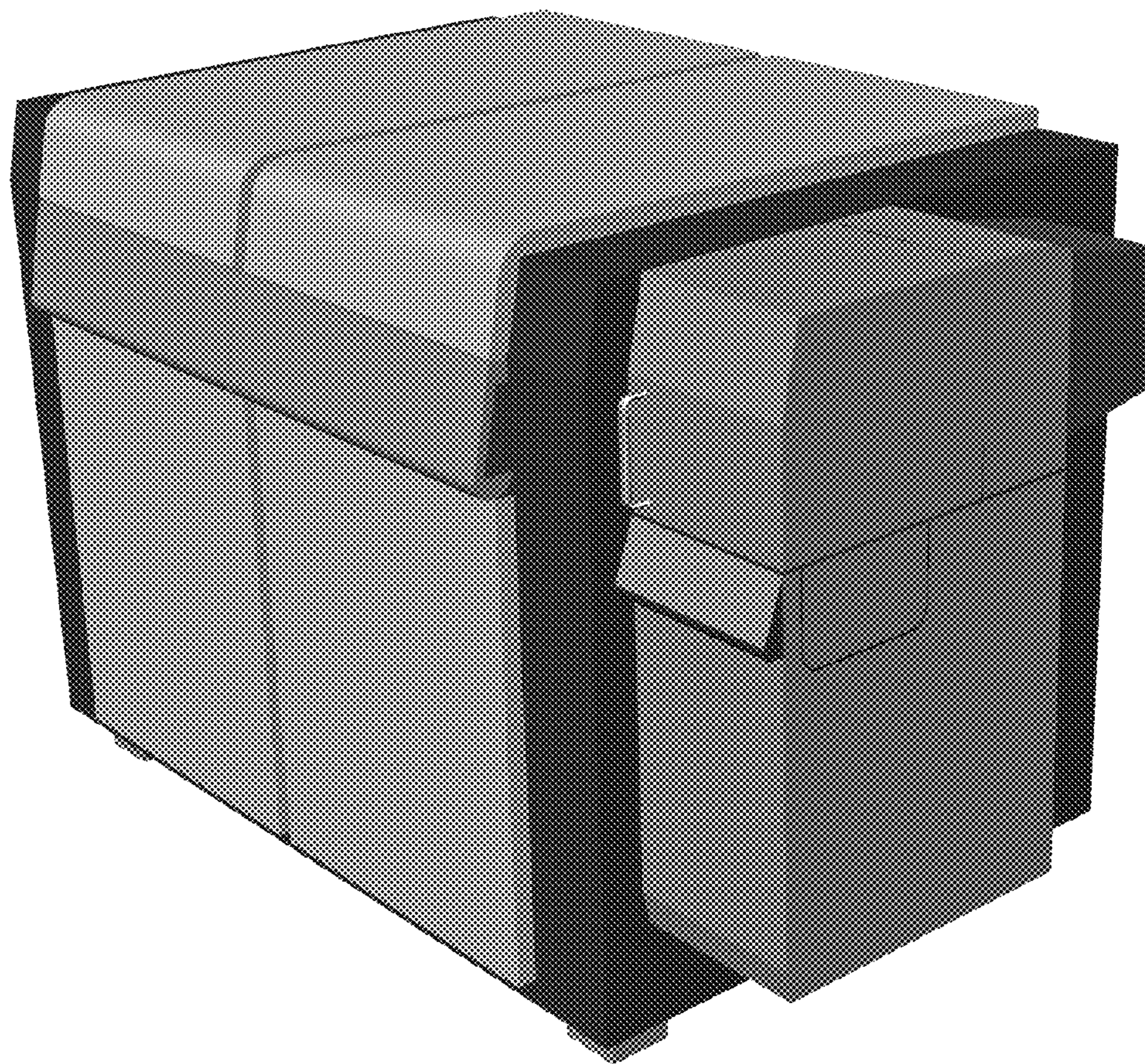
(57) **CLAIM**

The ornamental design for an optical emission analyzer, as shown and described.

DESCRIPTION

FIG. 1 is a front view of an optical emission analyzer showing my new design;
FIG. 2 is a rear view thereof.
FIG. 3 is a left side view thereof.
FIG. 4 is a right side view thereof.
FIG. 5 is a top view thereof.
FIG. 6 is a bottom view thereof;
FIG. 7 is a perspective view thereof.
FIG. 8 is a perspective view thereof with the sampling room cover opened; and,
FIG. 9 is a perspective view thereof with the dial cover opened.
In the drawings, the whole surface of each part of the claimed design is shown in dark and light colors to illustrate the three-dimensional shape of the part. The dark and light colors in the drawings are for illustrative purposes only and form no part of the claimed design.

1 Claim, 6 Drawing Sheets



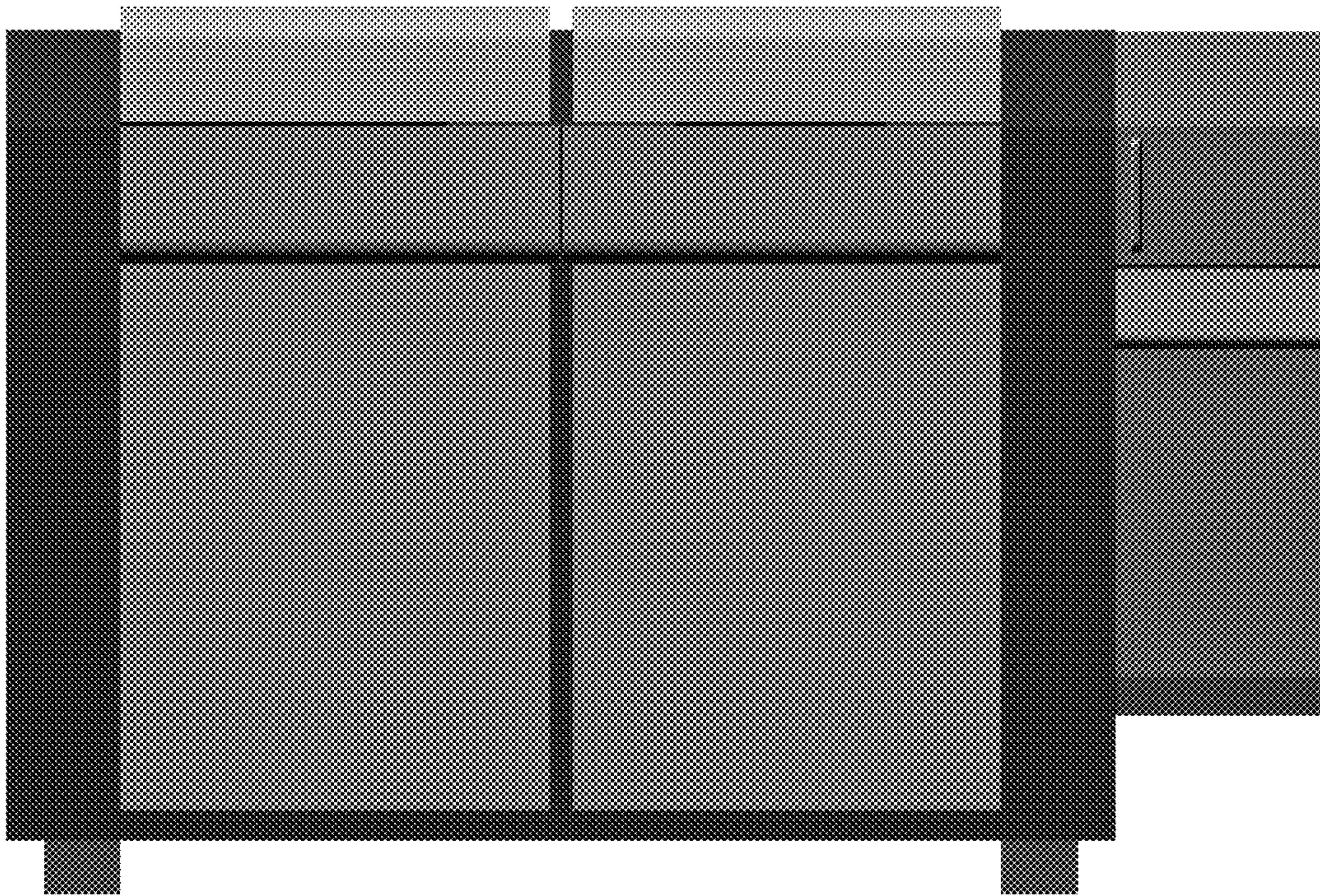


FIG. 1

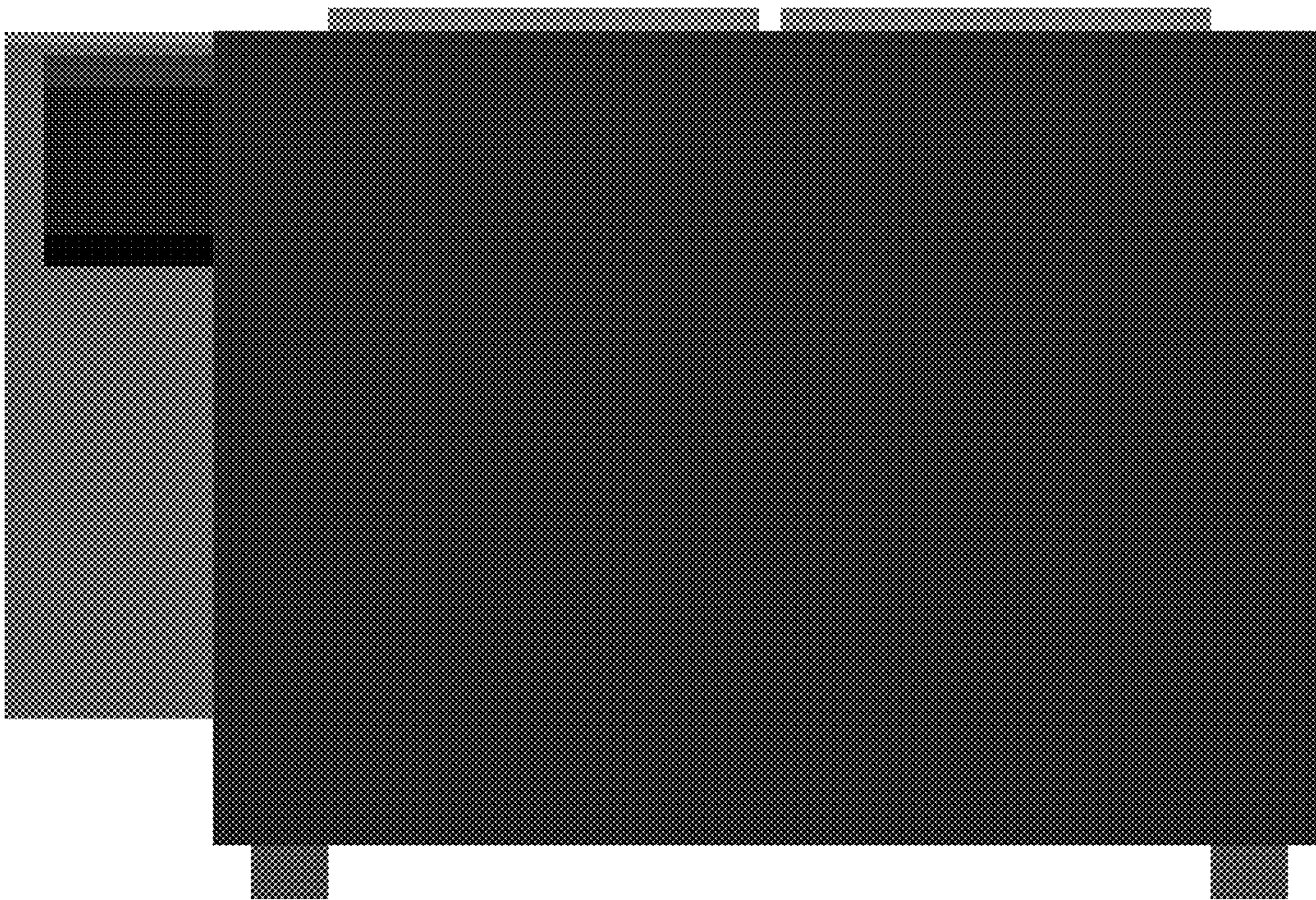


FIG. 2

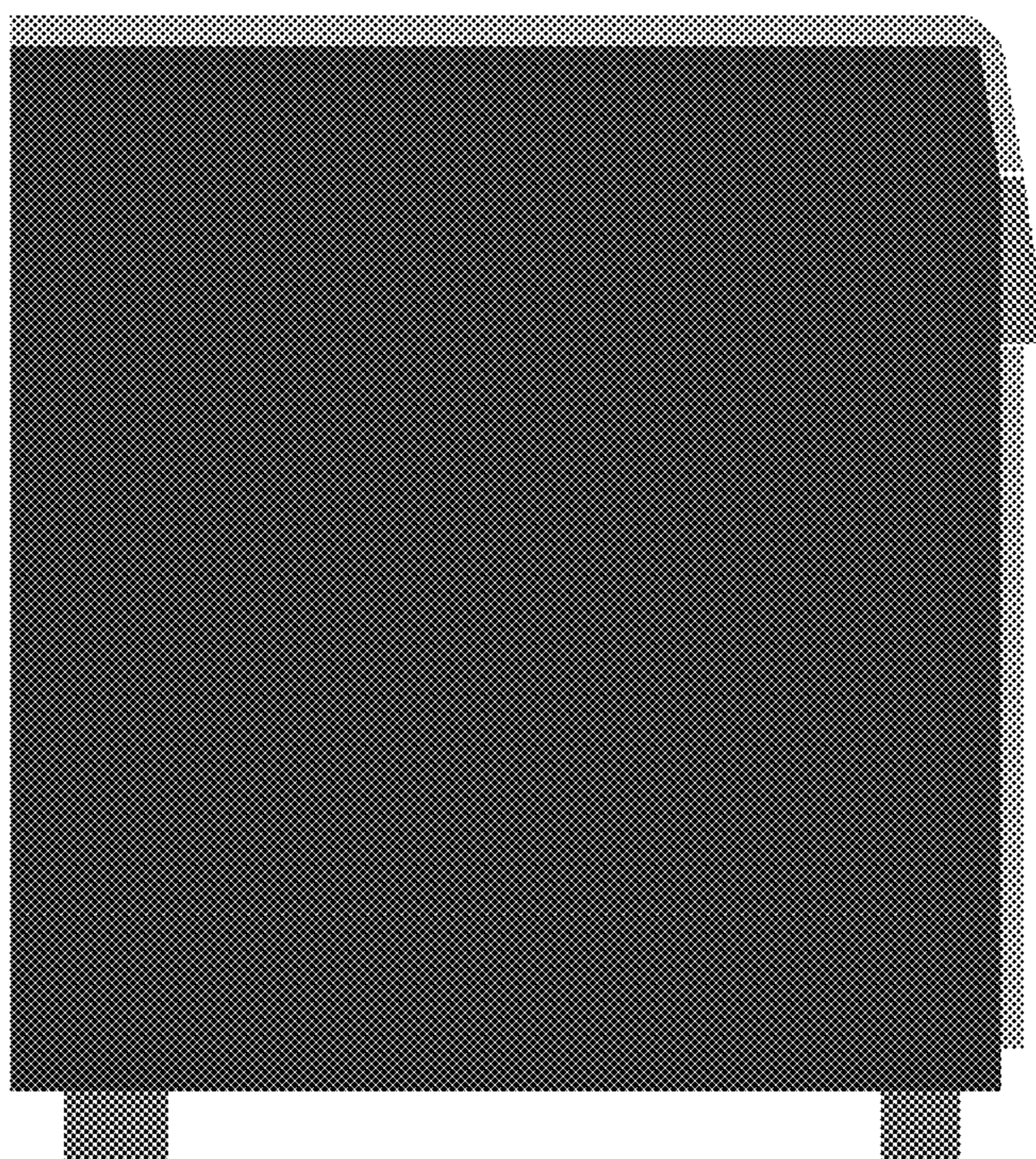


FIG. 3

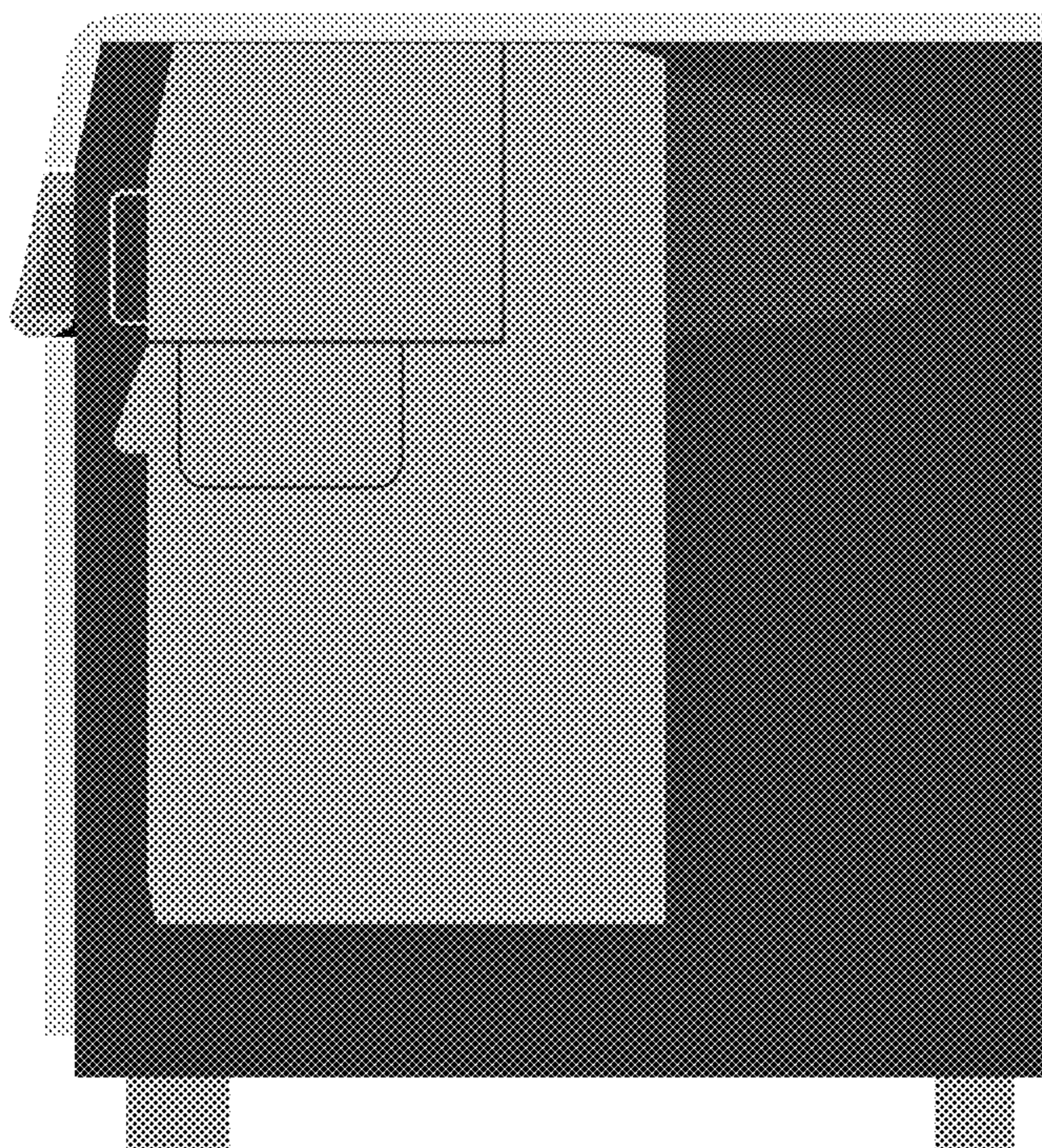


FIG. 4

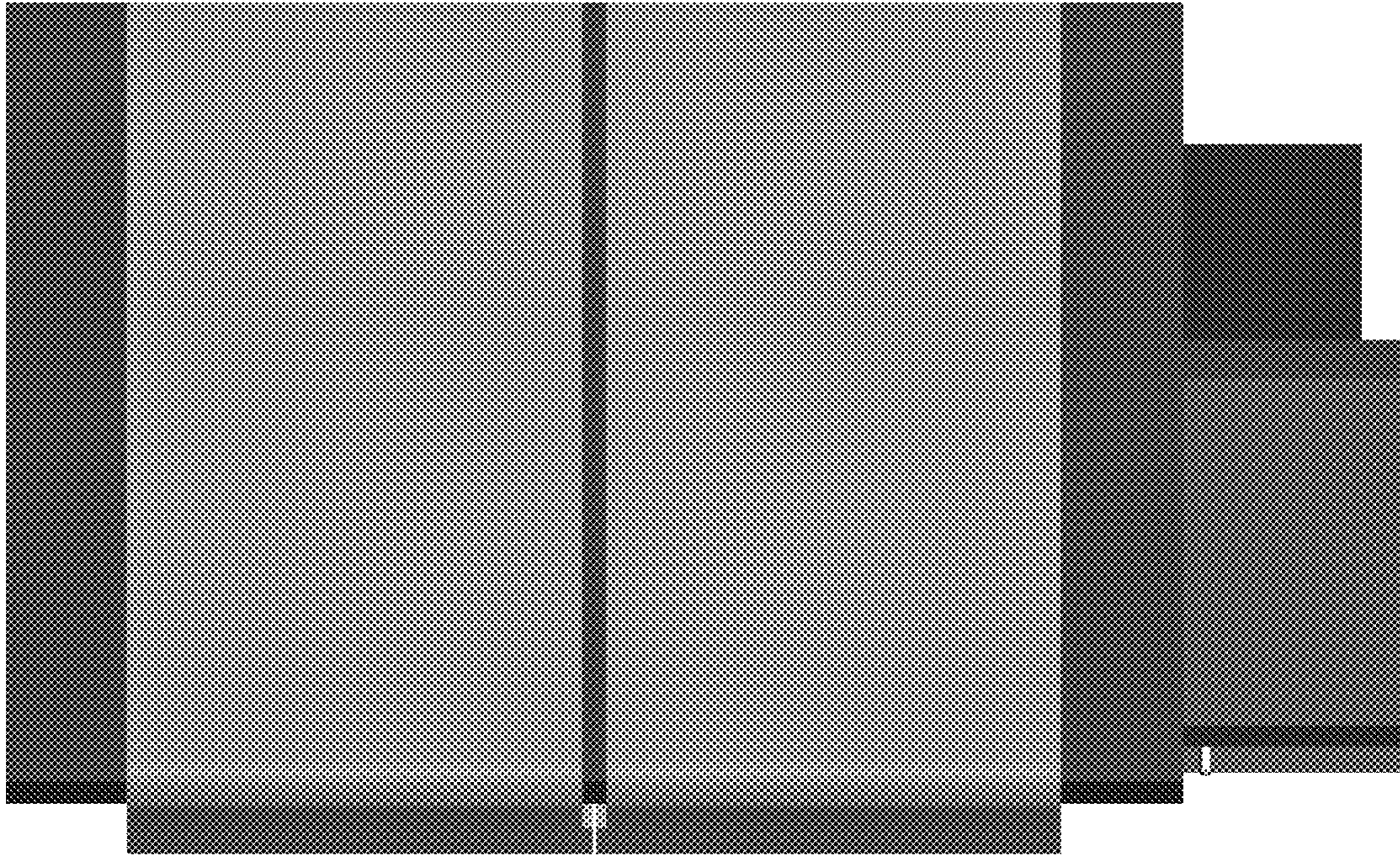


FIG. 5

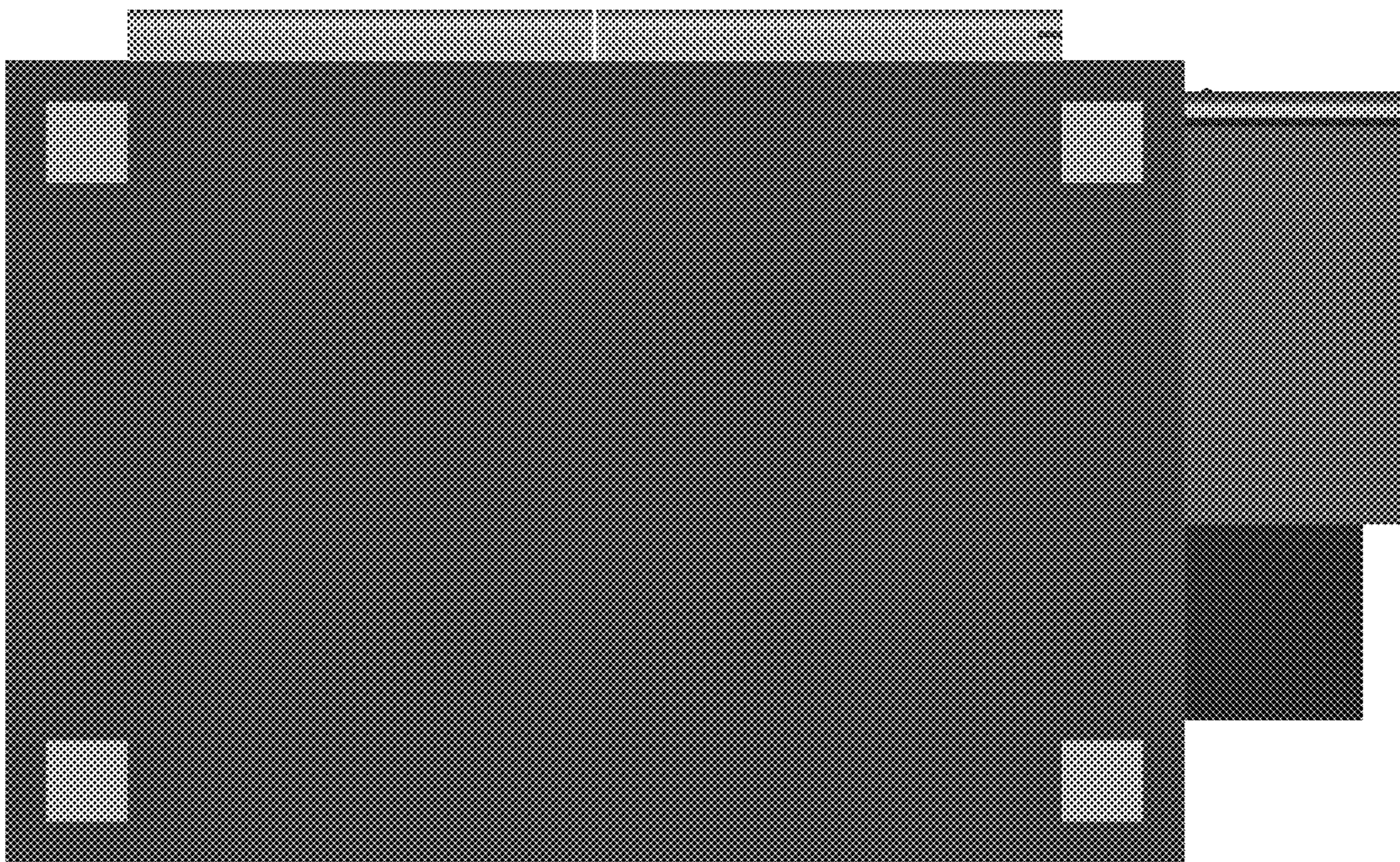


FIG. 6

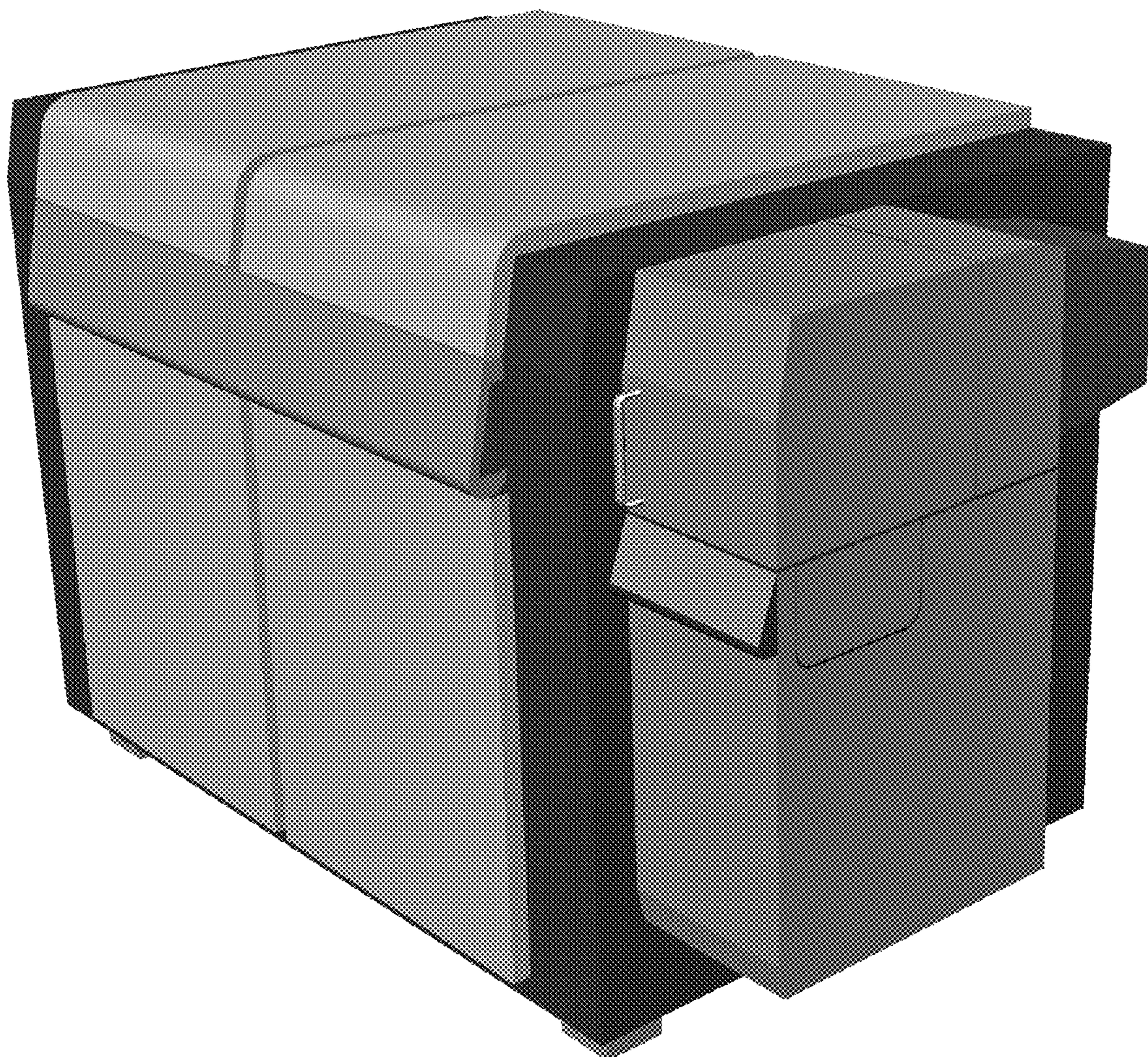


FIG. 7

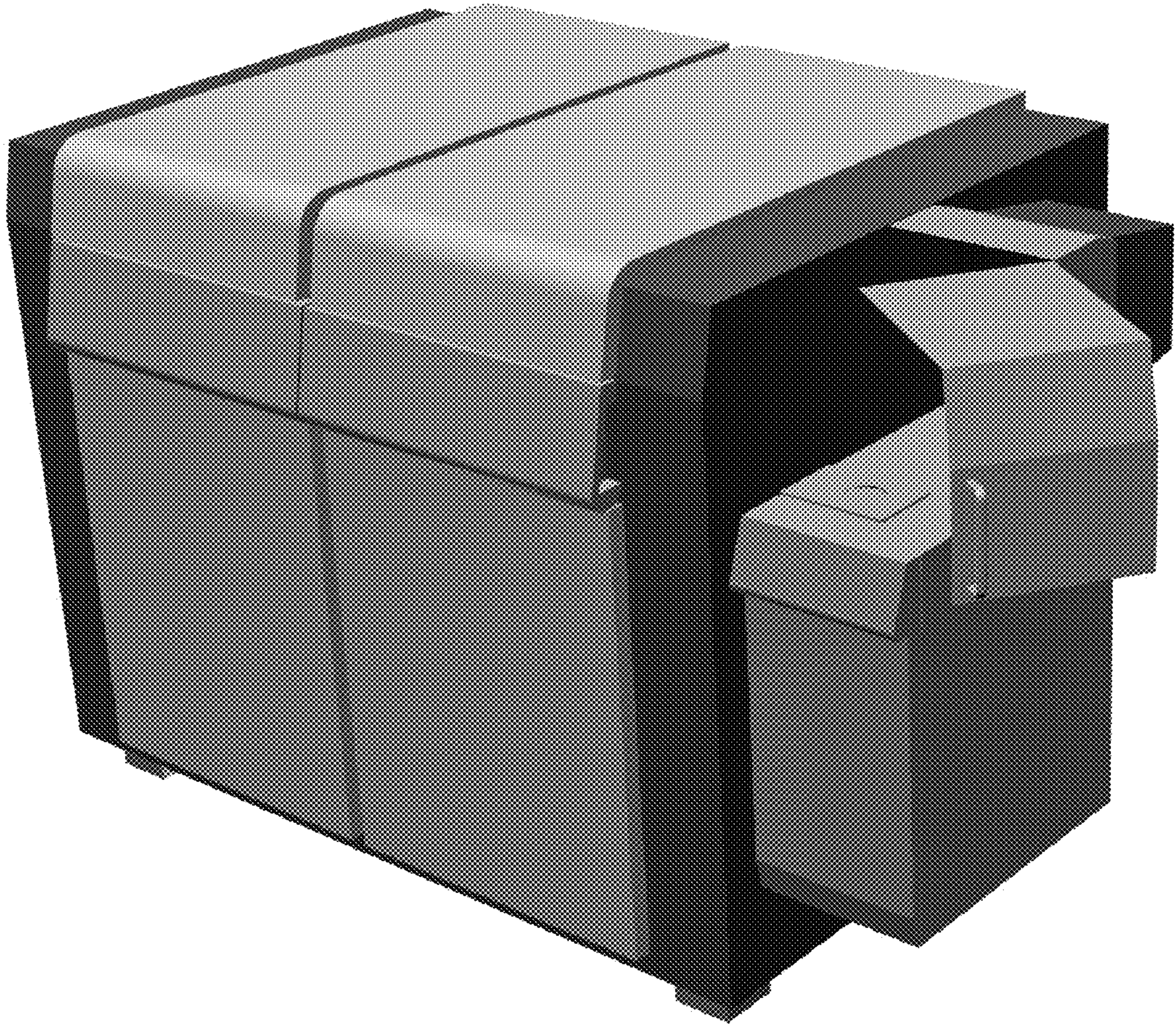


FIG. 8

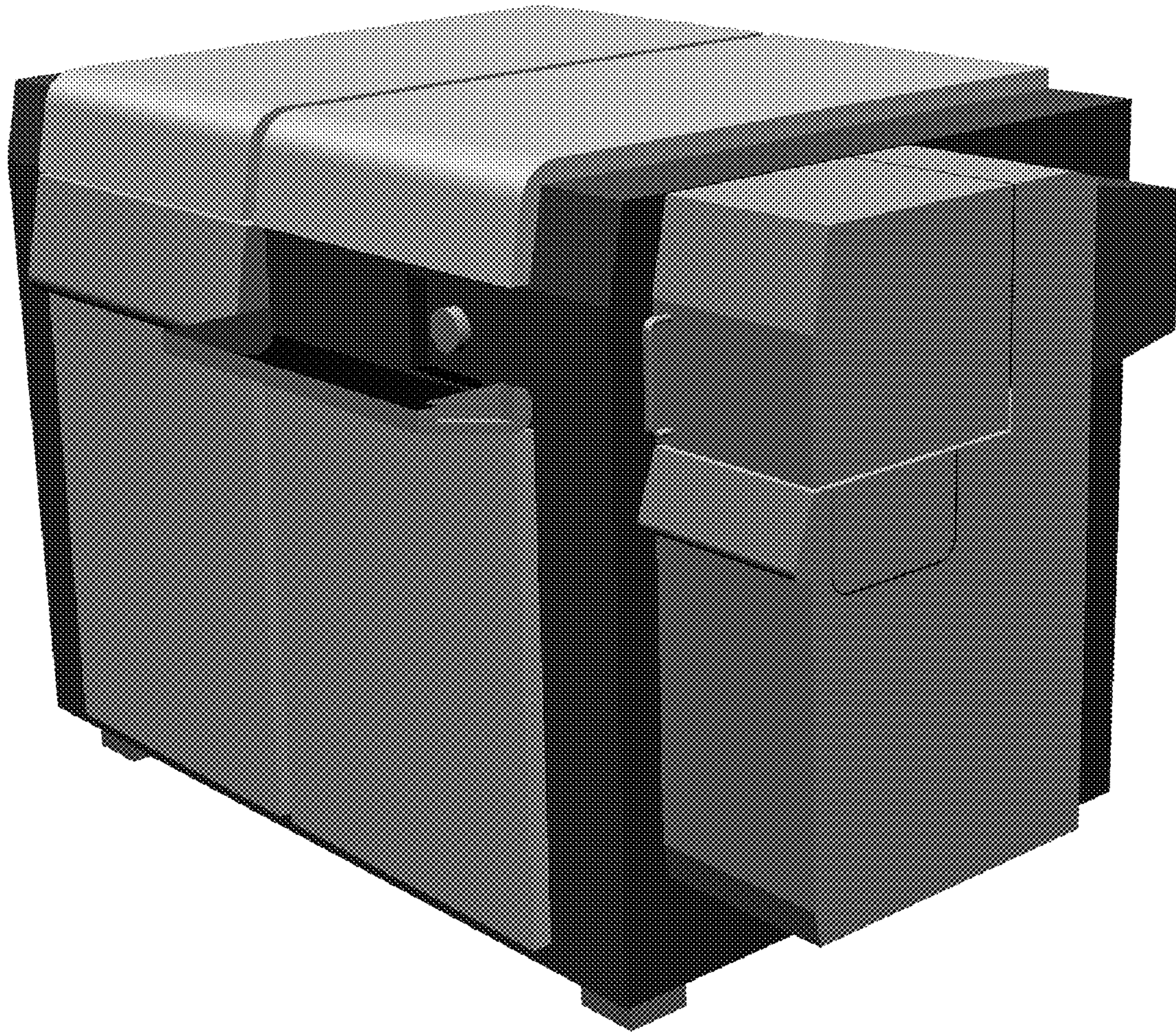


FIG. 9