



US00D618565S

(12) **United States Design Patent**
Dolce et al.

(10) **Patent No.:** **US D618,565 S**
(45) **Date of Patent:** **** Jun. 29, 2010**

(54) **CASE FOR A WATCH**

(75) Inventors: **Domenico Dolce**, Milan (IT); **Stefano Gabbana**, Milan (IT)

(73) Assignee: **Dolce & Gabbana S.R.L.**, Milan (IT)

(**) Term: **14 Years**

(21) Appl. No.: **29/347,129**

(22) Filed: **Sep. 28, 2009**

(30) **Foreign Application Priority Data**

Jul. 7, 2009 (EM) 001150874

(51) **LOC (9) Cl.** **10-02**

(52) **U.S. Cl.** **D10/38**

(58) **Field of Classification Search** D10/30-39;
368/276, 281, 282, 285, 288-290, 294, 295
See application file for complete search history.

(56) **References Cited**

U.S. PATENT DOCUMENTS

D195,421 S *	6/1963	Huguenin	D10/39
D325,351 S *	4/1992	Alberti	D10/30
D434,672 S *	12/2000	Berliat	D10/30
D445,038 S *	7/2001	Subilia	D10/30
6,282,153 B1 *	8/2001	Santos Neri	368/290
6,570,823 B1 *	5/2003	Gilomen et al.	368/113
6,679,624 B1 *	1/2004	Mouawad	368/216
D523,357 S *	6/2006	Kummer	D10/38
D536,998 S *	2/2007	Fujihara	D10/38
D538,182 S *	3/2007	Lalo	D10/32

D568,769 S *	5/2008	Emch Ducommun	D10/32
D570,231 S *	6/2008	Actis-Datta	D10/38
D574,733 S *	8/2008	Blair	D10/32
D577,610 S *	9/2008	Emch Ducommun	D10/32
D579,350 S *	10/2008	Calvani	D10/39
D590,727 S *	4/2009	Wei	D10/38
D607,755 S *	1/2010	Kummer et al.	D10/38

* cited by examiner

Primary Examiner—Lucy Lieberman

(74) *Attorney, Agent, or Firm*—Jacobson Holman PLLC

(57) **CLAIM**

The ornamental design for a case for a watch, as shown and described.

DESCRIPTION

FIG. 1 is a front perspective view of a case for a watch showing our design;

FIG. 2 is a top view thereof;

FIG. 3 is a bottom view thereof;

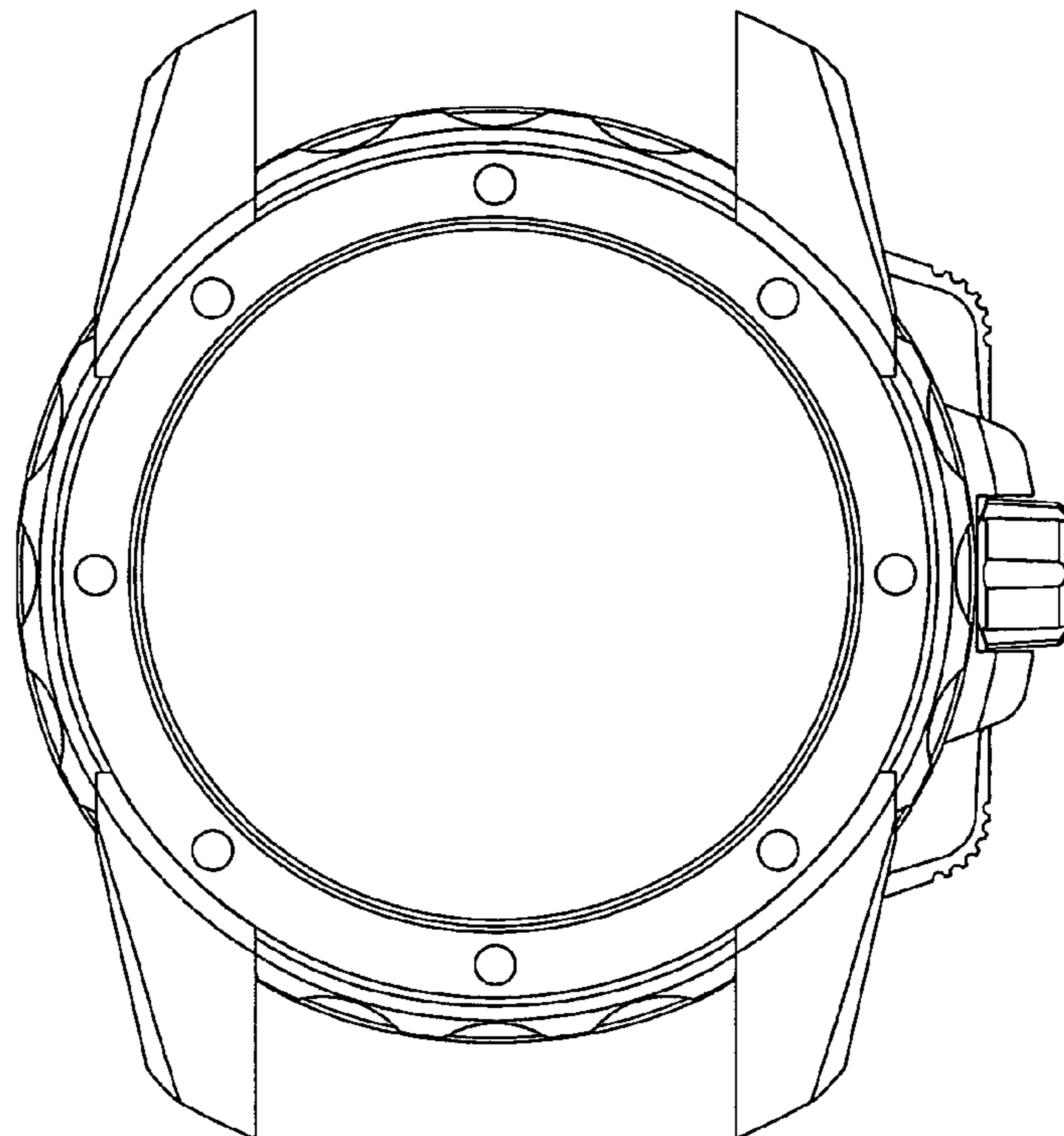
FIG. 4 is an elevational view of the right side of the case for a watch;

FIG. 5 is an elevational view of the left side opposite to that of FIG. 4;

FIG. 6 is an elevational view of one side of the case for a watch comprising the seat for a watch strap; and,

FIG. 7 is an elevational view of the side opposite to that of FIG. 6.

1 Claim, 4 Drawing Sheets



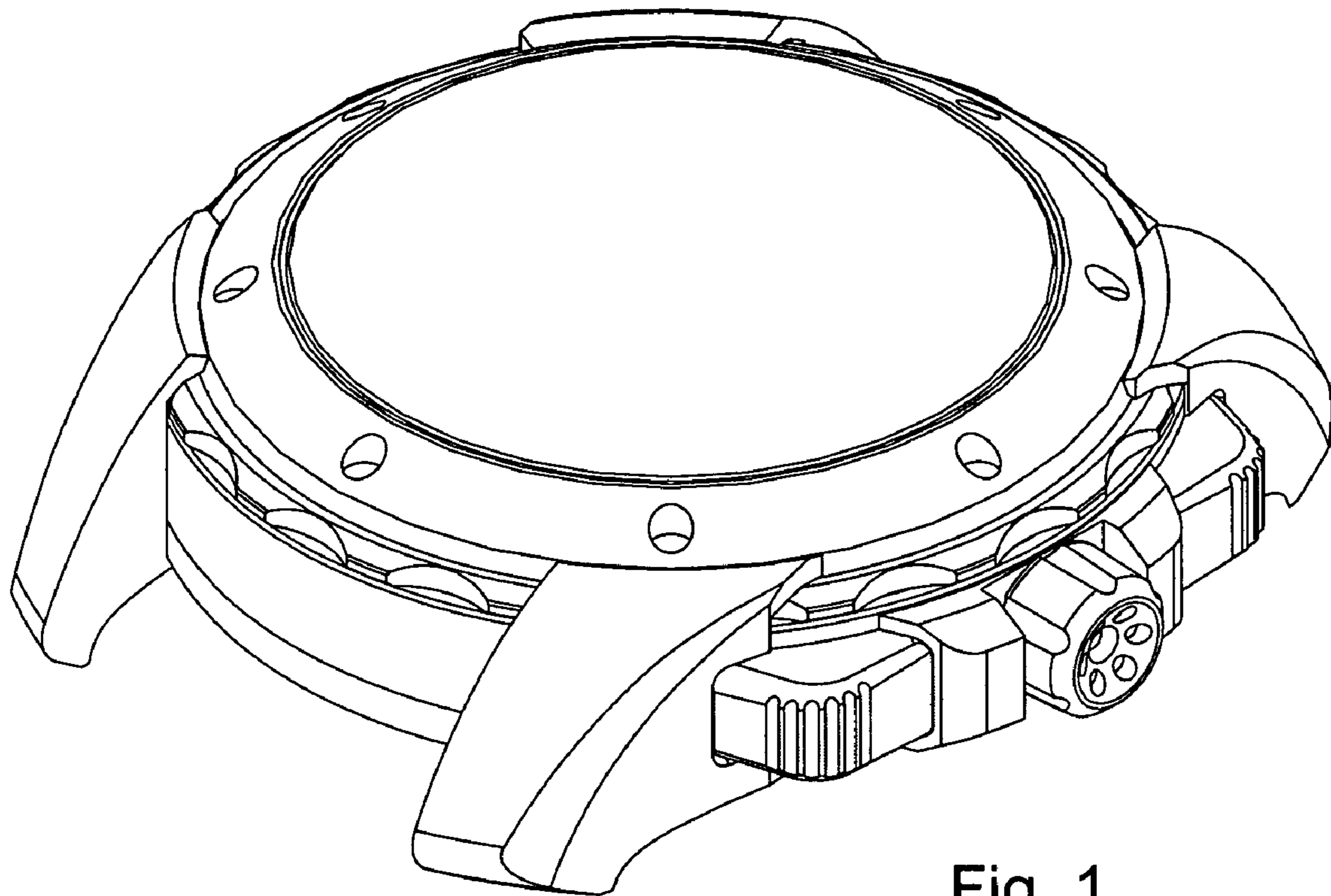


Fig. 1

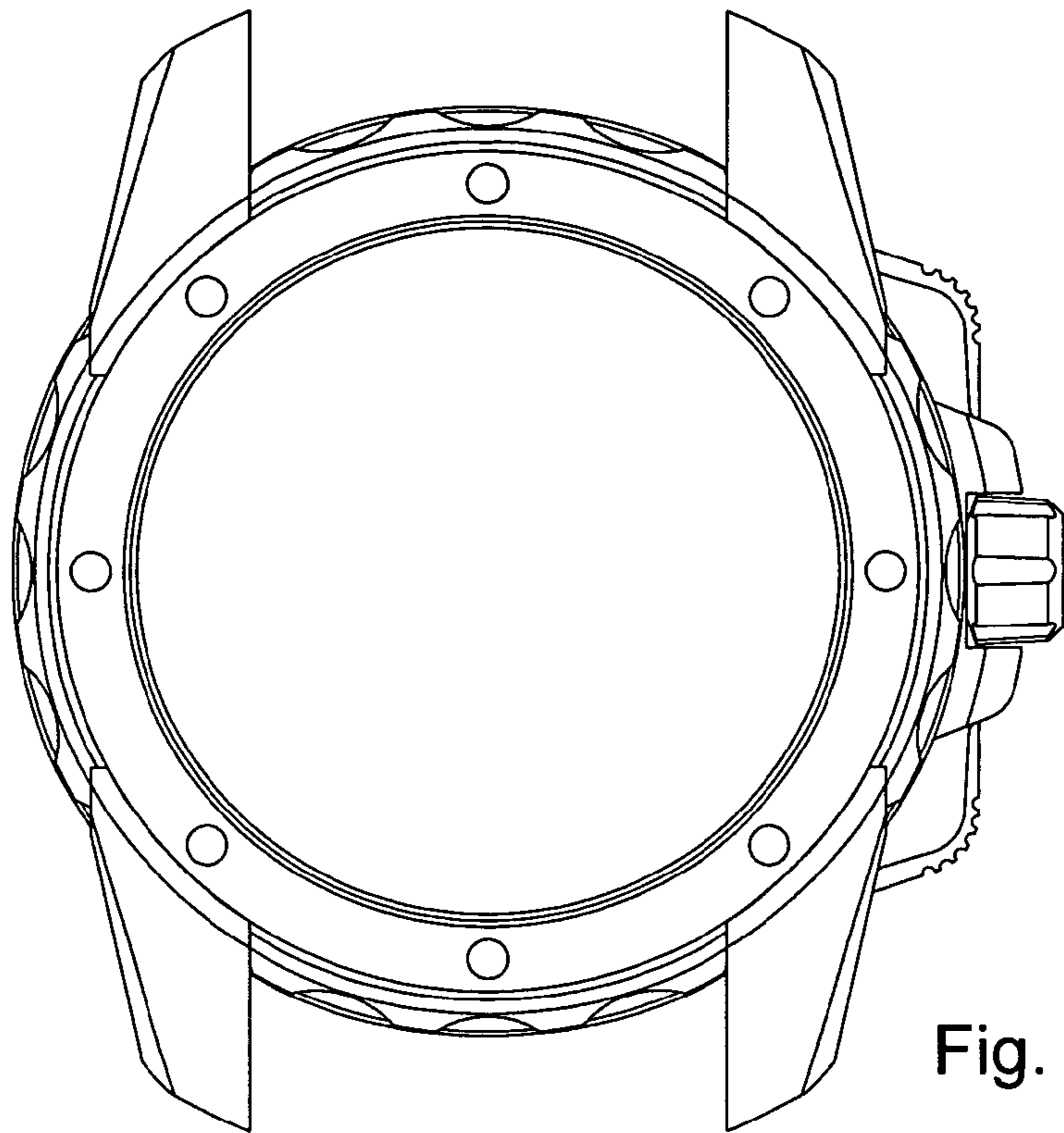


Fig. 2

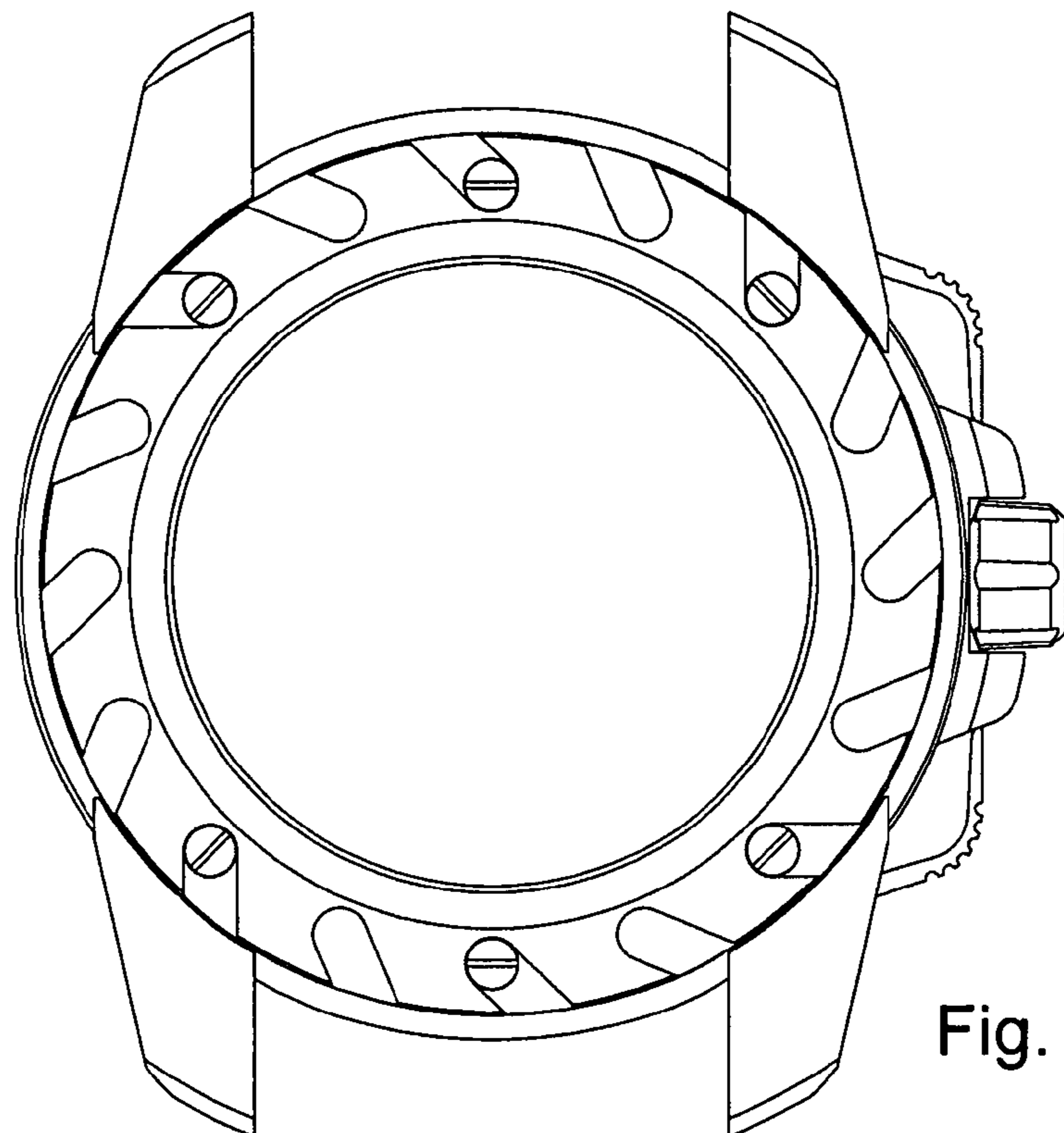


Fig. 3

Fig. 4

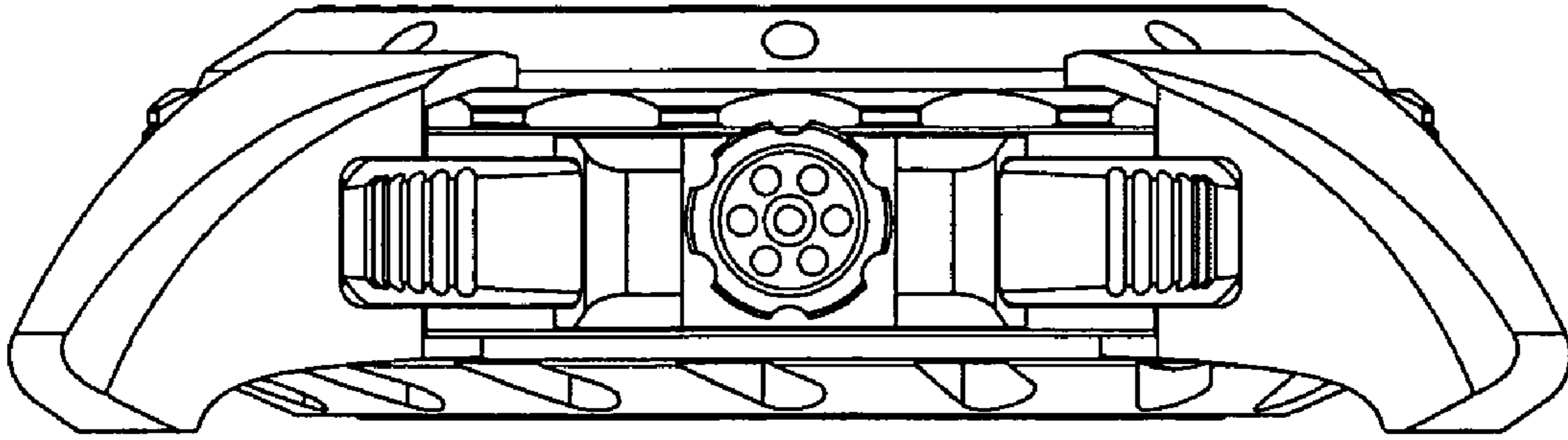


Fig. 5

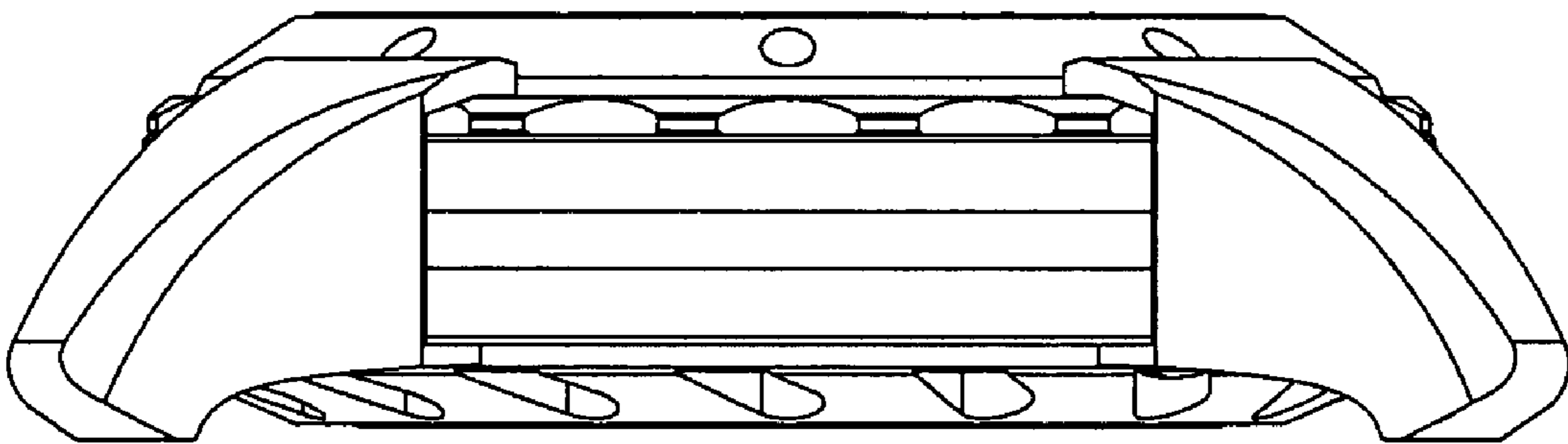


Fig. 6

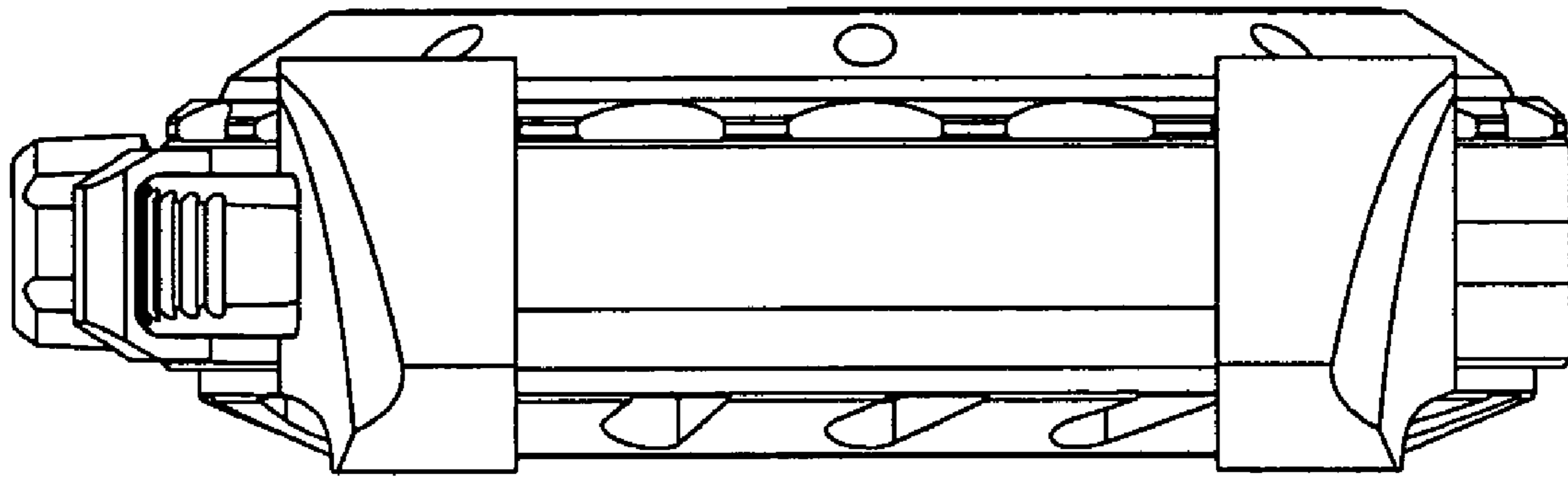


Fig. 7

