



US00D618561S

(12) **United States Design Patent**
Lee

(10) **Patent No.:** **US D618,561 S**
(45) **Date of Patent:** **** Jun. 29, 2010**

(54) **CONTAINER WITH APPLICATOR**

(75) Inventor: **Peggy Lee**, Brooklyn, NY (US)

(73) Assignee: **L'Oreal**, Paris (FR)

(**) Term: **14 Years**

(21) Appl. No.: **29/351,046**

(22) Filed: **Nov. 30, 2009**

(51) **LOC (9) Cl.** **09-01**

(52) **U.S. Cl.** **D9/726**

(58) **Field of Classification Search** D9/500,
D9/502-504, 519, 529, 549, 557, 558, 682,
D9/686-691, 694, 723-729, 900; 220/660-662,
220/669, 675; 206/219, 220, 221, 216, 217,
206/223; 215/379-383; D28/76, 78, 91,
D28/91.1; D24/222-224

See application file for complete search history.

(56) **References Cited**

U.S. PATENT DOCUMENTS

D240,711 S	*	7/1976	Angleman et al.	D9/726
D253,394 S	*	11/1979	Berghahn et al.	D9/726
D413,799 S	*	9/1999	Schlatter	D9/727
D438,297 S	*	2/2001	Audebourg	D23/366
D480,633 S	*	10/2003	Miranda	D9/504
D510,139 S	*	9/2005	Gilad et al.	D24/186

D516,923 S * 3/2006 Moore D9/682
D562,699 S * 2/2008 Green et al. D9/726

* cited by examiner

Primary Examiner—Daniel D Bui

Assistant Examiner—Thomas J Johannes

(74) *Attorney, Agent, or Firm*—Rabiya Kader; Steven Trzaska; Maria Luisa Balasta

(57) **CLAIM**

I claim the ornamental design for container with applicator, as shown and described.

DESCRIPTION

FIG. 1 is a perspective view of a container applicator showing my new design;

FIG. 2 is a front view thereof;

FIG. 3 is a rear view thereof;

FIG. 4 is a right side view thereof;

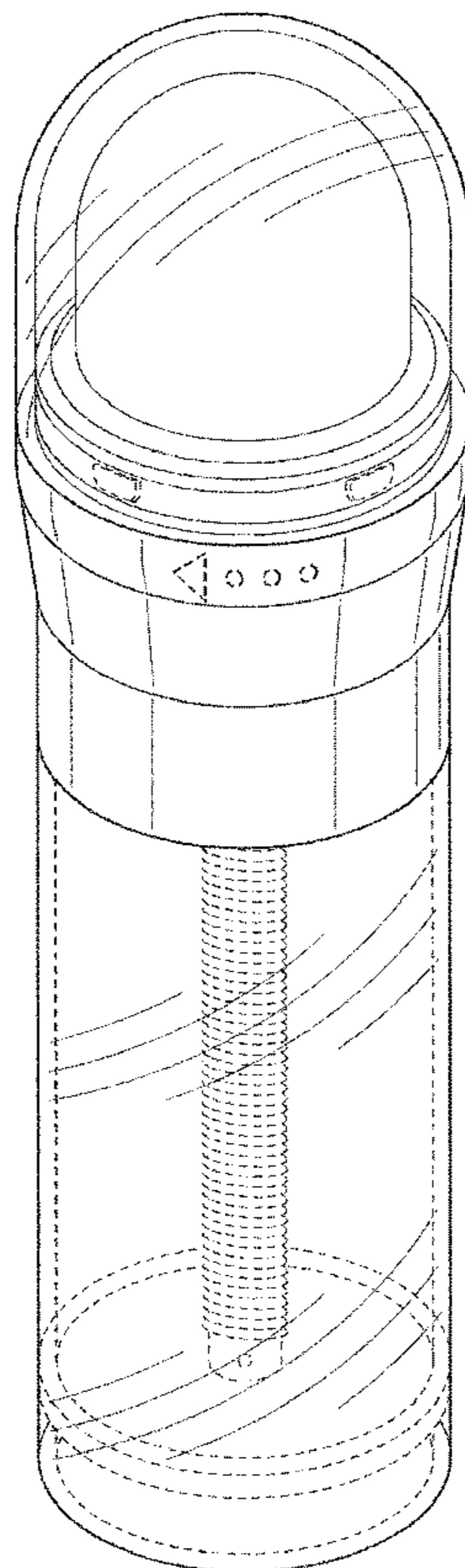
FIG. 5 is a left side view thereof;

FIG. 6 is a top view thereof; and,

FIG. 7 is a bottom view thereof.

The broken lines shown throughout these figures show unclaimed subject matter only and form no part of the claimed design.

1 Claim, 6 Drawing Sheets



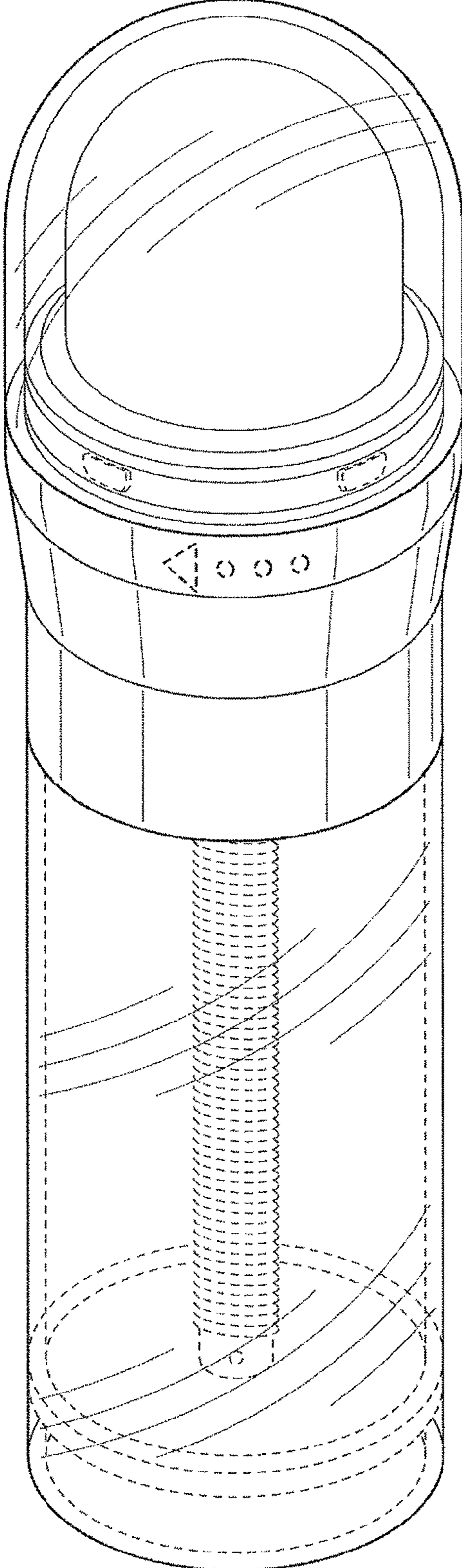


FIG. 1

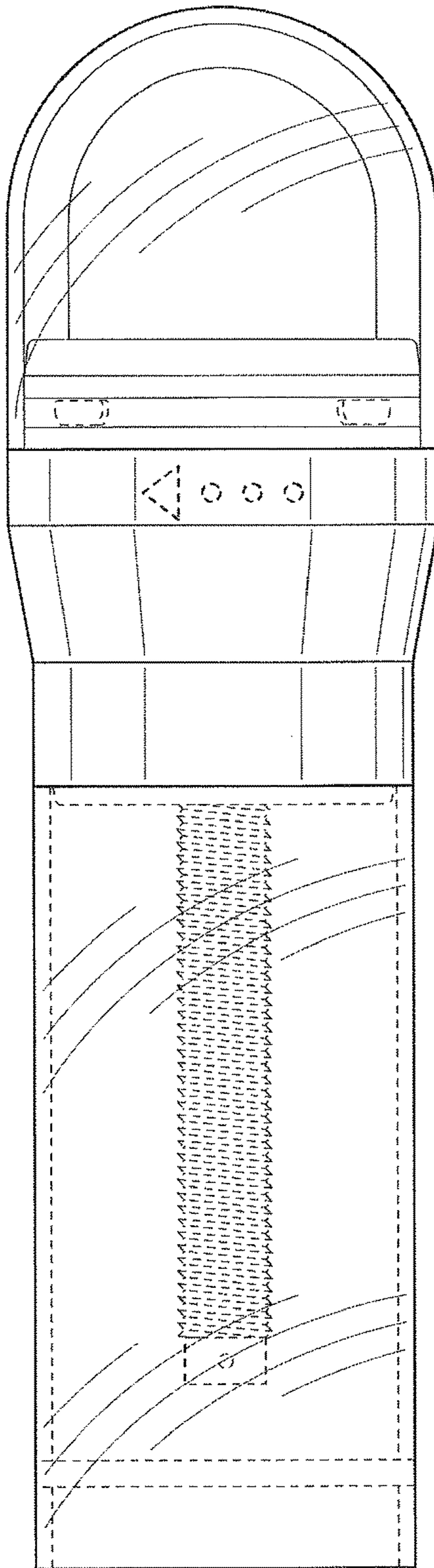


FIG. 2

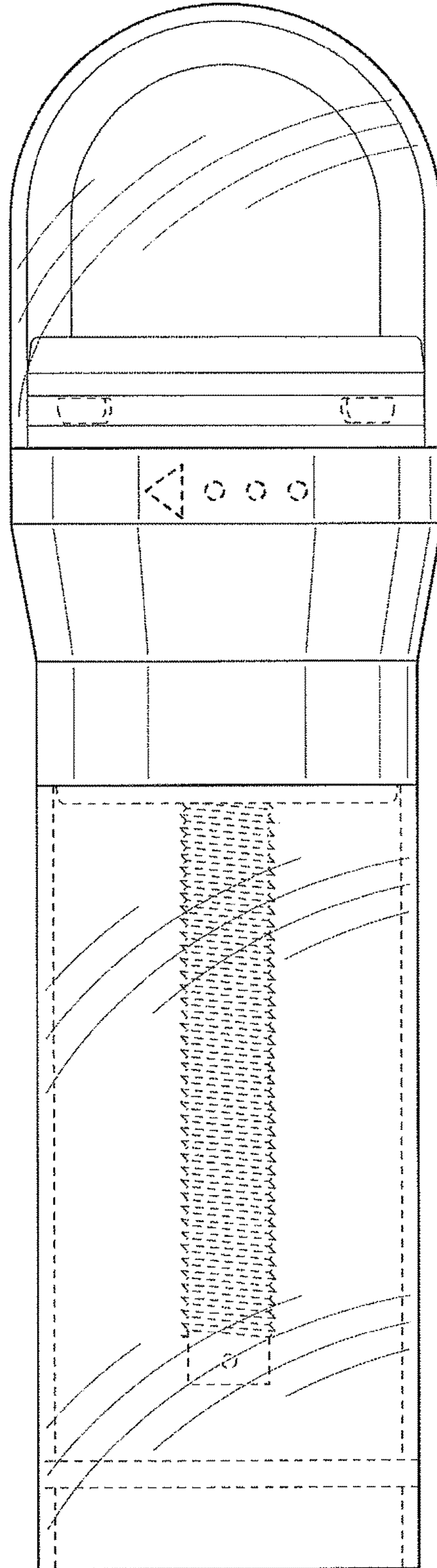


FIG. 3

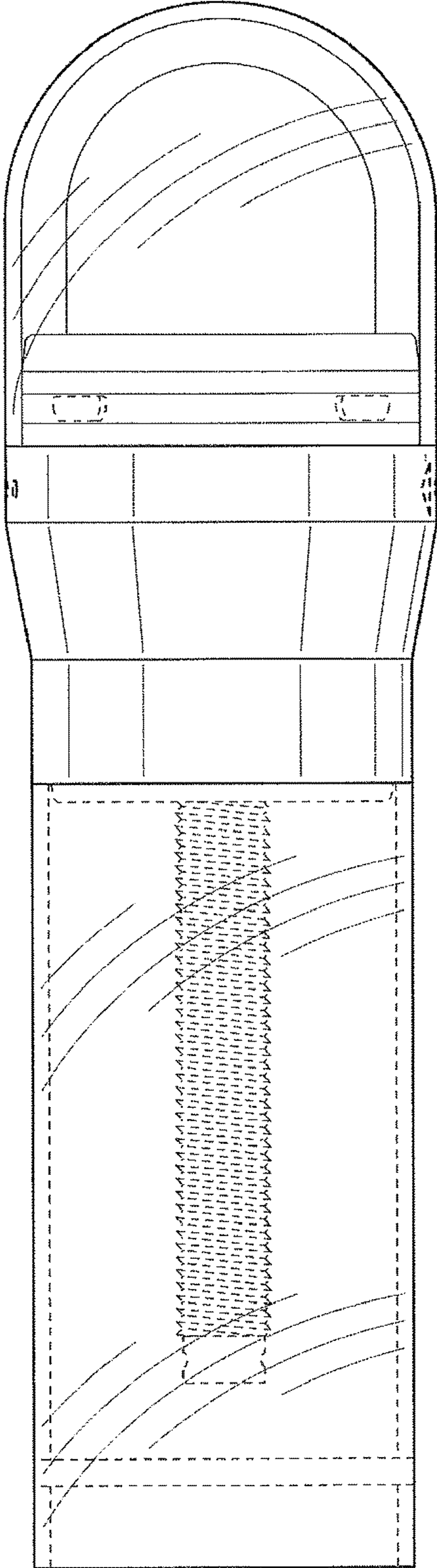


FIG. 4

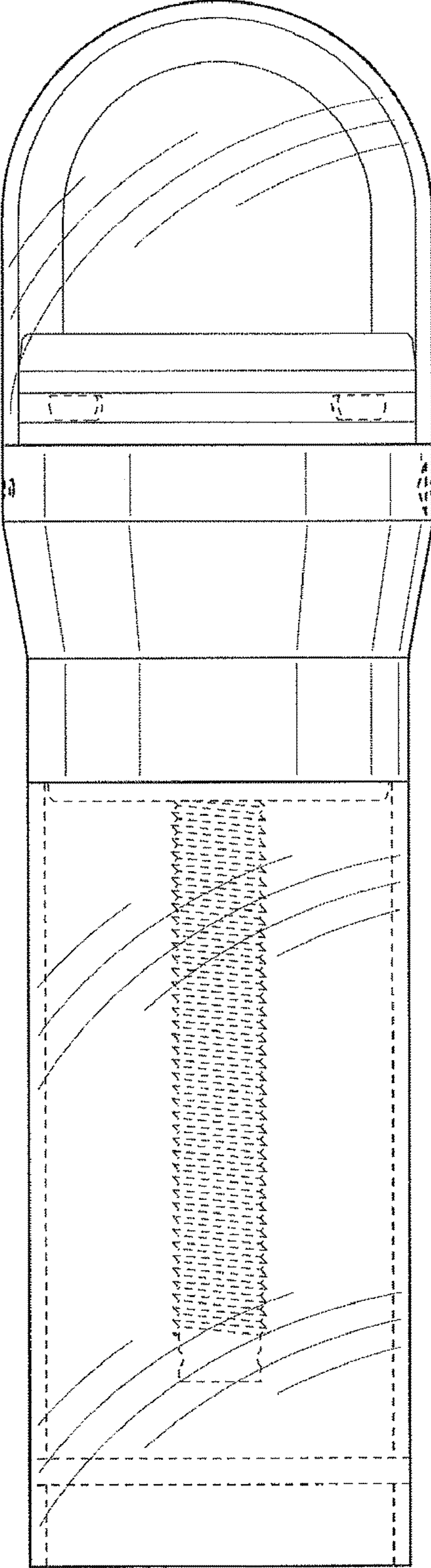


FIG. 5

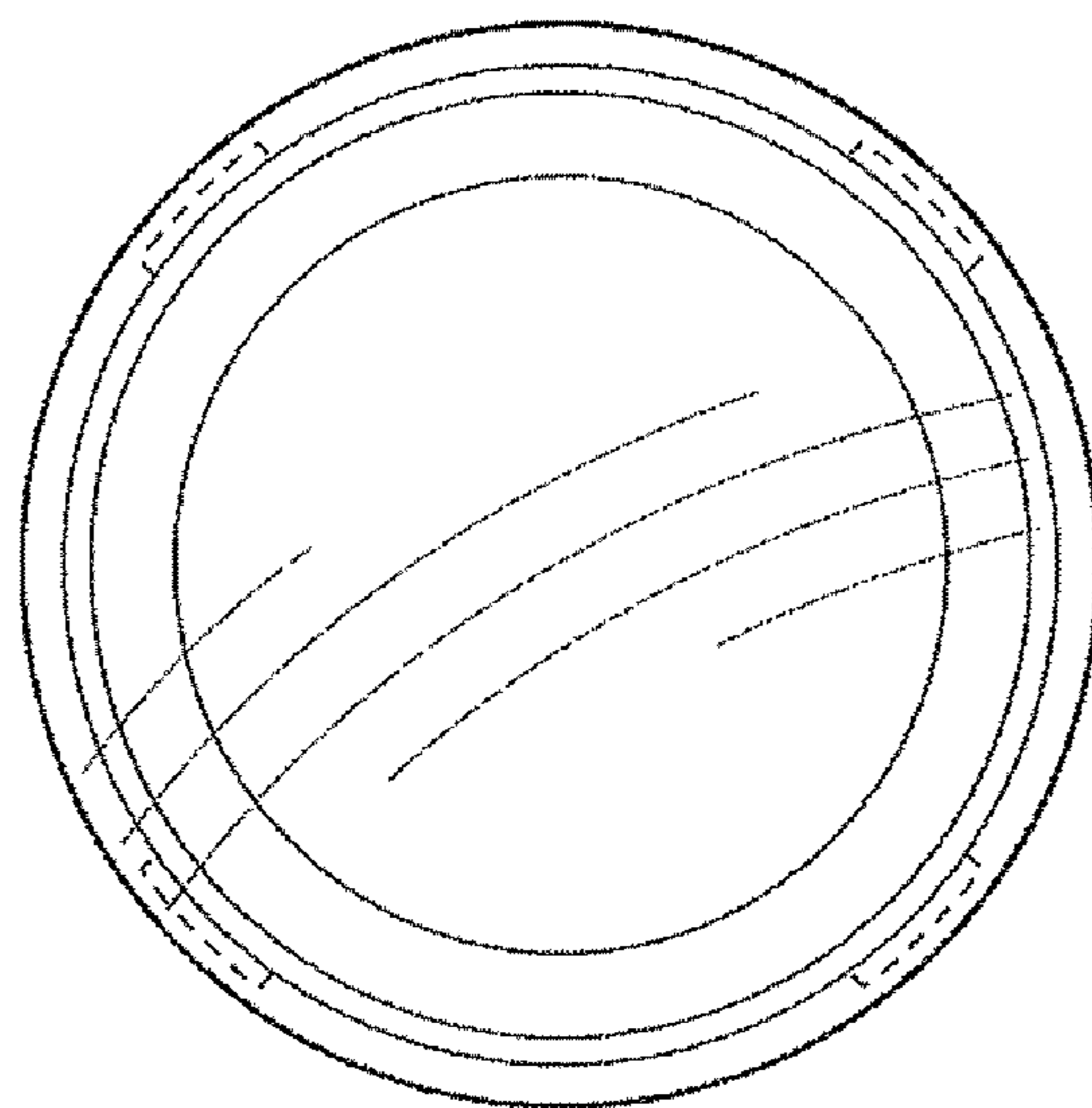


FIG. 6

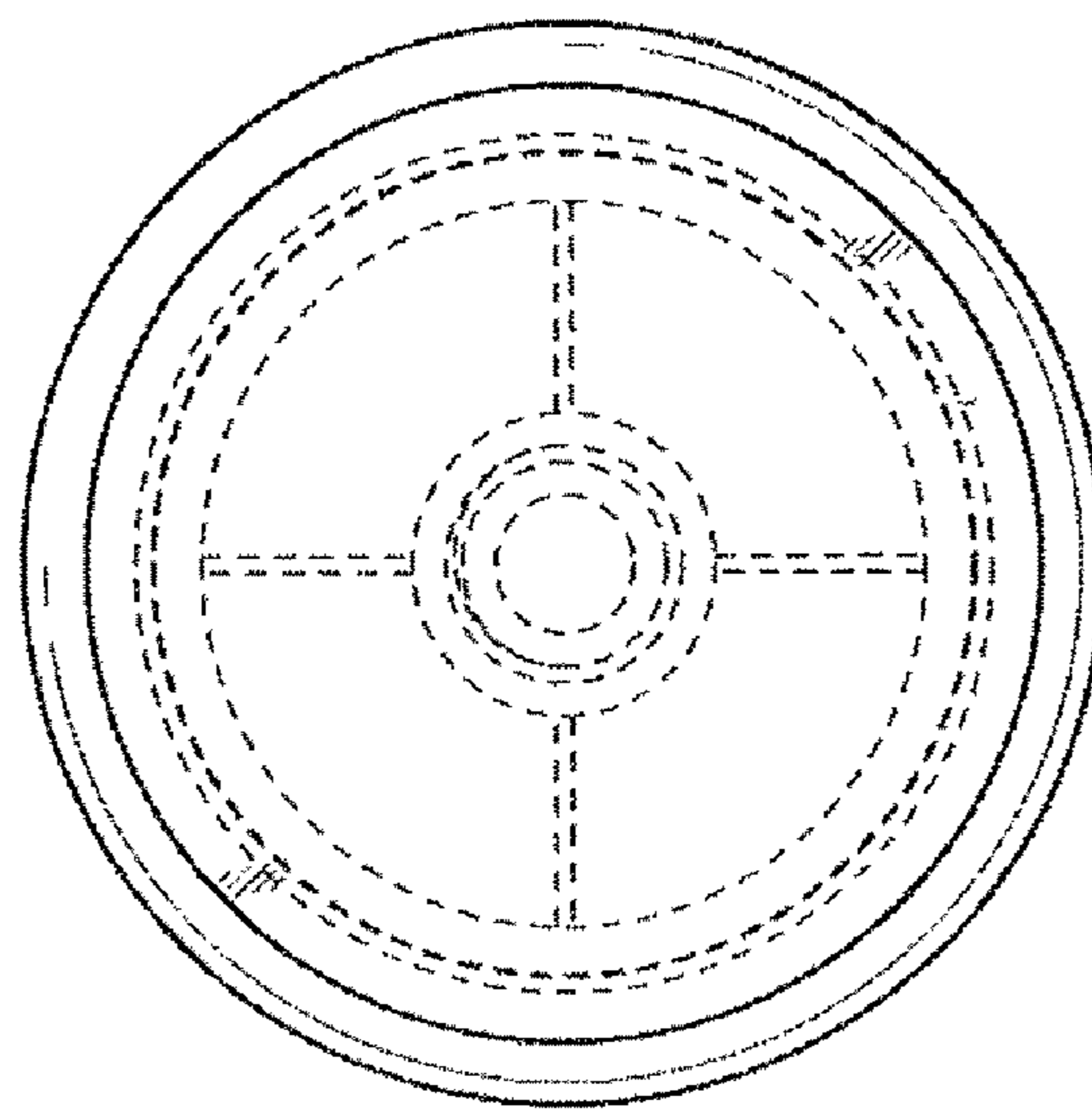


FIG. 7