



US00D618555S

(12) **United States Design Patent**
Adams

(10) **Patent No.:** **US D618,555 S**

(45) **Date of Patent:** **** Jun. 29, 2010**

(54) **SAUCE BOTTLE**

D488,575 S * 4/2004 Aguilera D26/40
D540,180 S * 4/2007 Edwards D9/600

(76) **Inventor:** **Vincent H Adams**, 5209 Mile Course
Walk, Virginia Beach, VA (US) 23455

OTHER PUBLICATIONS

Avon 1975 Catalog, p. 52. Hydrant container.*

(**) **Term:** **14 Years**

* cited by examiner

(21) **Appl. No.:** **29/340,585**

Primary Examiner—Sandra Morris

(22) **Filed:** **Jul. 21, 2009**

(74) *Attorney, Agent, or Firm*—Crossley Patent Law; Mark A. Crossley

(51) **LOC (9) Cl.** **09-01**

(57) **CLAIM**

(52) **U.S. Cl.** **D9/600**

The ornamental design for a sauce bottle, as shown and described.

(58) **Field of Classification Search** D9/600;

D23/234; D30/160; 206/457, 527; 215/400;

D7/514–517, 301, 599, 619.2, 628; D3/270–271.1

See application file for complete search history.

DESCRIPTION

(56) **References Cited**

FIG. 1 is a front elevation view of a sauce bottle showing my new design;

FIG. 2 is a rear elevation view thereof;

FIG. 3 is a right elevation view thereof;

FIG. 4 is a left elevation view thereof;

FIG. 5 is a top plan view thereof; and,

FIG. 6 is a bottom plan view thereof.

U.S. PATENT DOCUMENTS

D231,306 S * 4/1974 Breglia D7/599

D240,062 S * 5/1976 Satten D23/234

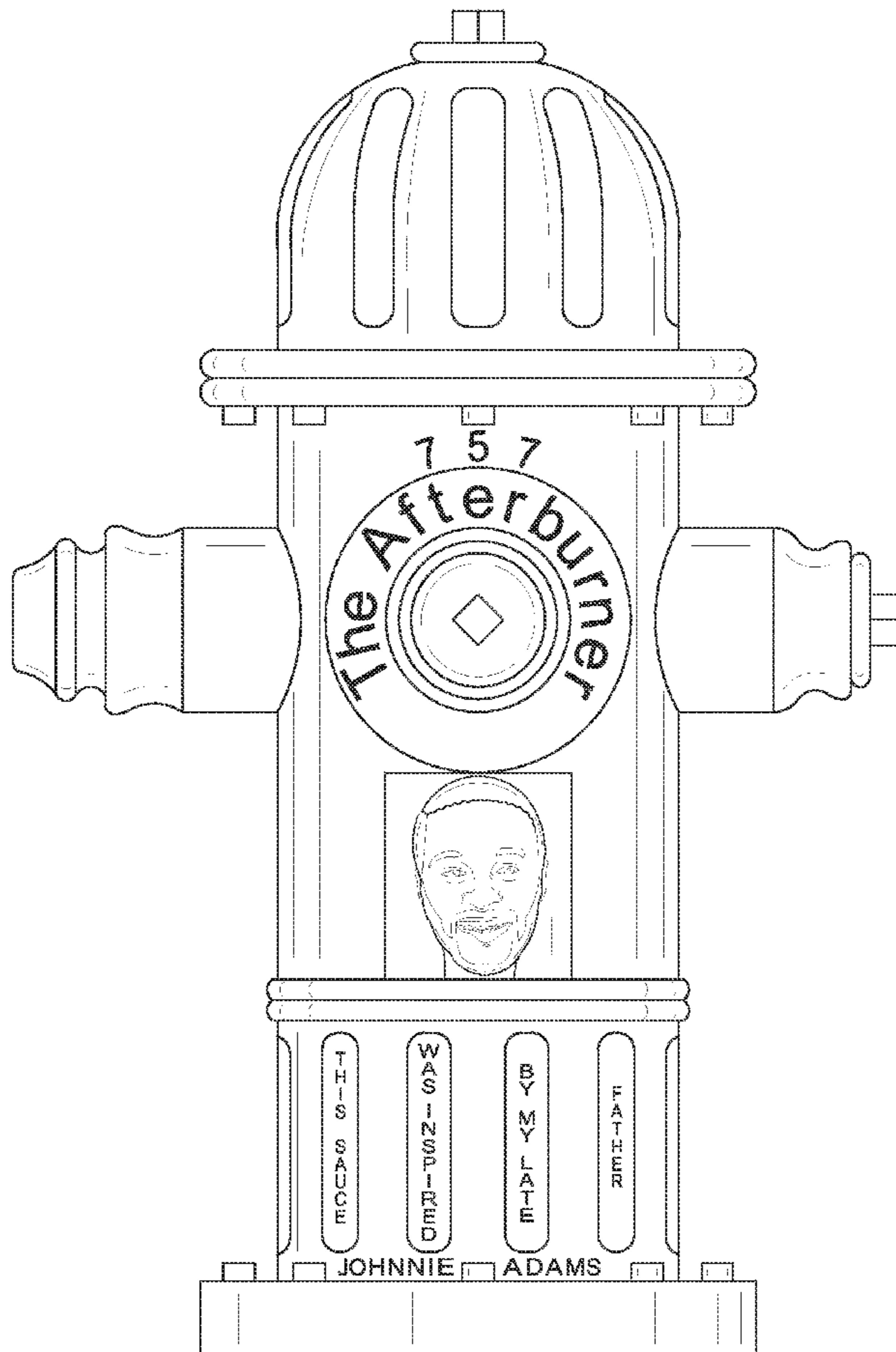
D328,620 S * 8/1992 Maple D23/234

5,258,198 A 11/1993 Bastian et al.

5,803,110 A * 9/1998 Segal 137/68.14

D480,243 S * 10/2003 Edwards et al. D23/234

1 Claim, 5 Drawing Sheets



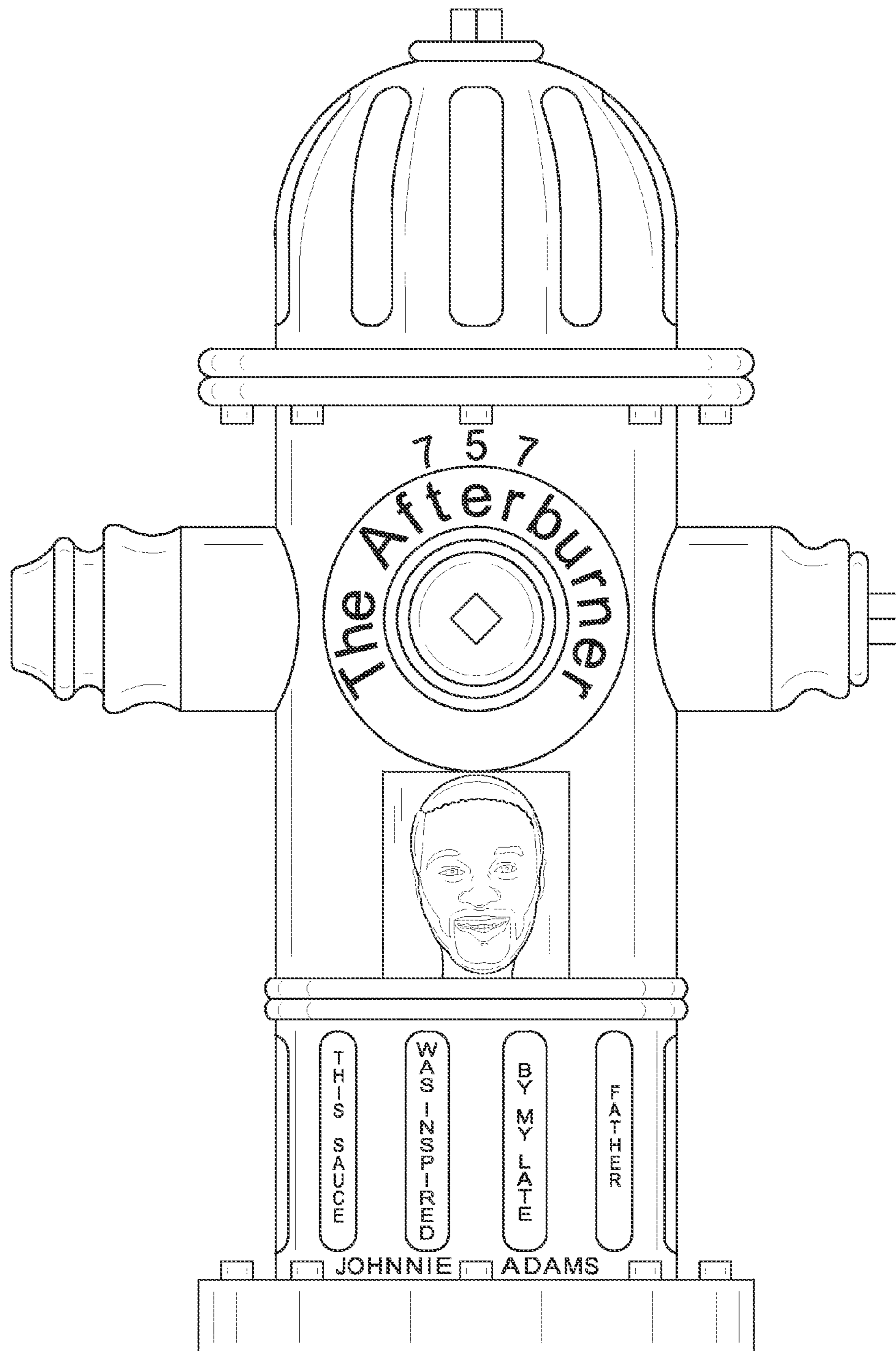


FIG. 1

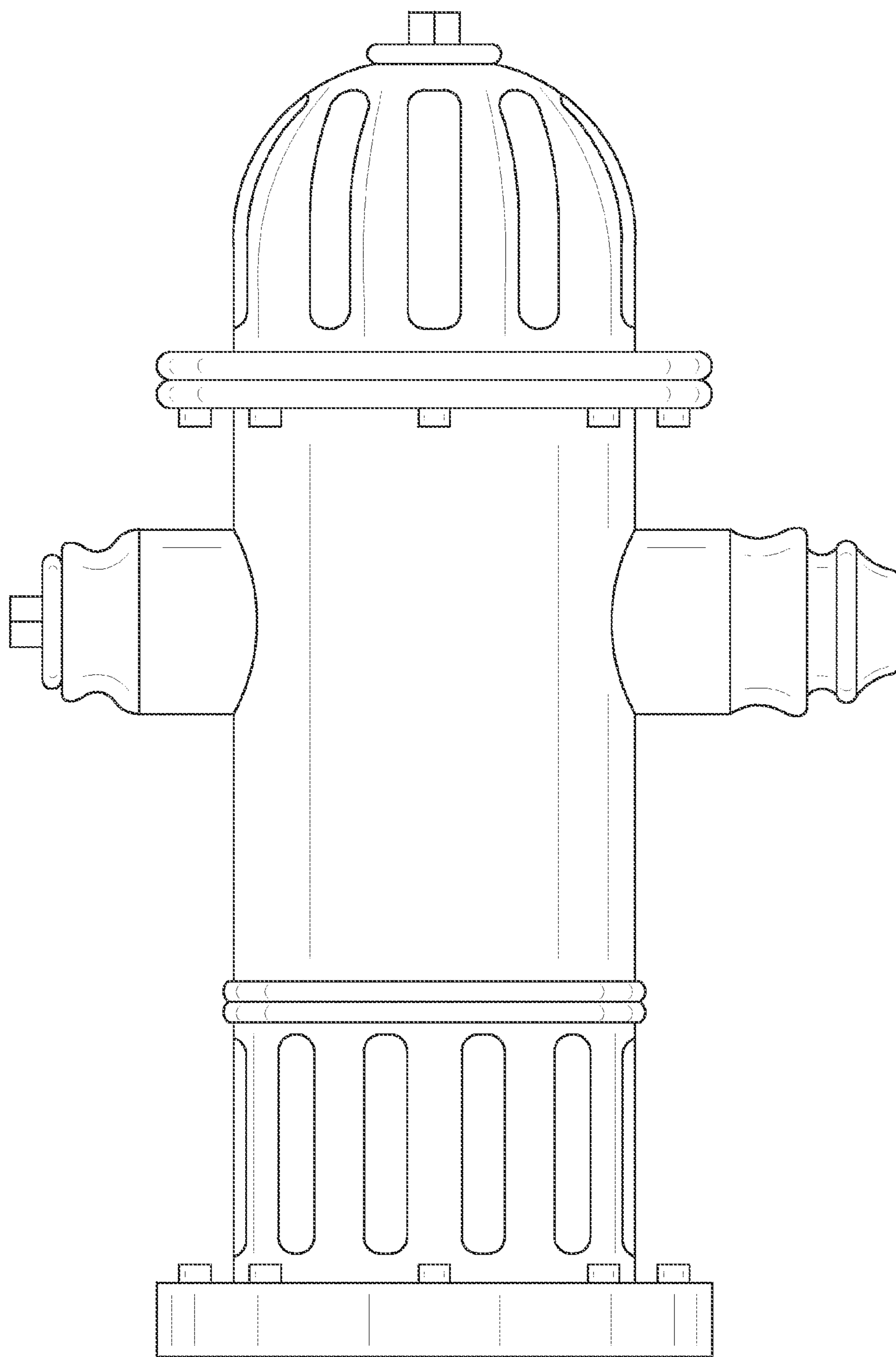


FIG. 2

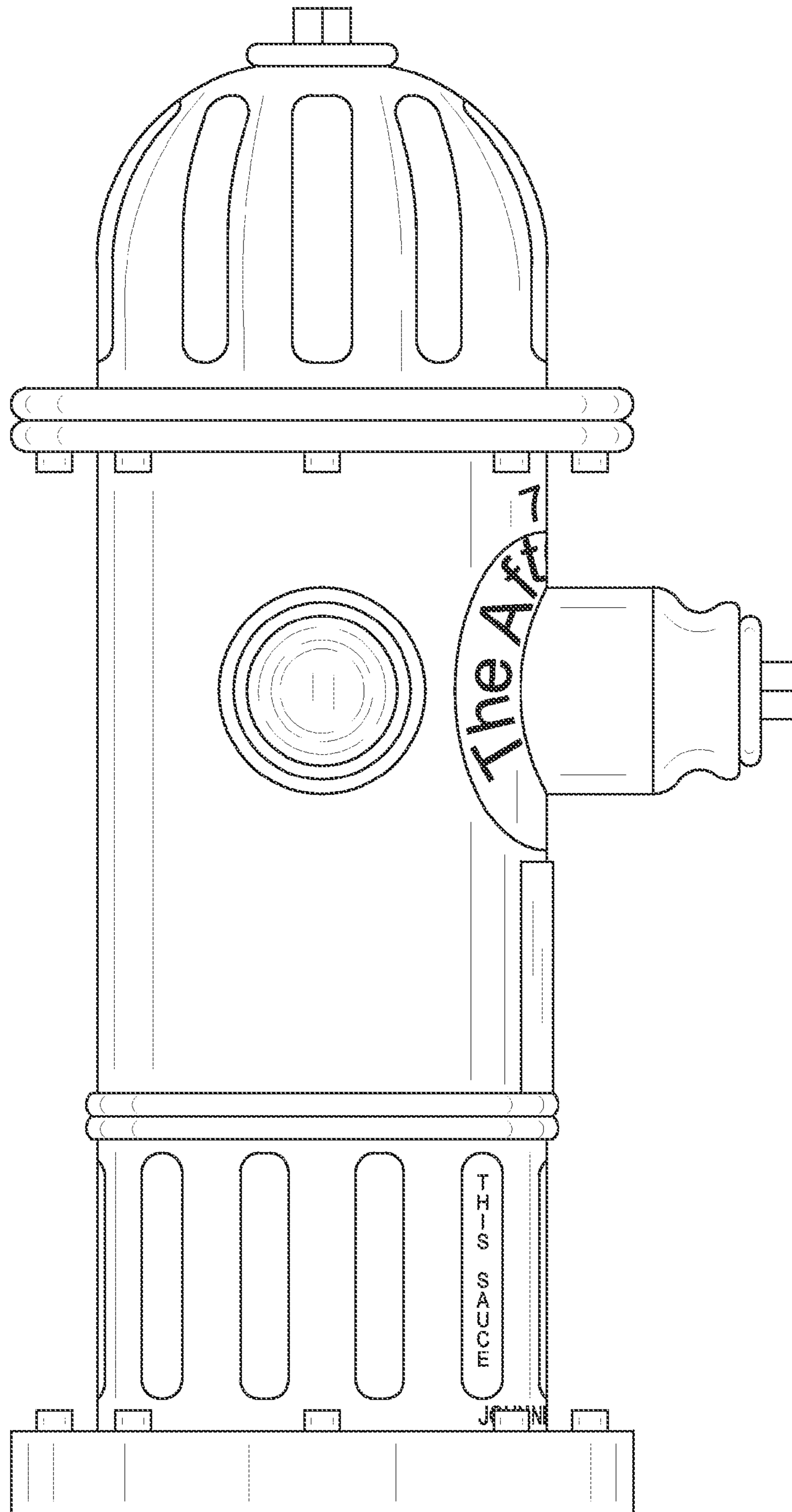


FIG. 3

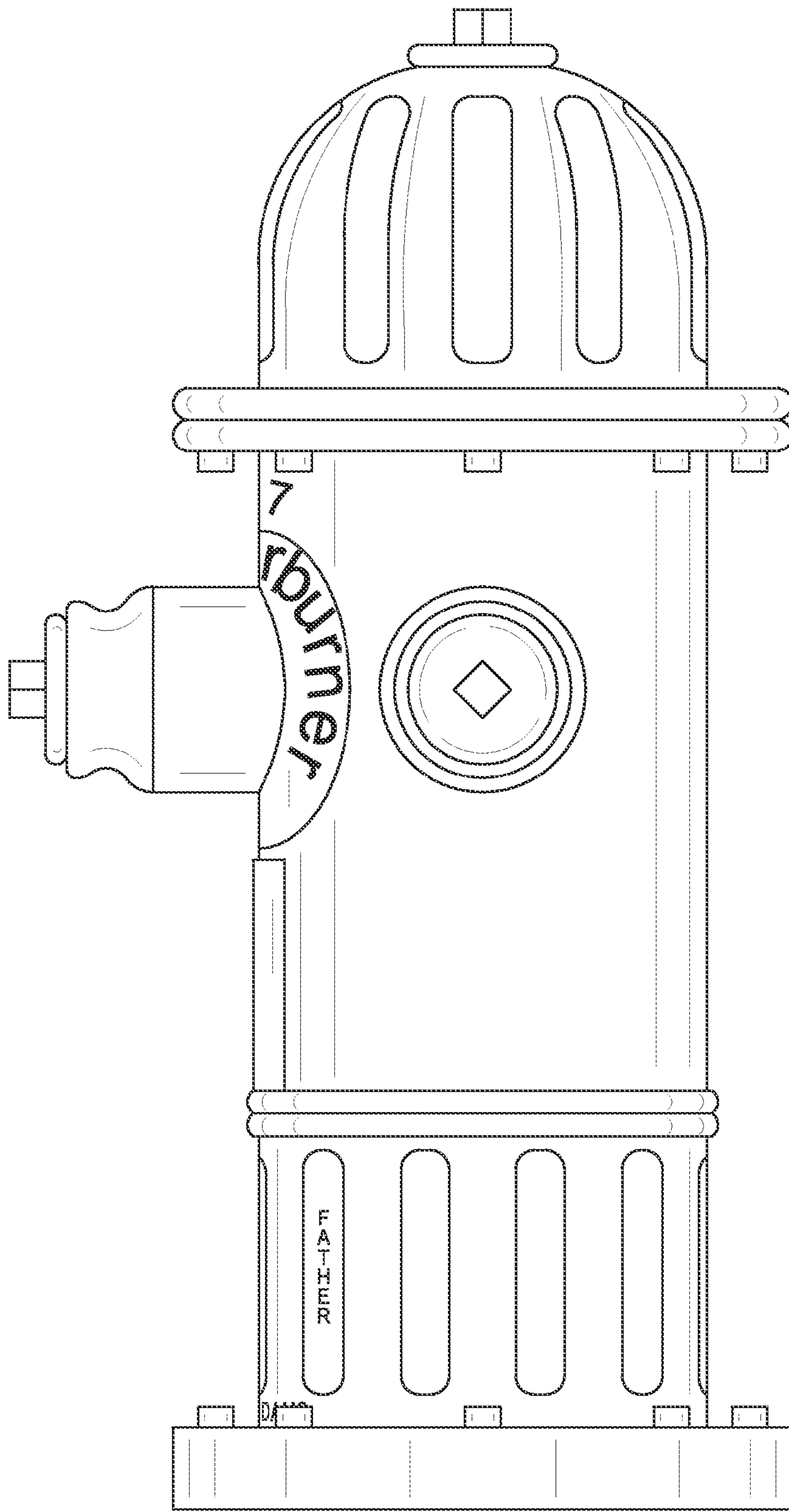


FIG. 4

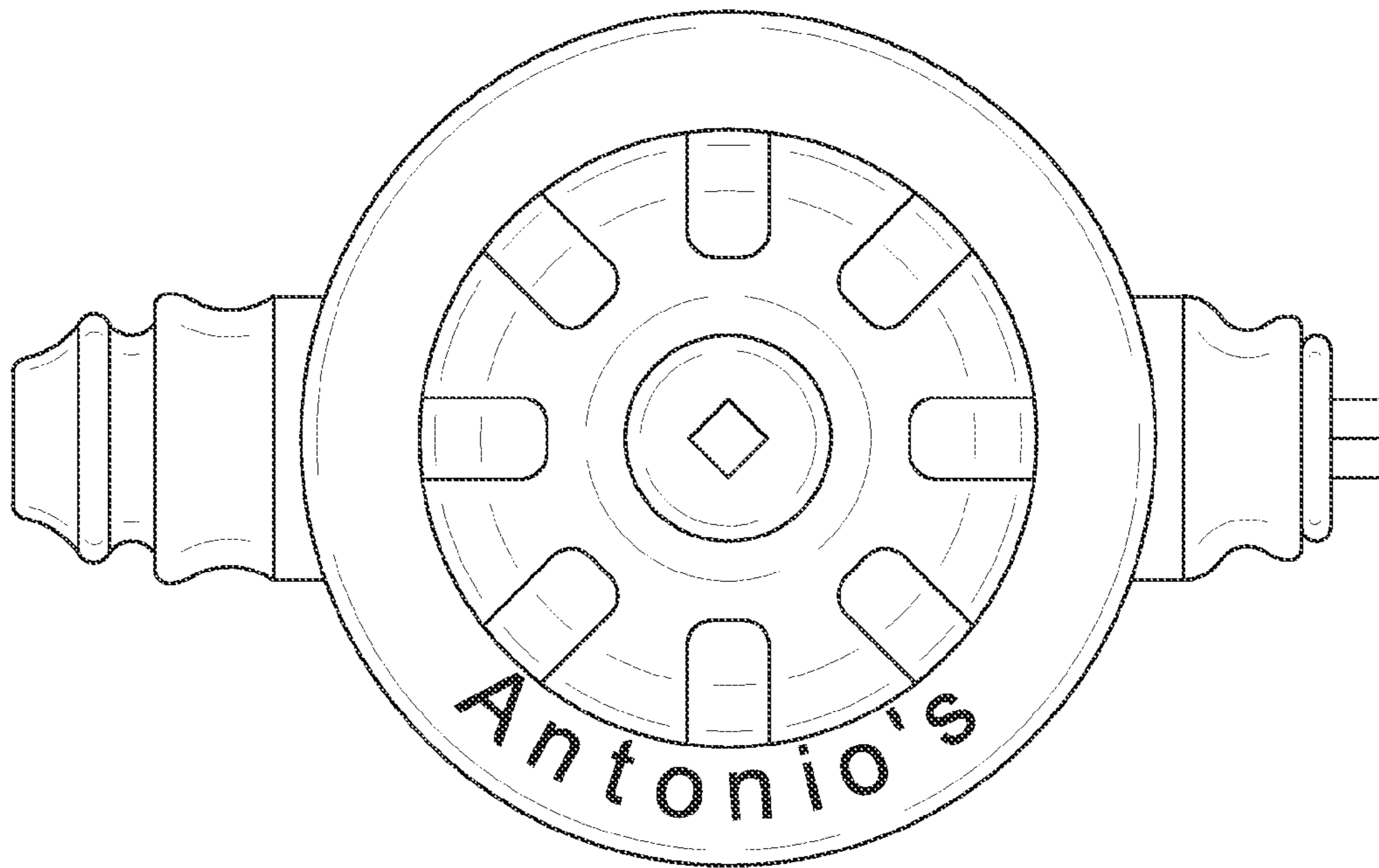


FIG. 5

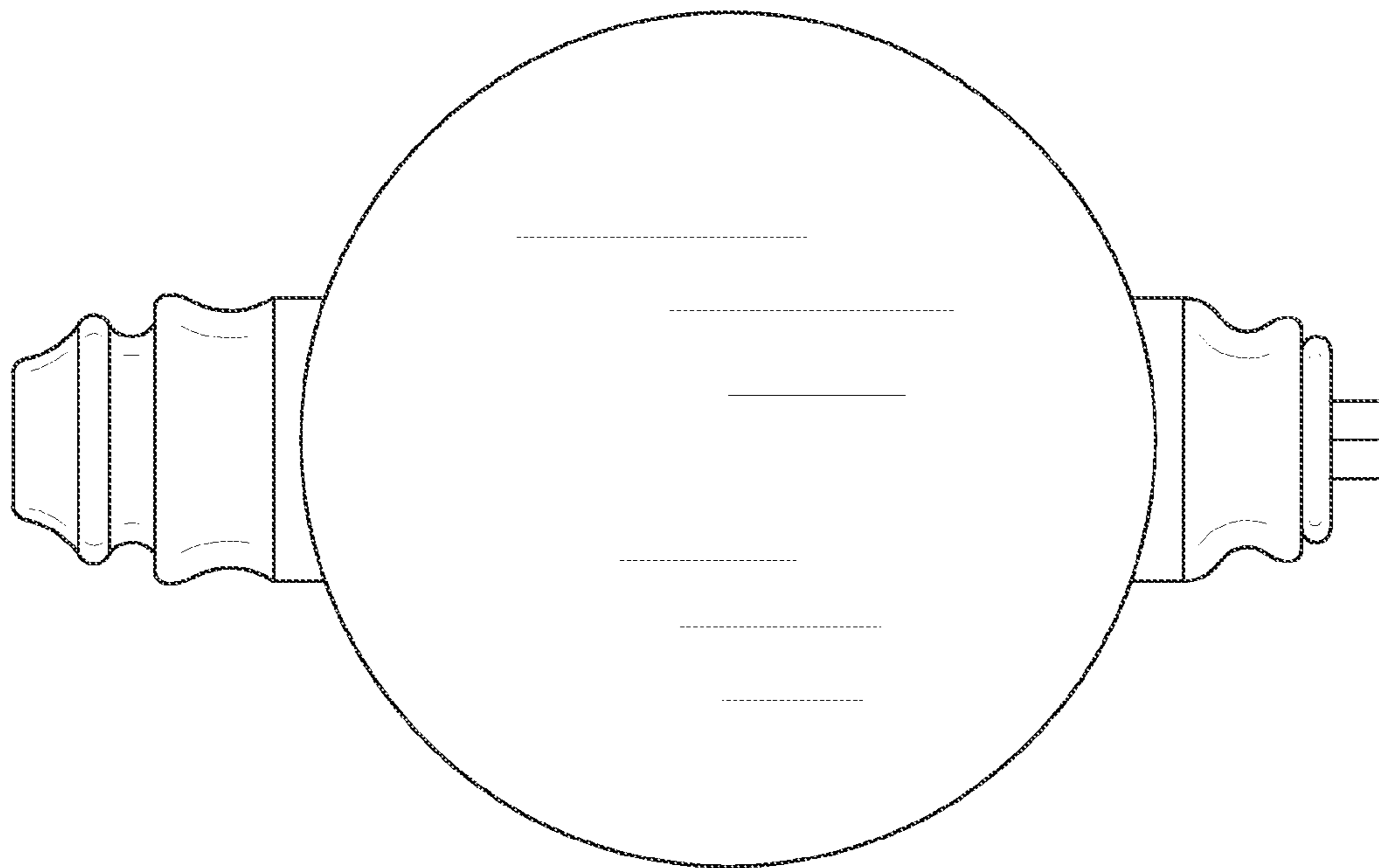


FIG. 6