



US00D618550S

(12) **United States Design Patent**  
**De Haan**

(10) **Patent No.:** **US D618,550 S**  
(45) **Date of Patent:** **\*\* Jun. 29, 2010**

(54) **BOTTLE**

(75) Inventor: **Timothy De Haan**, Wilmington, DE  
(US)

(73) Assignee: **Brandywine Product Group**  
**International Inc.**, Wilmington, DE  
(US)

(\*\*) Term: **14 Years**

(21) Appl. No.: **29/350,177**

(22) Filed: **Nov. 12, 2009**

(51) **LOC (9) Cl.** ..... **09-01**

(52) **U.S. Cl.** ..... **D9/522; D9/523; D9/543;**  
**D9/571; D9/575; D9/520**

(58) **Field of Classification Search** ..... D9/516,  
D9/522, 523, 529, 530, 542-543, 574-575;  
D23/366; 215/382-284; 392/403; D4/114,  
D4/116

See application file for complete search history.

(56) **References Cited**

**U.S. PATENT DOCUMENTS**

- D123,235 S \* 10/1940 Neuschaefer ..... D9/522
- D160,209 S \* 9/1950 Piccoli ..... D9/571
- 5,038,394 A 8/1991 Hasegawa et al.
- 5,222,186 A 6/1993 Schimanski et al.
- 5,290,546 A 3/1994 Hasegawa et al.
- 5,529,417 A \* 6/1996 Burrlader ..... 401/129
- 5,647,053 A 7/1997 Schroeder et al.
- D386,974 S 12/1997 Wefler
- 5,909,845 A 6/1999 Greatbatch et al.
- 6,104,867 A 8/2000 Stathakis et al.
- D432,222 S 10/2000 Rymer et al.
- D433,744 S 11/2000 Basaganas
- D439,319 S 3/2001 Wolpert
- D444,220 S \* 6/2001 Basaganas ..... D23/366
- 6,278,840 B1 8/2001 Basaganas Millan
- 6,285,830 B1 9/2001 Basaganas Millan
- D461,549 S 8/2002 Garcia
- 6,466,739 B2 10/2002 Ambrosi et al.
- D478,512 S \* 8/2003 Duston et al. .... D9/522

- D479,804 S \* 9/2003 Wolpert et al. .... D9/574
- 6,622,662 B1 9/2003 Wolpert et al.
- 6,659,301 B2 12/2003 Fellows et al.
- D488,213 S \* 4/2004 Millan ..... D23/366
- 6,766,773 B2 7/2004 Wolpert et al.
- 6,792,199 B2 9/2004 Levine et al.
- D501,921 S 2/2005 Caserta et al.
- 6,854,717 B2 2/2005 Millan
- 6,859,615 B2 2/2005 Yip et al.
- 6,862,403 B2 3/2005 Pedrotti et al.
- D503,621 S 4/2005 Heater
- D505,080 S \* 5/2005 Cagle ..... D9/571
- D505,330 S 5/2005 Wolpert
- 6,931,202 B2 8/2005 Pedrotti et al.
- D510,423 S 10/2005 Caserta et al.
- 6,968,124 B1 11/2005 Varanasi et al.
- 7,014,818 B2 3/2006 Rymer
- D518,730 S 4/2006 Caserta et al.

(Continued)

*Primary Examiner*—CAroal Rademaker  
(74) *Attorney, Agent, or Firm*—Connolly Bove Lodge & Hutz  
LLP

(57) **CLAIM**

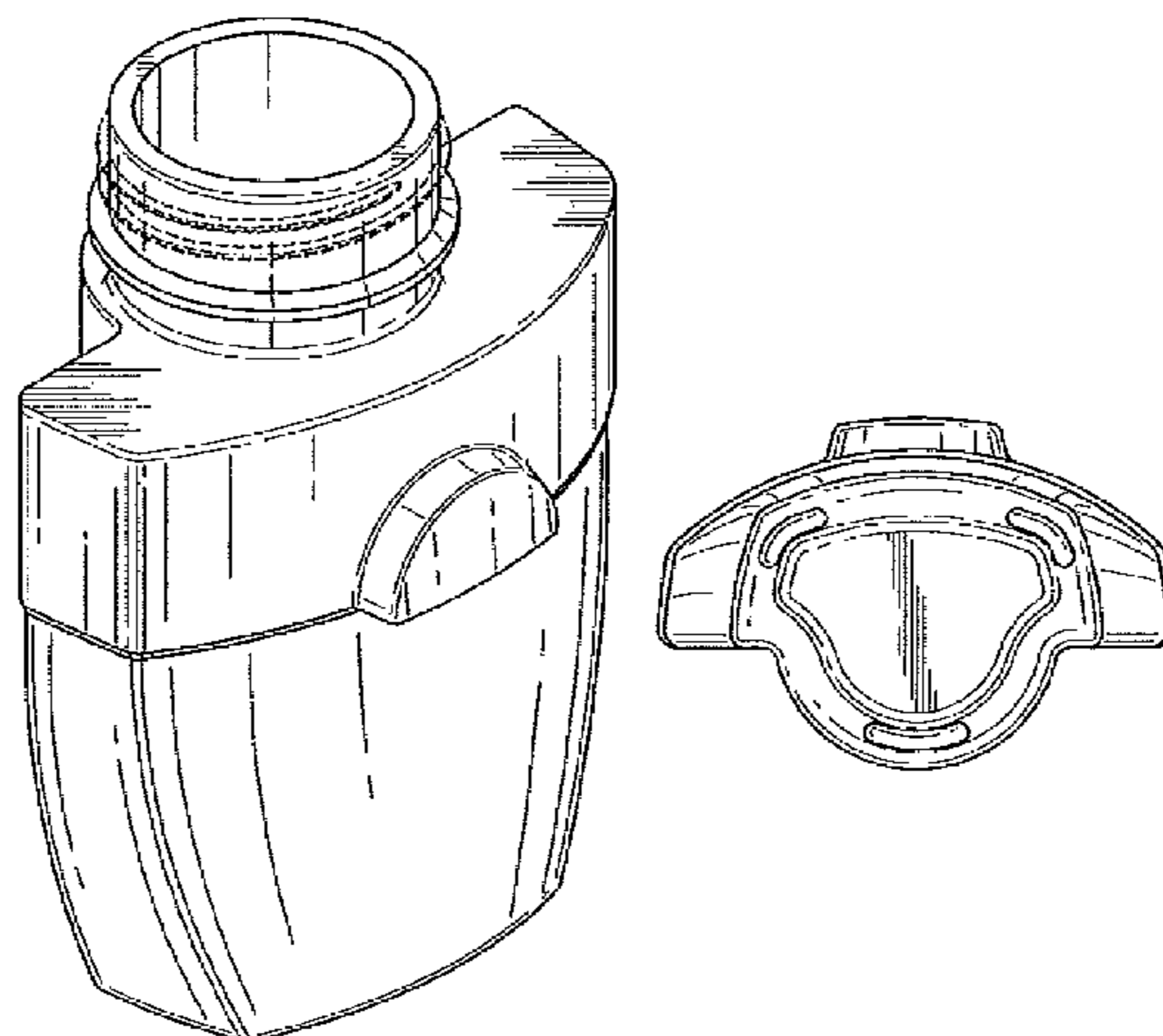
The ornamental design for a bottle, as shown and described.

**DESCRIPTION**

FIG. 1 is top, left, front perspective view of a bottle showing the invention;  
FIG. 2 is a top plan view thereof;  
FIG. 3 is a bottom plan view thereof;  
FIG. 4 is a front elevational view thereof;  
FIG. 5 is a rear elevational view thereof;  
FIG. 6 is a right side elevational view thereof; and,  
FIG. 7 is a left side elevational view thereof.

The broken line showing of a thread on the pour spout opening the drawing views is included for the purpose of showing environmental structure that forms no part of the claimed design.

**1 Claim, 2 Drawing Sheets**



# US D618,550 S

Page 2

---

## U.S. PATENT DOCUMENTS

7,140,553	B2	11/2006	Zobe			
D536,979	S *	2/2007	Caserta et al.	.....	D9/575 X	
D536,980	S *	2/2007	Smith et al.	.....	D9/522	
D537,351	S *	2/2007	Caserta et al.	.....	D9/522	
D537,354	S *	2/2007	Caserta et al.	.....	D9/543	
D539,892	S	4/2007	Caserta et al.			
7,209,650	B2	4/2007	Caserta et al.			
D556,582	S *	12/2007	Heijdenrijk	.....	D9/522	
D561,883	S	2/2008	Cantoni et al.			
D567,920	S	4/2008	Cantoni et al.			
D567,923	S	4/2008	Turchi et al.			
D568,454	S	5/2008	Bellofatto et al.			
D568,978	S	5/2008	Kennedy et al.			
RE40,392	E	6/2008	Rymer et al.			
D573,705	S	7/2008	Turchi et al.			
D582,537	S	12/2008	Kay et al.			
D583,038	S	12/2008	Kay et al.			
D583,039	S	12/2008	Kay et al.			
D583,457	S	12/2008	Kay et al.			
D590,270	S *	4/2009	Friedman et al.	.....	D9/522 X	
D604,619	S *	11/2009	Tebe Poves et al.	.....	D9/522	
D606,644	S *	12/2009	Butler et al.	.....	D23/366	
2002/0172512	A1	11/2002	Stathakis et al.			
2006/0110144	A1	5/2006	Fellows et al.			

\* cited by examiner

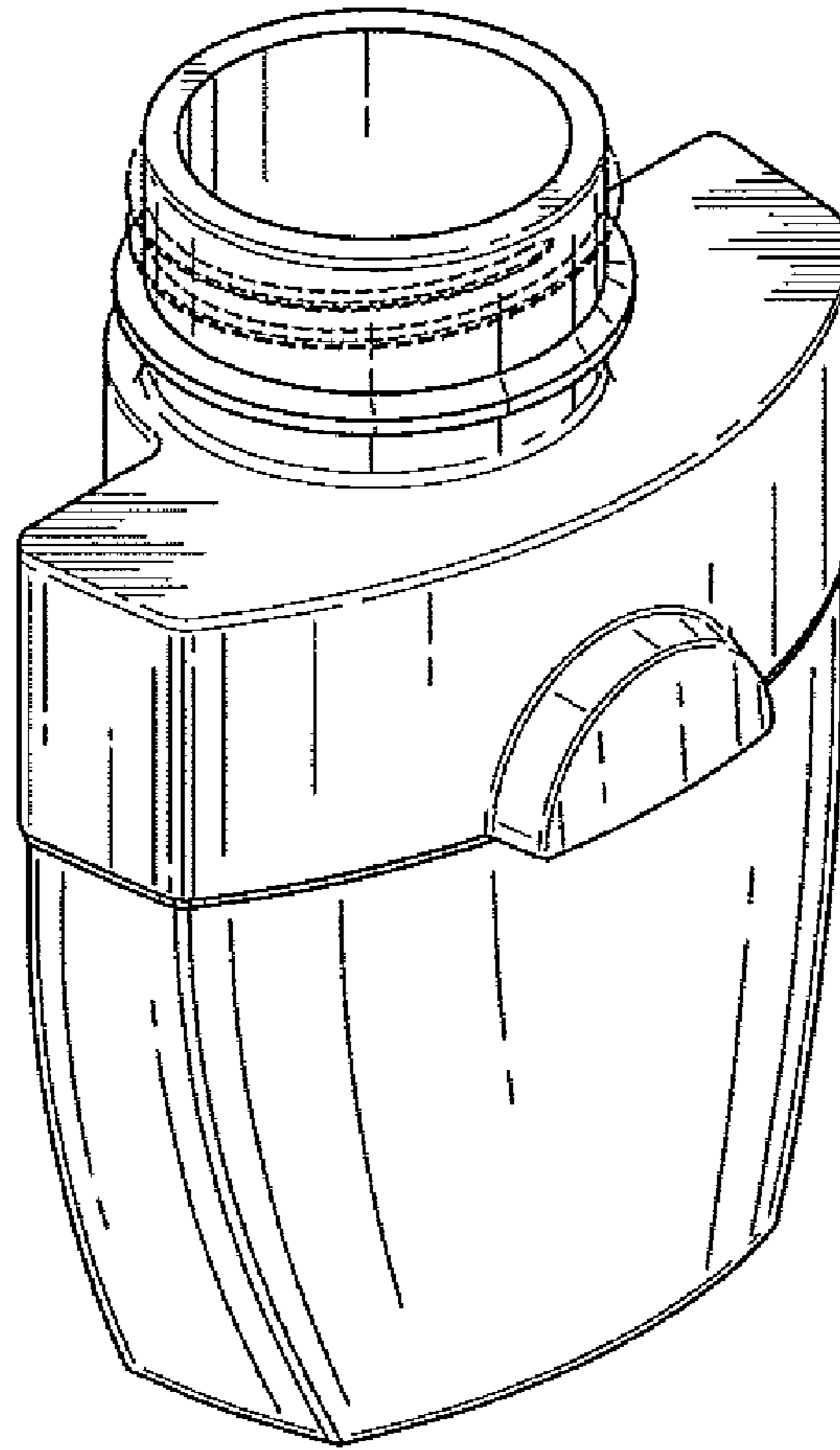


FIG. 1

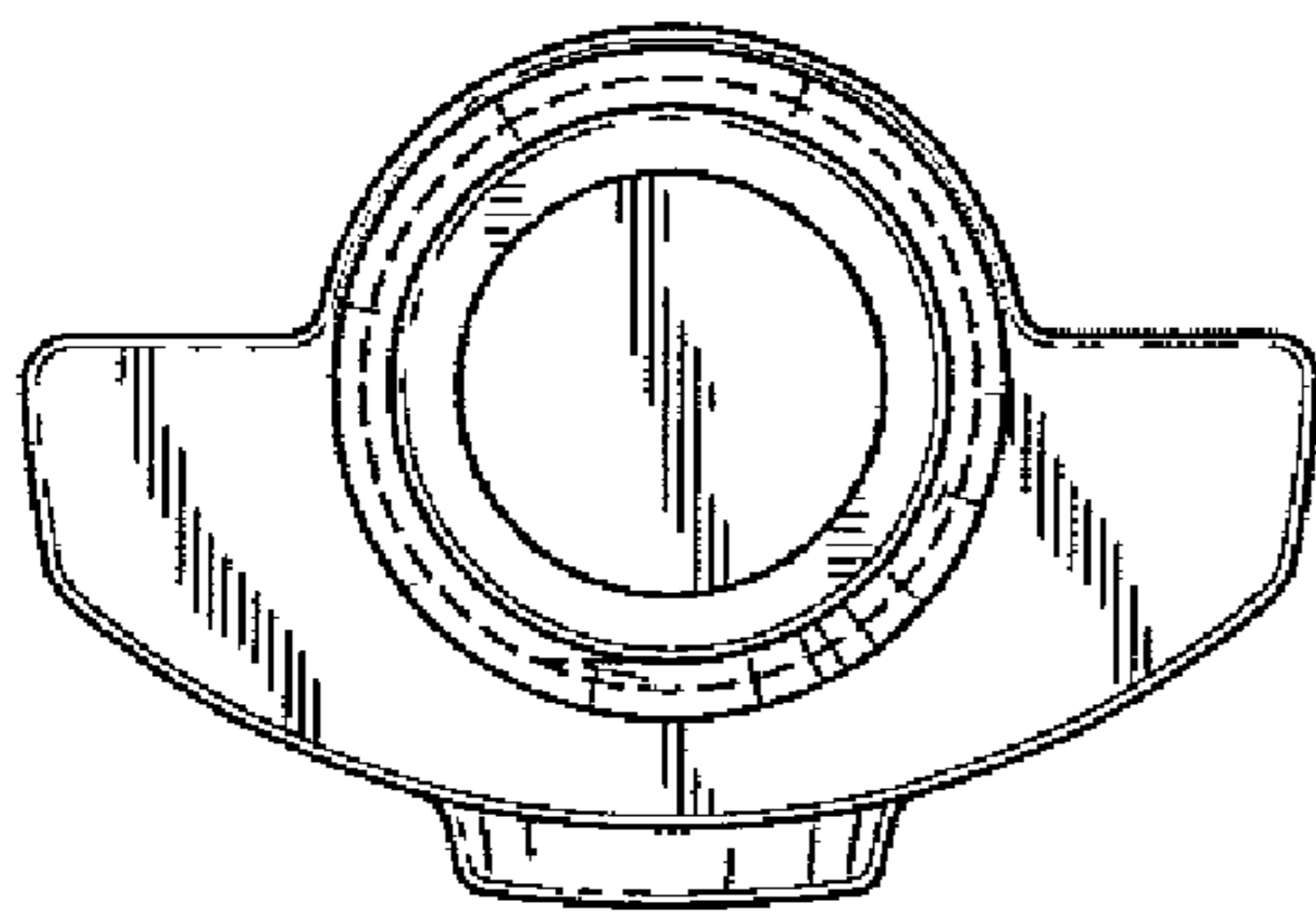


FIG. 2

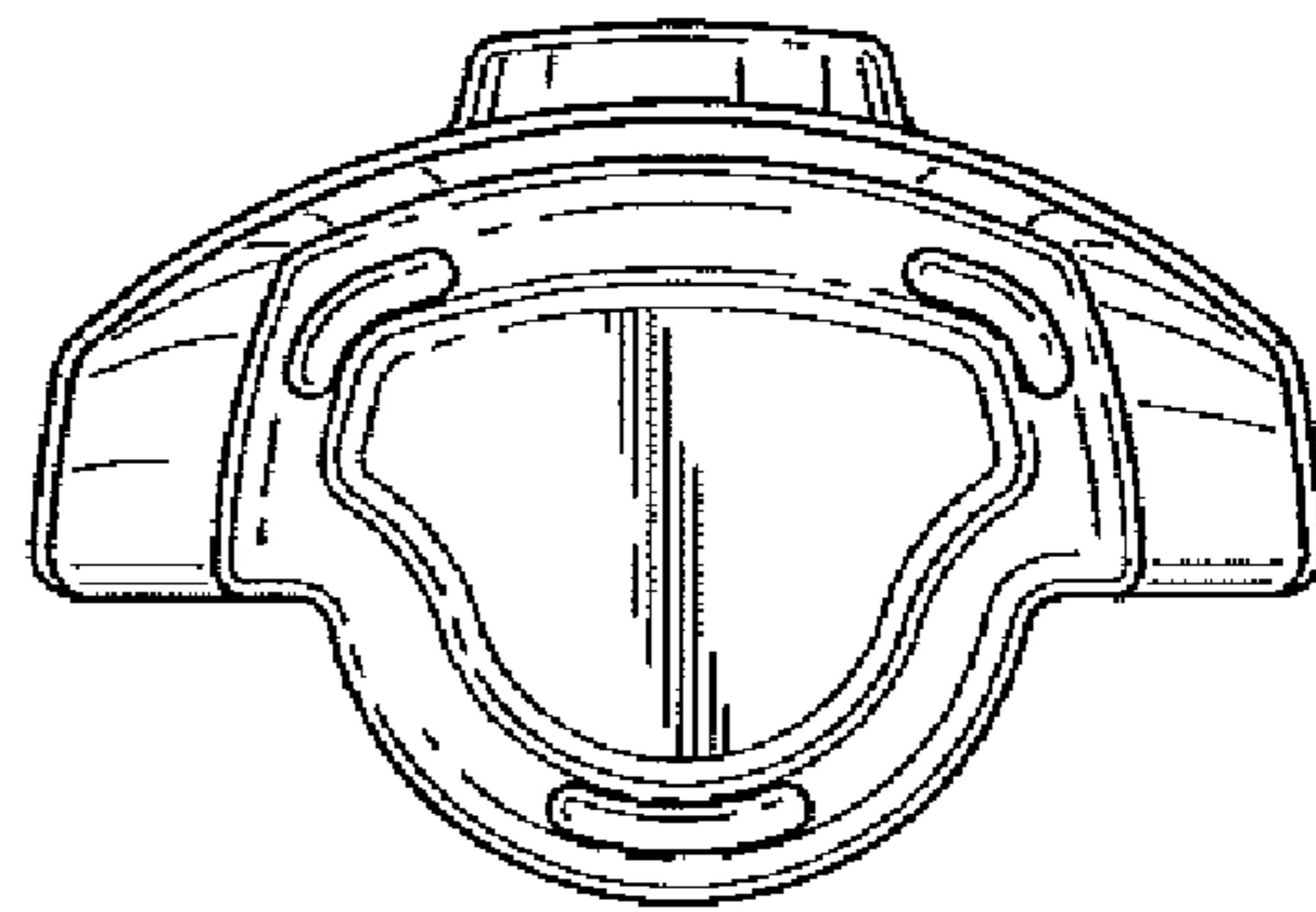


FIG. 3

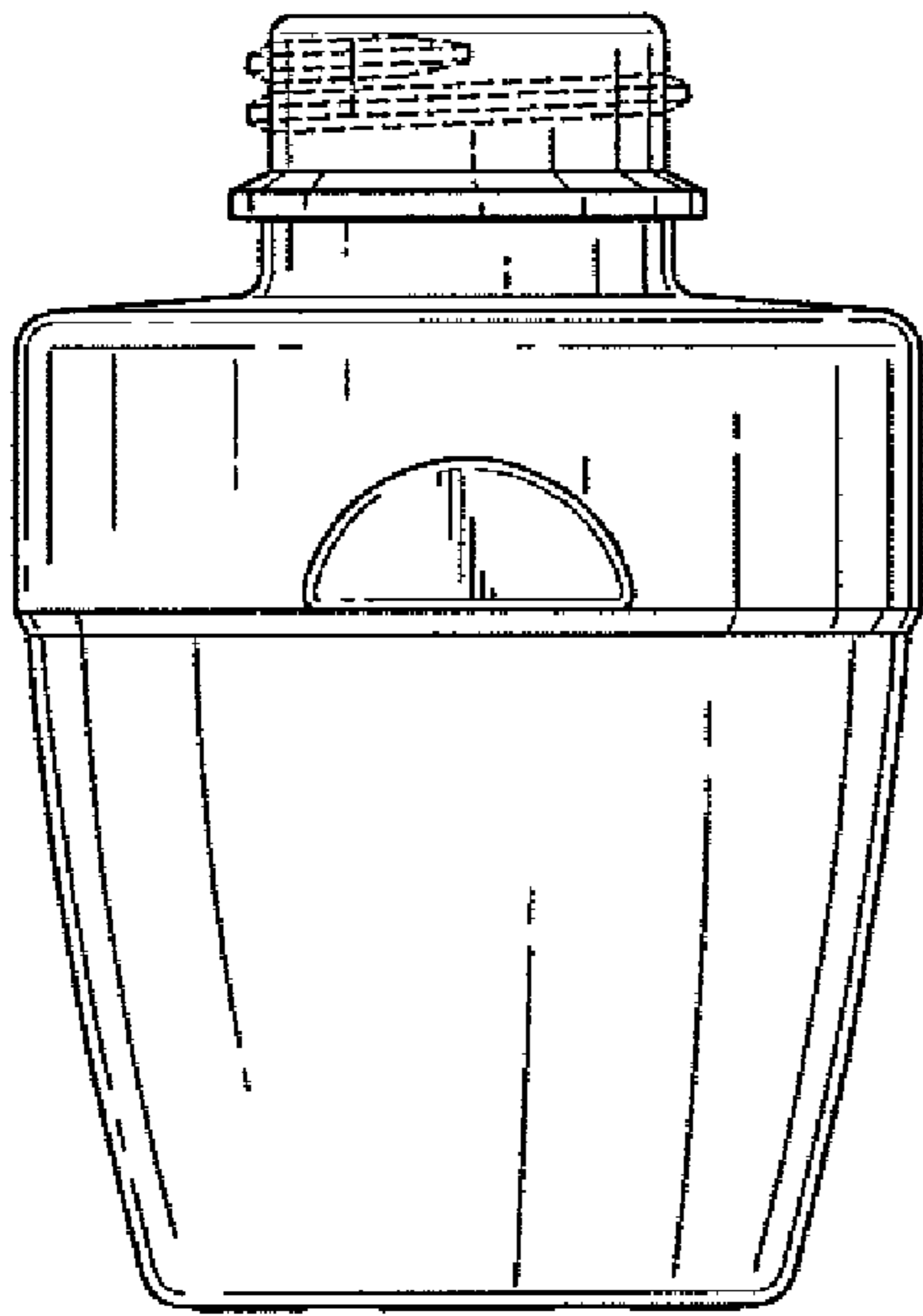


FIG. 4

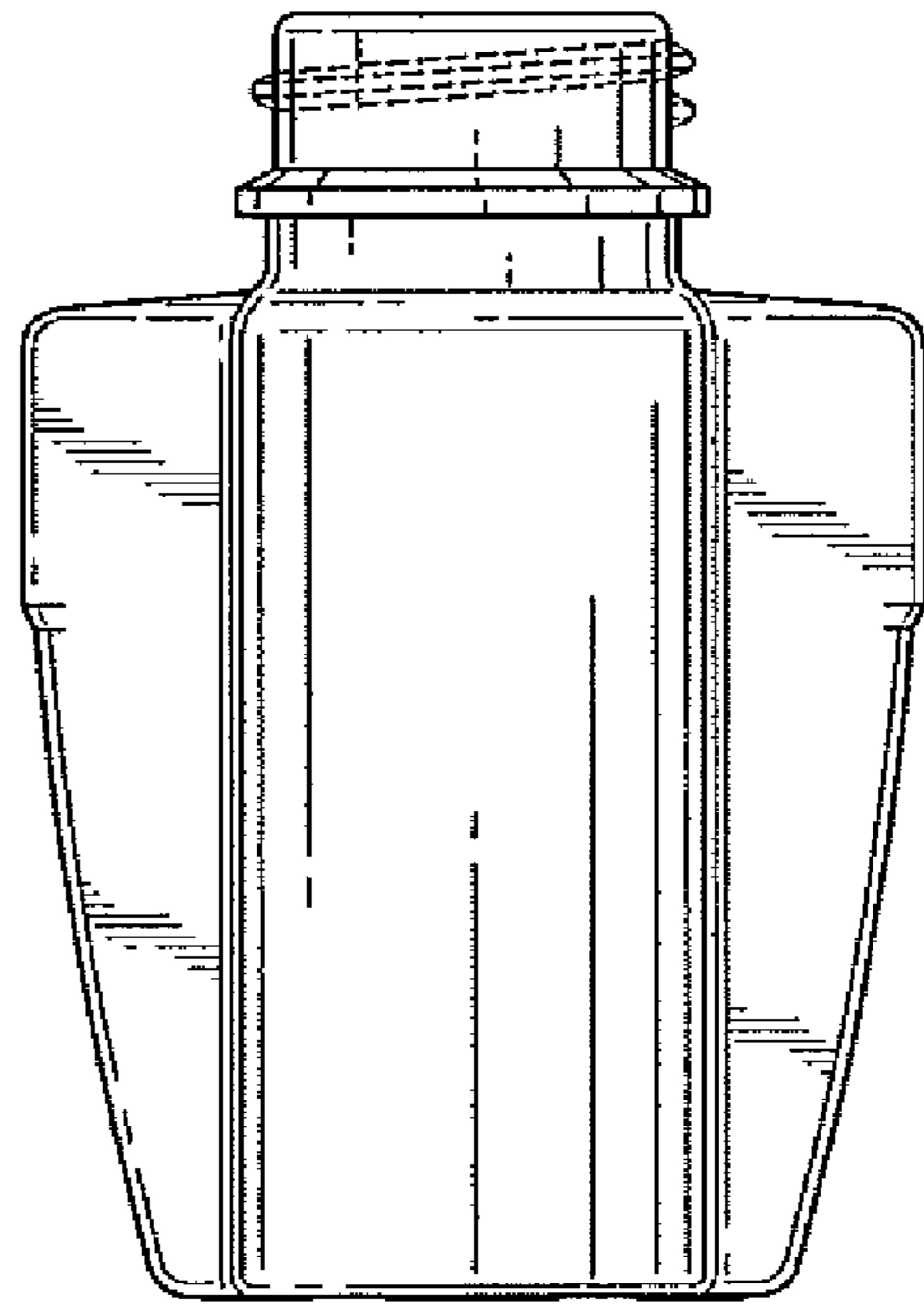


FIG. 5

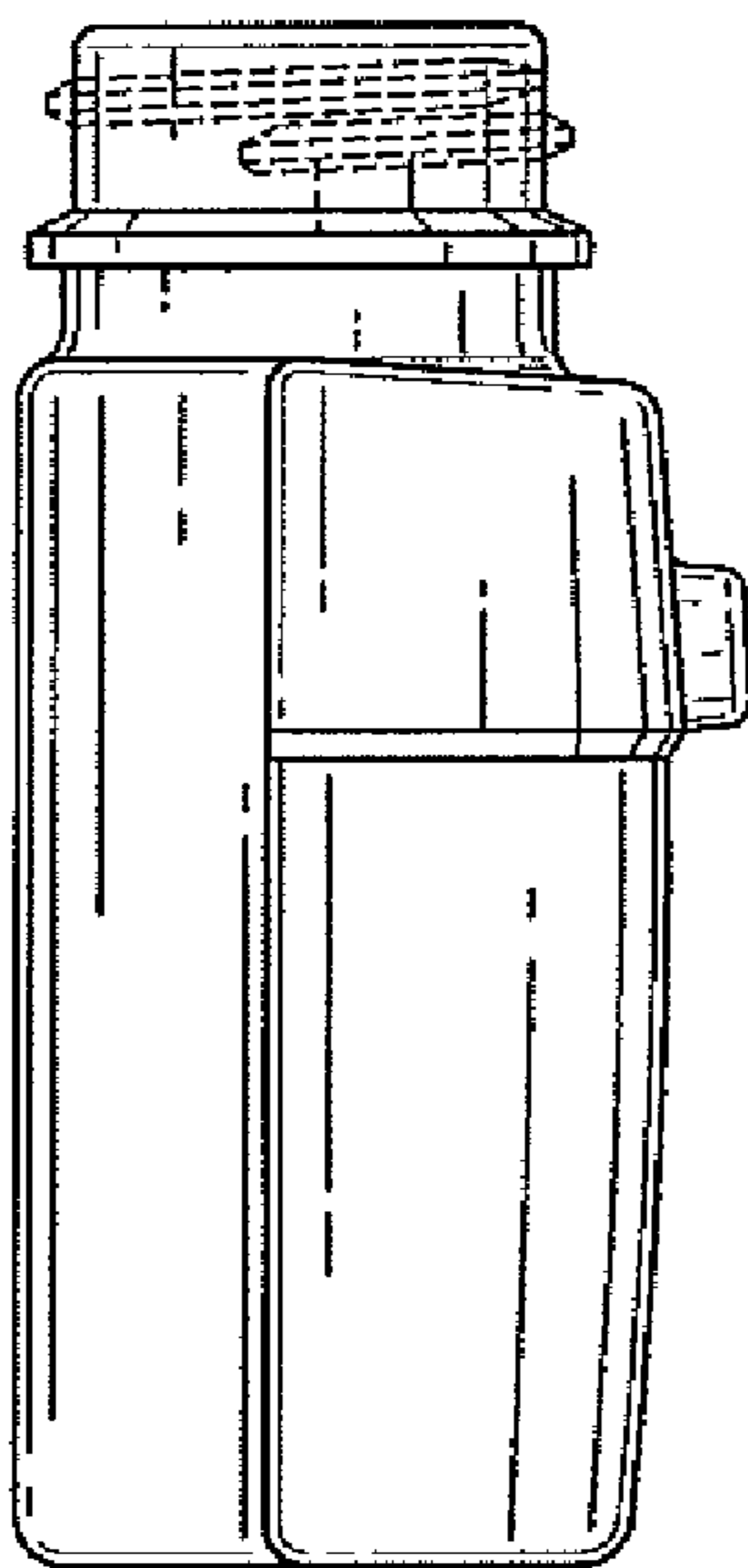


FIG. 6

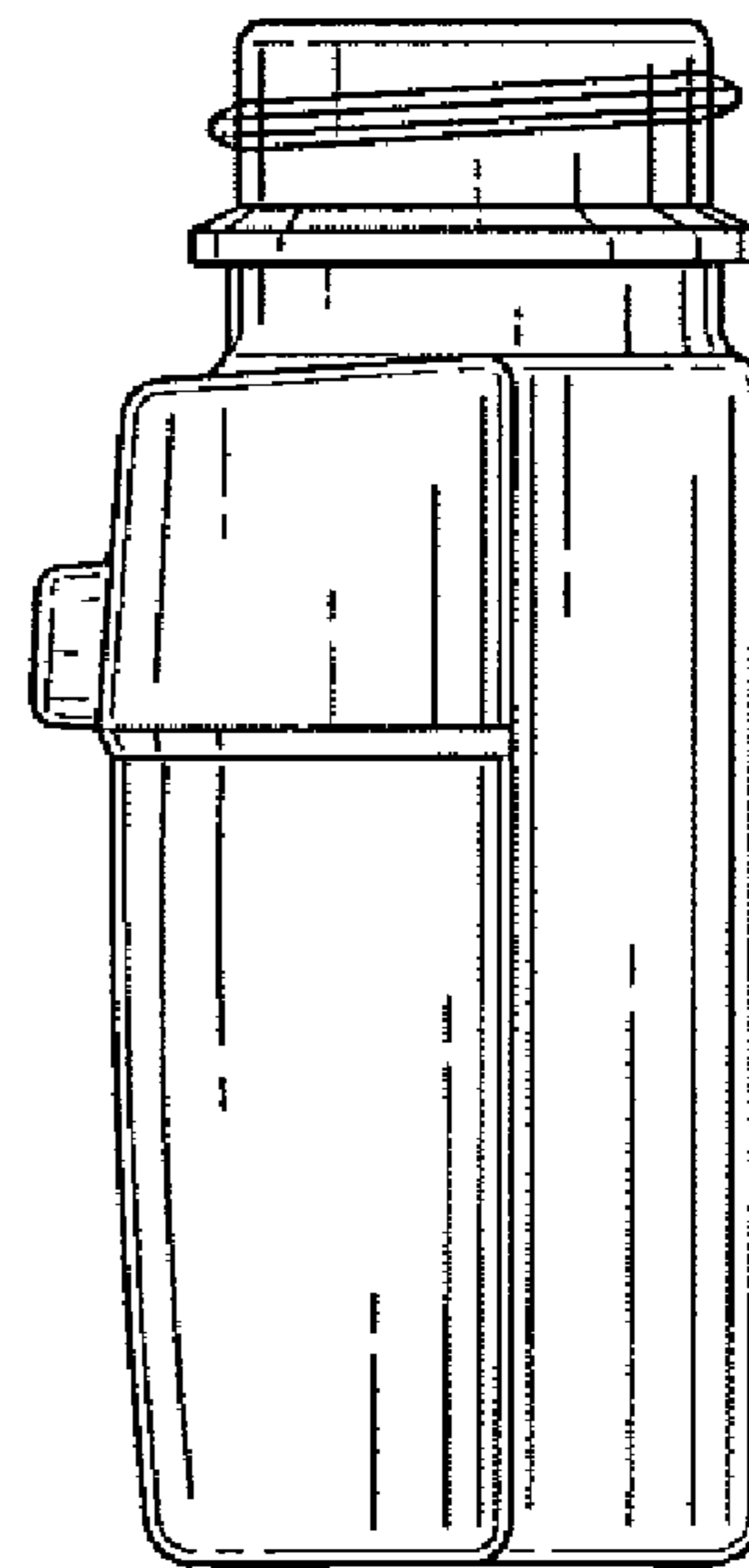


FIG. 7