



US00D618547S

(12) **United States Design Patent**
Manning et al.

(10) **Patent No.:** **US D618,547 S**
(45) **Date of Patent:** **** Jun. 29, 2010**

(54) **CONTAINER**

(75) Inventors: **Robert Jonathan Manning**,
Curitiba-Parana (BR); **Camila Morales Duarte**,
Curitiba-Parana (BR); **Claudine de Sa Botelho Pinto**,
Curitiba-Parana (BR)

(73) Assignee: **Kraft Foods Global Brands LLC**,
Northfield, IL (US)

(**) Term: **14 Years**

(21) Appl. No.: **29/338,061**

(22) Filed: **Jun. 3, 2009**

(51) **LOC (9) Cl.** **09-03**

(52) **U.S. Cl.** **D9/425; D9/428**

(58) **Field of Classification Search** D9/423-429;
D7/538, 540, 542, 550.1, 565, 584, 602, 629;
220/4.23-4.24, 23.86, 315, 367.1, 571, 600,
220/608, 752, 780-781, 788, 791-793, 835,
220/839; 206/223, 501-509, 512; 426/104,
426/106

See application file for complete search history.

(56) **References Cited**

U.S. PATENT DOCUMENTS

2,915,214	A *	12/1959	Frankel	220/266
3,511,433	A *	5/1970	Andrews et al.	220/4.23
D260,968	S *	9/1981	Pavia et al.	D9/428
D272,128	S *	1/1984	Parmentier	D9/425
4,794,008	A *	12/1988	Schmidt et al.	426/234
4,848,543	A	7/1989	Doboze		
D309,105	S *	7/1990	Fisher et al.	D9/425
D320,743	S *	10/1991	Alexander et al.	D9/425
D321,324	S *	11/1991	Budzbanowski	D9/425
D322,402	S *	12/1991	Budzbanowski	D9/428
D335,085	S *	4/1993	Wacker	D9/504
5,935,686	A	8/1999	Daelmans et al.		
D436,532	S *	1/2001	Richardson	D9/428
D440,155	S *	4/2001	Schaefer	D9/451
6,287,612	B1	9/2001	Mandava et al.		
D455,652	S *	4/2002	Wyslotsky et al.	D9/429
D463,896	S	10/2002	Raine et al.		
D531,496	S *	11/2006	Mansuino	D9/428
D536,611	S *	2/2007	Peck	D9/428

D584,610	S *	1/2009	Eberhardt	D9/425
D589,342	S *	3/2009	Maslowski	D9/428
D600,496	S *	9/2009	Fernandes	D7/354
D601,379	S *	10/2009	De Leo	D7/354
D607,330	S *	1/2010	Diss	D9/500
2001/0005520	A1	6/2001	Costantini		
2006/0162292	A1	7/2006	Liempd Van		
2007/0102308	A1	5/2007	Tremblay et al.		

FOREIGN PATENT DOCUMENTS

JP	2006-151433	A	6/2006
WO	1993/000267	A1	1/1993
WO	2007/072123	A1	6/2007

* cited by examiner

Primary Examiner—Philip S Hyder

Assistant Examiner—Susan E Krakower

(74) *Attorney, Agent, or Firm*—Fitch, Even, Tabin & Flannery

(57) **CLAIM**

We claim the ornamental design for a container, as shown and described.

DESCRIPTION

FIG. 1 is a top, front, right side perspective view of a container of our new design;

FIG. 2 is a front elevation view thereof;

FIG. 3 is a rear elevation view thereof;

FIG. 4 is a left side elevation view thereof;

FIG. 5 is a right side elevation view thereof;

FIG. 6 is a top plan view thereof;

FIG. 7 is a bottom plan view thereof;

FIG. 8 is a top, front left perspective of a wrapped container of our new design; and,

FIG. 9 is a left side elevation view thereof.

The broken lines shown in the drawings illustrate environmental structure and form no part of the claimed design.

1 Claim, 6 Drawing Sheets

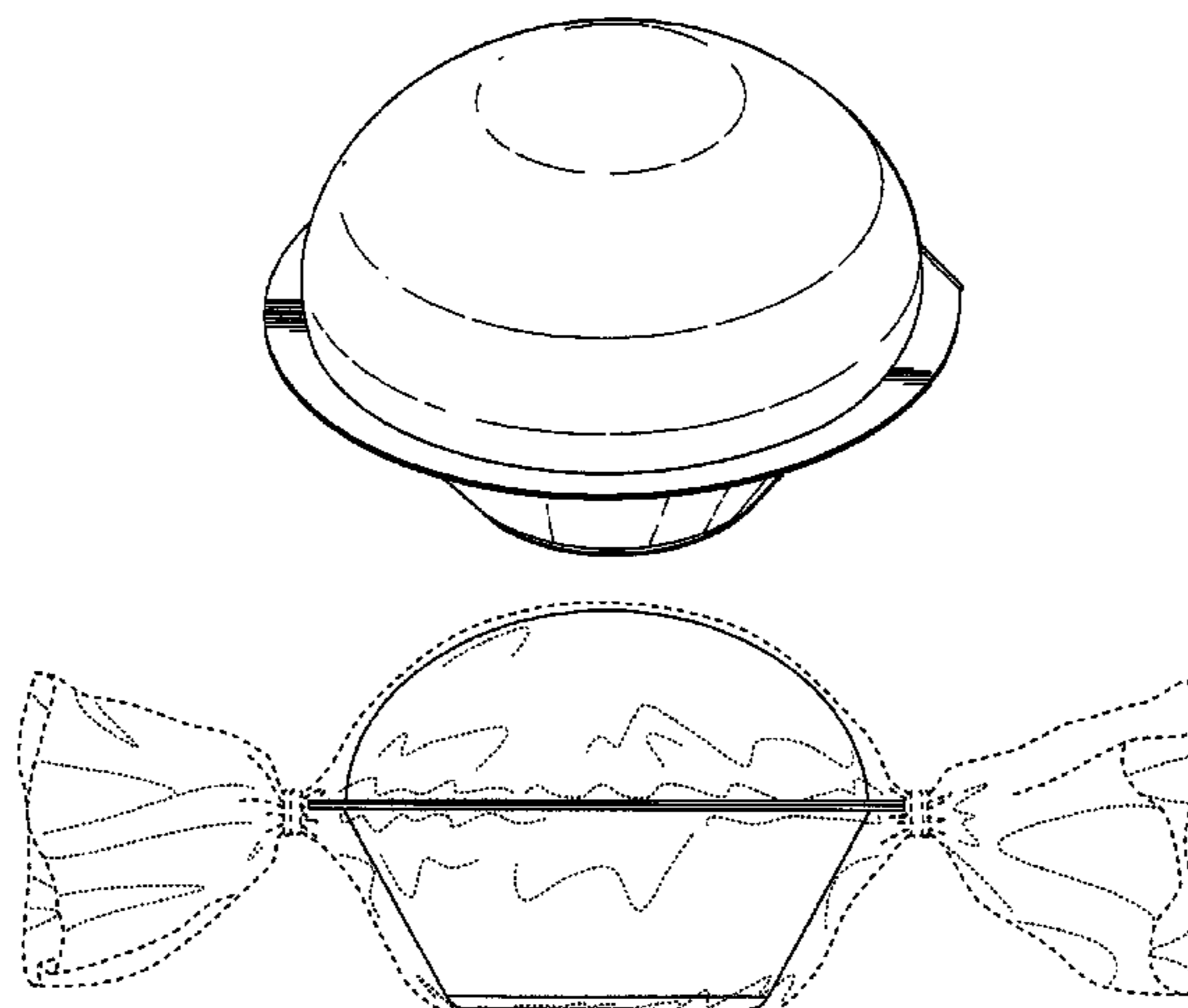


Fig. 1

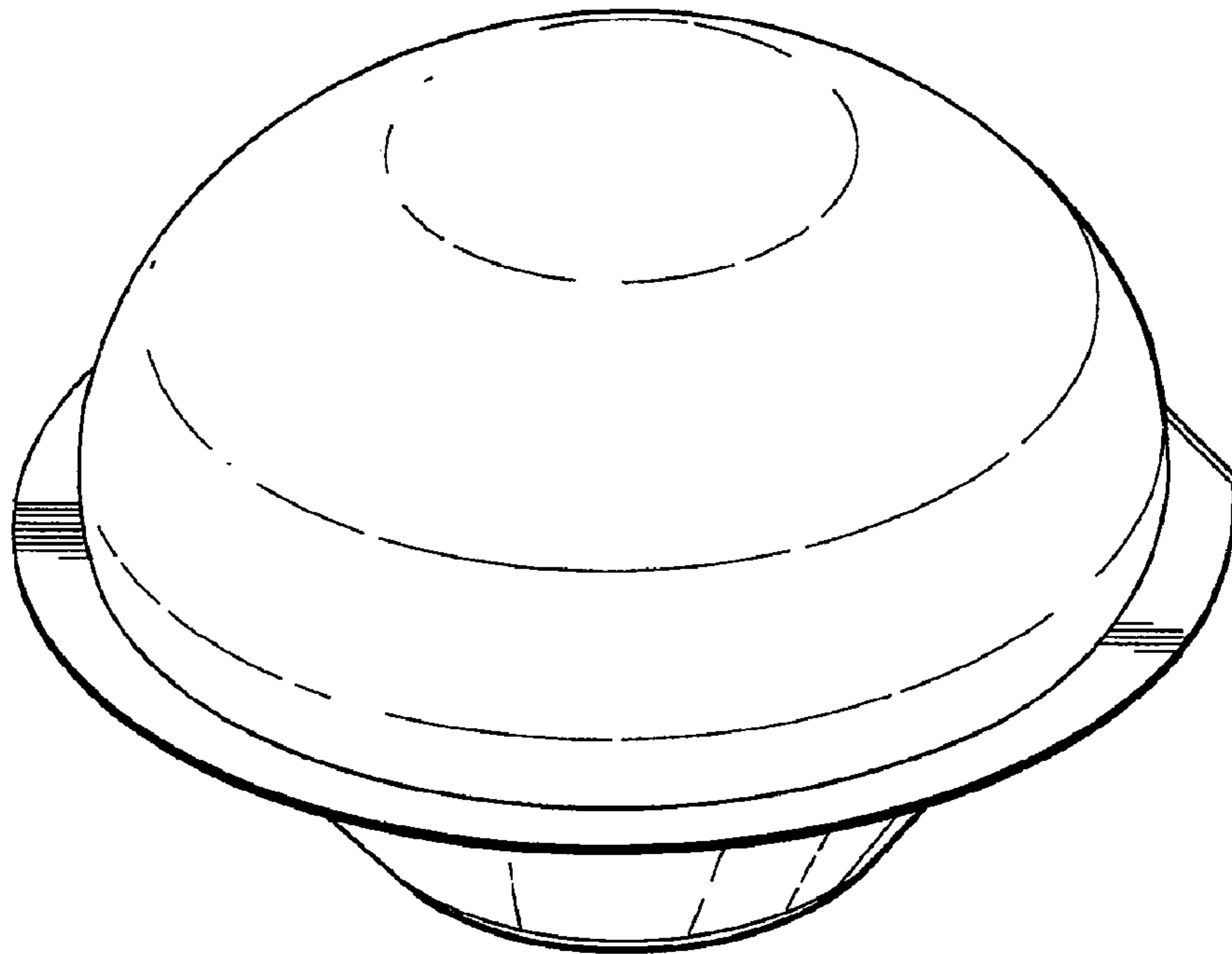


Fig. 2

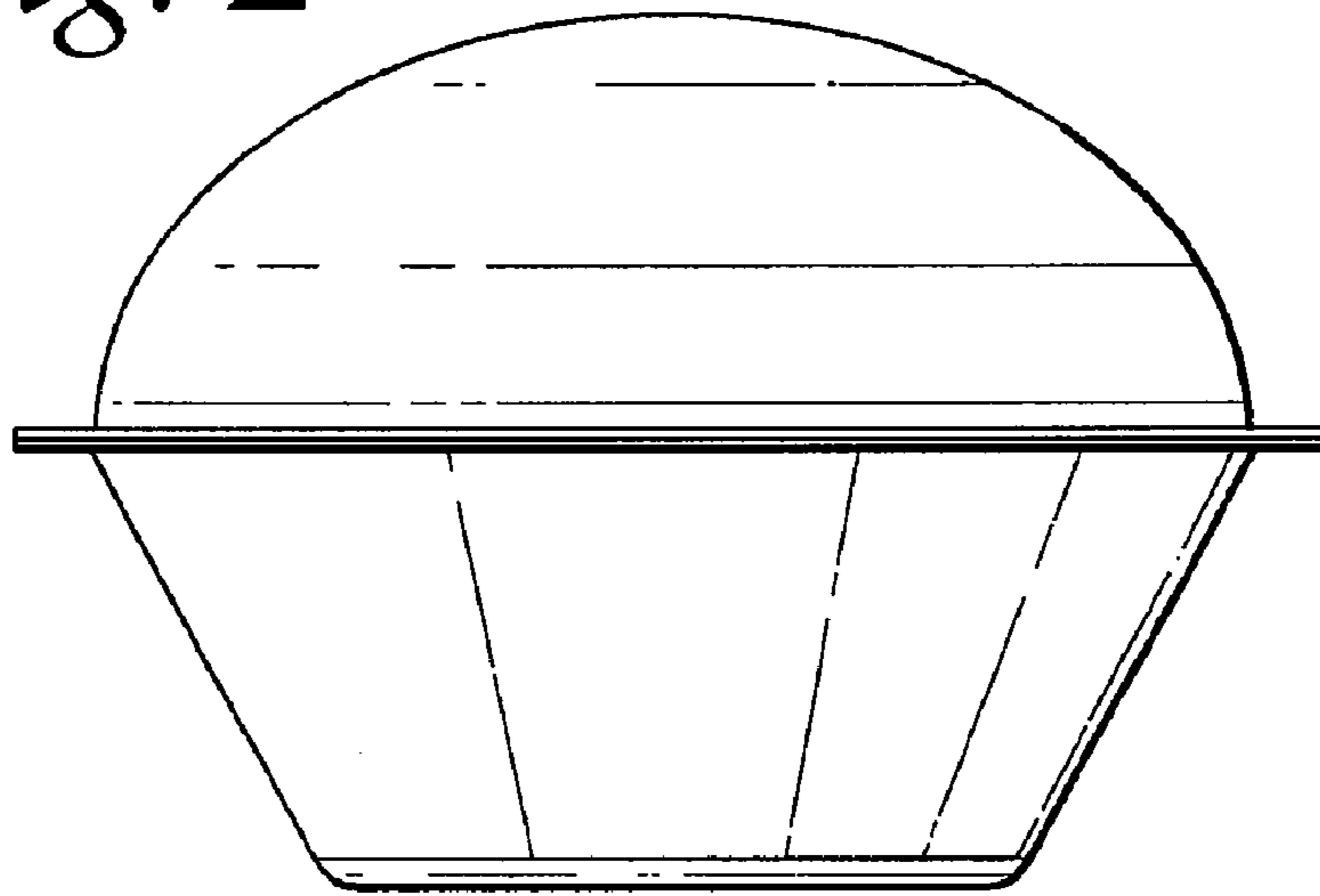


Fig. 3

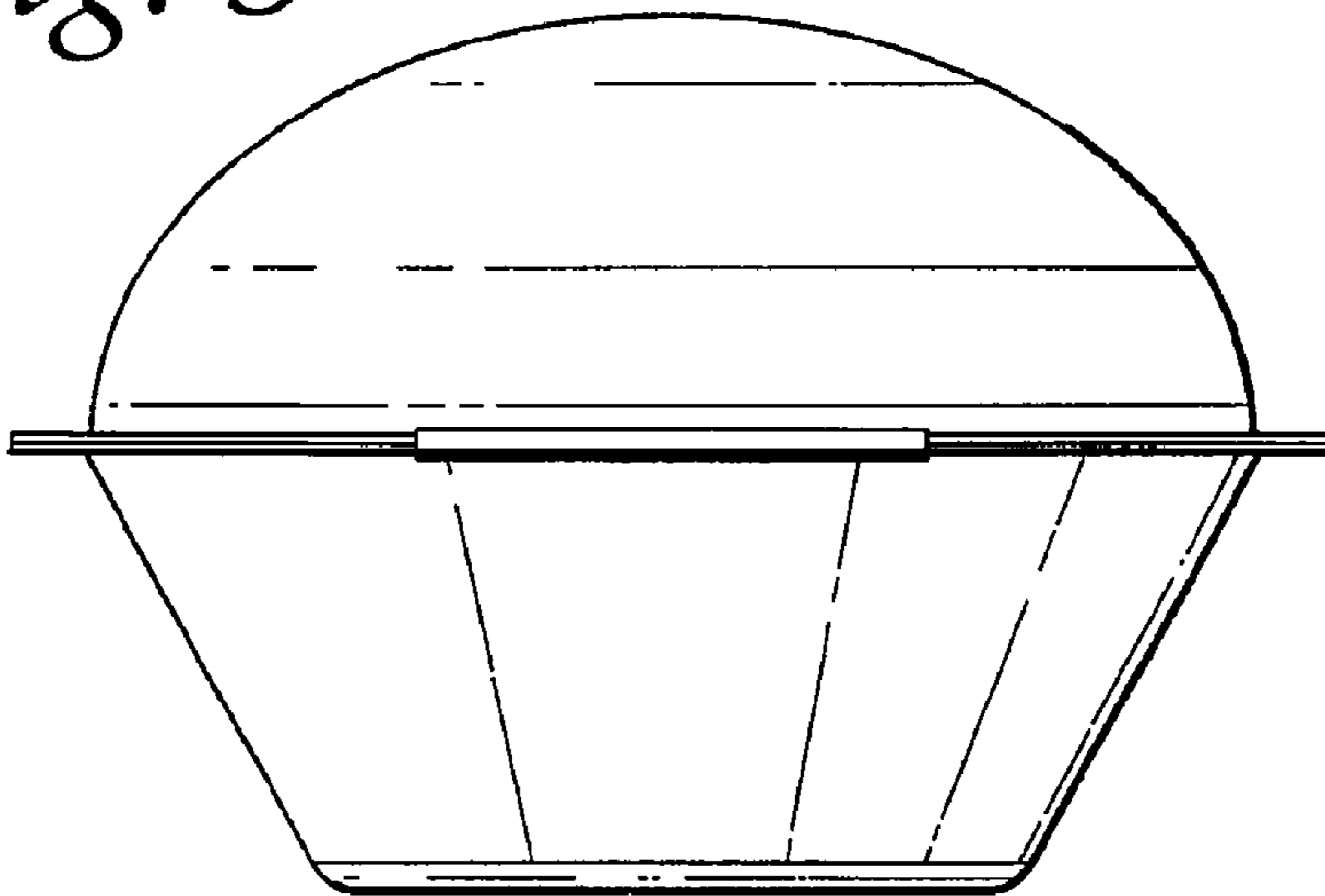


Fig. 4

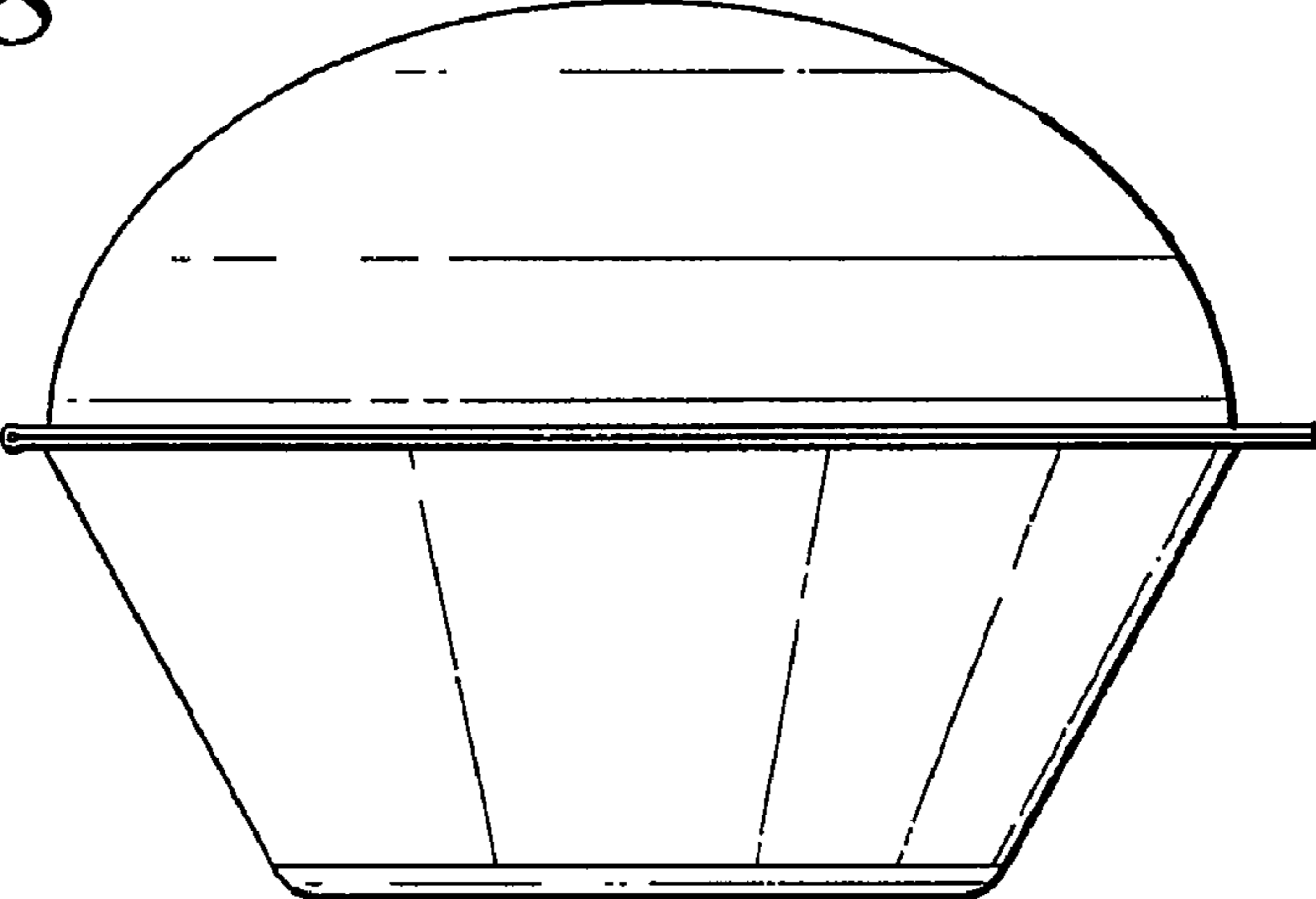


Fig. 5

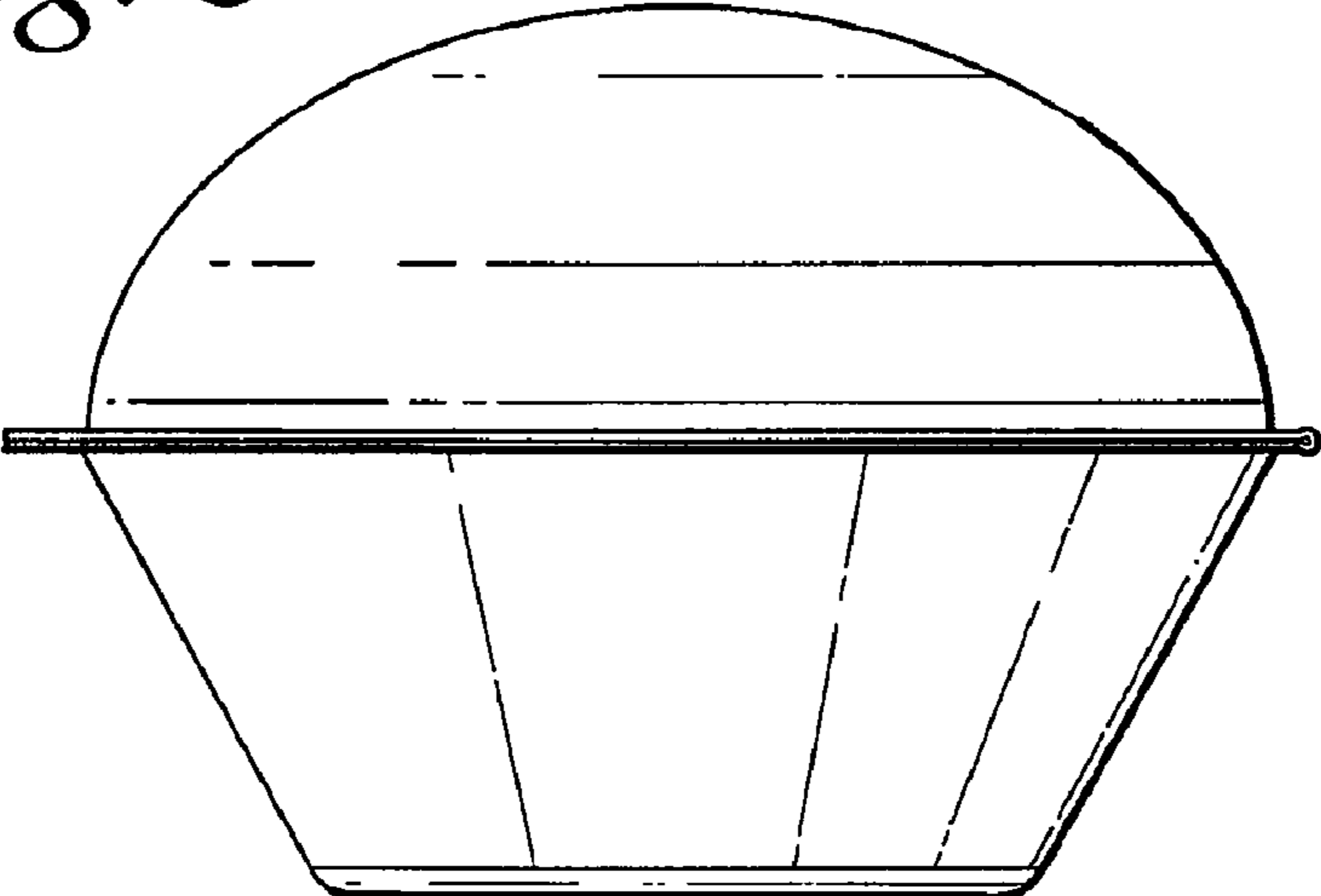


Fig. 6

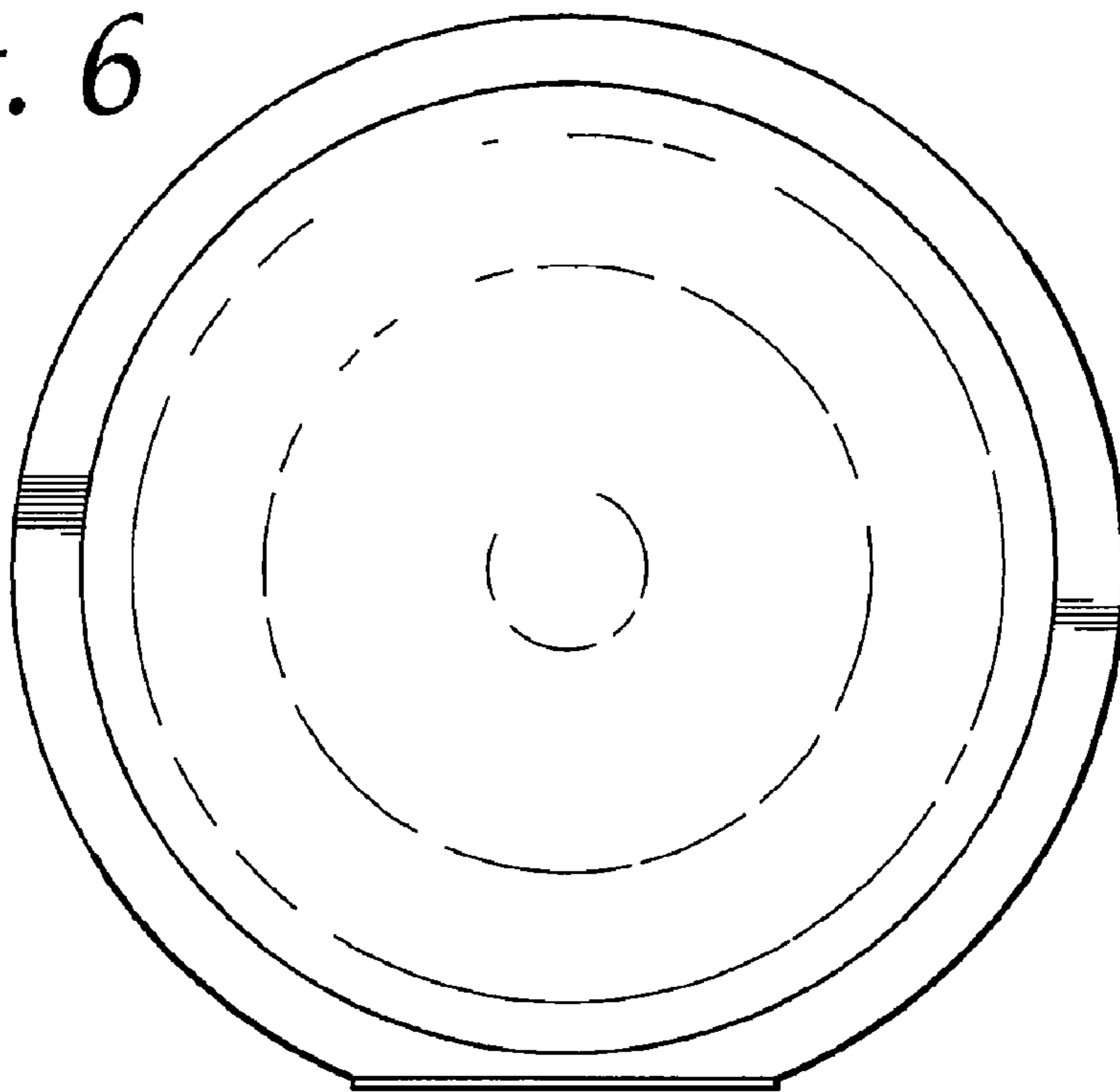
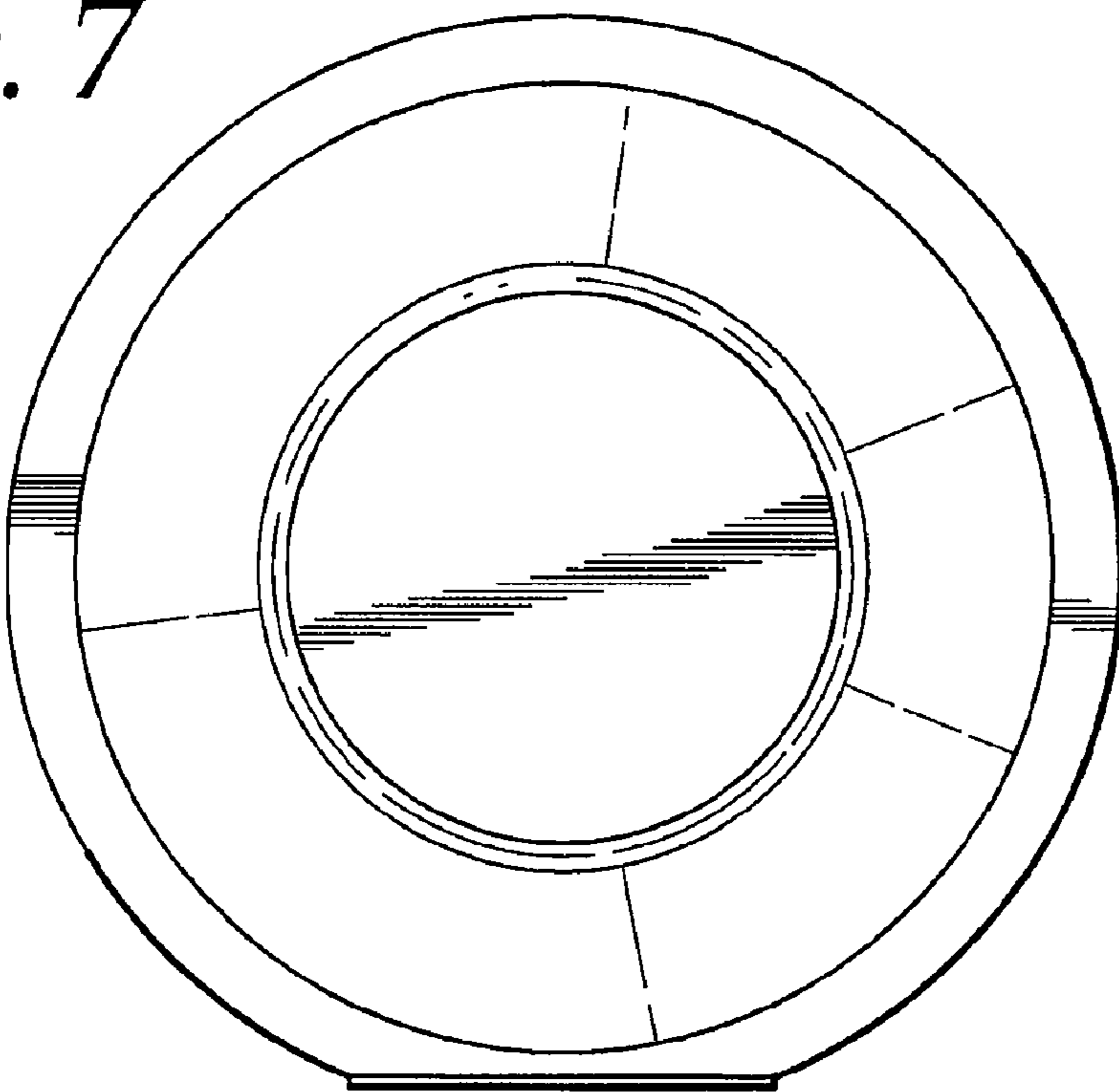


Fig. 7



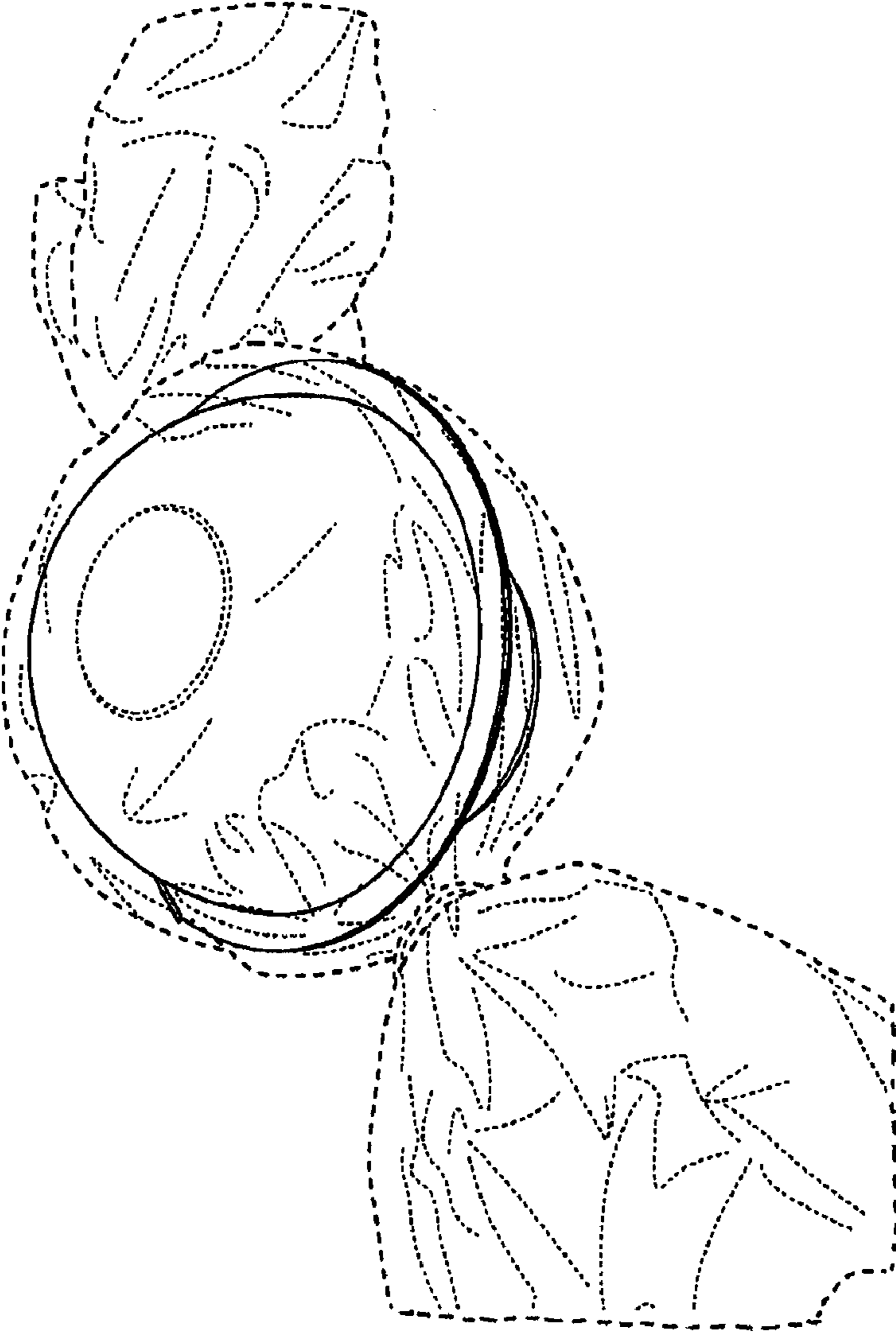


Fig. 8

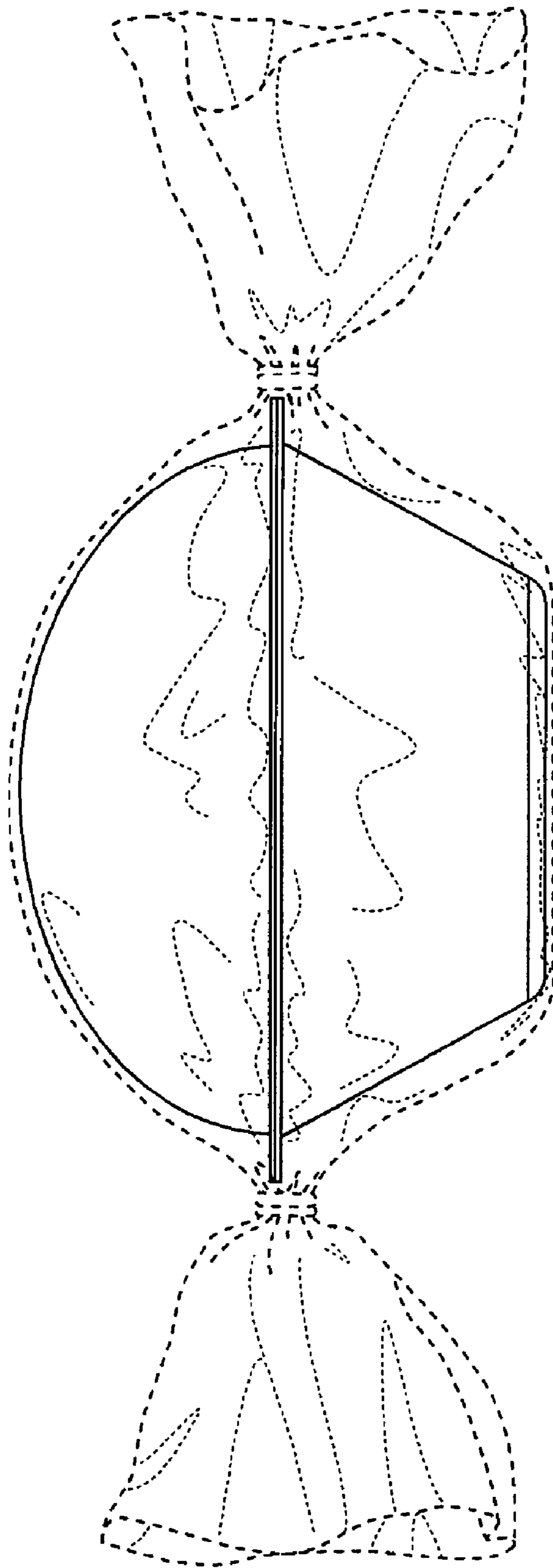


Fig. 9