



US00D618546S

(12) **United States Design Patent**
Easterbrook et al.

(10) **Patent No.:** **US D618,546 S**
(45) **Date of Patent:** **** Jun. 29, 2010**

(54) **CONTAINER**

(75) Inventors: **Timothy John Easterbrook**, Wiltshire (GB); **Hubert Kaffl**, Fischbachau (DE); **Elisabeth Meyer**, Miesbach (DE); **Susan Tattersall**, Wiltshire (GB)

(73) Assignee: **The Secretary of State for Defense in her Britannic Majesty's Government of the United Kingdom of Great Britain and Northern Ireland**, Wiltshire (GB)

(**) Term: **14 Years**

(21) Appl. No.: **29/350,411**

(22) Filed: **Nov. 16, 2009**

Related U.S. Application Data

(62) Division of application No. 29/324,586, filed on Sep. 16, 2008, now Pat. No. Des. 606,393.

(51) **LOC (9) Cl.** **09-03**

(52) **U.S. Cl.** **D9/423; D3/203.5**

(58) **Field of Classification Search** D3/201, D3/203.1-203.2, 203.5-203.8, 273, 294-295; D9/414, 420-421, 430, 432; D27/186, 189, D27/191; 206/37-38, 440-441, 828
See application file for complete search history.

(56) **References Cited**

U.S. PATENT DOCUMENTS

D142,676 S * 10/1945 Siegel D27/191
D180,490 S * 6/1957 Lunan D3/282
3,262,606 A * 7/1966 Waterman 222/480
D226,742 S * 4/1973 Dustin D3/282
D285,615 S * 9/1986 Burger D27/189
D292,437 S * 10/1987 Wind, III D27/189
4,941,226 A * 7/1990 Kemper 15/185

D448,295 S * 9/2001 Mozes D9/440
D462,613 S * 9/2002 Bried et al. D9/428
D464,567 S * 10/2002 Baerenwald et al. D9/432
D466,408 S * 12/2002 Baerenwald et al. D9/432
D535,185 S * 1/2007 Tanner D9/422
D535,186 S * 1/2007 Tanner D9/422
D539,481 S * 3/2007 Lui D28/83
D560,911 S * 2/2008 Hackbart et al. D3/273

* cited by examiner

Primary Examiner—Philip S Hyder

Assistant Examiner—Roselynn Cody

(74) *Attorney, Agent, or Firm*—The Maxham Firm

(57) **CLAIM**

The ornamental design for a container, as shown and described.

DESCRIPTION

FIG. 1 is a top and bottom view of an embodiment of the container according to the invention, showing the two hinged top and bottom elements in an open condition;

FIG. 2 is a plan view of the top element of the container embodiment of FIG. 1;

FIG. 3 is a perspective view of the embodiment of FIG. 1, with the top and bottom hinged elements open;

FIG. 4 is a back elevation view of the FIG. 1 embodiment;

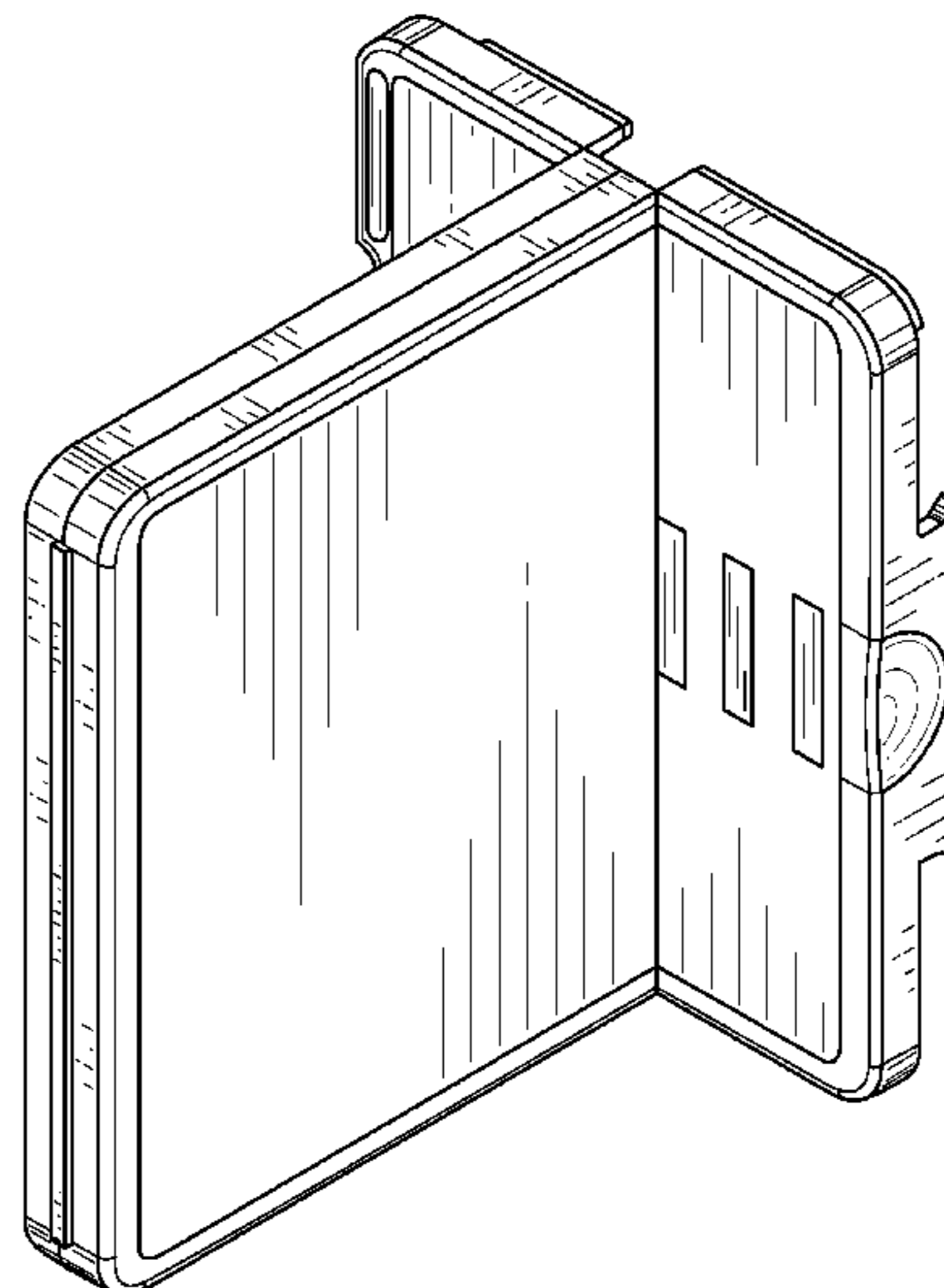
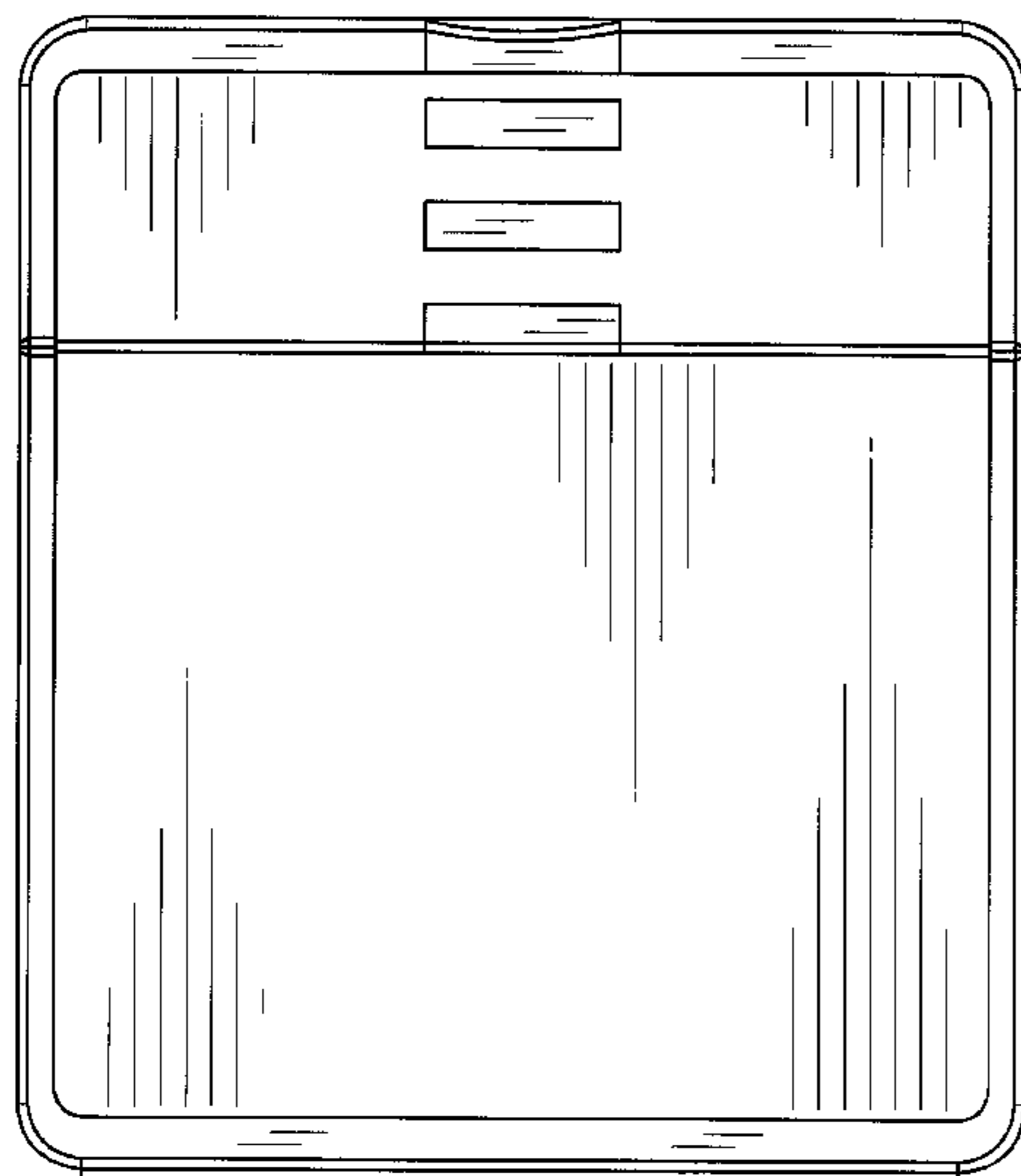
FIG. 5 is a side elevation view of the FIG. 1 embodiment, with the hinged elements open as in FIG. 3, the opposite side being a mirror image thereof;

FIG. 6 is a view of the same side as FIG. 5 of the FIG. 1 embodiment, with the hinged elements closed, the opposite side being a mirror image thereof;

FIG. 7 is a front elevation view of the FIG. 1 embodiment; and,

FIG. 8 is a bottom view thereof.

1 Claim, 8 Drawing Sheets



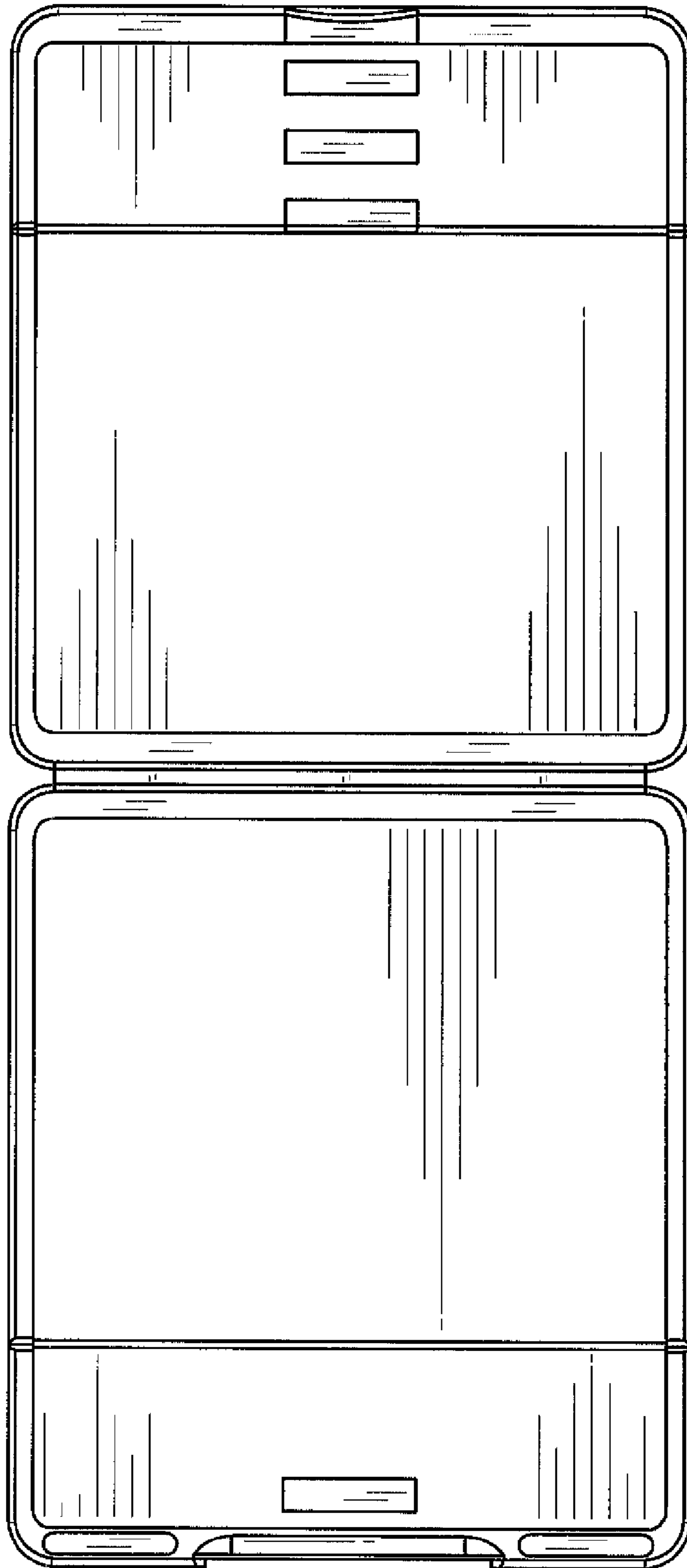


FIG. 1

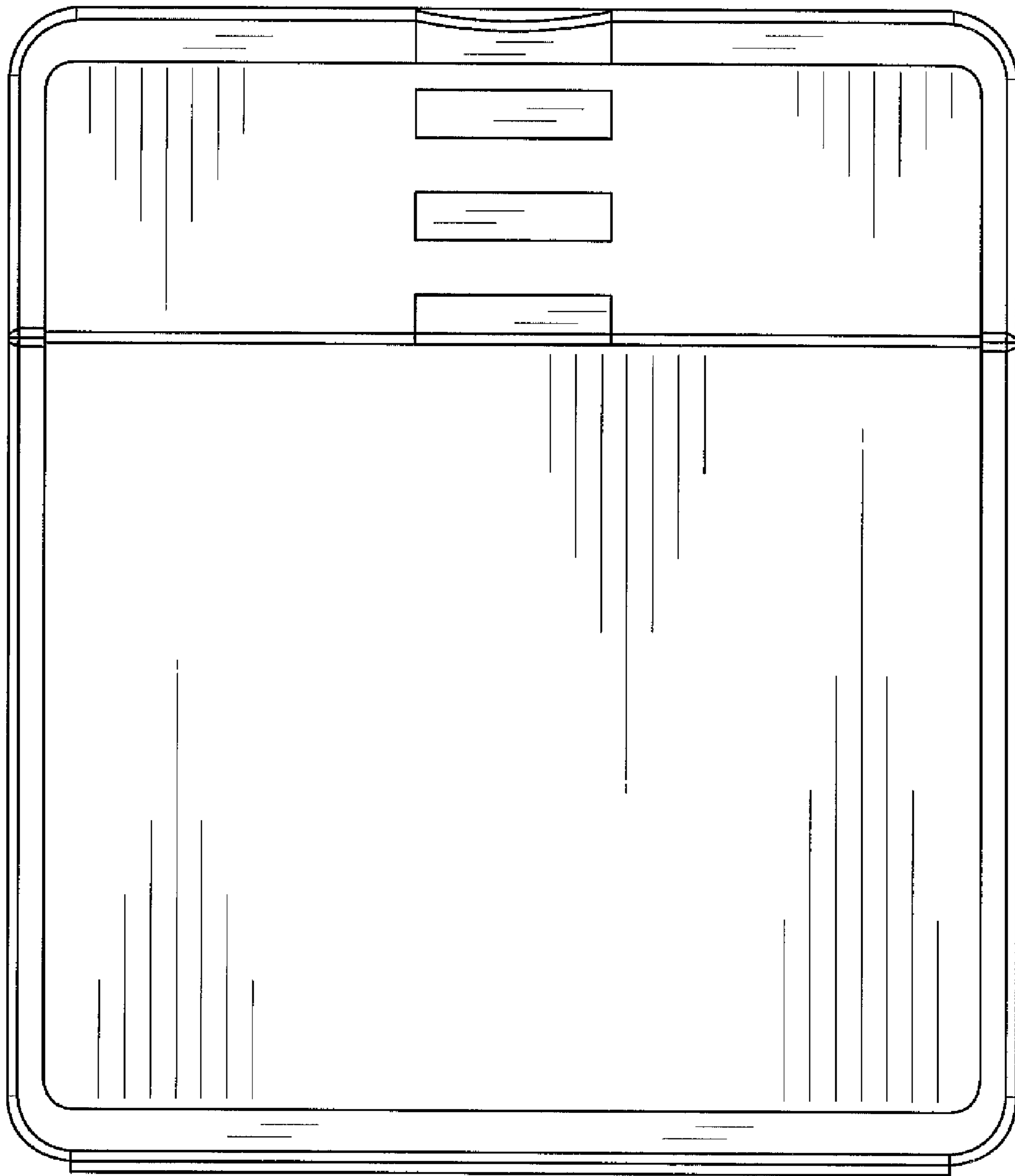


FIG. 2

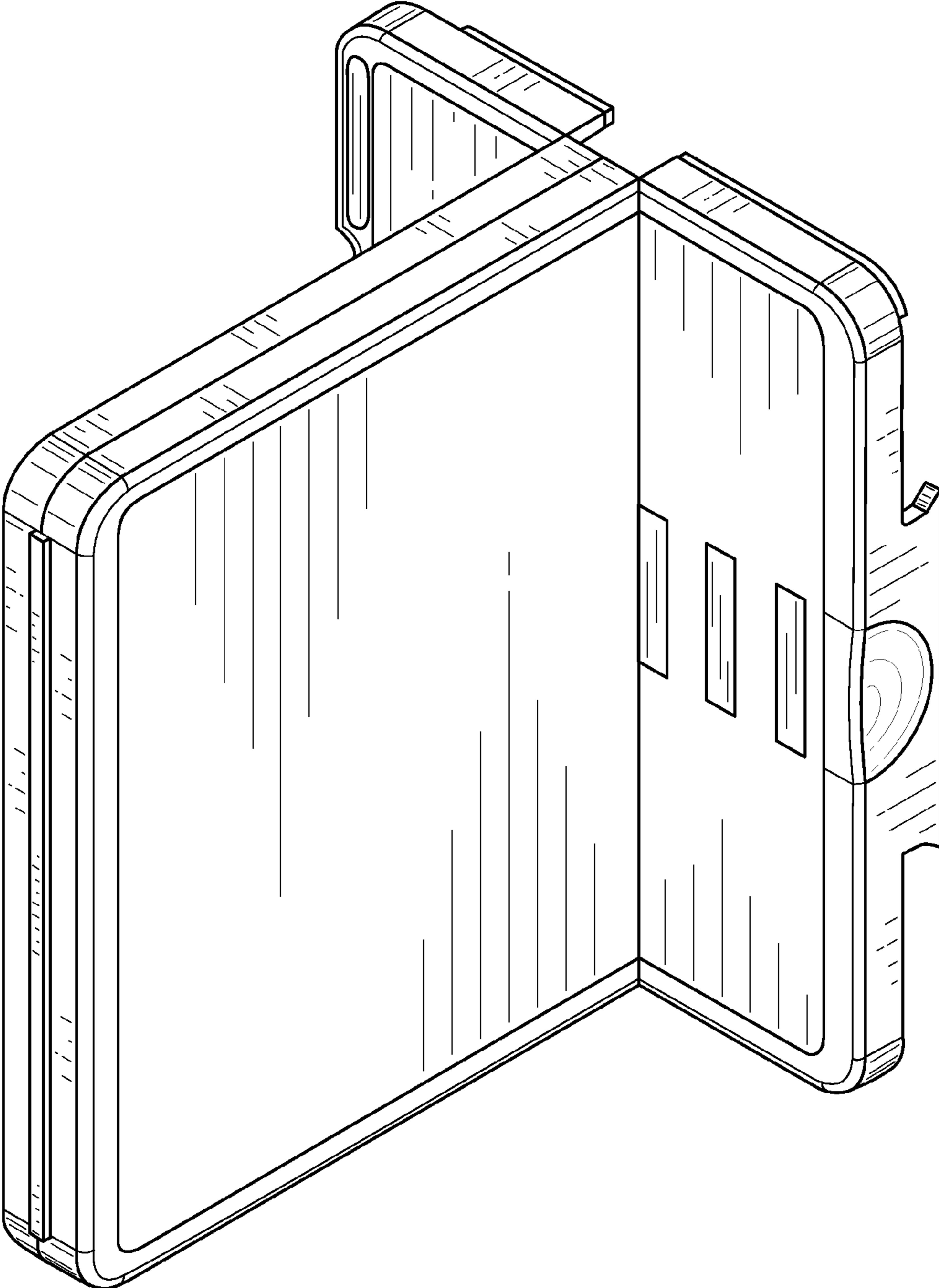


FIG. 3

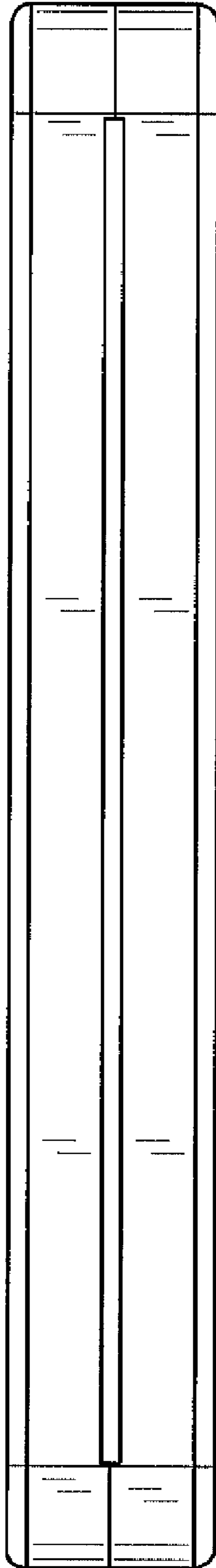


FIG. 4

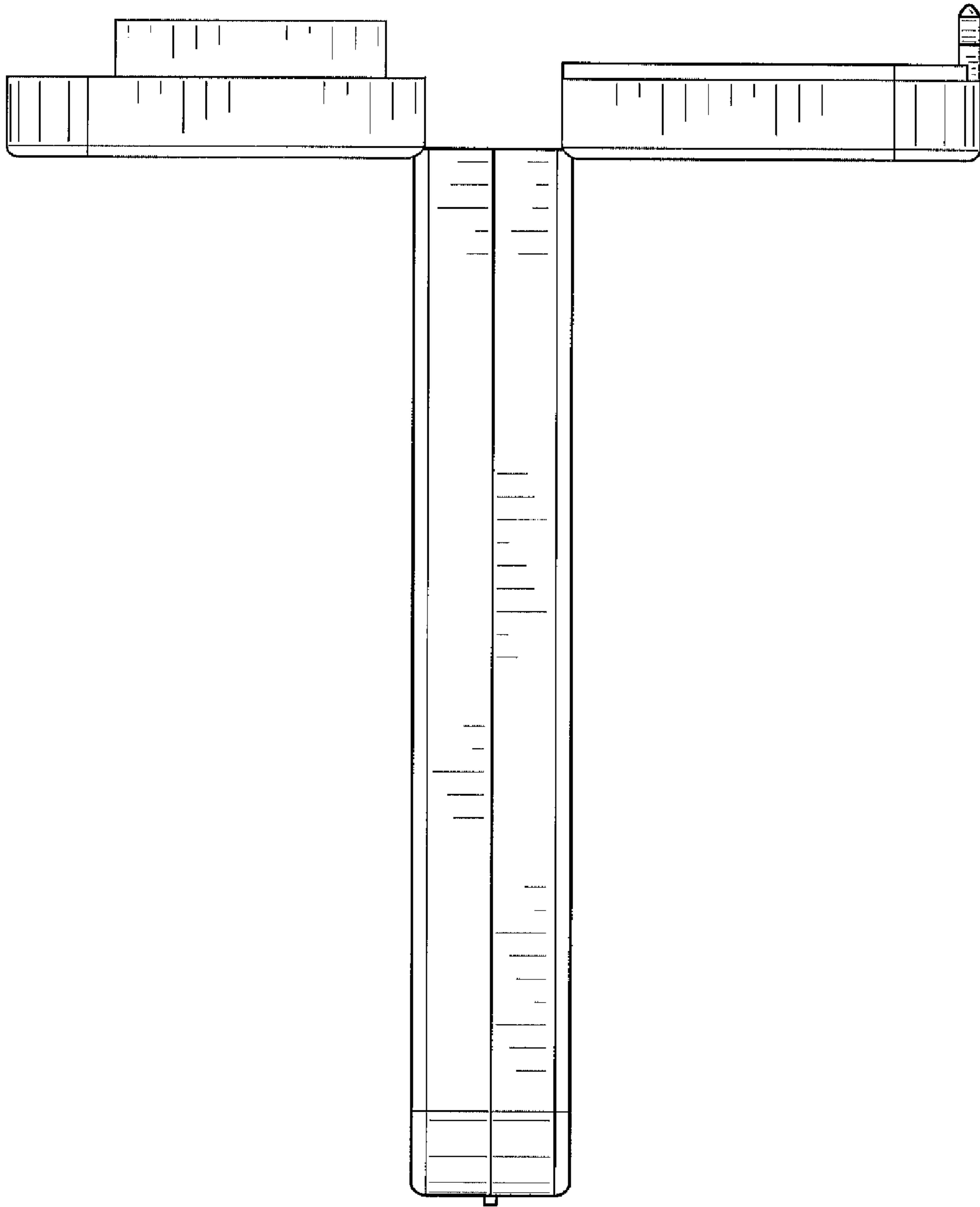


FIG. 5

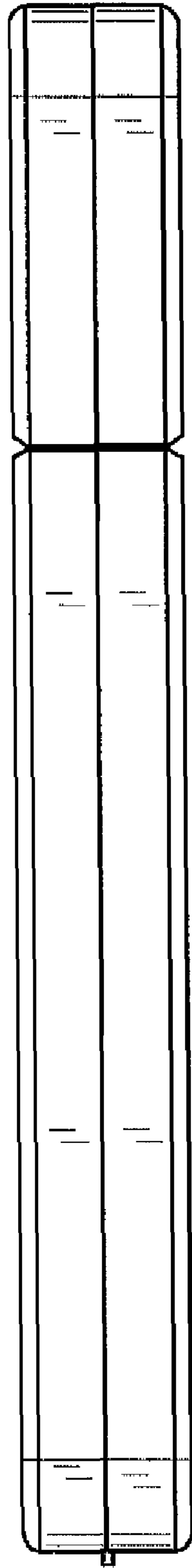


FIG. 6

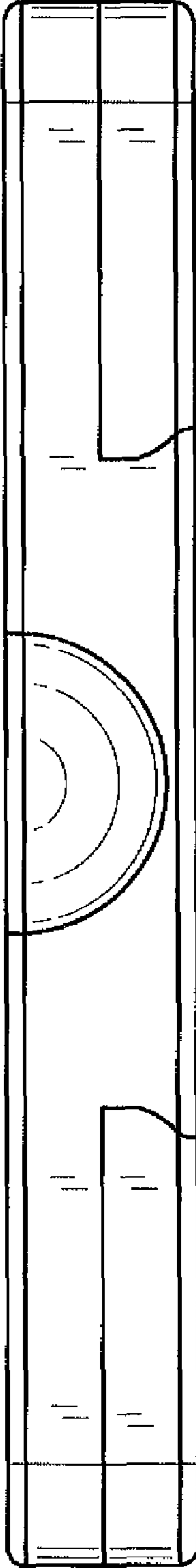


FIG. 7

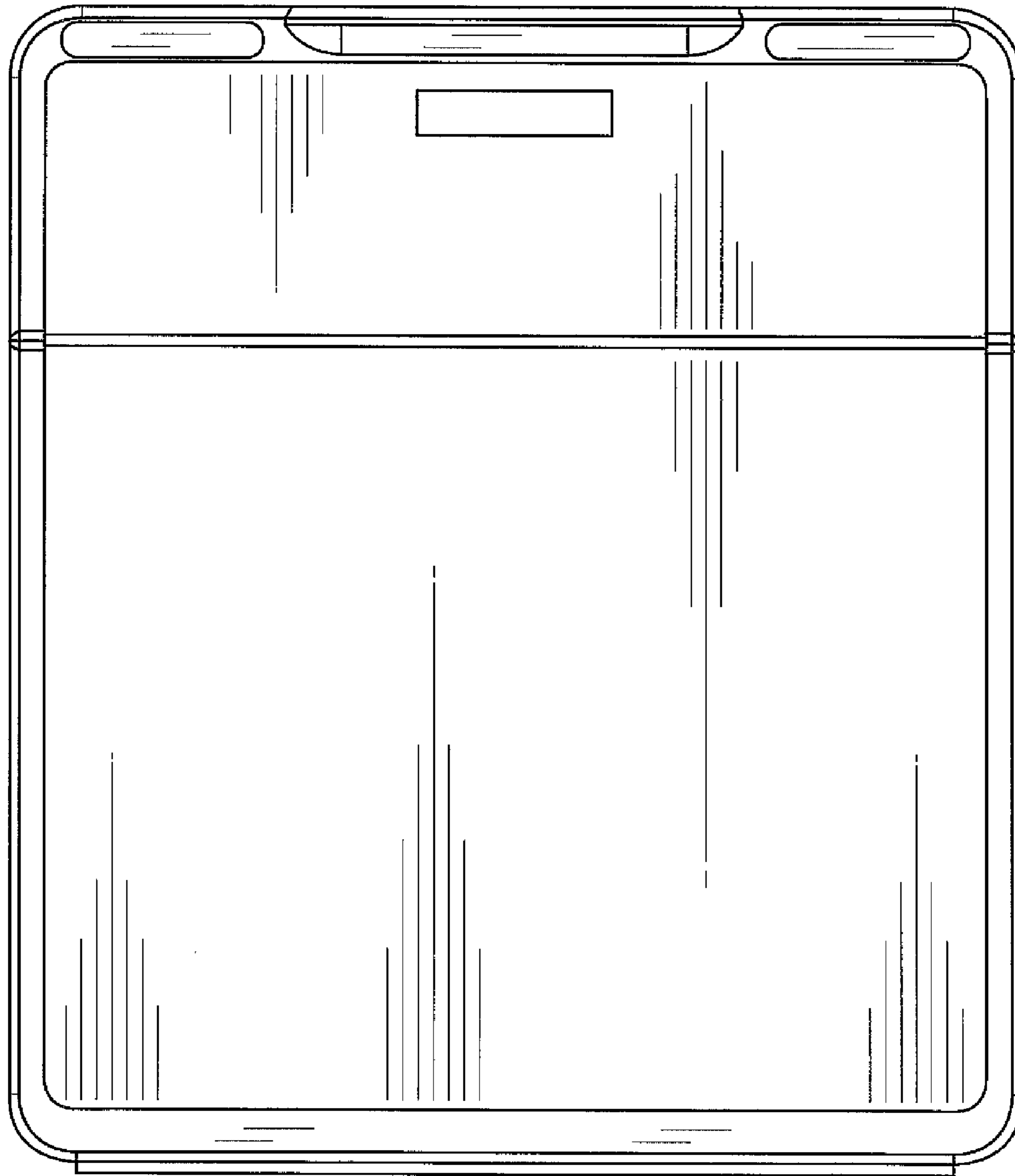


FIG. 8

UNITED STATES PATENT AND TRADEMARK OFFICE
CERTIFICATE OF CORRECTION

PATENT NO. : Des. 618,546 S
APPLICATION NO. : 29/350411
DATED : June 29, 2010
INVENTOR(S) : Timothy John Easterbrook et al.

Page 1 of 1

It is certified that error appears in the above-identified patent and that said Letters Patent is hereby corrected as shown below:

Title page item (73), should read as follows:

--The Secretary of State for Defence of Her Britannic Majesty's Government of The United Kingdom
of Great Britain and Northern Ireland--

Signed and Sealed this

Seventeenth Day of August, 2010



David J. Kappos
Director of the United States Patent and Trademark Office