



US00D618545S

(12) **United States Design Patent**  
**Toinet et al.**

(10) **Patent No.:** **US D618,545 S**  
(45) **Date of Patent:** **\*\* Jun. 29, 2010**

(54) **PACKAGE**

(75) Inventors: **Jean-Michel Toinet**, Lonay (CH); **Ralf Basler**, Lutry (CH)

(73) Assignee: **Philip Morris USA Inc.**, Richmond, VA (US)

(\*\*) Term: **14 Years**

(21) Appl. No.: **29/345,514**

(22) Filed: **Oct. 16, 2009**

(30) **Foreign Application Priority Data**

Jul. 7, 2006 (EM) ..... 000557590

(51) **LOC (9) Cl.** ..... **09-03**

(52) **U.S. Cl.** ..... **D9/423**

(58) **Field of Classification Search** ..... D9/420,  
D9/423, 432, 433, 607; 206/242, 245, 265,  
206/266, 268, 271, 273; 229/101, 125.21,  
229/125.37, 145, 212, 225, 160.1; D27/186,  
D27/189

See application file for complete search history.

(56) **References Cited**

**U.S. PATENT DOCUMENTS**

333,532 A 1/1886 Marshall  
(Continued)

**FOREIGN PATENT DOCUMENTS**

DE 42 35 441 A1 4/1993  
(Continued)

*Primary Examiner*—Daniel D Bui

*Assistant Examiner*—Thomas J Johannes

(74) *Attorney, Agent, or Firm*—Buchanan Ingersoll & Rooney PC

(57) **CLAIM**

The ornamental design for a package, as shown and described.

**DESCRIPTION**

FIG. 1 is a front elevational view of a package showing a first embodiment of our new design in a closed configuration.

FIG. 2 is a side elevation view; the other side being a mirror image thereof.

FIG. 3 is a rear elevational view thereof.

FIG. 4 is a top plan view; the bottom being a mirror image thereof.

FIG. 5 is top, front perspective view thereof in a transitional configuration.

FIG. 6 is a top, front perspective view thereof in an open configuration.

FIG. 7 is a bottom, front perspective view thereof in an open configuration.

FIG. 8 is a front elevational view of a package showing a second embodiment of our new design in a closed configuration.

FIG. 9 is a side elevation view; the other side being a mirror image thereof.

FIG. 10 is a rear elevational view thereof.

FIG. 11 is a top plan view; the bottom being a mirror image thereof.

FIG. 12 is top, front perspective view thereof in a transitional configuration.

FIG. 13 is a top, front perspective view thereof in an open configuration.

FIG. 14 is a bottom, front perspective view thereof in an open configuration.

FIG. 15 is a front elevational view of a package showing a third embodiment of our new design in a closed configuration.

FIG. 16 is a side elevation view; the other side being a mirror image thereof.

FIG. 17 is a rear elevational view thereof.

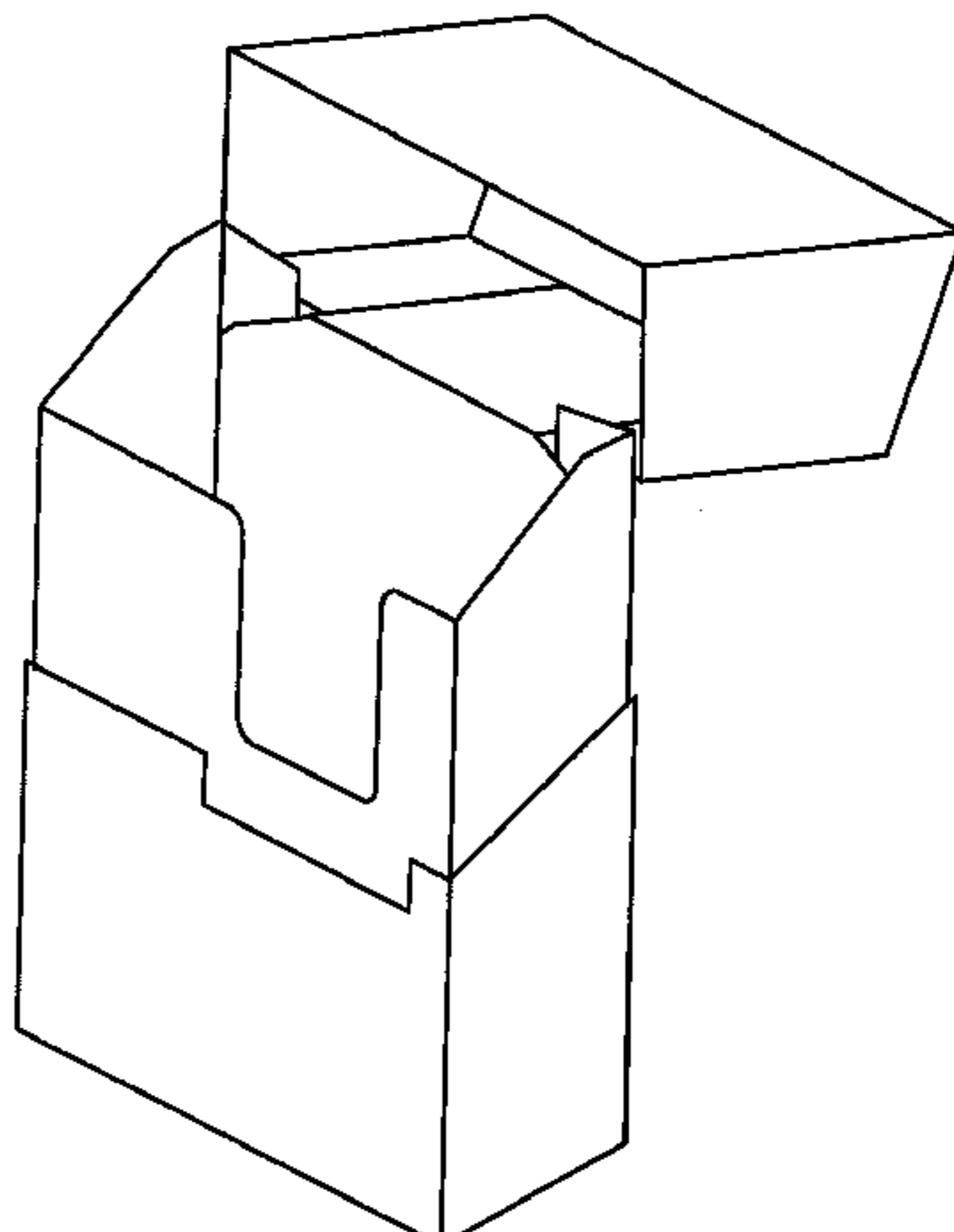
FIG. 18 is a top plan view; the bottom being a mirror image thereof.

FIG. 19 is top, front perspective view thereof in a transitional configuration.

FIG. 20 is a top, front perspective view thereof in an open configuration; and,

FIG. 21 is a bottom, front perspective view thereof in an open configuration.

**1 Claim, 6 Drawing Sheets**



# US D618,545 S

Page 2

## U.S. PATENT DOCUMENTS

			DE	100 31 319	A1	1/2002
			DE	102 18 558		11/2003
1,743,502	A	1/1930	Tanner	DM	049884	1/1999
2,365,739	A	12/1944	Williams	DM	054188	12/2000
2,617,578	A	11/1952	Fischer	DM	054252	12/2000
2,874,524	A	2/1959	Ringler	DM	057418	8/2001
2,928,581	A	3/1960	Graybill	DM	059199	2/2002
3,027,002	A	3/1962	Letourneur	DM	060304	3/2002
3,065,849	A	11/1962	Rice et al.	EP	0 679 581	11/1995
3,117,709	A	1/1964	Fuchs	EP	0 778 212	A1 6/1997
3,391,780	A	7/1968	Pasquine et al.	EP	0 837 012	4/1998
4,196,842	A	4/1980	Focke et al.	EP	0 782 534	B1 7/1998
4,267,958	A	5/1981	Focke et al.	EP	1 098 825	5/2001
4,997,082	A	3/1991	Durocher	EP	0 775 636	B1 8/2001
5,067,615	A	11/1991	Davitian	EP	1 140 661	B1 10/2001
5,158,664	A	10/1992	Colgan et al.	EP	1 174 364	1/2002
5,314,114	A	5/1994	Stone	EP	1 313 653	B1 5/2003
5,330,056	A	7/1994	de la Rocha	EP	54 234	11/2003
5,515,996	A	5/1996	Stone	EP	1 103 369	A2 8/2004
5,518,172	A	5/1996	Nanno	EP	1 497 202	B1 1/2005
5,673,849	A	10/1997	Stone	EP	338 397	6/2005
5,725,144	A	3/1998	Stone et al.	EP	1 086 029	B1 4/2006
5,875,963	A	3/1999	Stone et al.	GB	819 206	9/1959
5,911,359	A	6/1999	Stone et al.	GB	2229996	10/1990
6,016,916	A	1/2000	Ortner	JP	1108601	3/2001
D462,139	S	8/2002	Sagmeister et al.	KR	30-2001-0029637	1/2002
6,474,469	B1	11/2002	Luton et al.	KR	20-2005-0018646	9/2005
6,478,149	B1	11/2002	Parker	RU	54815	7/2004
6,957,765	B2	10/2005	Howell et al.	RU	57866	10/2005
7,175,022	B2	2/2007	Ito	WO	WO 79/000034	1/1979
D579,325	S	10/2008	Bray et al.	WO	WO 96/09230	3/1996
D582,264	S	12/2008	Snyder	WO	WO 98/50288	11/1998
2006/0021883	A1	2/2006	Focke et al.	WO	WO 99/02428	1/1999
2006/0157357	A1	7/2006	Serafini et al.	WO	WO 00/05151	2/2000
2008/0121538	A1	5/2008	Buse	WO	DM 059199	2/2002
2008/0230410	A1	9/2008	Steven Jones et al.	WO	WO 00/34150	9/2003

## FOREIGN PATENT DOCUMENTS

DE	196 43 411	4/1998
DE	198 58 786	6/2000
		WO 03/078274 9/2003
		WO 2004/089785 10/2004
		WO 2005/014435 2/2005

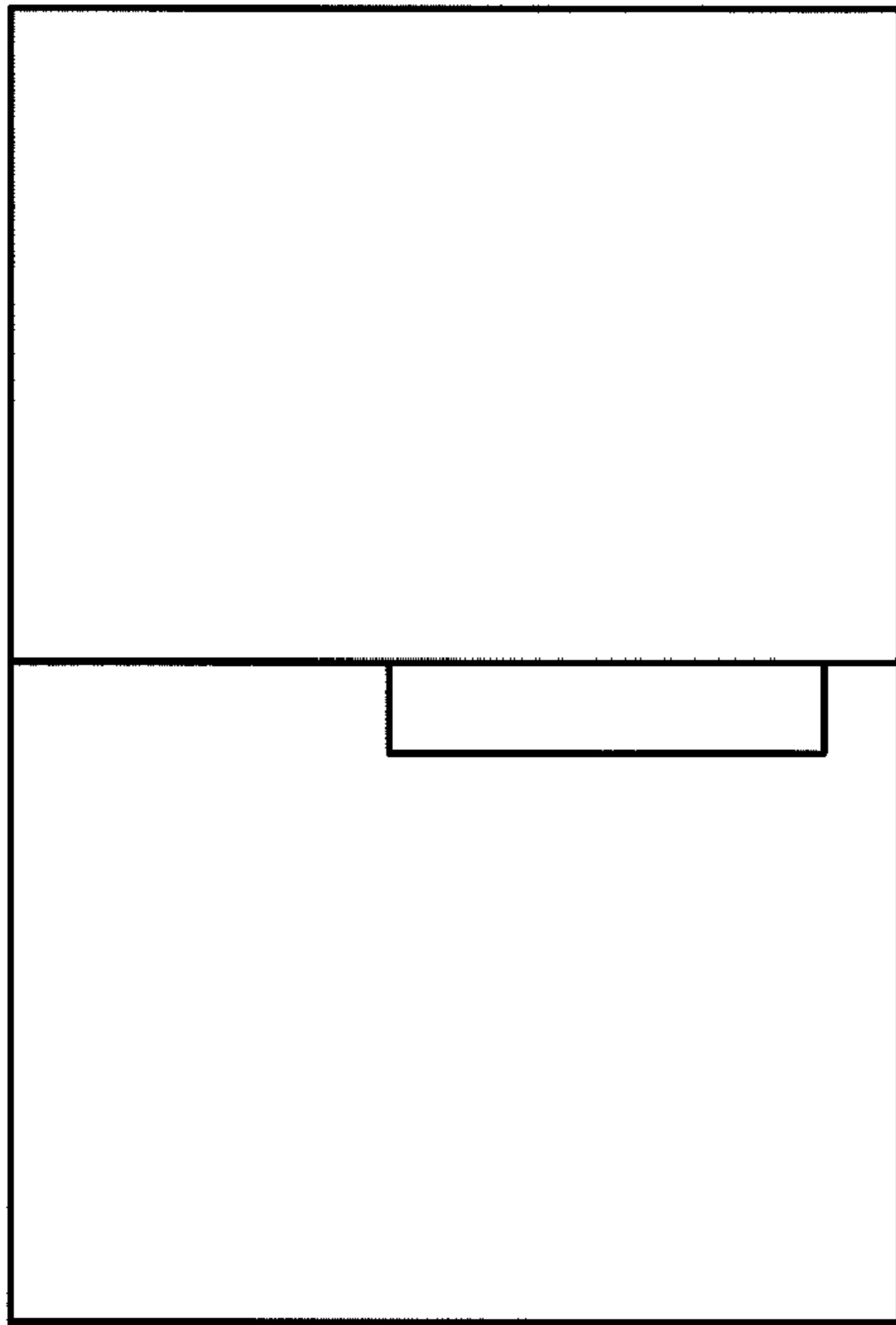


FIG. 1



FIG. 2

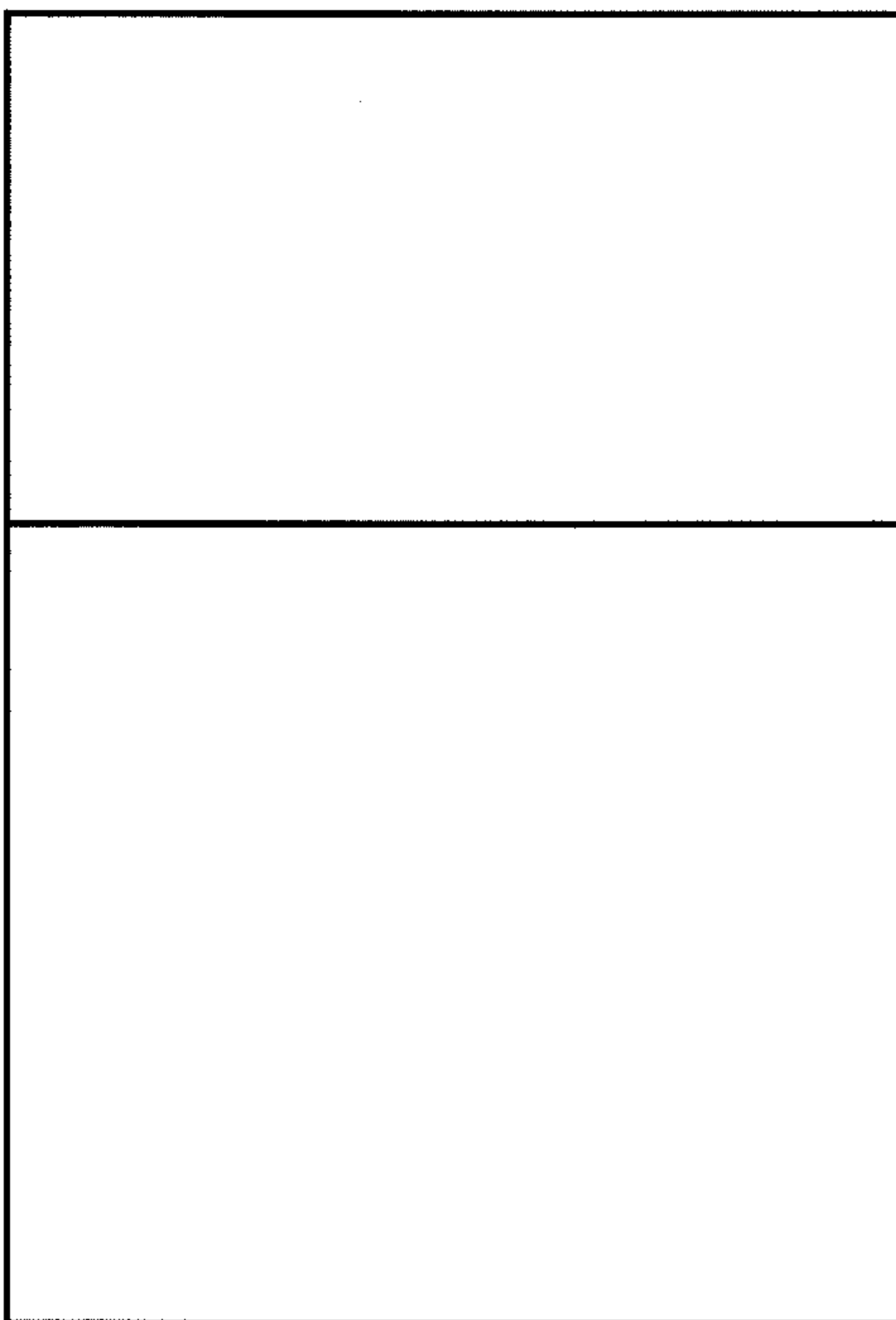


FIG. 3

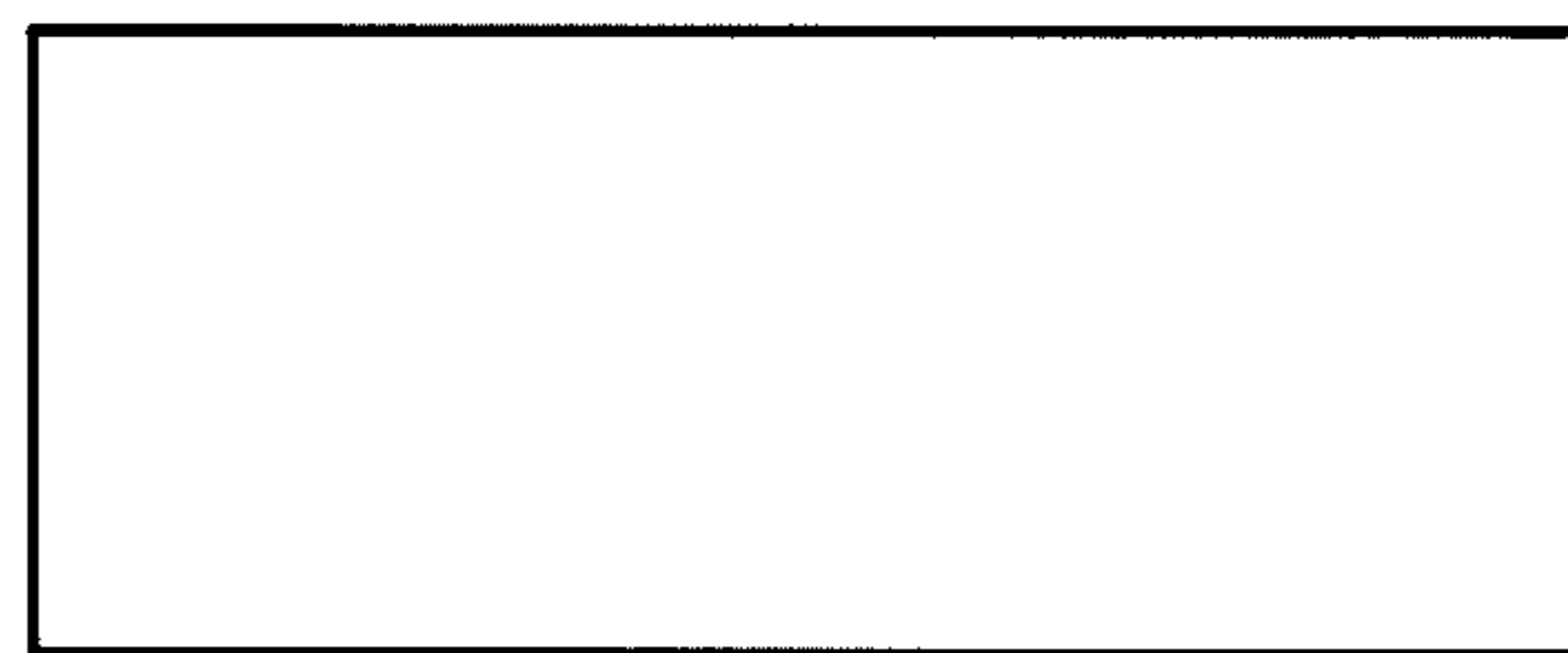


FIG. 4

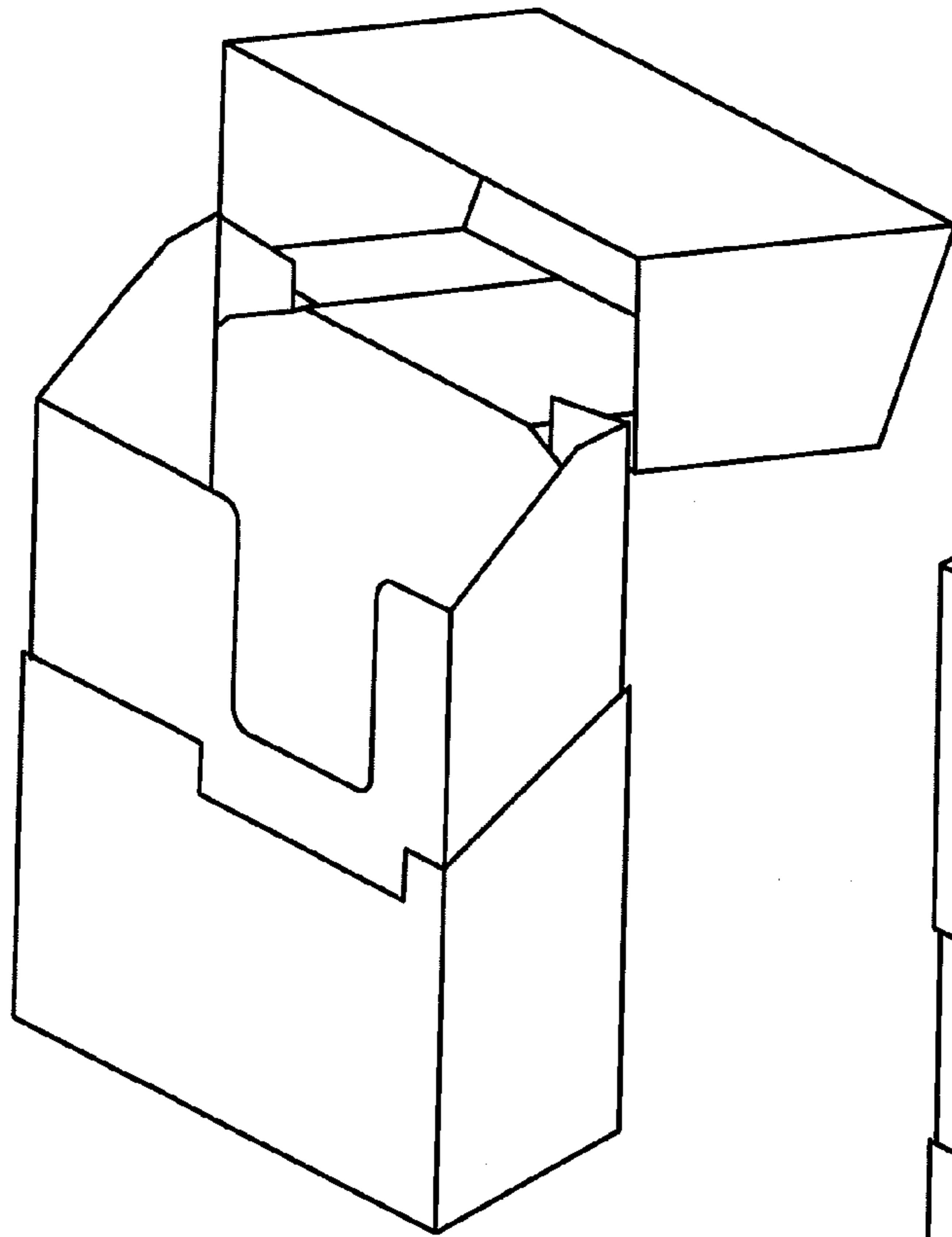


FIG. 6

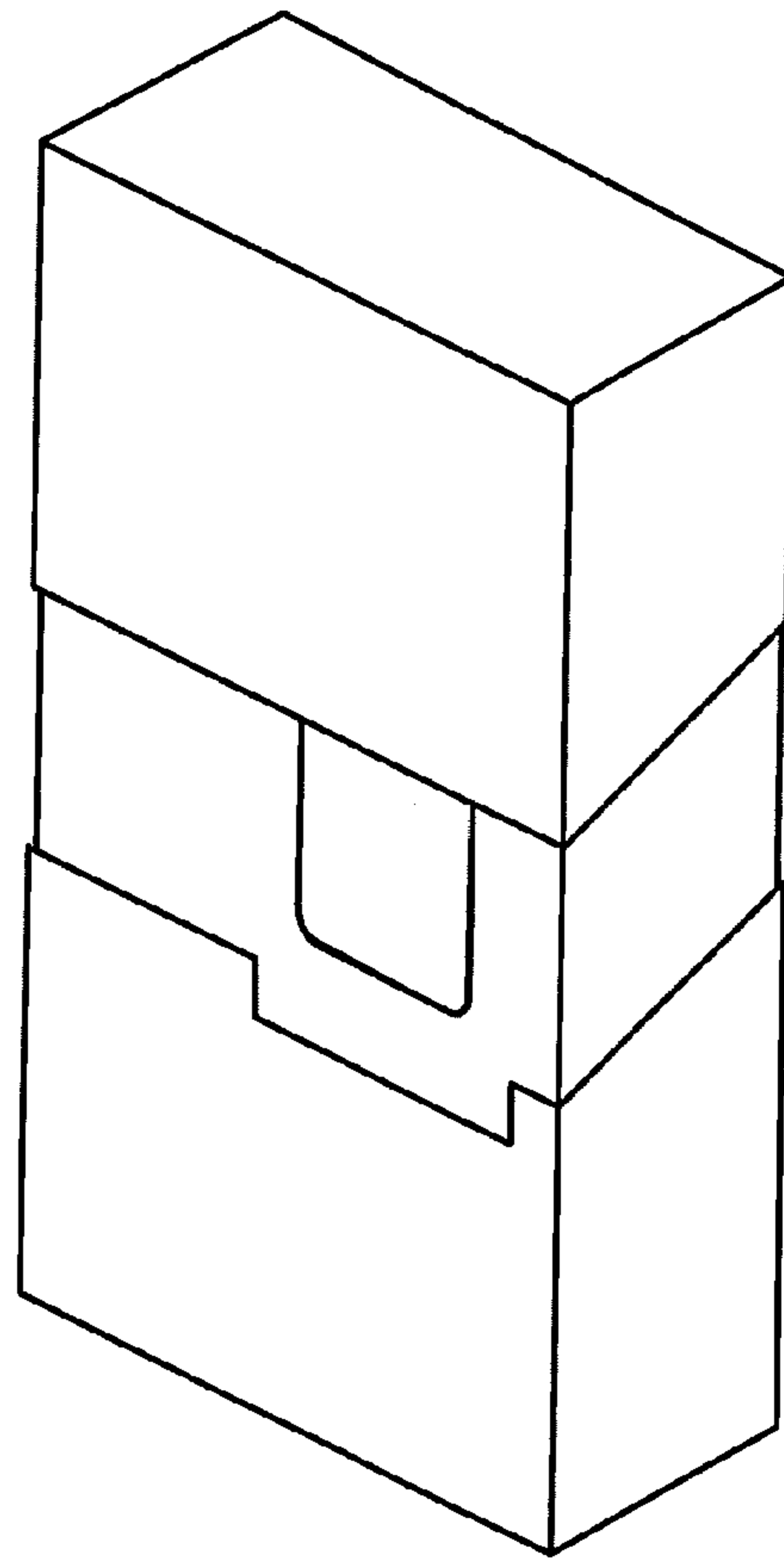


FIG. 5

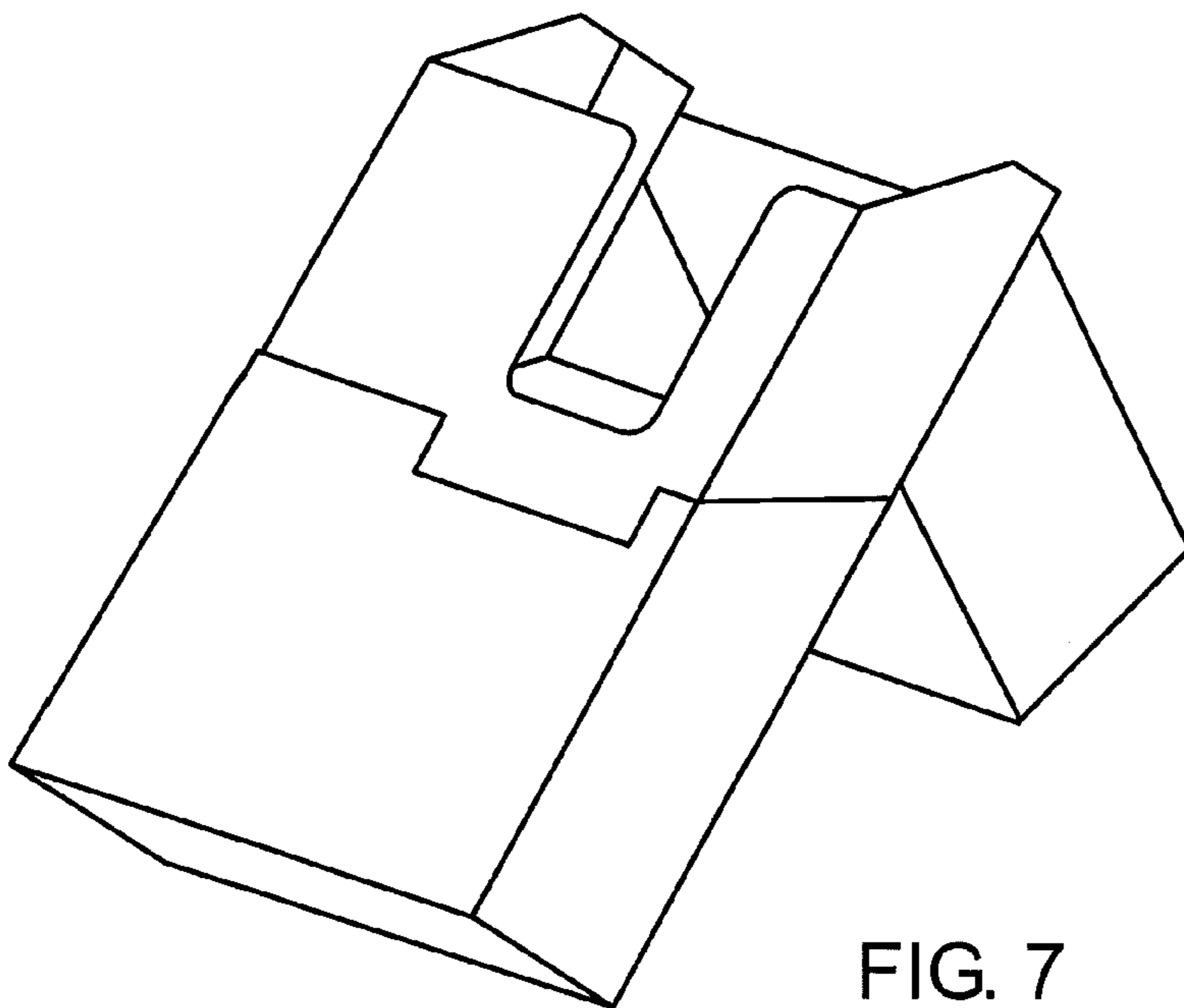


FIG. 7

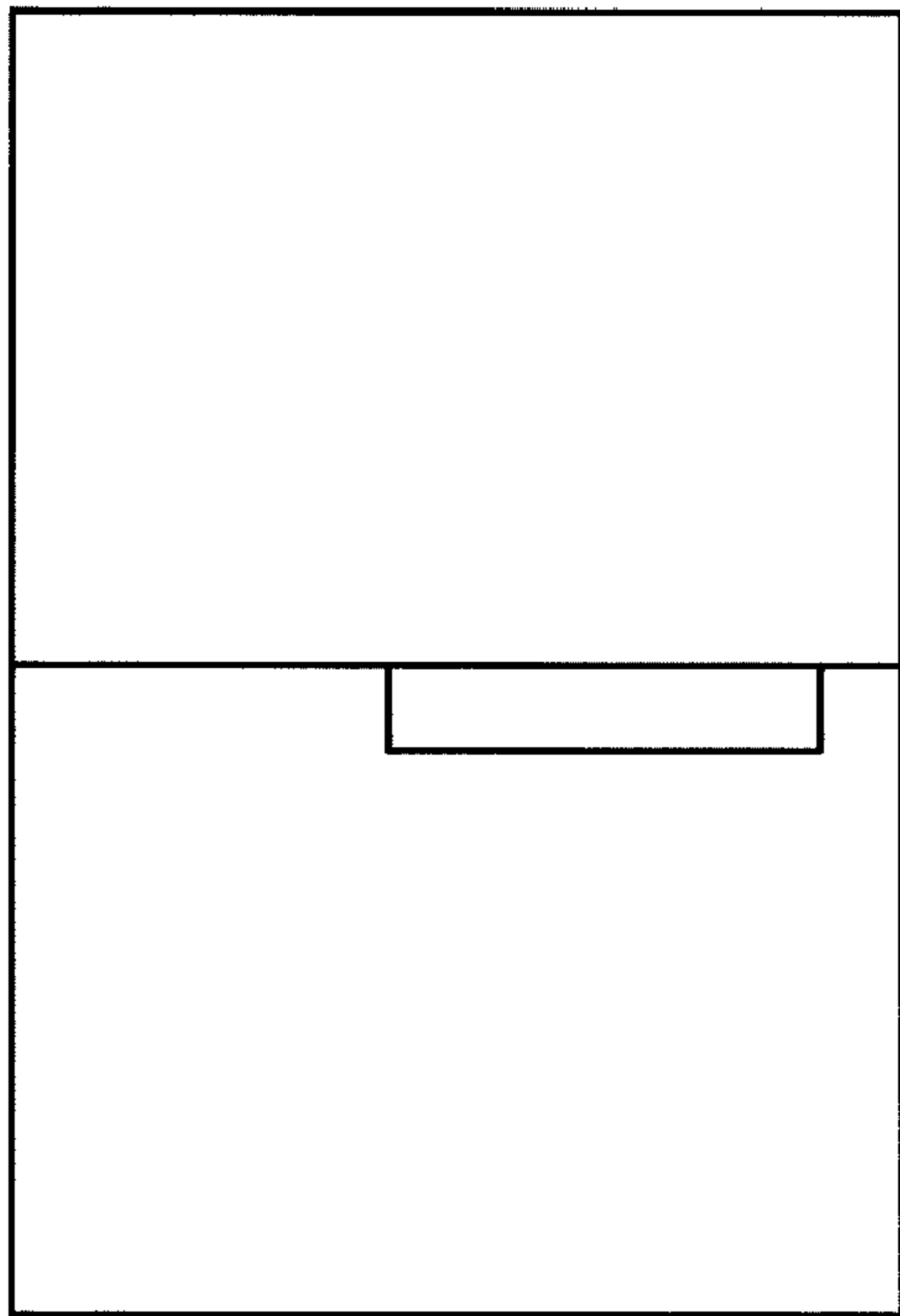


FIG. 8

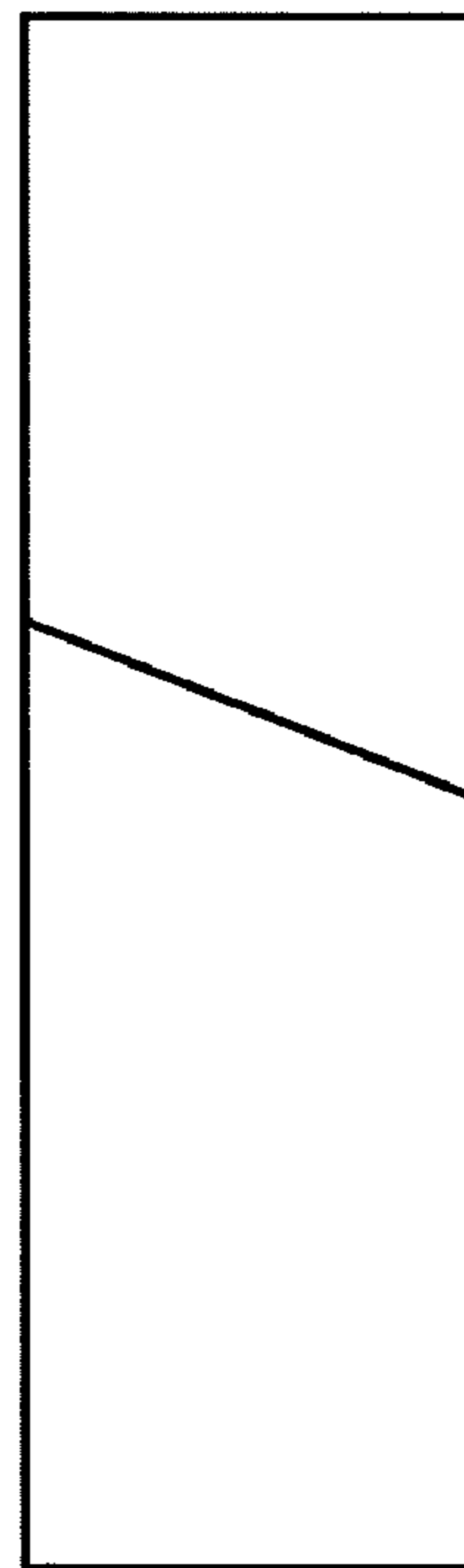


FIG. 9

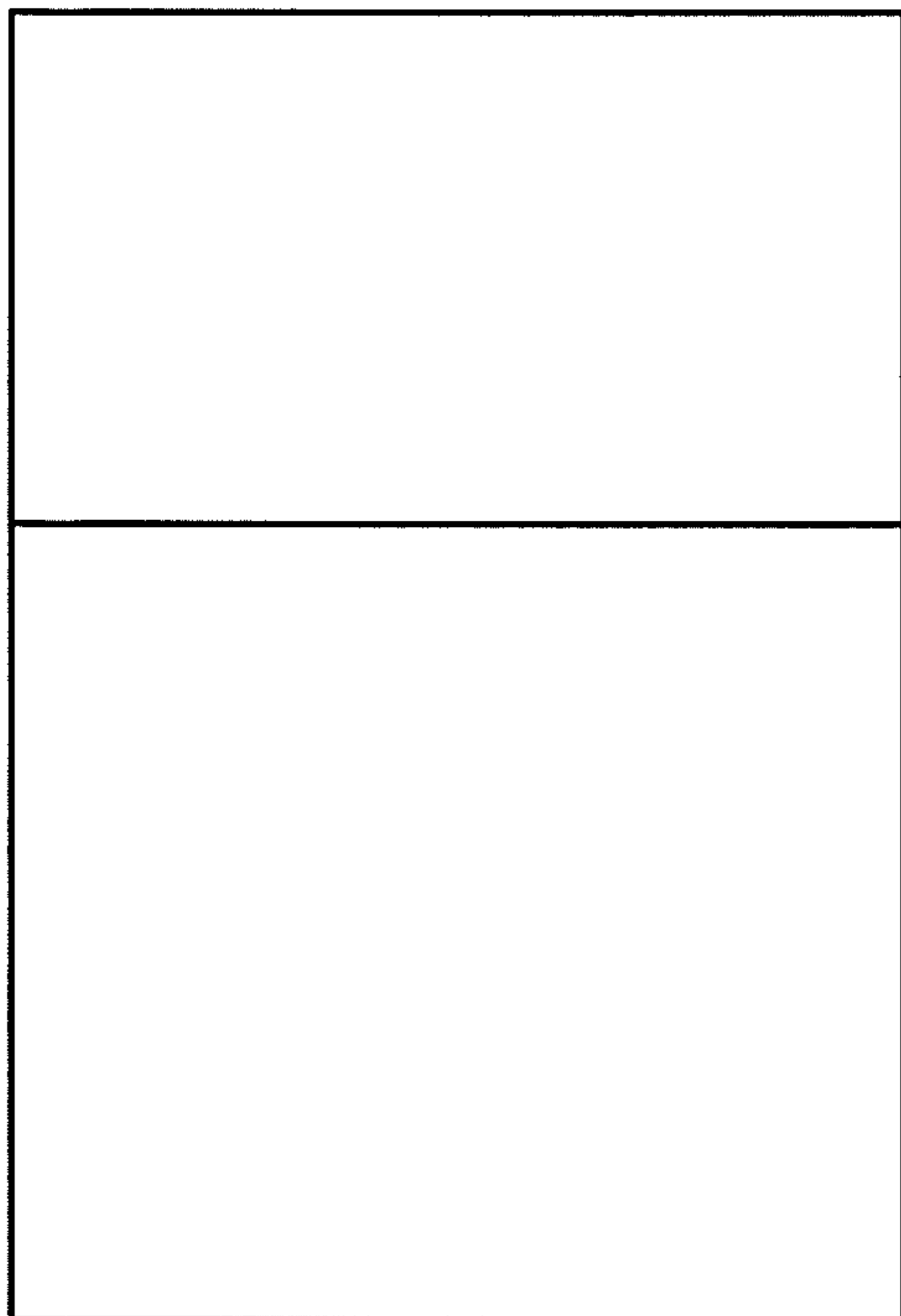


FIG. 10

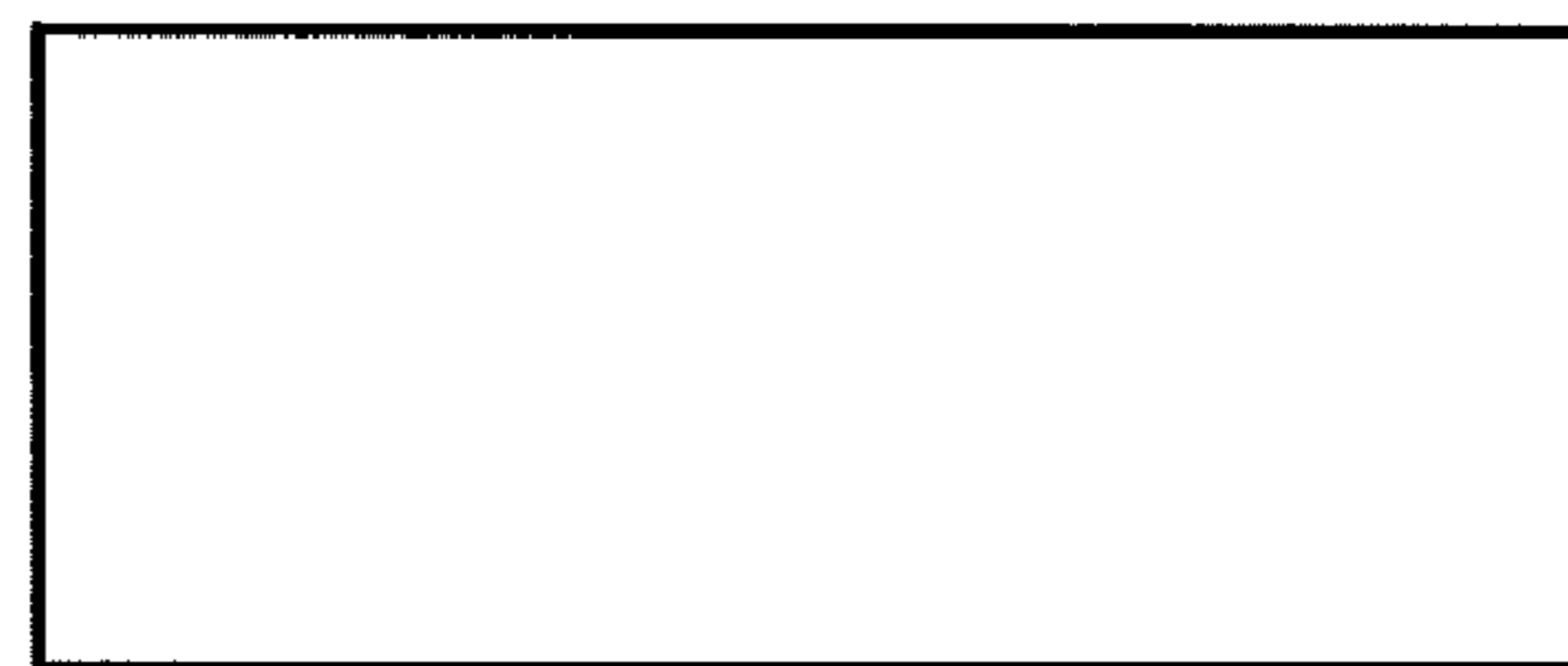


FIG. 11

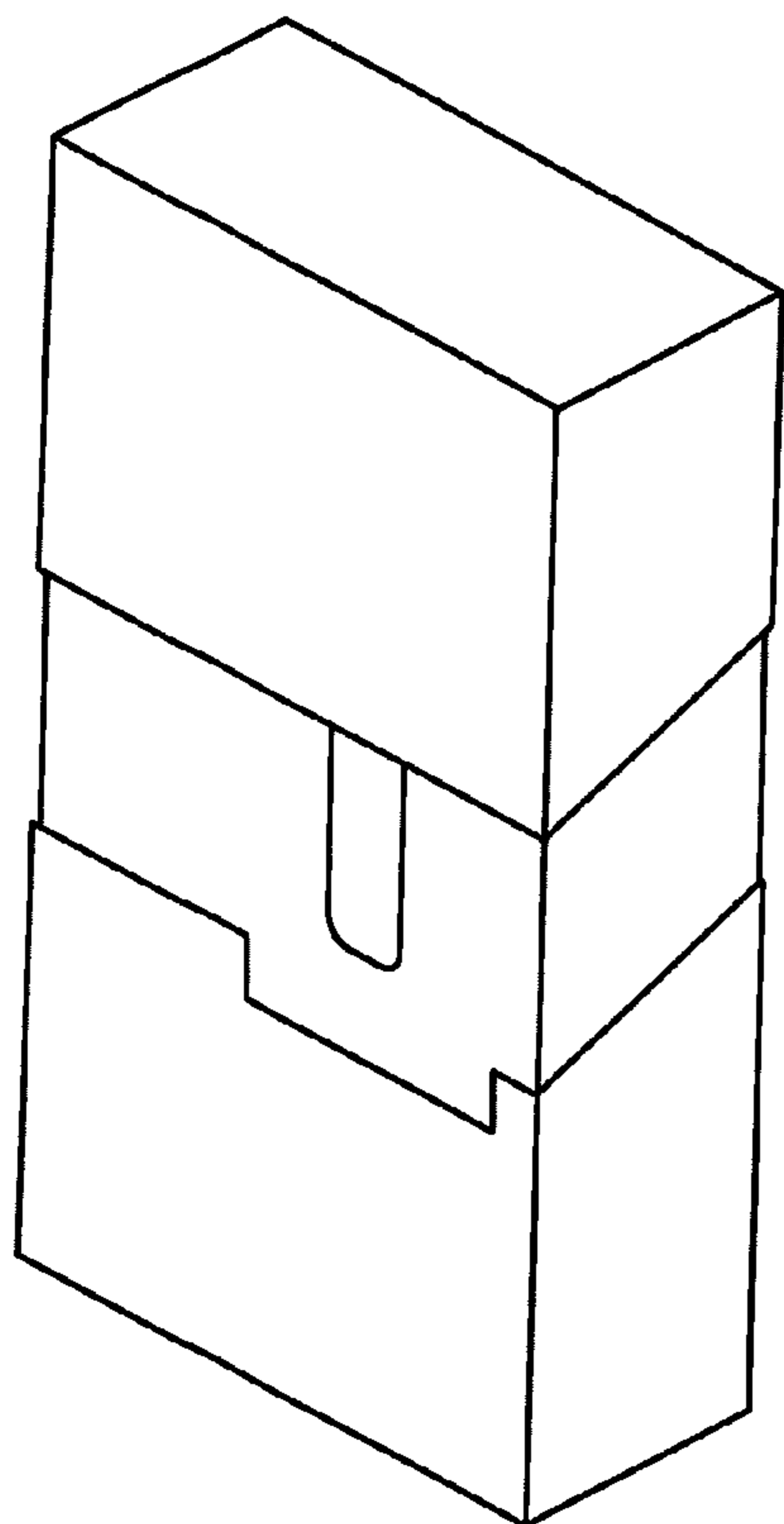


FIG. 12

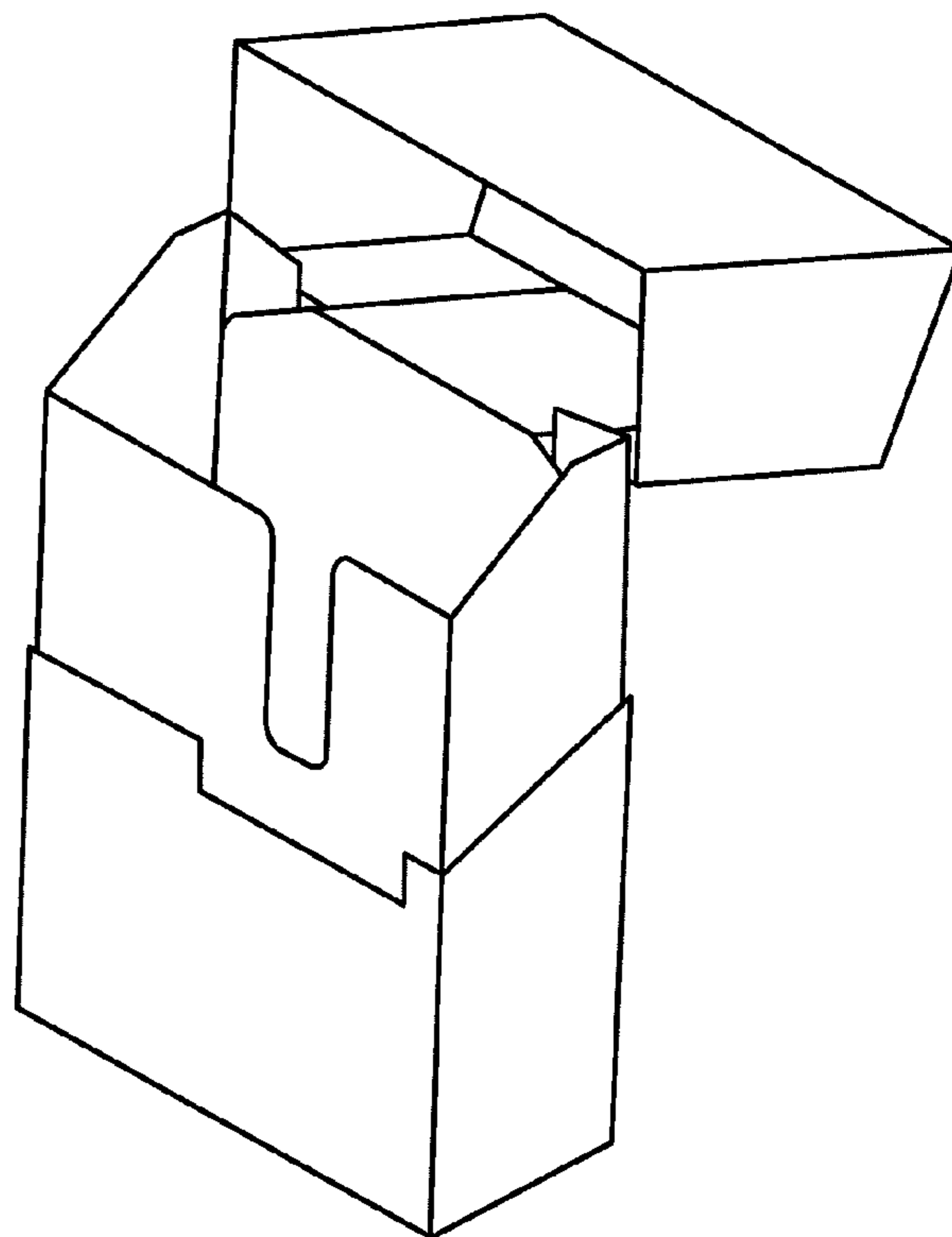


FIG. 13

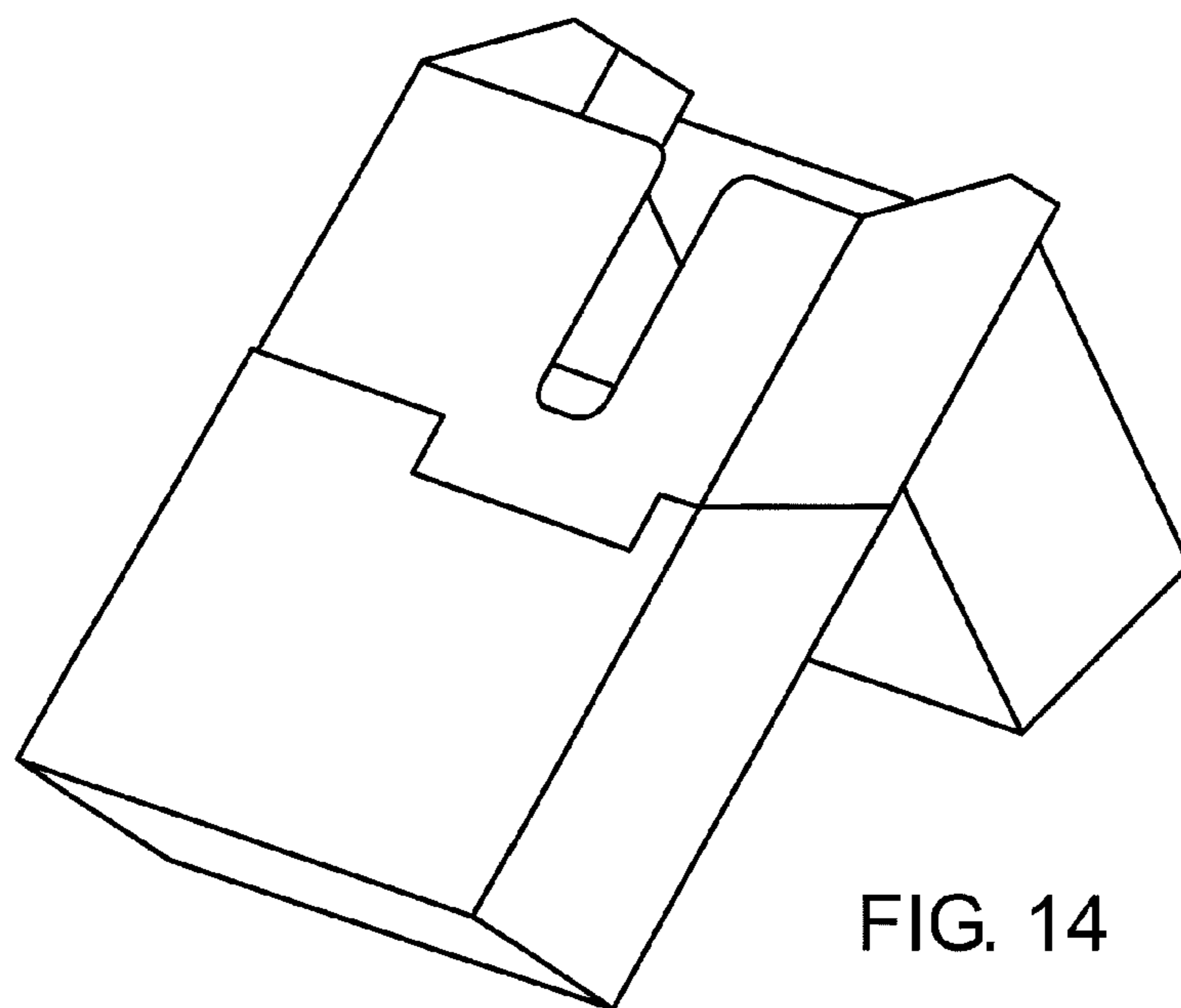


FIG. 14

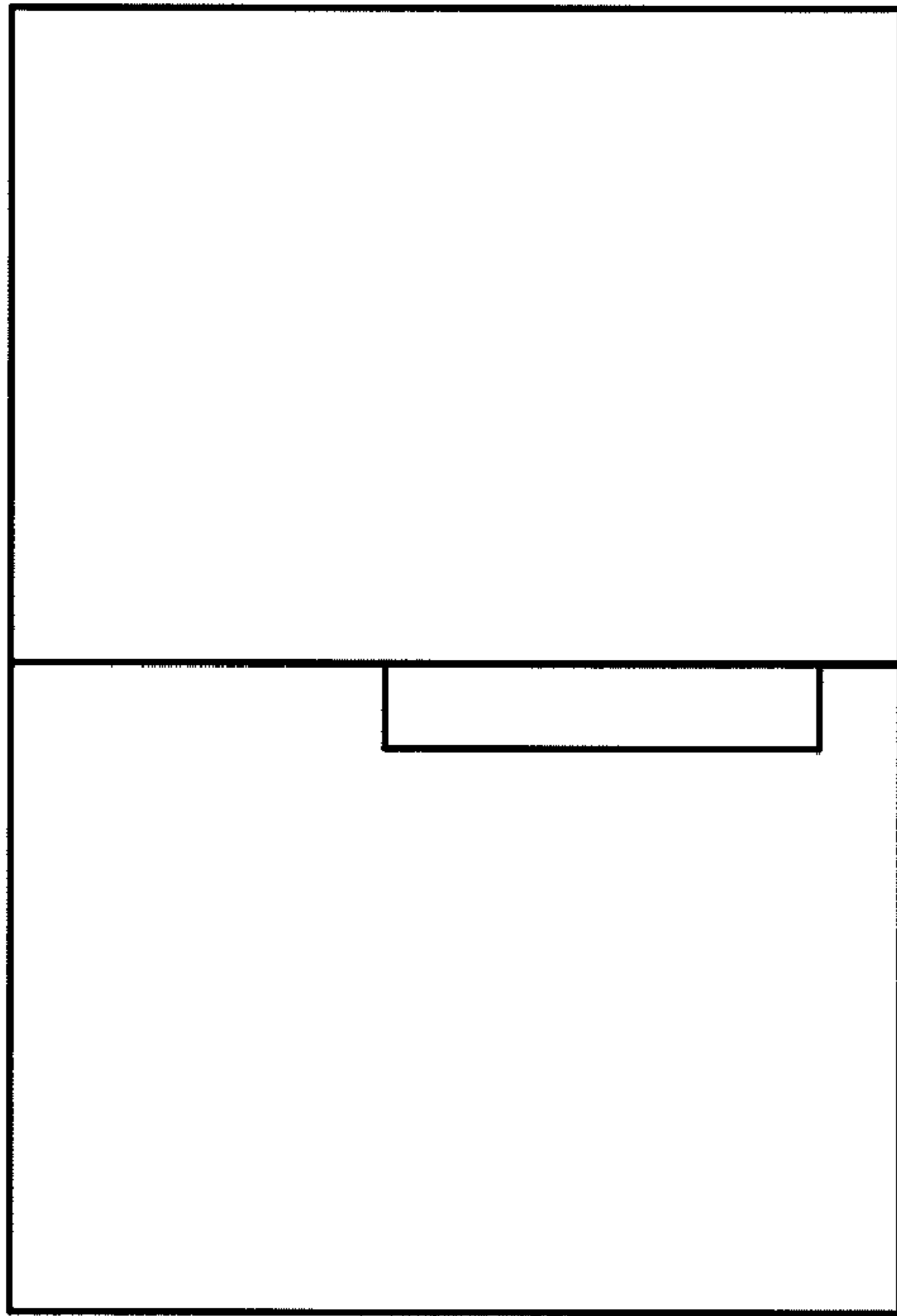


FIG. 15

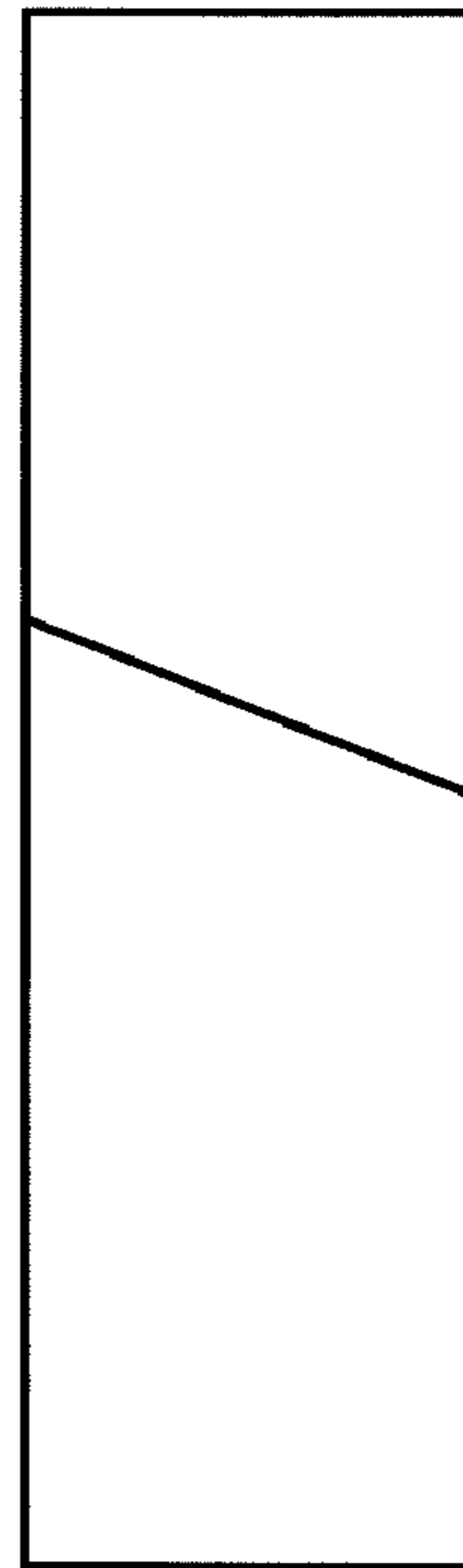


FIG. 16

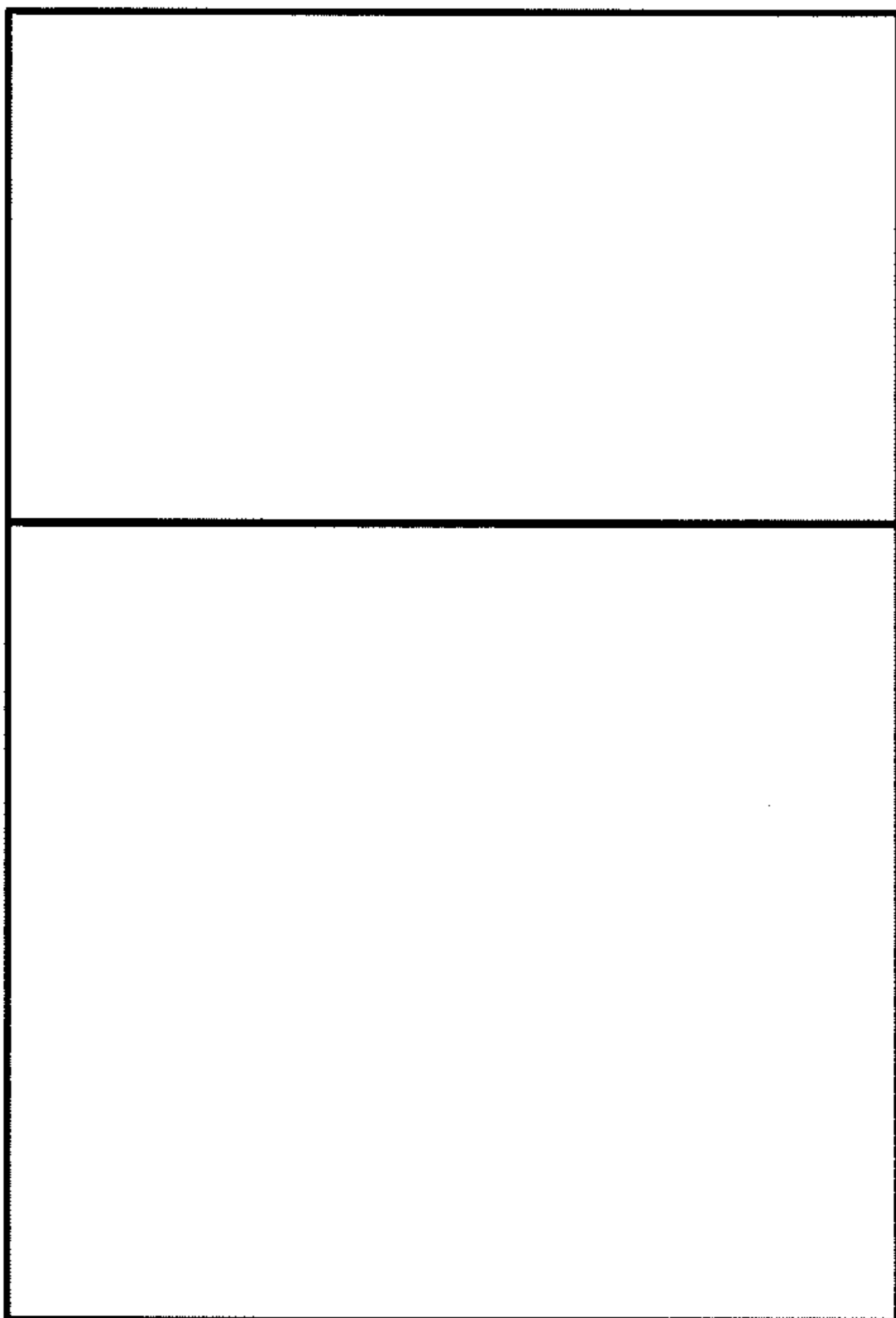


FIG. 17

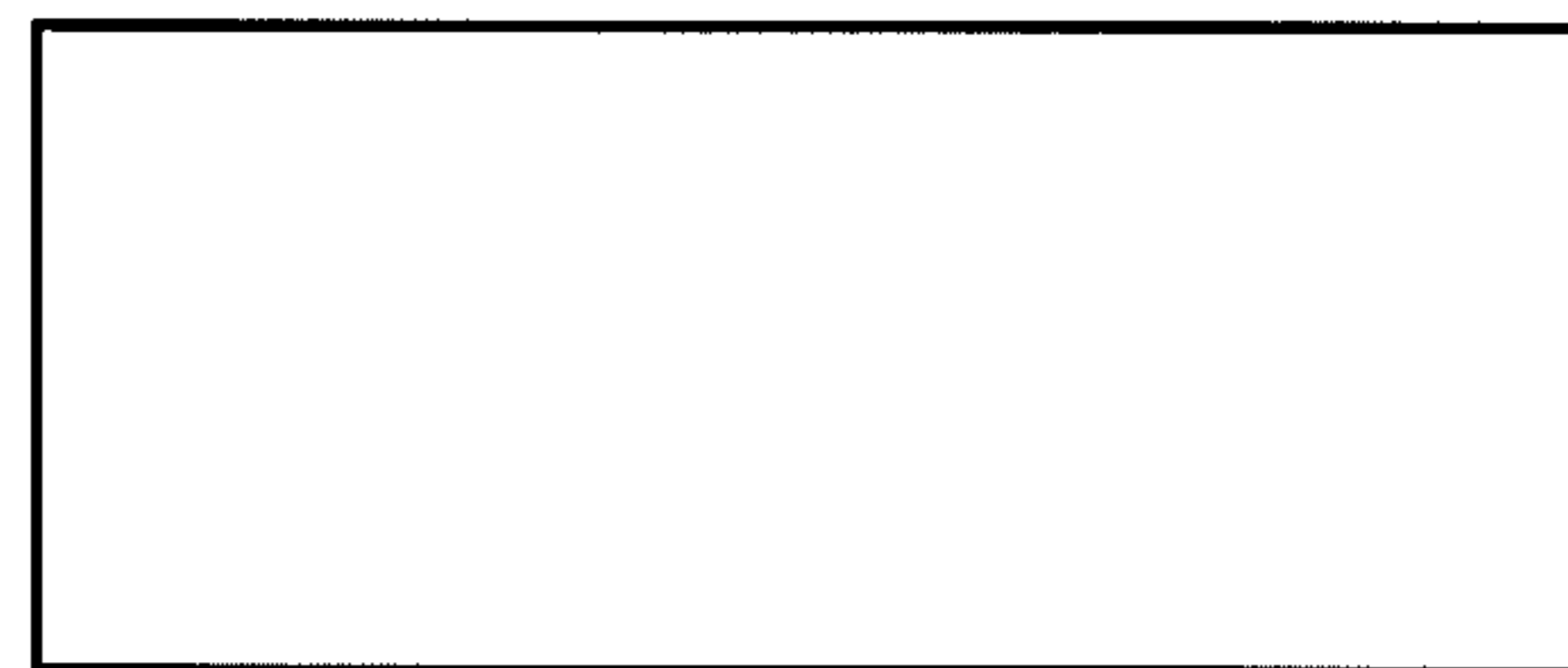


FIG. 18

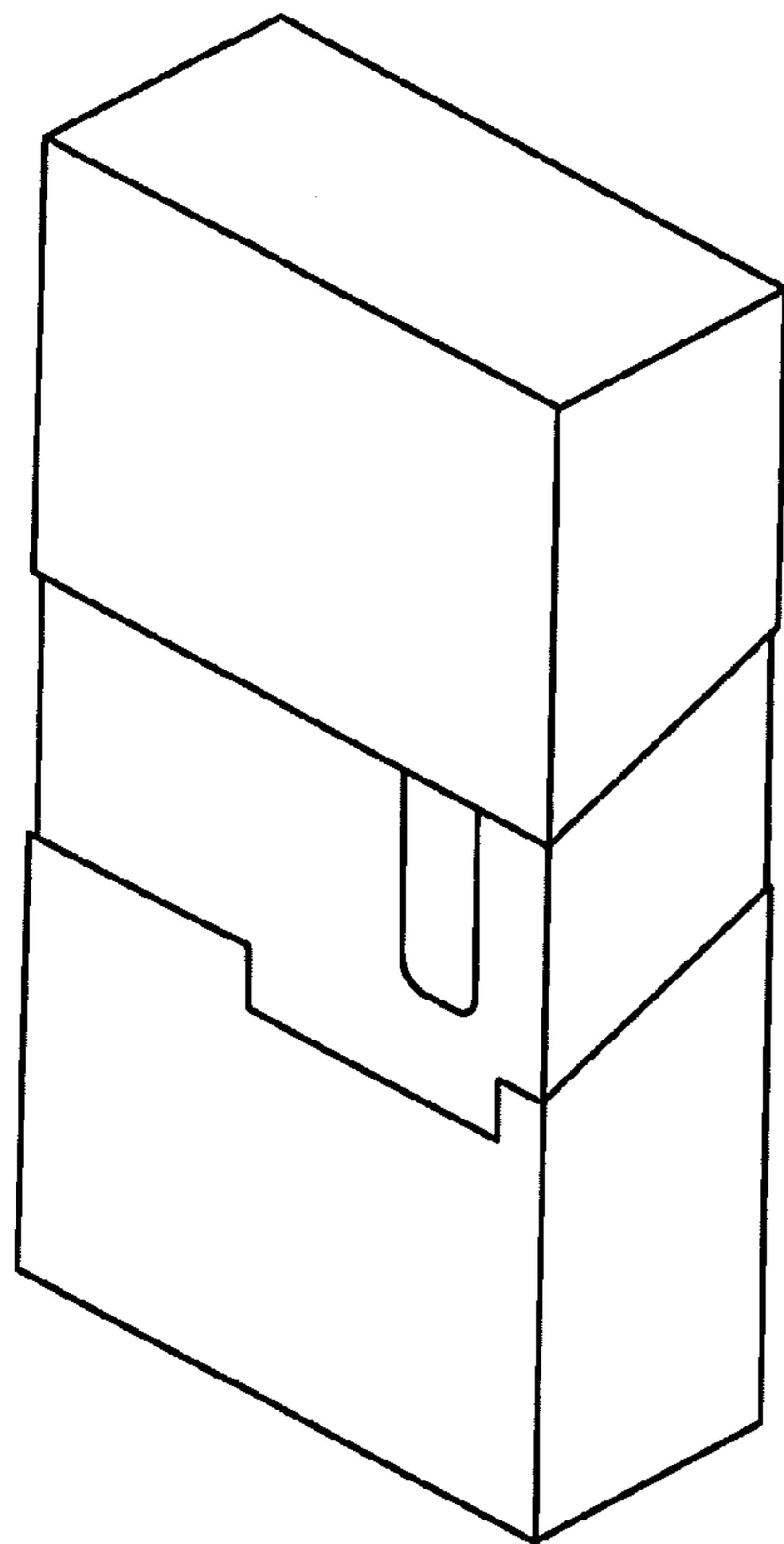


FIG. 19

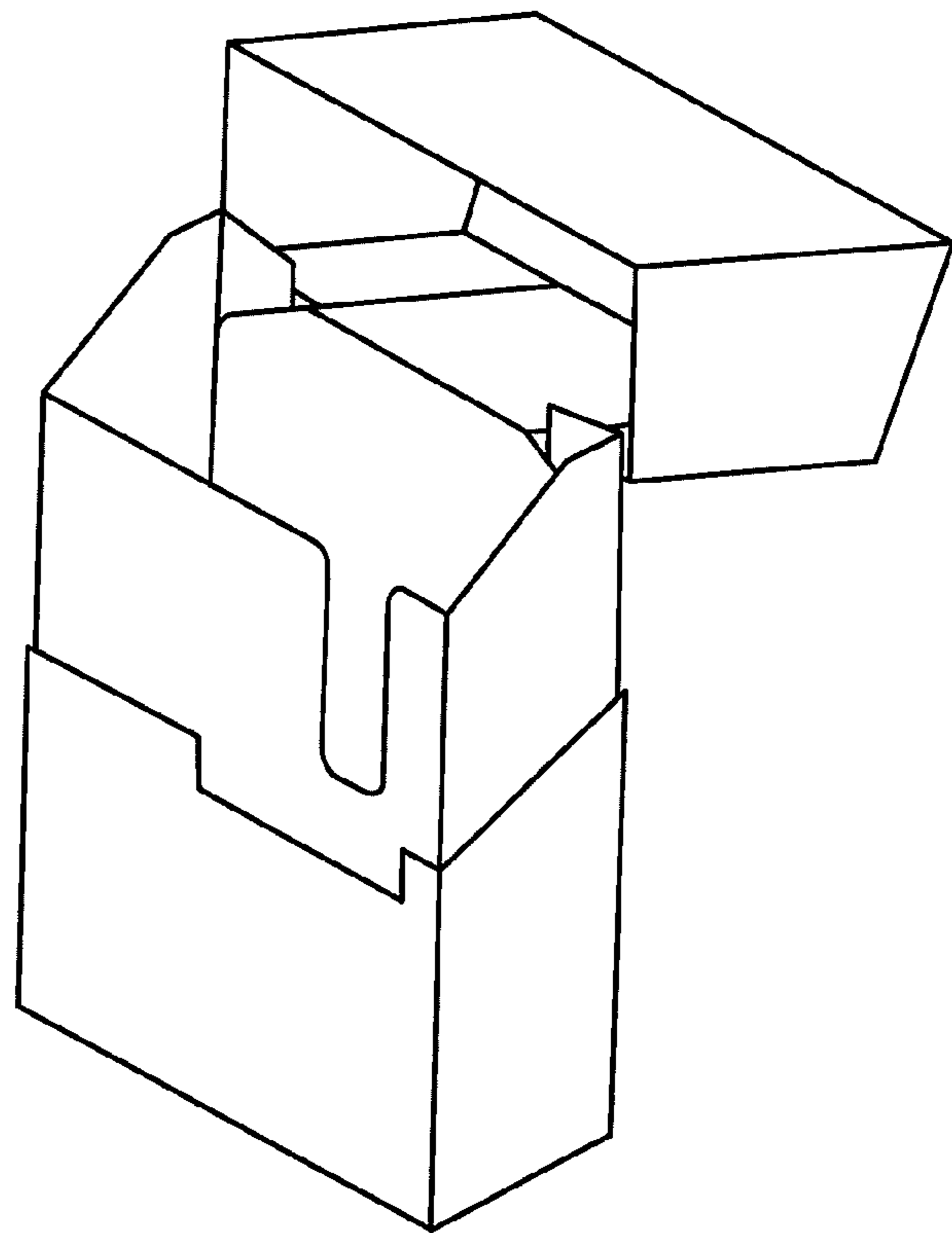


FIG. 20

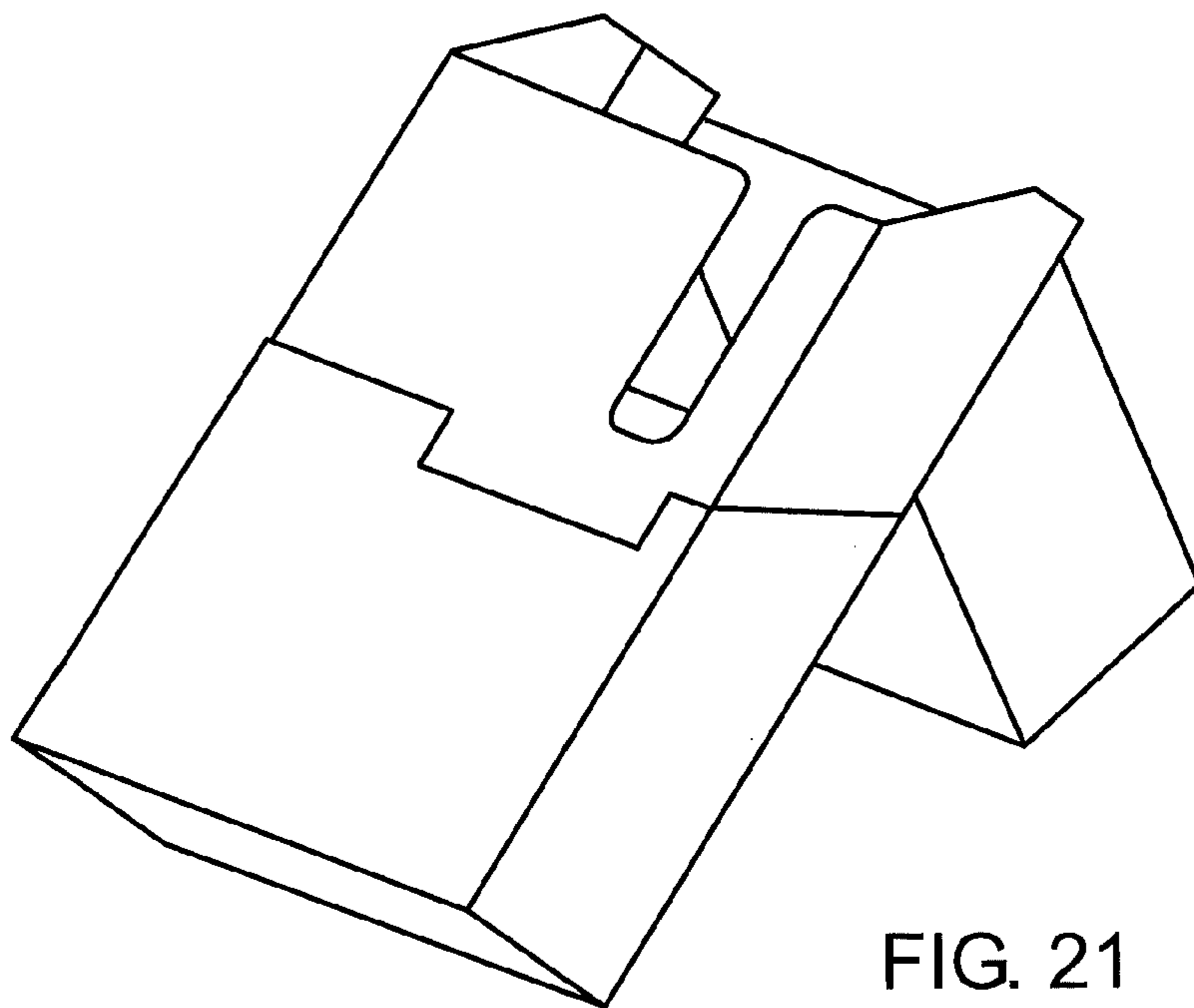


FIG. 21



UNITED STATES PATENT AND TRADEMARK OFFICE  
**CERTIFICATE OF CORRECTION**

PATENT NO. : Des. 618,545 S  
APPLICATION NO. : 29/345514  
DATED : June 29, 2010  
INVENTOR(S) : Jean-Michel Toinet

Page 1 of 1

It is certified that error appears in the above-identified patent and that said Letters Patent is hereby corrected as shown below:

Title Page: Add Section --(60) Related U.S. Patent Application Data, U.S. Patent No. 29/270,838,  
filed on January 5, 2007.--

Signed and Sealed this

Thirtieth Day of November, 2010

A handwritten signature in black ink that reads "David J. Kappos". The signature is written in a cursive, flowing style.

David J. Kappos  
*Director of the United States Patent and Trademark Office*