



US00D618533S

(12) **United States Design Patent**  
**Lie-Nielsen**

(10) **Patent No.:** **US D618,533 S**

(45) **Date of Patent:** **\*\* Jun. 29, 2010**

(54) **ROUTER PLANE**

(76) Inventor: **Thomas Lie-Nielsen**, Box 9, Warren,  
ME (US) 04864

(\*\*) Term: **14 Years**

(21) Appl. No.: **29/299,656**

(22) Filed: **Dec. 31, 2007**

(51) **LOC (9) Cl.** ..... **08-03**

(52) **U.S. Cl.** ..... **D8/101**

(58) **Field of Classification Search** ..... D8/98,  
D8/101; 30/478, 484, 487, 490, 491; 407/66;  
409/180

See application file for complete search history.

(56) **References Cited**

**U.S. PATENT DOCUMENTS**

D137,230	S	*	2/1944	Oxhandler	.....	D8/101
3,499,365	A	*	3/1970	Needham	.....	409/180
D217,536	S	*	5/1970	O'Connell	.....	D8/101
4,088,165	A	*	5/1978	Andersson	.....	30/478
2008/0085164	A1	*	4/2008	Saunders et al.	.....	407/66

\* cited by examiner

*Primary Examiner*—Philip S Hyder  
*Assistant Examiner*—Roselynn Cody

(74) *Attorney, Agent, or Firm*—EJ Asbury III, LLC

(57) **CLAIM**

The ornamental design for a router plane, as shown.

**DESCRIPTION**

FIG. 1 is a perspective view of the router plane;

FIG. 2 is a front view thereof;

FIG. 3 is a back view thereof;

FIG. 4 is a right side view thereof;

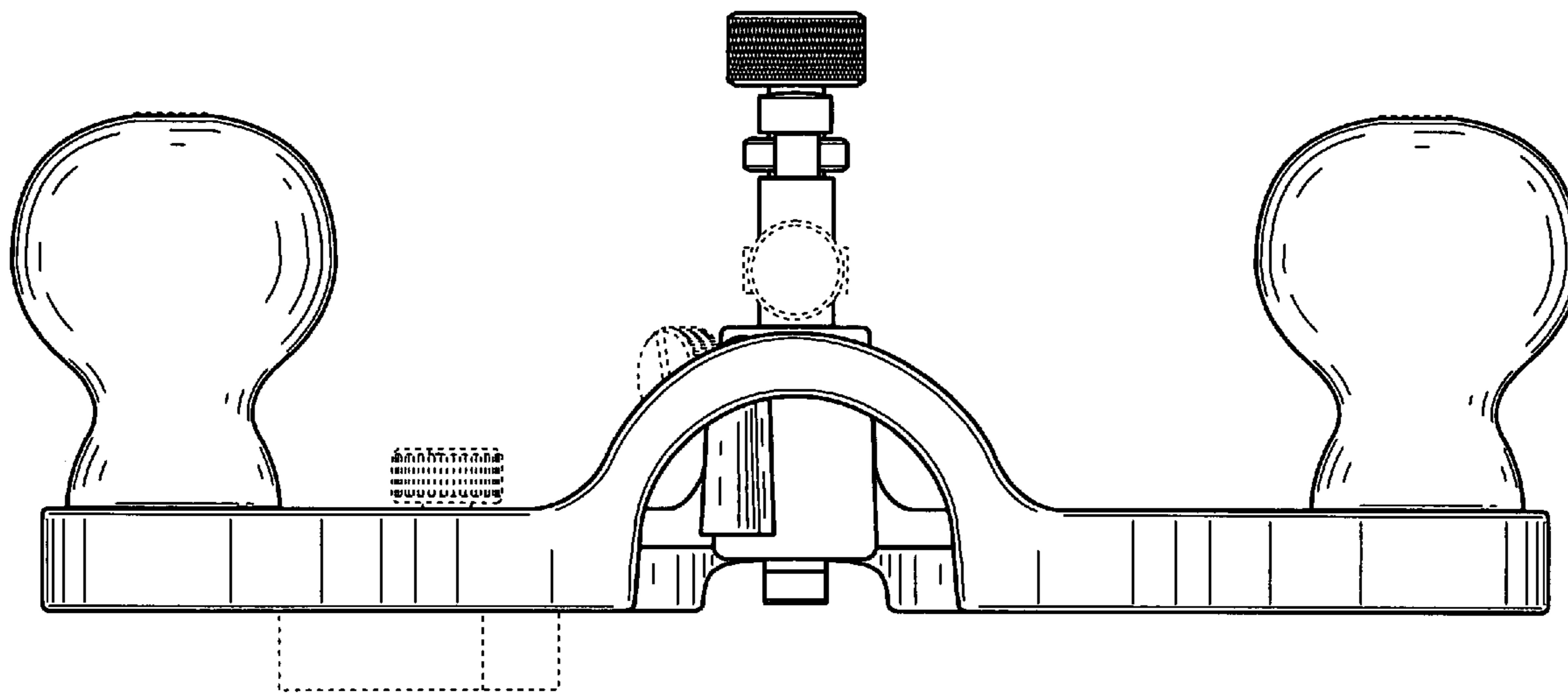
FIG. 5 is a left side view thereof;

FIG. 6 is a top view thereof; and,

FIG. 7 is a bottom view thereof.

The broken lines shown in FIGS. 1–7 show environmental structure and form no part of the claimed design.

**1 Claim, 6 Drawing Sheets**



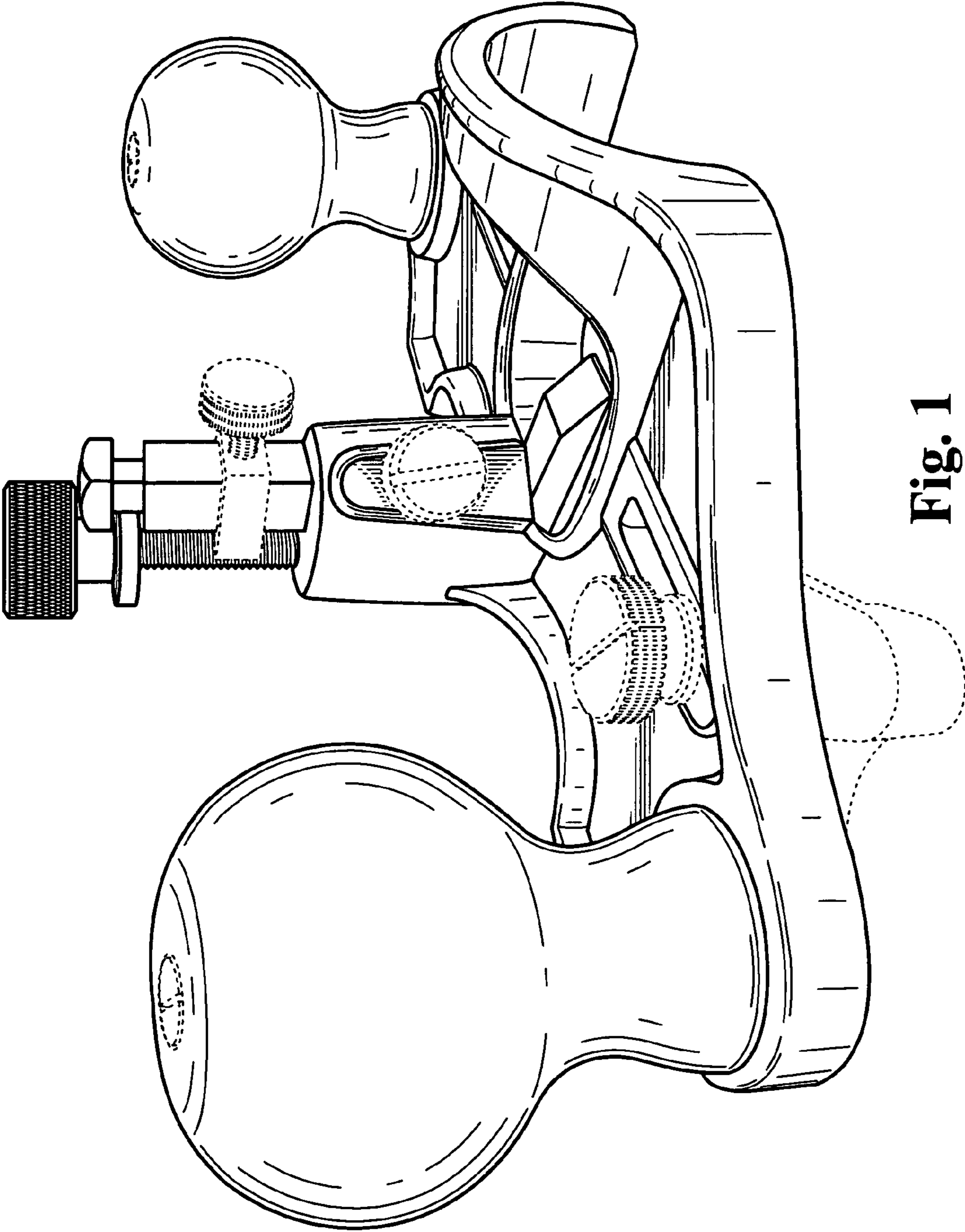


Fig. 1

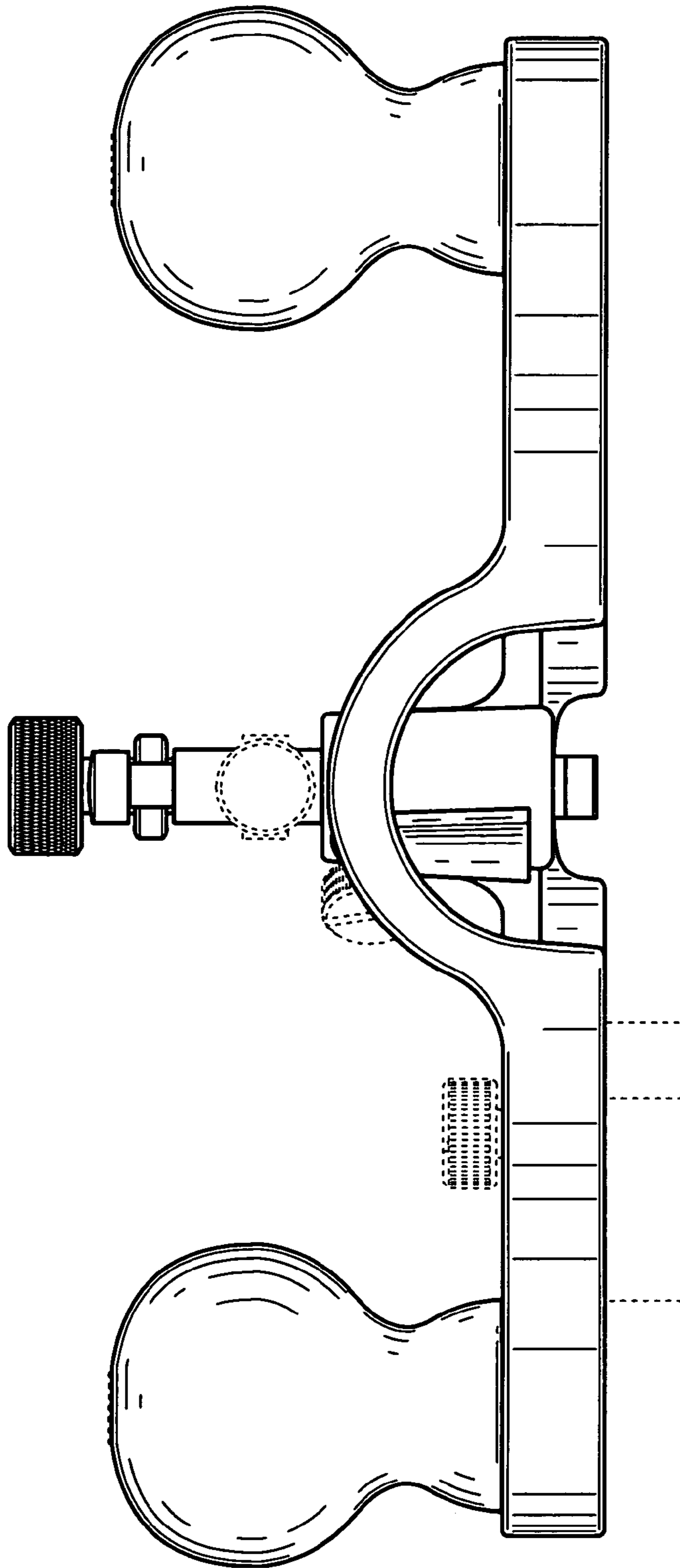


Fig. 2

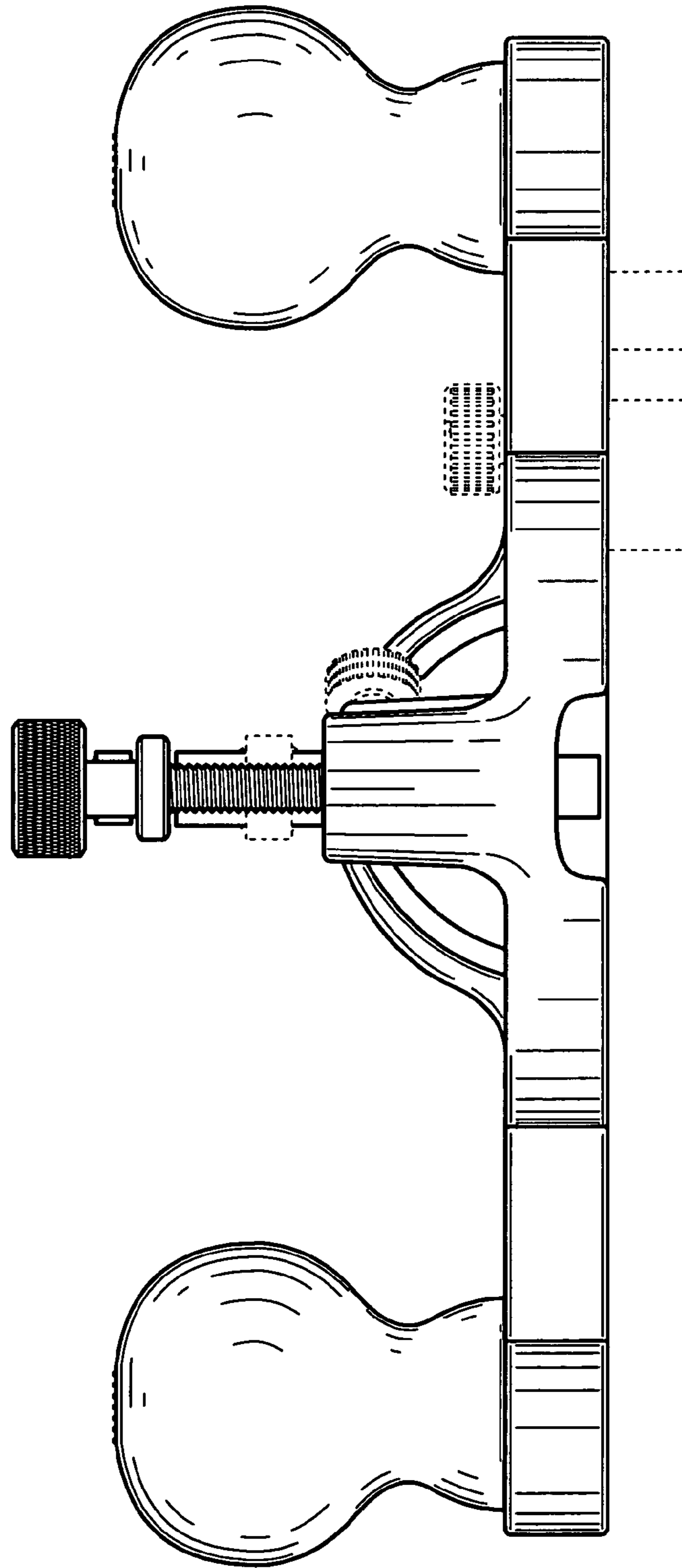


Fig. 3

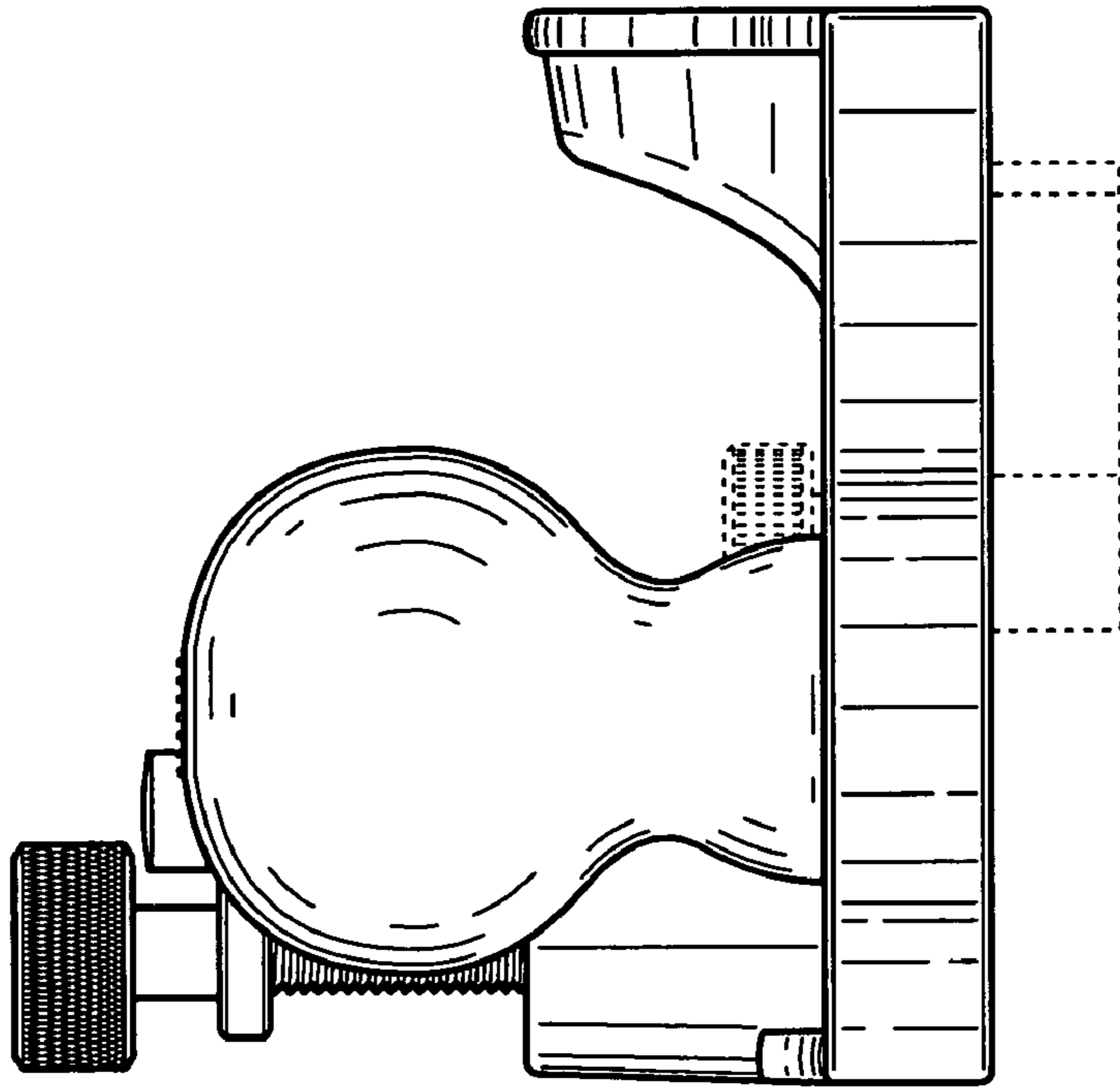


Fig. 5

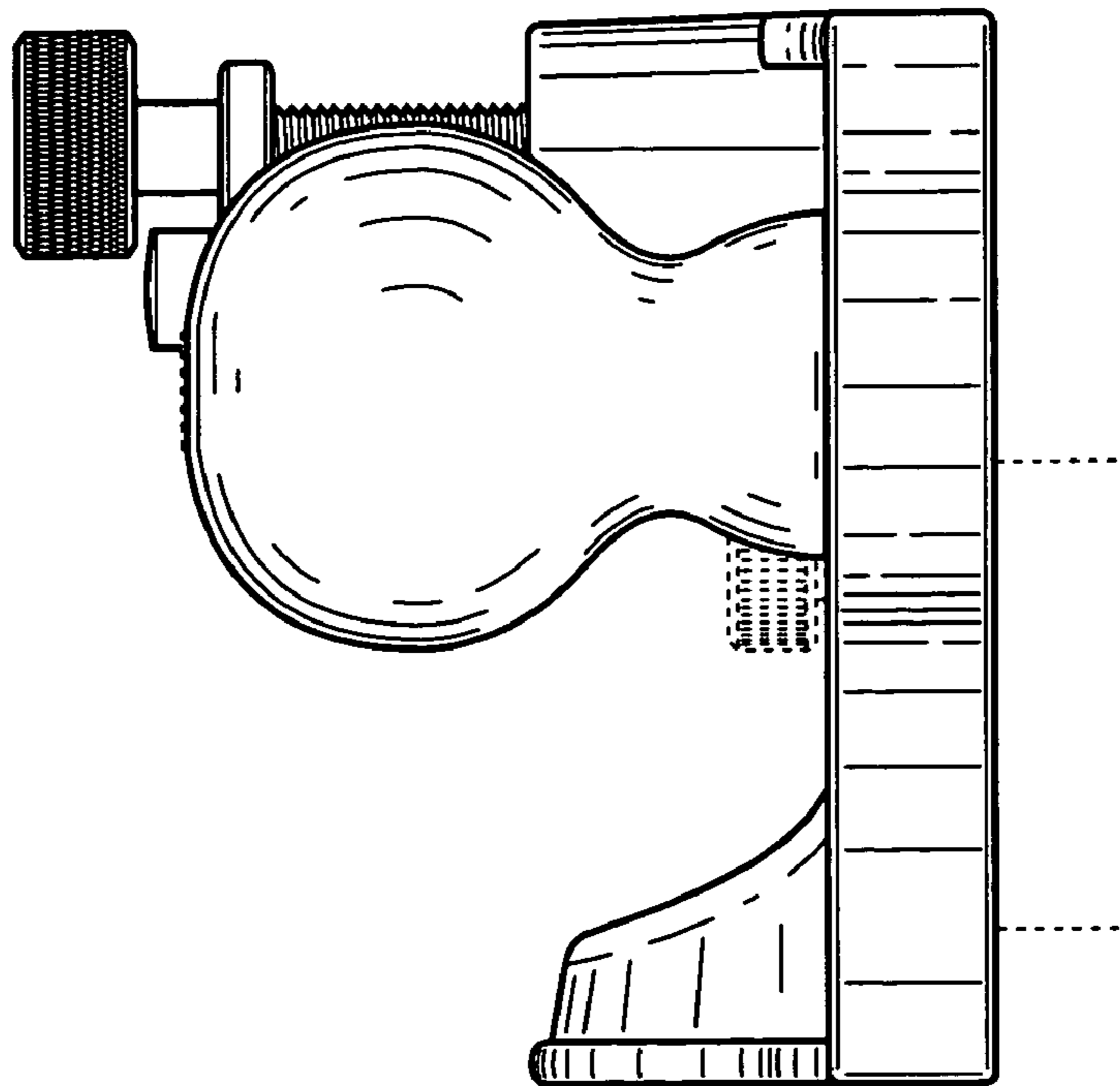


Fig. 4

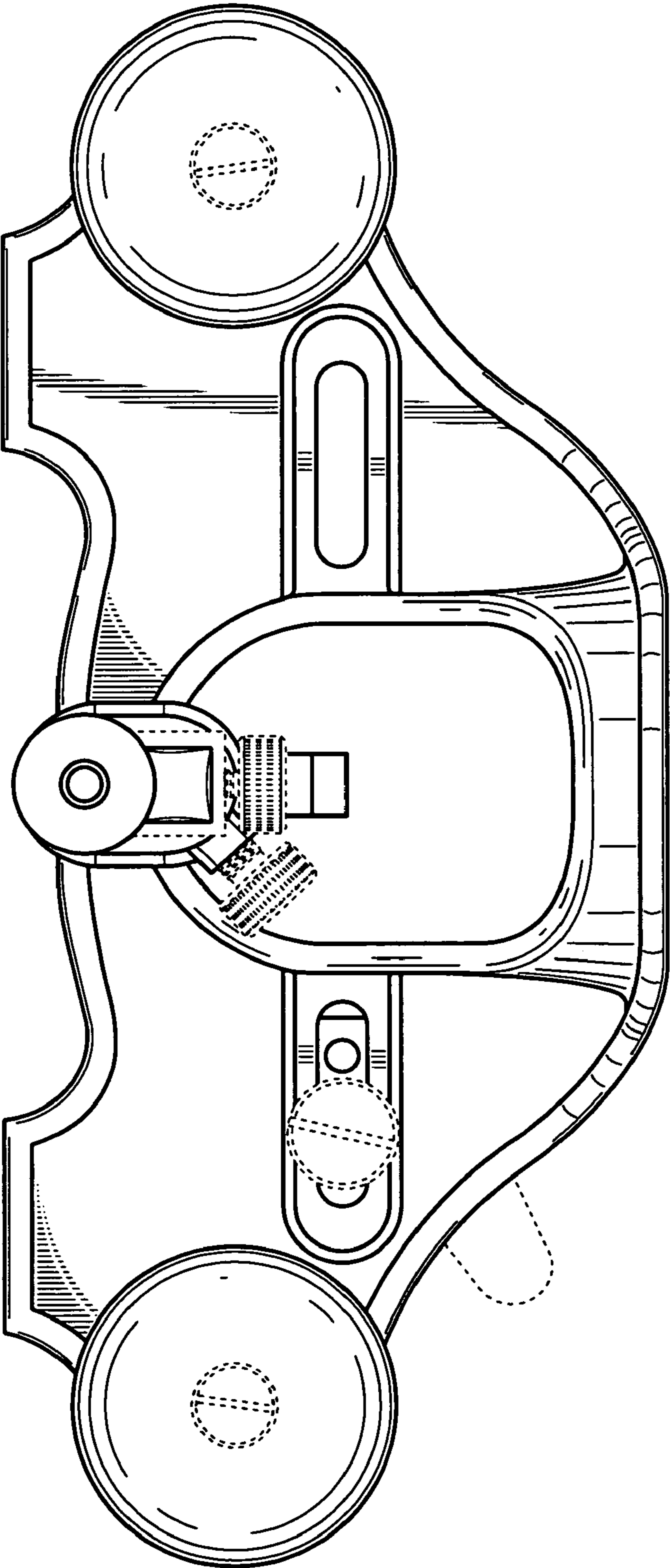


Fig. 6

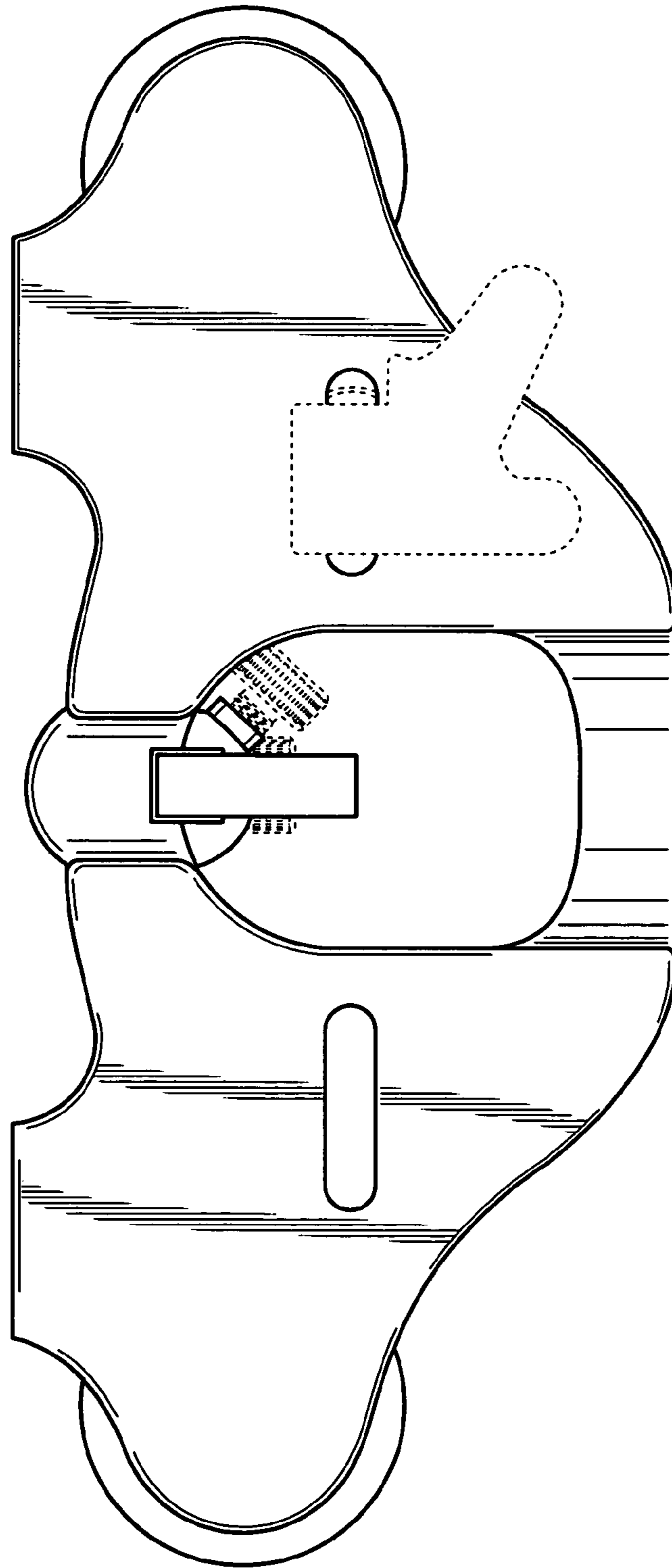


Fig. 7