



US00D618532S

(12) **United States Design Patent**
Wu

(10) **Patent No.:** **US D618,532 S**
(45) **Date of Patent:** **** Jun. 29, 2010**

- (54) **KNIFE SHARPENER HOLDER**
- (75) Inventor: **Shih-Piao Wu**, Lu Kang Town (TW)
- (73) Assignee: **Jiin Haur Industrial Co., Ltd.**, Lu Kang Town (TW)
- (**) Term: **14 Years**
- (21) Appl. No.: **29/342,336**
- (22) Filed: **Aug. 23, 2009**

- (51) **LOC (9) Cl.** **08-05**
- (52) **U.S. Cl.** **D8/71; D8/93; D8/90**
- (58) **Field of Classification Search** D8/71,
D8/90, 91, 92, 93, 94; 76/82, 86, 88; 254/552,
254/553, 555, 558

See application file for complete search history.

(56) **References Cited**

U.S. PATENT DOCUMENTS

- D541,615 S * 5/2007 Wu D8/93
- 2008/0214095 A1* 9/2008 Dovel et al. 76/82

* cited by examiner

Primary Examiner—Antoine D Davis

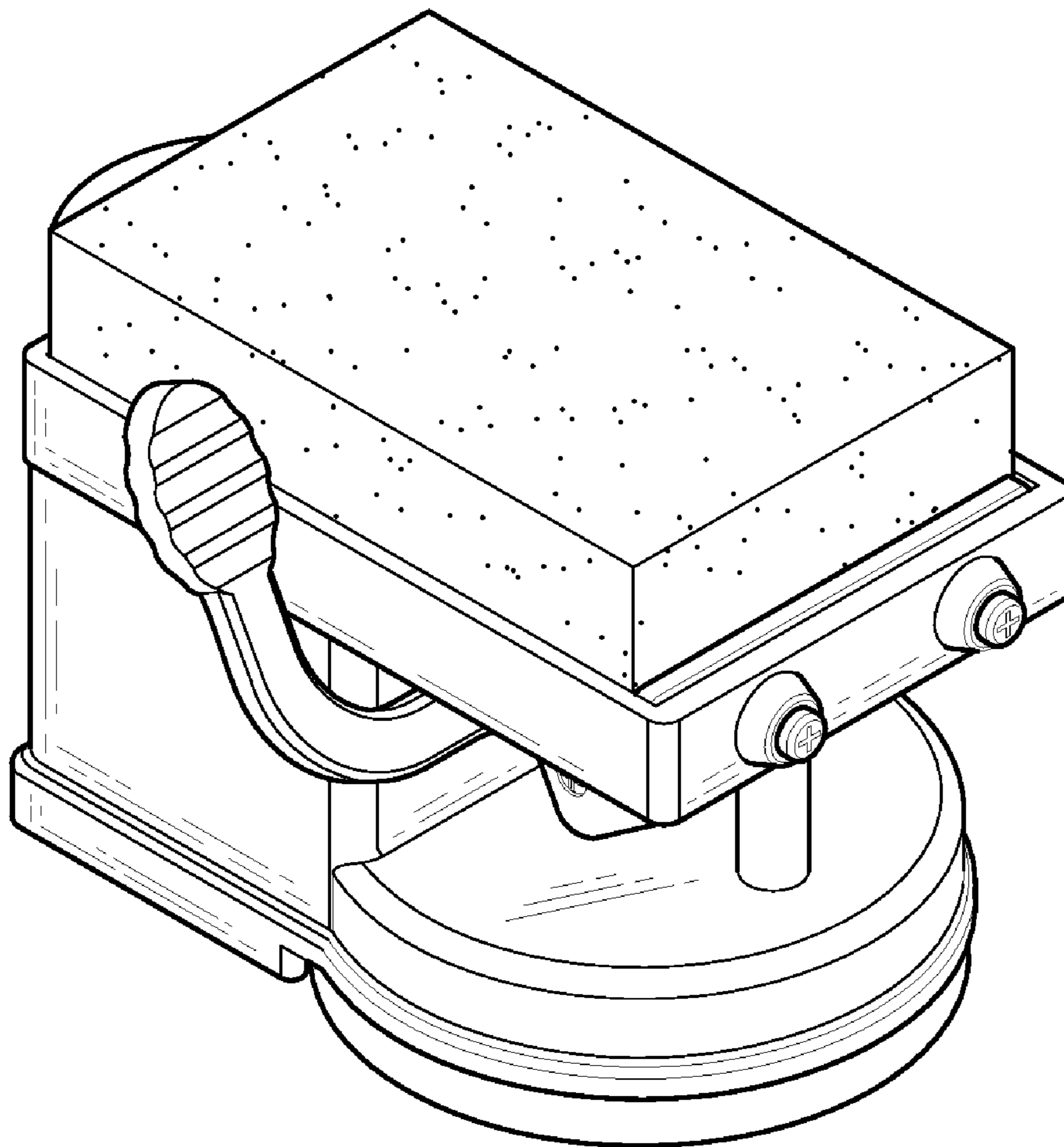
(57) **CLAIM**

The ornamental design for a knife sharpener holder, as shown and described.

DESCRIPTION

FIG. 1 is a perspective view of a knife sharpener holder showing my new design;
 FIG. 2 is a front view of the embodiment shown in FIG. 1;
 FIG. 3 is a rear view of the embodiment shown in FIG. 1;
 FIG. 4 is a left side view of the embodiment shown in FIG. 1;
 FIG. 5 is a right side view of the embodiment shown in FIG. 1;
 FIG. 6 is a top view of the embodiment shown in FIG. 1; and,
 FIG. 7 is a bottom view of the embodiment shown in FIG. 1.
 The broken lines in FIGS. 1-7 are for illustrative purposes only and form no part of the claimed design.

1 Claim, 4 Drawing Sheets



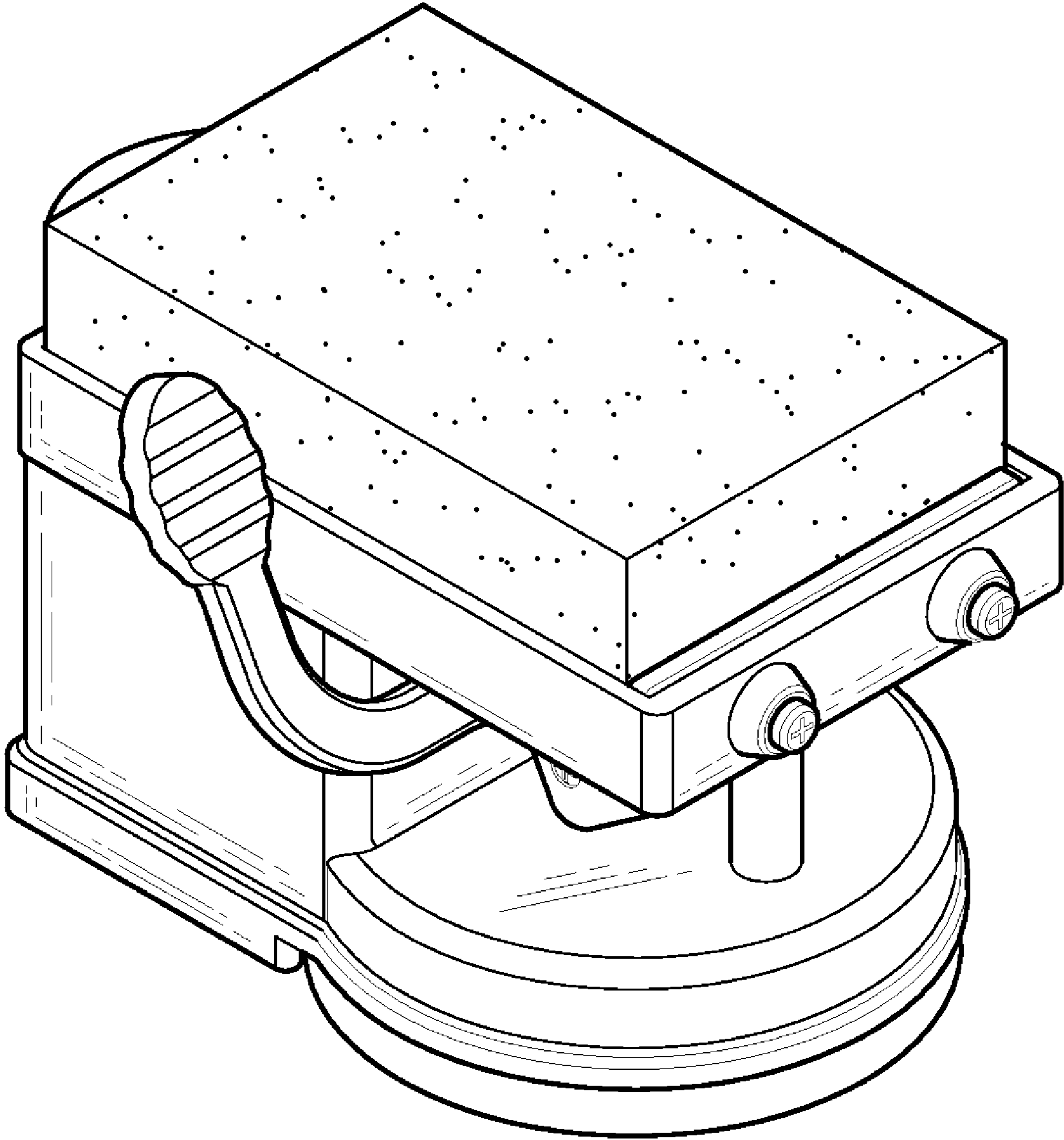


FIG. 1

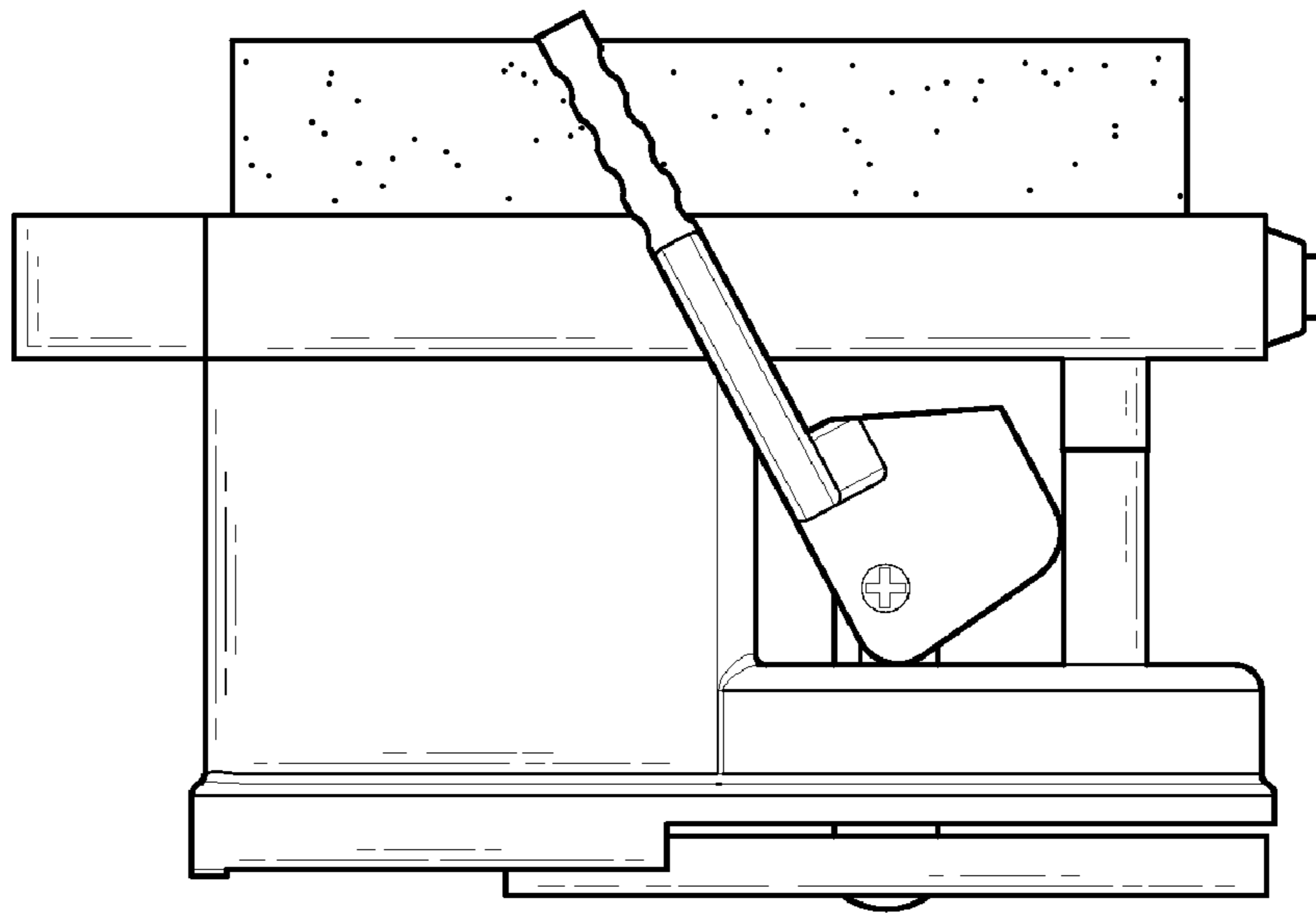


FIG. 2

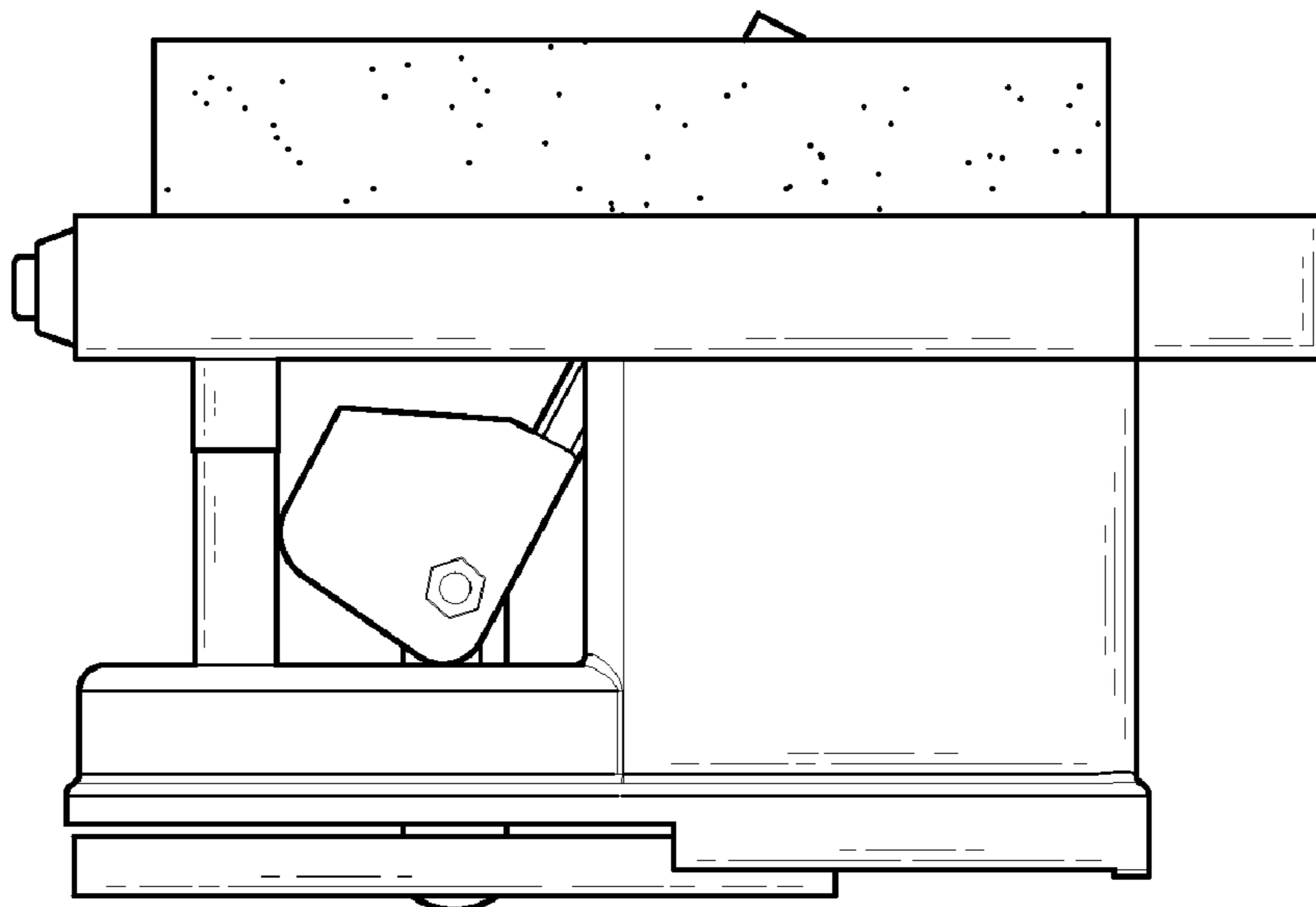


FIG. 3

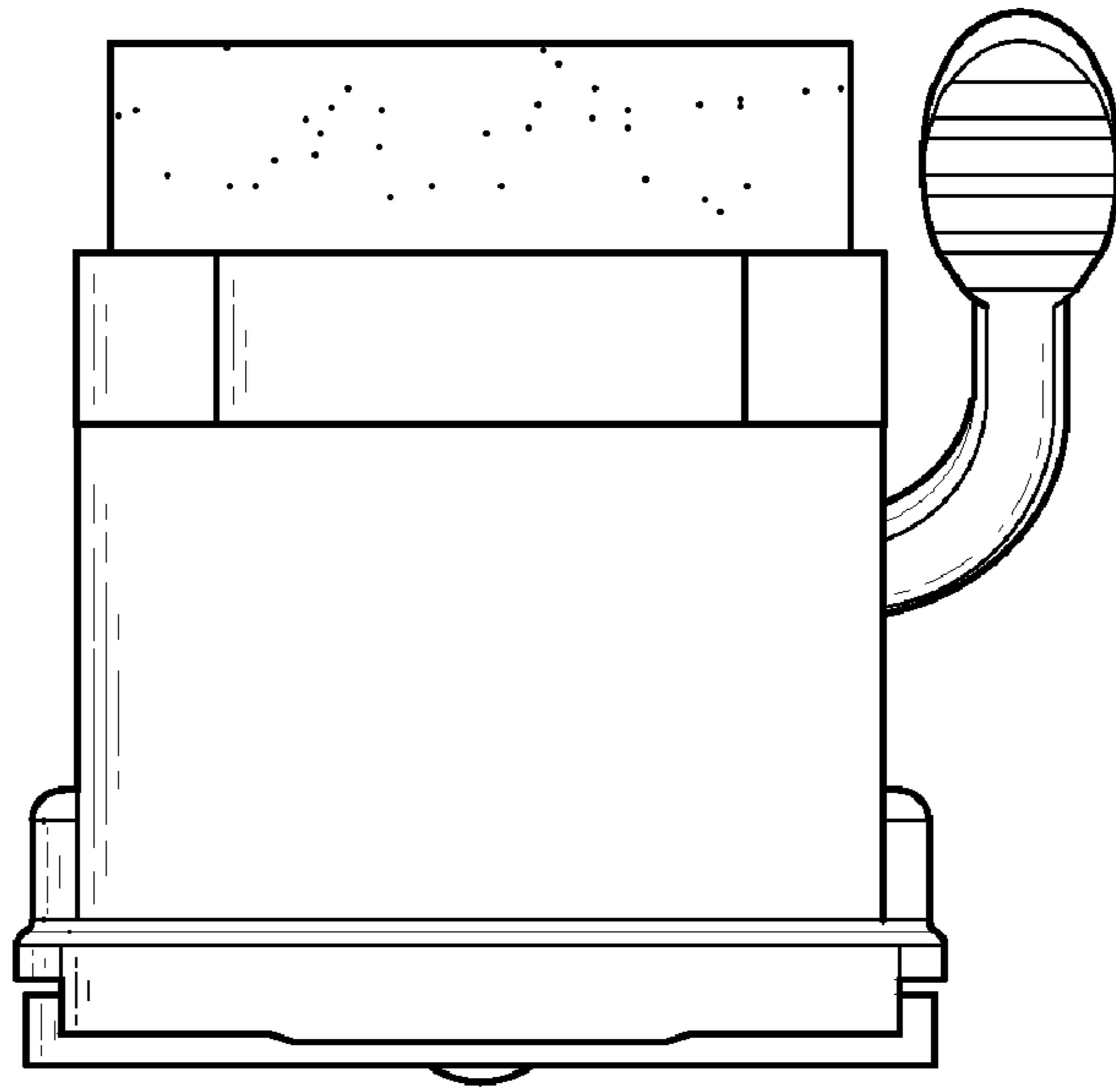


FIG. 4

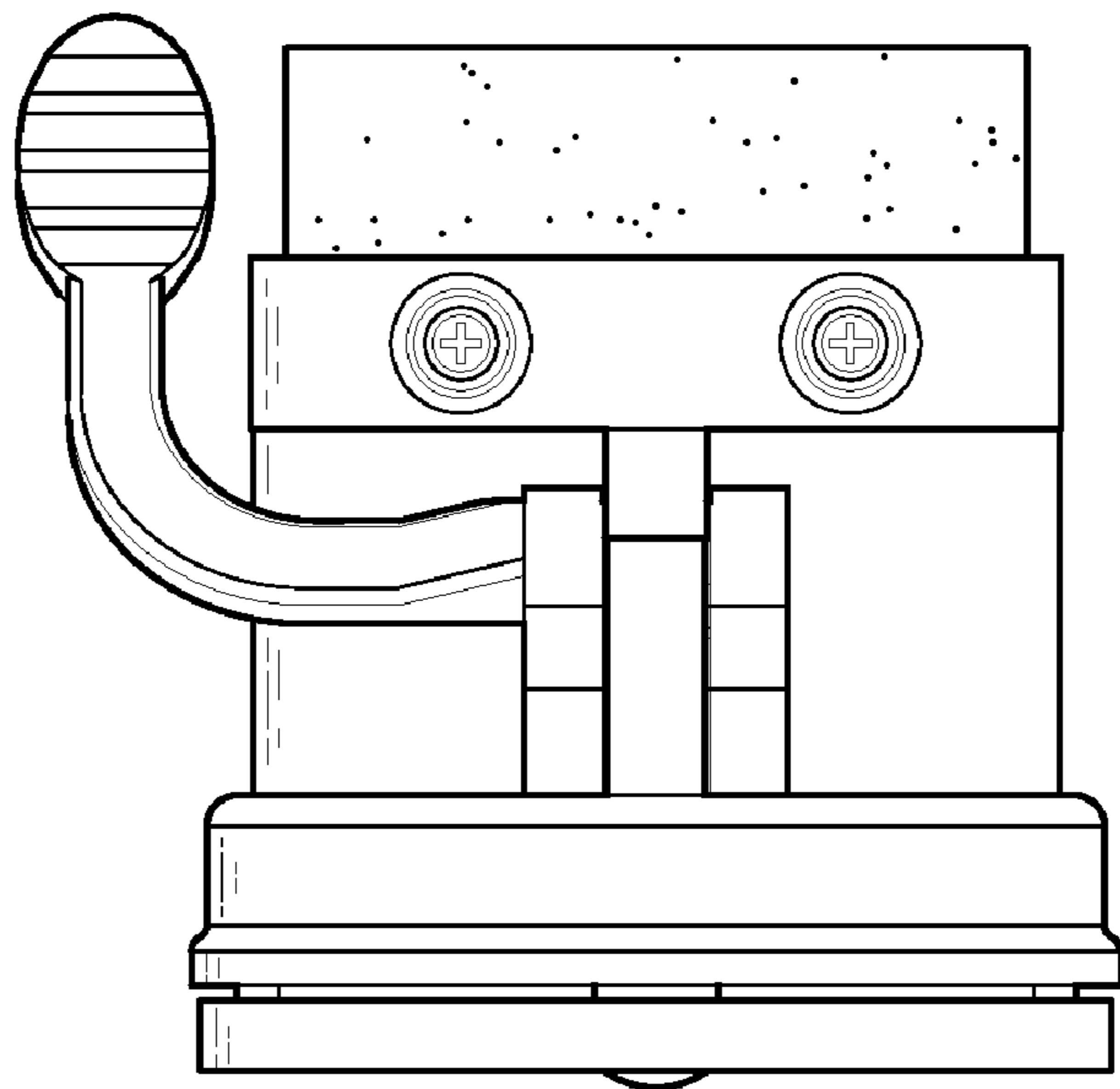


FIG. 5

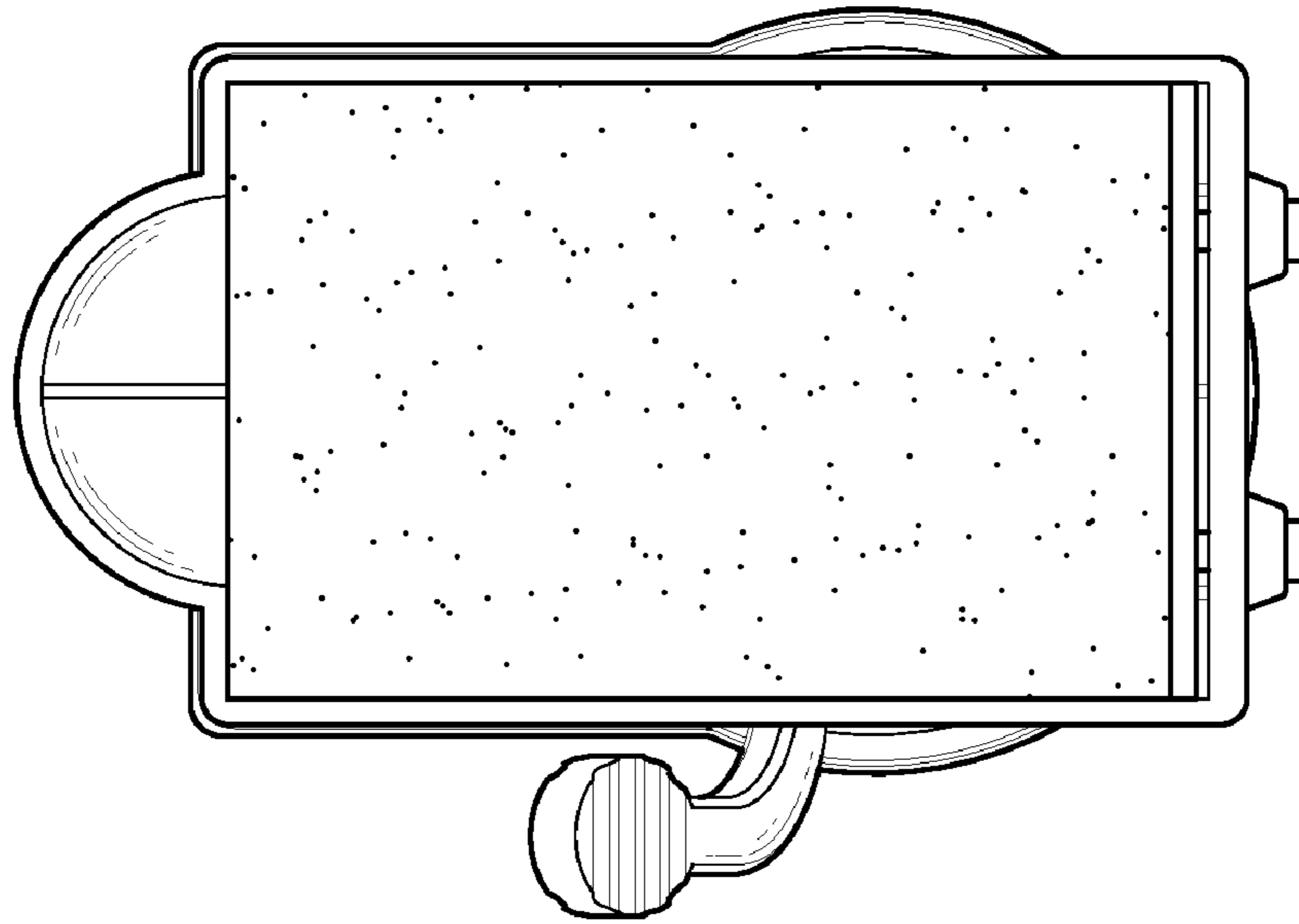


FIG. 6

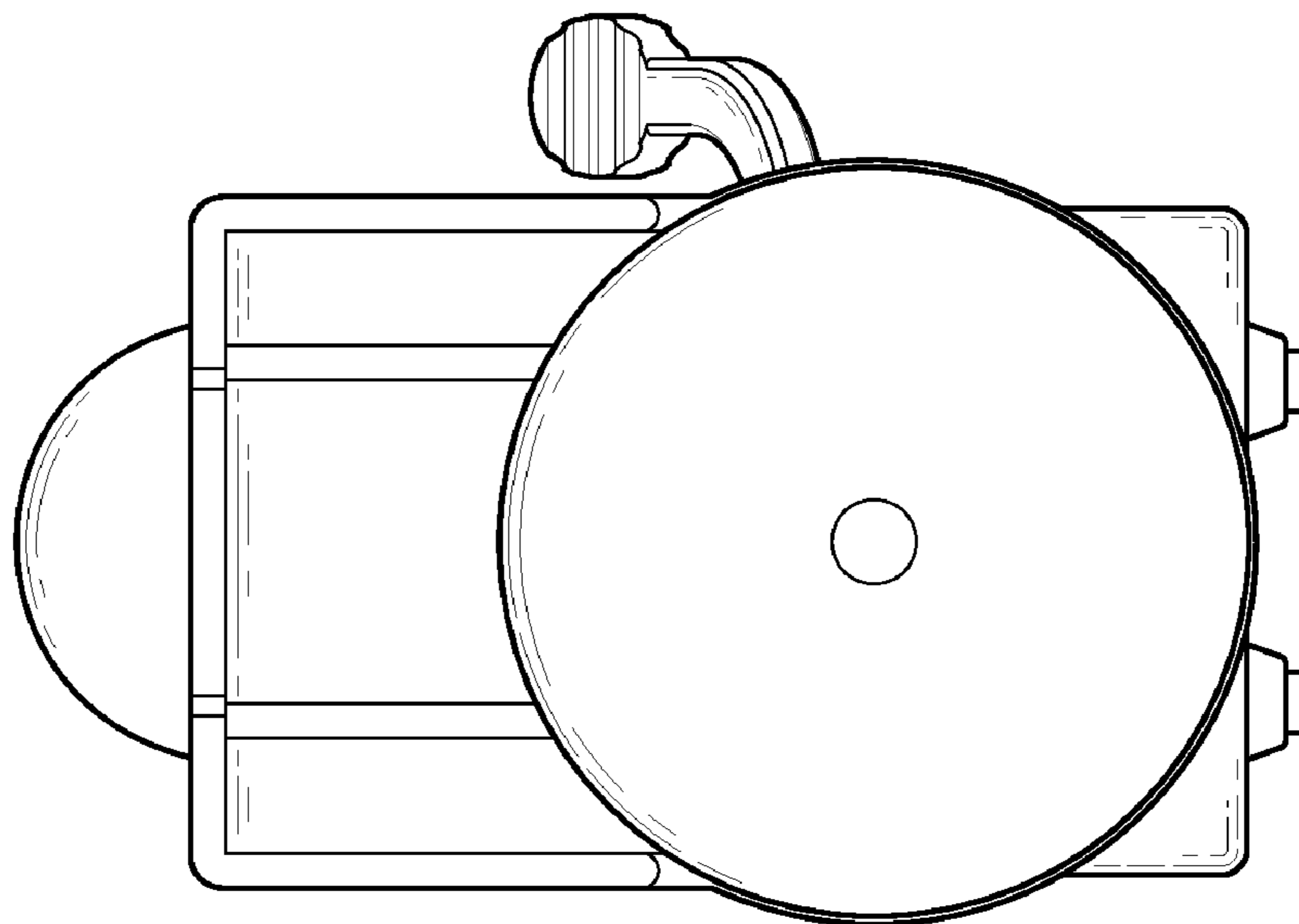


FIG. 7