



US00D618529S

(12) **United States Design Patent**
Stirm

(10) **Patent No.:** **US D618,529 S**
(45) **Date of Patent:** **** Jun. 29, 2010**

(54) **HAMMER DRILL**

(75) Inventor: **Michael Stirm**, Oberursel (DE)

(73) Assignee: **Black & Decker Inc.**, Newark, DE (US)

(**) Term: **14 Years**

(21) Appl. No.: **29/339,793**

(22) Filed: **Jul. 8, 2009**

(30) **Foreign Application Priority Data**

Jan. 8, 2009 (EM) 001067268

(51) **LOC (9) Cl.** **08-04**

(52) **U.S. Cl.** **D8/69**

(58) **Field of Classification Search** D8/61-70;
81/57.11, 429, 454-456, 469, 489; 173/13,
173/46, 104, 114, 167-173, 178, 201, 211,
173/213, 214, 217, 198; 227/8, 113, 114,
227/120, 130, 136, 142; 310/50; 408/20,
408/35, 117, 124, 125, 234, 241 R, 58, 67;
451/358; 7/158, 165

See application file for complete search history.

(56) **References Cited**

U.S. PATENT DOCUMENTS

D447,032 S * 8/2001 Schoen et al. D8/67
6,609,860 B2 * 8/2003 Wanek et al. 408/14
7,055,620 B2 * 6/2006 Nadig et al. 173/2
D524,626 S * 7/2006 Stirm D8/69

D527,601 S * 9/2006 Stirm D8/69
D540,642 S * 4/2007 Stirm D8/69
7,451,833 B2 * 11/2008 Hahn 173/104
D592,028 S * 5/2009 Taniguchi et al. D8/69
D594,304 S * 6/2009 Aglassinger D8/69
2009/0008111 A1 * 1/2009 Liebert et al. 173/18
2009/0014195 A1 * 1/2009 Lauterwald 173/104
2009/0188688 A1 * 7/2009 Gumpert et al. 173/104
2009/0301746 A1 * 12/2009 Robieu 173/217

* cited by examiner

Primary Examiner—Antoine D Davis

(74) *Attorney, Agent, or Firm*—Kofi Schulterbrandt; Scott B. Markow; Adan Ayala

(57) **CLAIM**

The ornamental design for a hammer drill, as shown and described.

DESCRIPTION

FIG. 1 is a left/front perspective view of a hammer drill showing my new design.

FIG. 2 is a left side view thereof.

FIG. 3 is a right side view thereof.

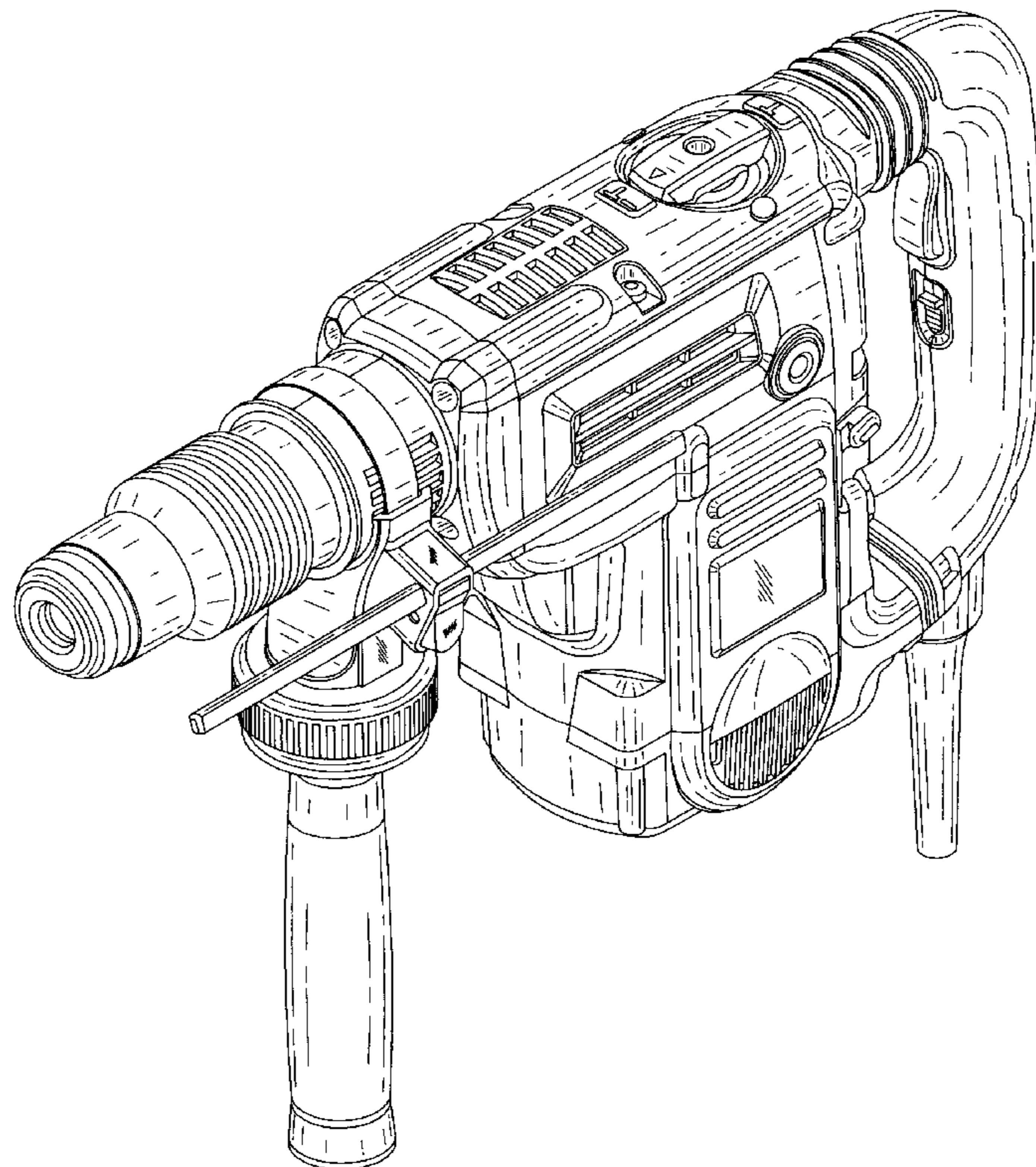
FIG. 4 is a front view thereof.

FIG. 5 is a rear view thereof.

FIG. 6 is a top view thereof; and,

FIG. 7 is a bottom view thereof.

1 Claim, 5 Drawing Sheets



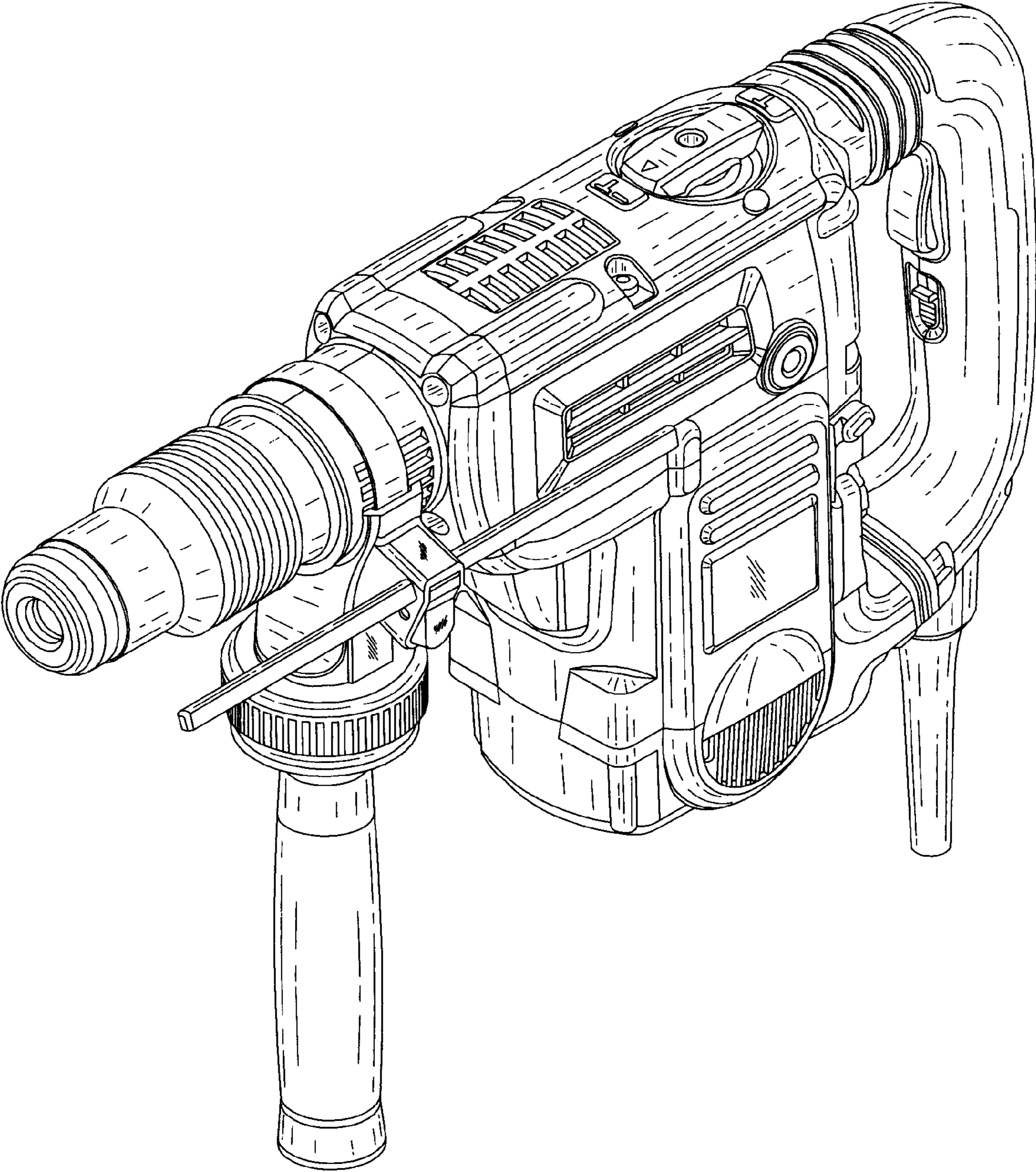


FIG. 1

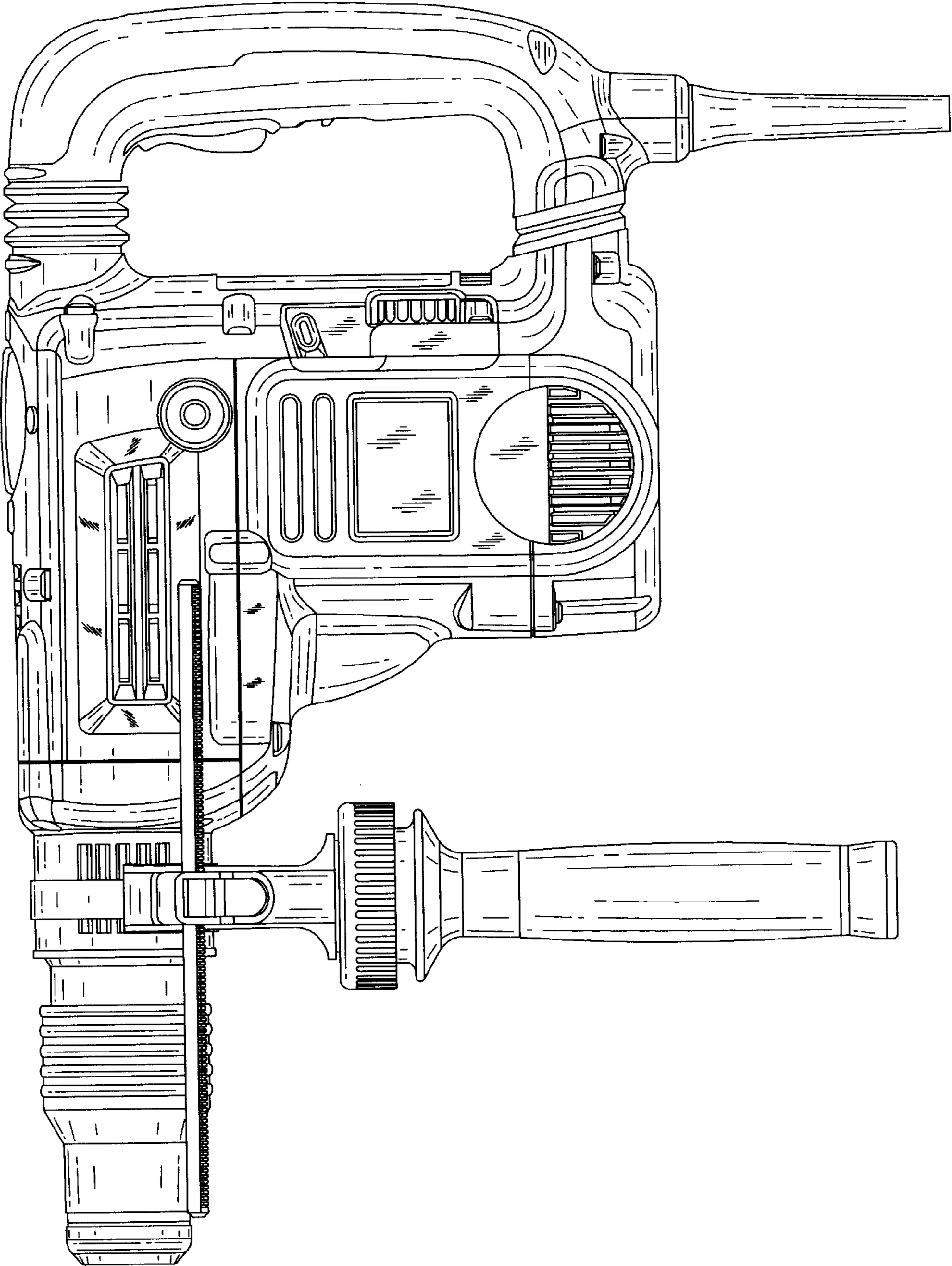


FIG.2

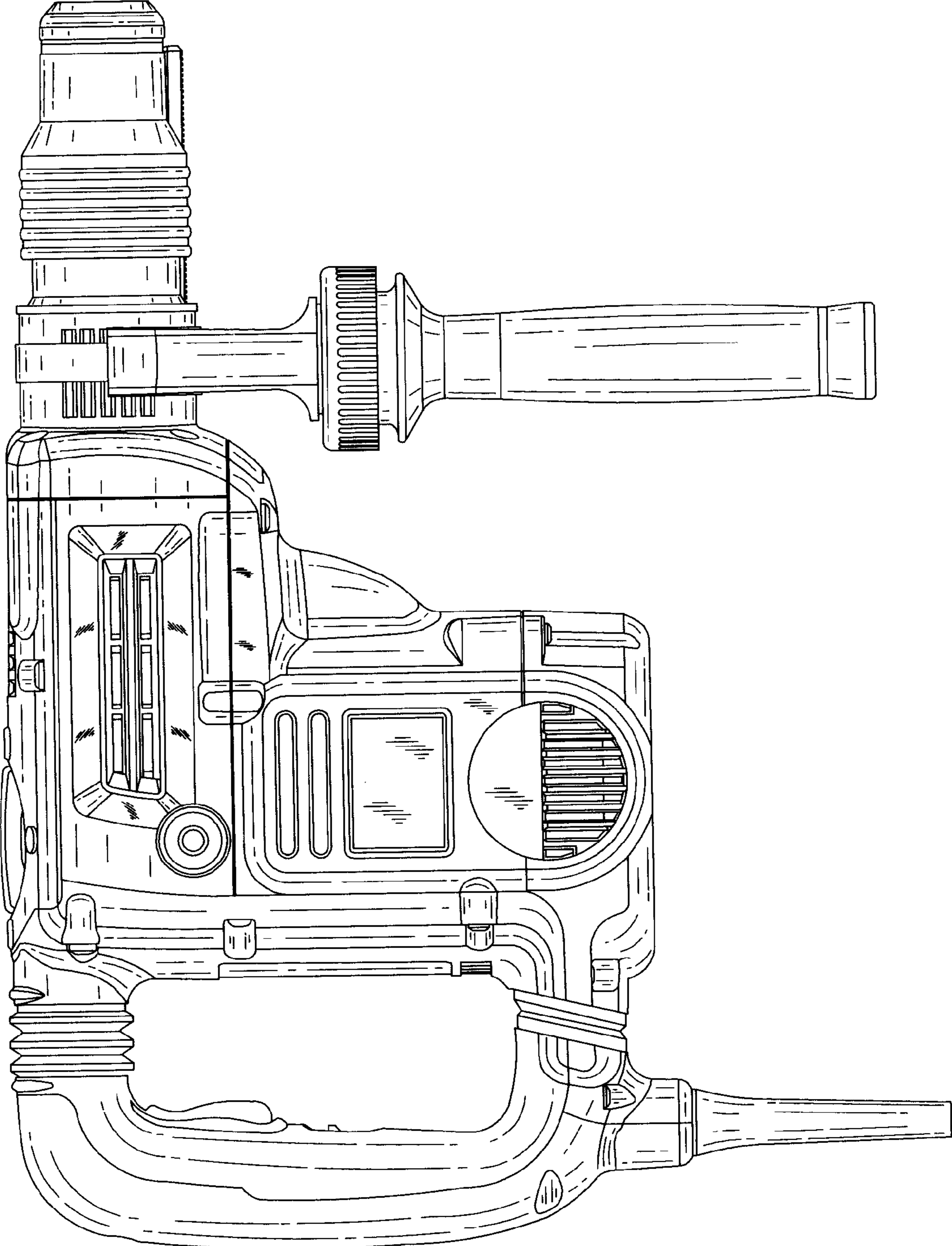


FIG.3

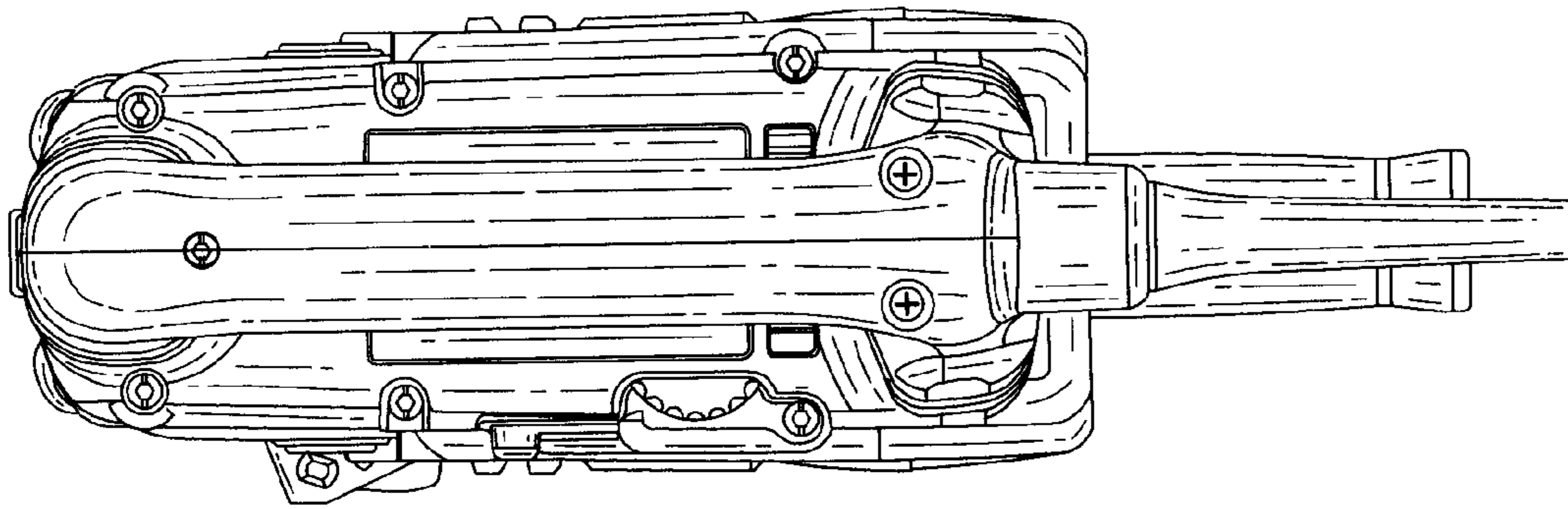


FIG.5

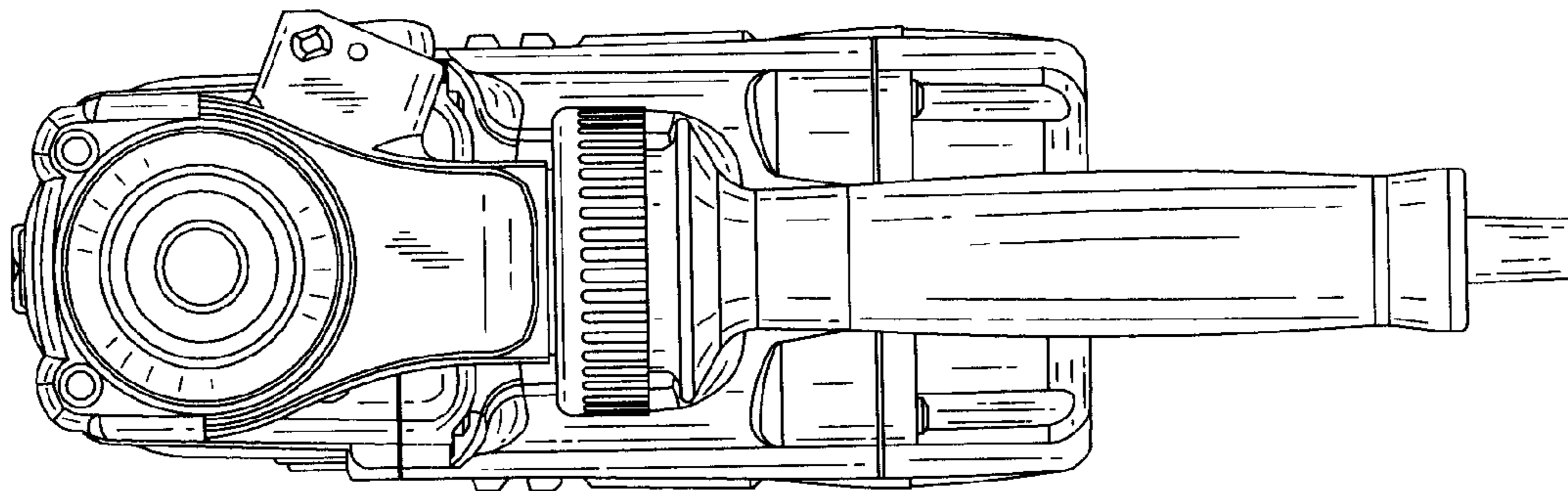


FIG.4

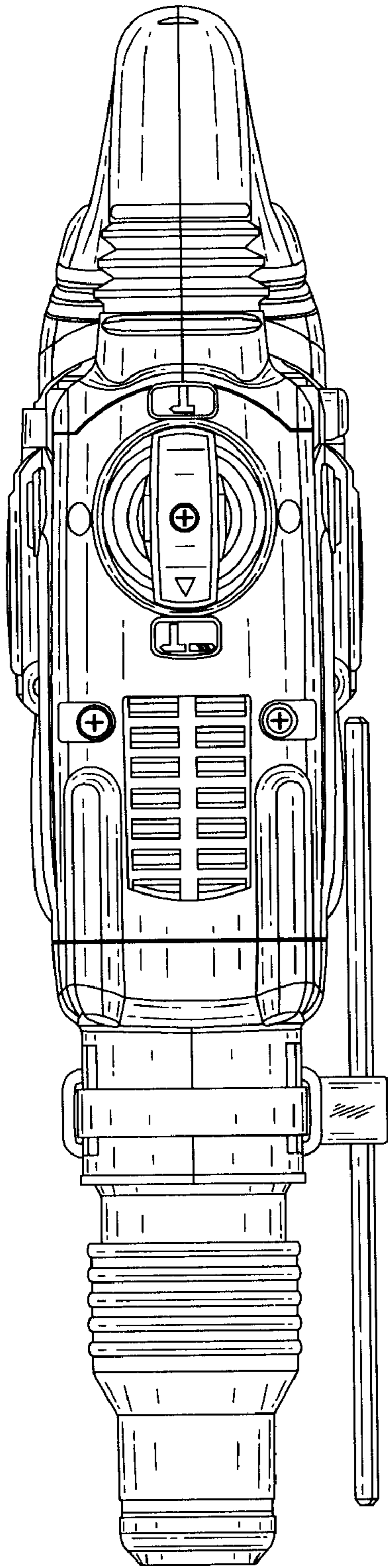


FIG. 6

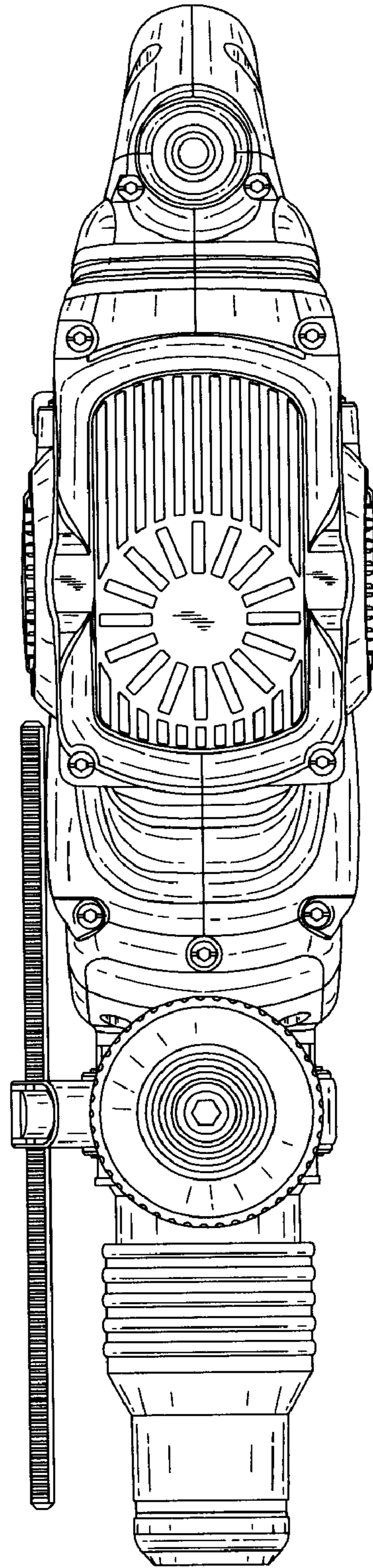


FIG. 7