



US00D618525S

(12) **United States Design Patent**
Garnero et al.

(10) **Patent No.:** **US D618,525 S**
(45) **Date of Patent:** **** Jun. 29, 2010**

(54) **STANDING HOLDER FOR BOTTLES AND GLASSES**

| | | | | |
|----------------|---------|----------|-------|--------|
| D166,528 S * | 4/1952 | Cole | | D6/458 |
| 4,334,623 A * | 6/1982 | Geary | | 211/78 |
| 5,074,421 A * | 12/1991 | Coulter | | 211/78 |
| D342,191 S * | 12/1993 | Cronk | | D7/706 |
| 6,796,441 B2 * | 9/2004 | Tremblay | | 211/74 |
| D512,282 S * | 12/2005 | Martin | | D7/707 |

(75) Inventors: **Elena Garnero**, Turin (IT); **Sara Pezzetti**, Turin (IT)

(73) Assignee: **G.A.P. Design S.N.C. di Garnero Elena e Pezzetti Sara**, Turin (IT)

(**) Term: **14 Years**

* cited by examiner

(21) Appl. No.: **29/344,740**

Primary Examiner—Terry A Wallace

(22) Filed: **Oct. 2, 2009**

(74) *Attorney, Agent, or Firm*—Sughrue Mion, PLLC

(30) **Foreign Application Priority Data**

Apr. 6, 2009 (IT) DP2009O0007

(57) **CLAIM**

The ornamental design for a standing holder for bottles and glasses, as shown and described.

(51) **LOC (9) Cl.** **06-04**

(52) **U.S. Cl.** **D7/706**

(58) **Field of Classification Search** D7/701–708,
D7/600.1–600.4; D6/405, 457, 462, 449,
D6/467, 469, 411, 458, 455, 466; 211/71.01,
211/74, 77, 78, 85.26, 70.6, 70.7, 70.8
See application file for complete search history.

DESCRIPTION

FIG. 1 is a perspective view of a standing holder for bottles and glasses showing our design;

FIG. 2 is a front view of the standing holder of FIG. 1;

FIG. 3 is a side view of the standing holder of FIG. 1; and,

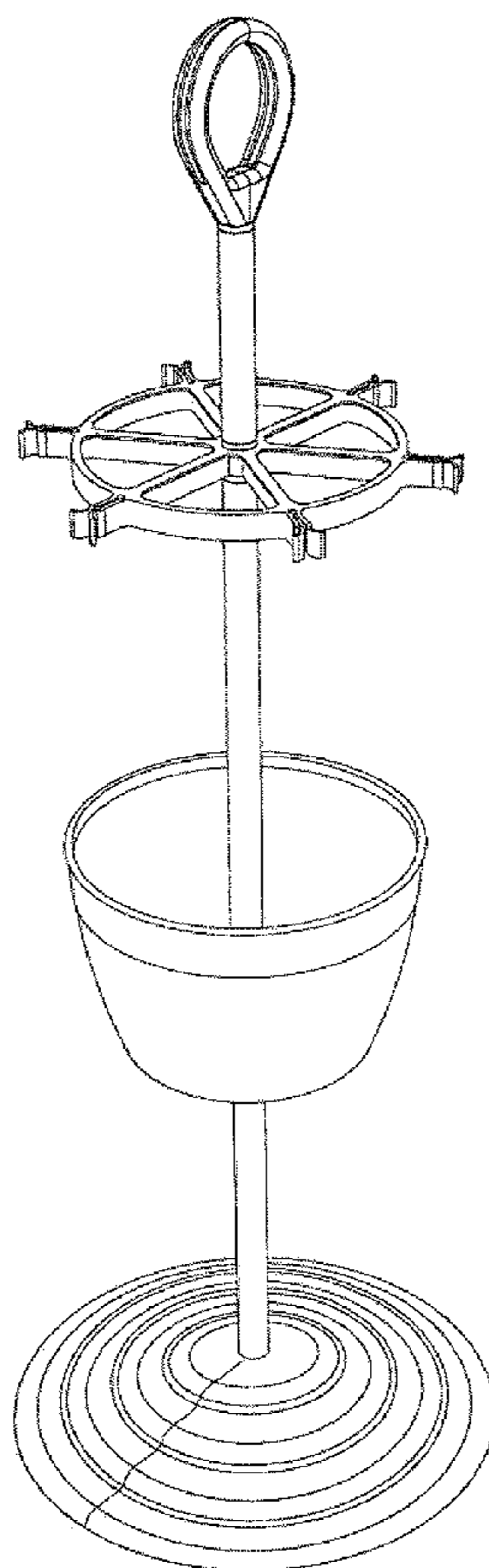
FIG. 4 is a top view of the standing holder of FIG. 1.

(56) **References Cited**

U.S. PATENT DOCUMENTS

1,735,051 A * 11/1929 Christ 211/77

1 Claim, 4 Drawing Sheets



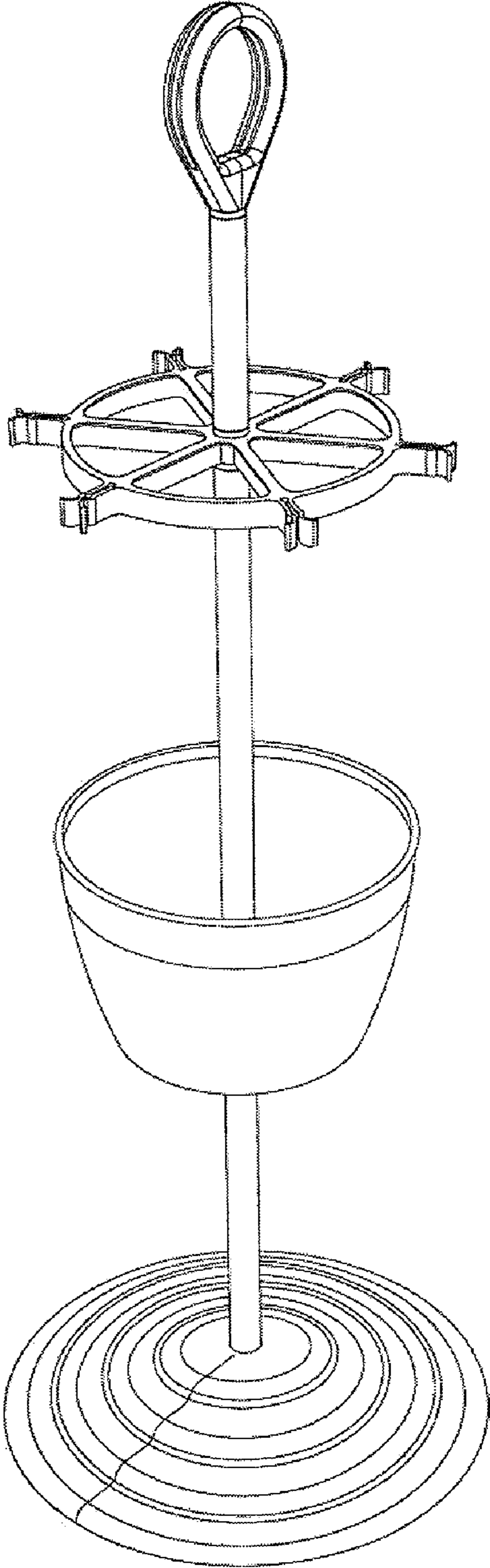


Figure 1

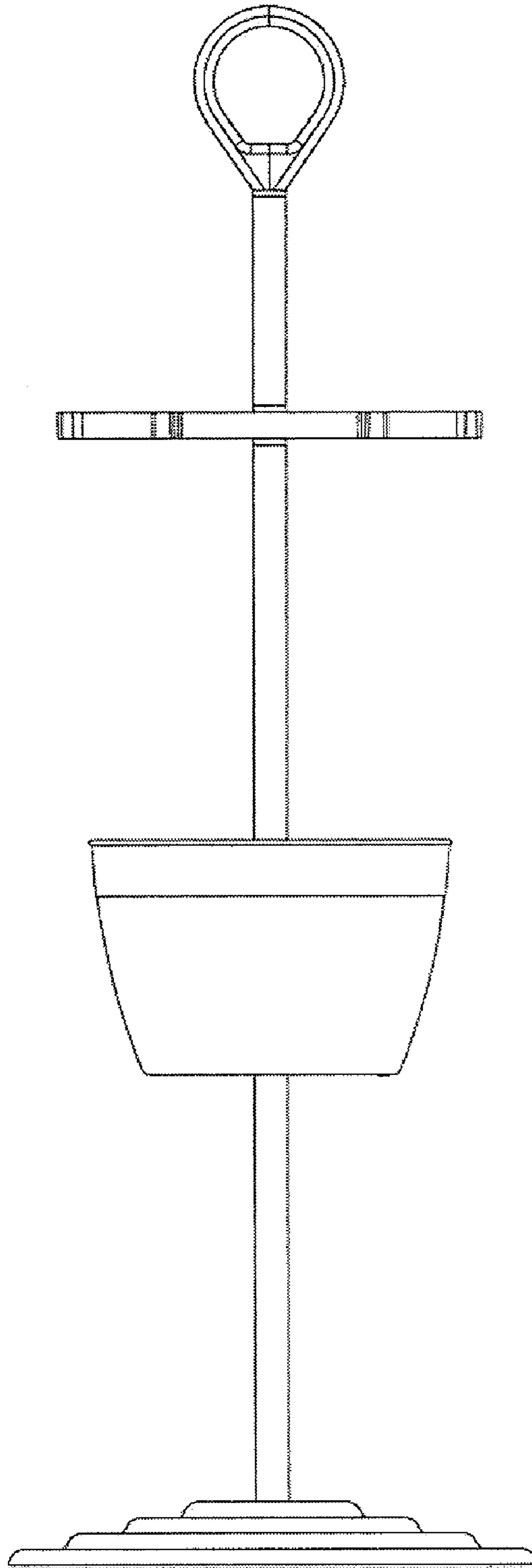


Figure 2

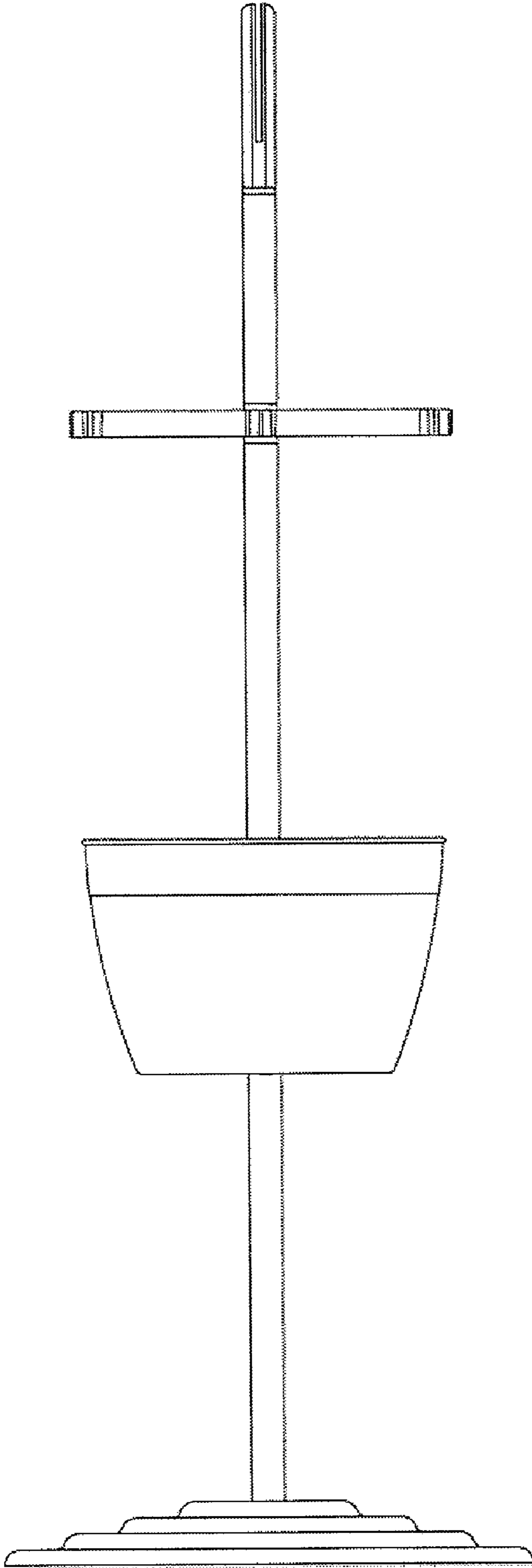


Figure 3

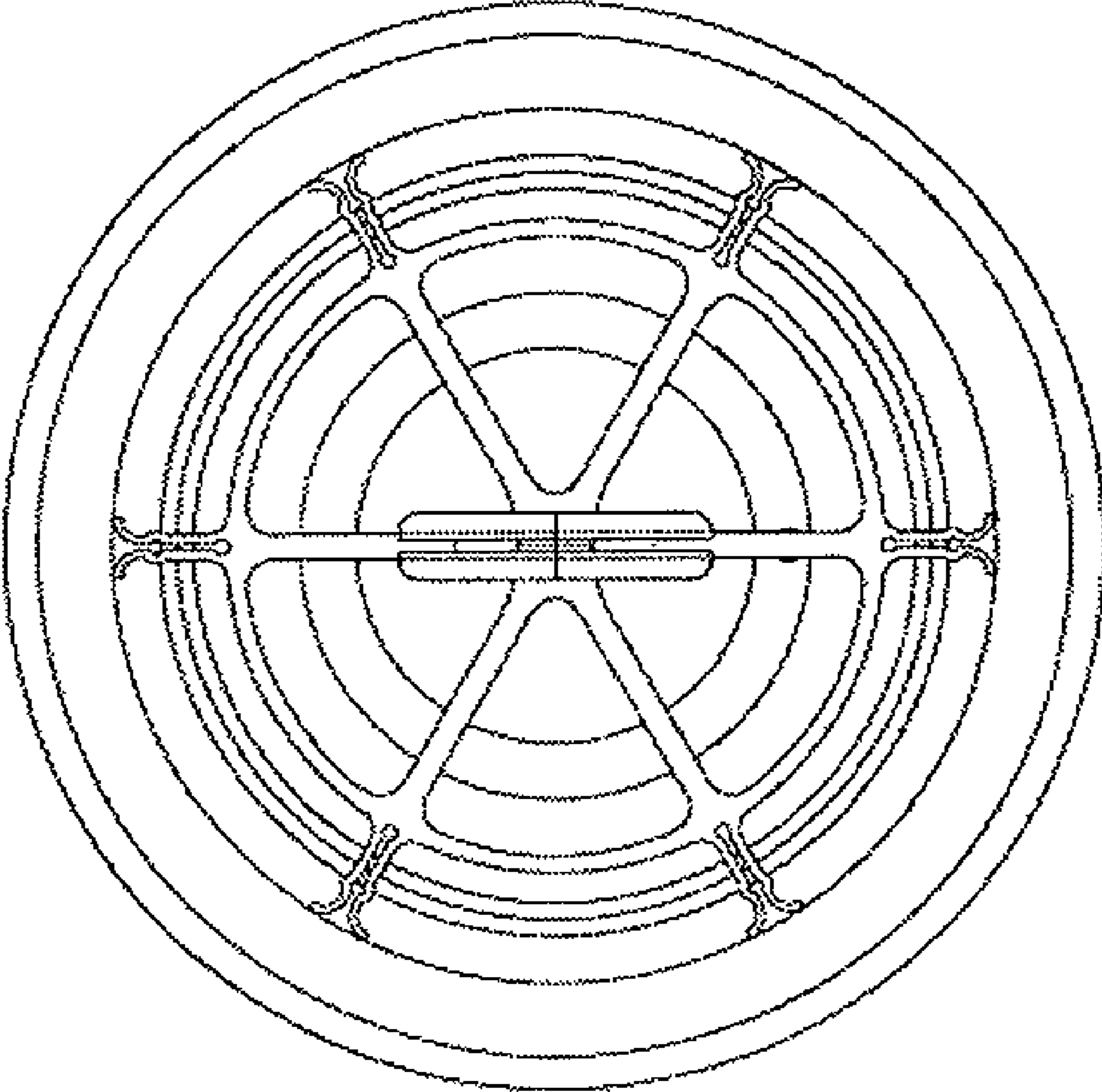


Figure 4