



US00D618524S

(12) **United States Design Patent**
Nesil et al.

(10) **Patent No.:** **US D618,524 S**
(45) **Date of Patent:** **** Jun. 29, 2010**

(54) **MOUNTING FOR GLASSES, DISHWARE AND THE LIKE**

(76) Inventors: **Pelin Nesil**, Yellowstone 32, Purmerend (NL) 1448 XY; **Richard Keukelaar**, Yellowstone 32, Purmerend (NL) 1448 XY

(**) Term: **14 Years**

(21) Appl. No.: **29/312,022**

(22) Filed: **Sep. 25, 2008**

(51) **LOC (9) Cl.** **07-06**

(52) **U.S. Cl.** **D7/704**

(58) **Field of Classification Search** D7/619.1, D7/620, 704, 701, 707, 708; 211/41.2, 57.1, 211/94.01, 189, 59.2, 66, 74; 248/220.41, 248/303, 312.1; D6/566, 511, 513, 514
See application file for complete search history.

(56) **References Cited**

U.S. PATENT DOCUMENTS

3,154,196	A *	10/1964	Loska, Jr. et al.	211/41.2
3,481,482	A *	12/1969	Wilkens	248/220.41
3,568,850	A *	3/1971	Rogers	211/41.2
4,742,923	A *	5/1988	Calvert	211/66
4,863,131	A *	9/1989	Kinseley	248/220.41
5,711,436	A *	1/1998	Moeller et al.	211/94.02
6,394,288	B1 *	5/2002	Hartwall	248/312.1
7,147,115	B2 *	12/2006	Perkins et al.	211/94.01
D538,608	S *	3/2007	Goodman et al.	D7/704

* cited by examiner

Primary Examiner—Terry A Wallace
(74) *Attorney, Agent, or Firm*—James Creighton Wray; Meera P. Narasimhan

(57) **CLAIM**

The ornamental design for a mounting for glasses, dishware and the like, as shown and described.

DESCRIPTION

FIG. 1 is a front, top and right side perspective view of the mounting for glasses, dishware and the like.

FIG. 2 is a left side elevation of the mounting shown in FIG. 1.

FIG. 3 is a front elevation of the mounting shown in FIGS. 1 and 2.

FIG. 4 is a rear elevation of the mounting shown in FIGS. 1–3.

FIG. 5 is a front, top and right side perspective view of a mounting having side-by-side joinings of the mounting shown in FIGS. 1–4.

FIG. 6 is a left side elevation of the joinings of the mounting shown in FIG. 5.

FIG. 7 is a front elevation of the side-by-side joinings of the mounting shown in FIGS. 5 and 6; and,

FIG. 8 is a rear elevation of the side-by-side joinings of the mounting shown in FIGS. 5–7.

1 Claim, 2 Drawing Sheets

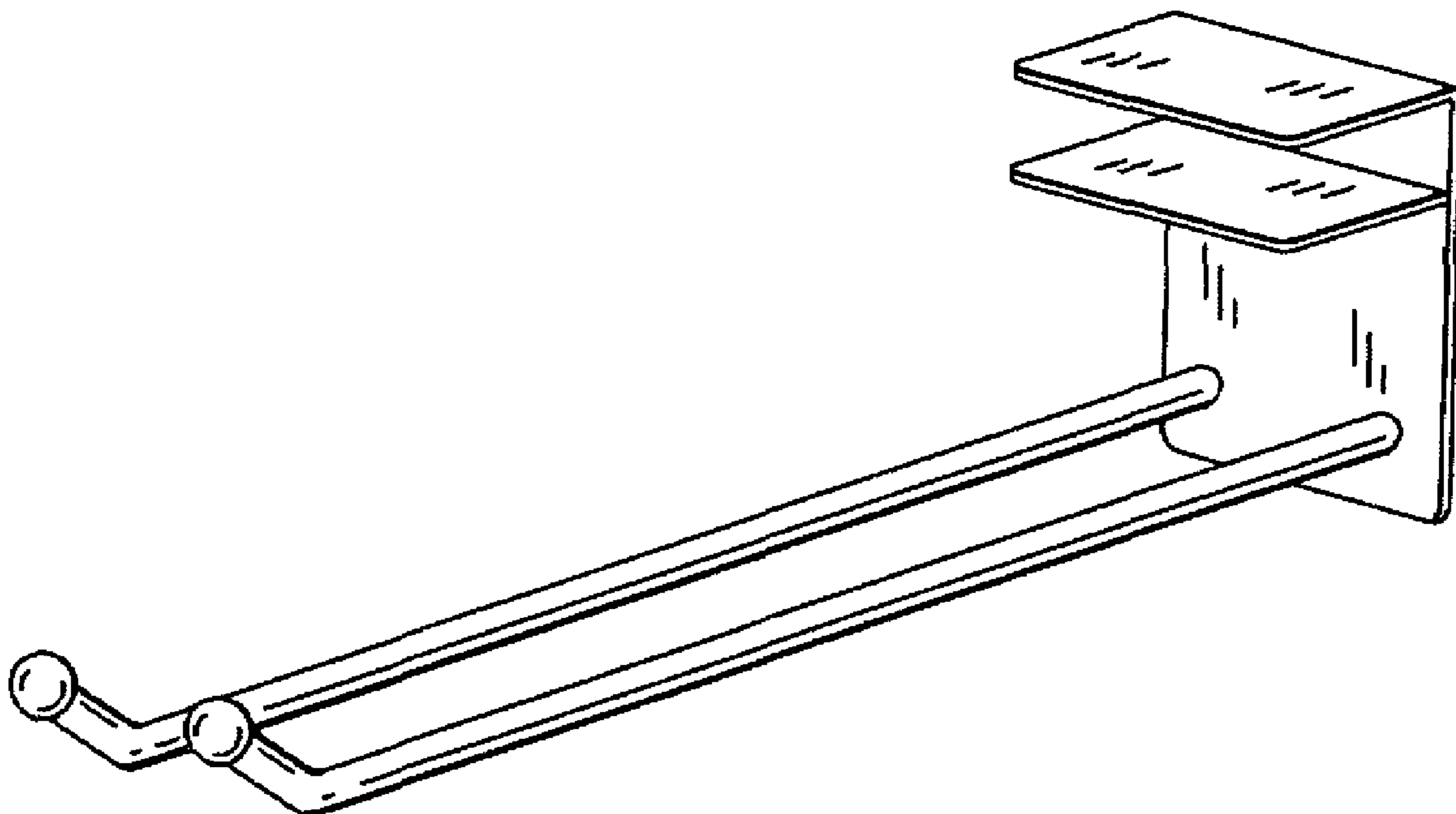


FIG. 1

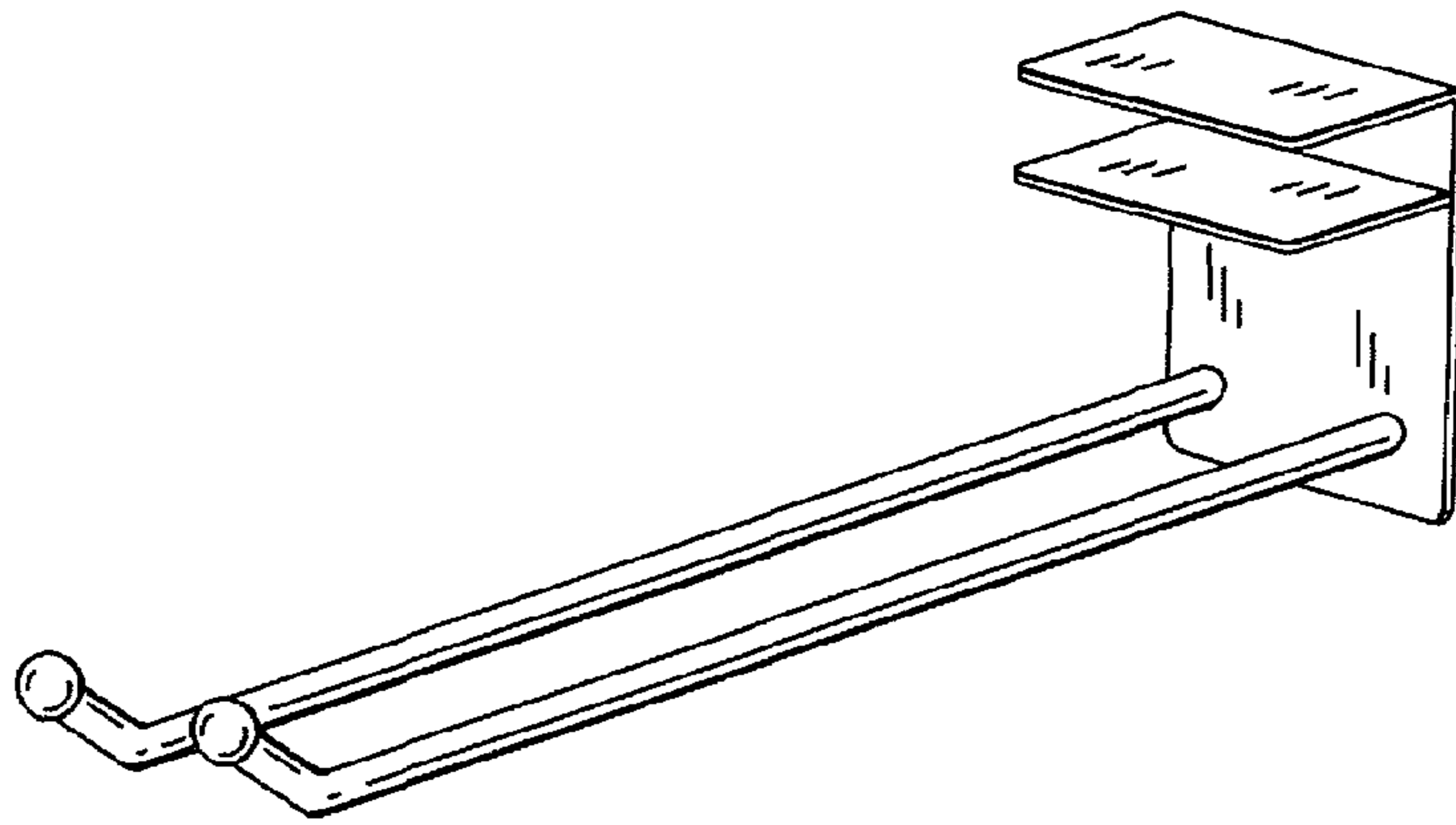


FIG. 2

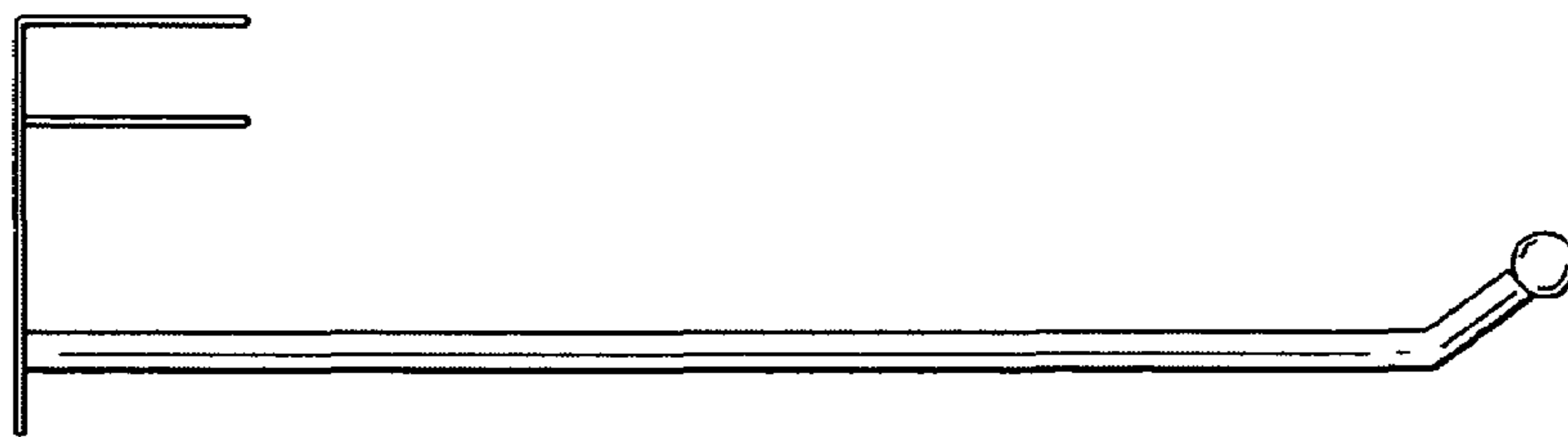


FIG. 3

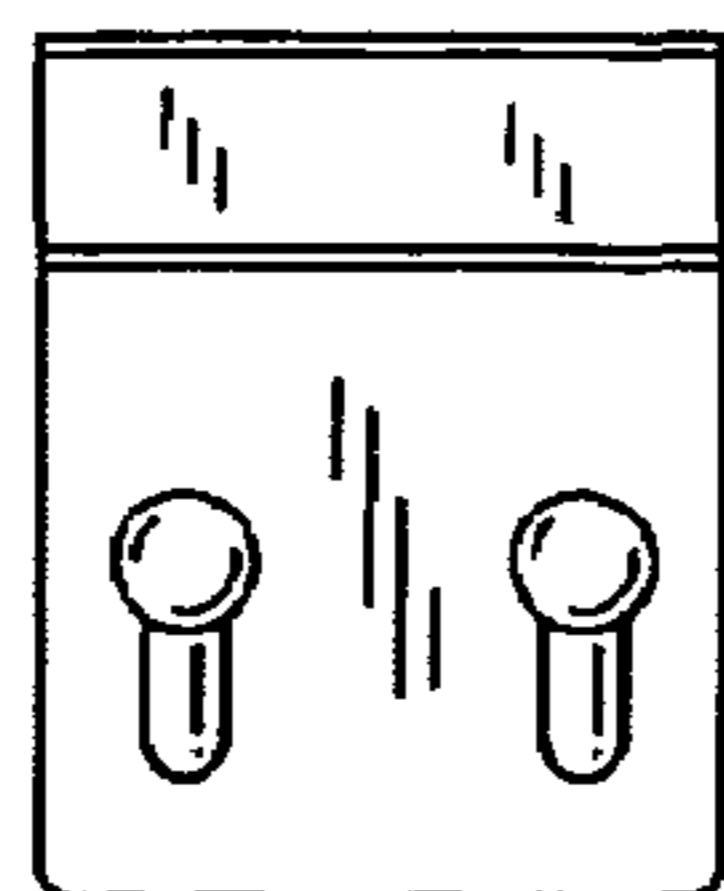


FIG. 4

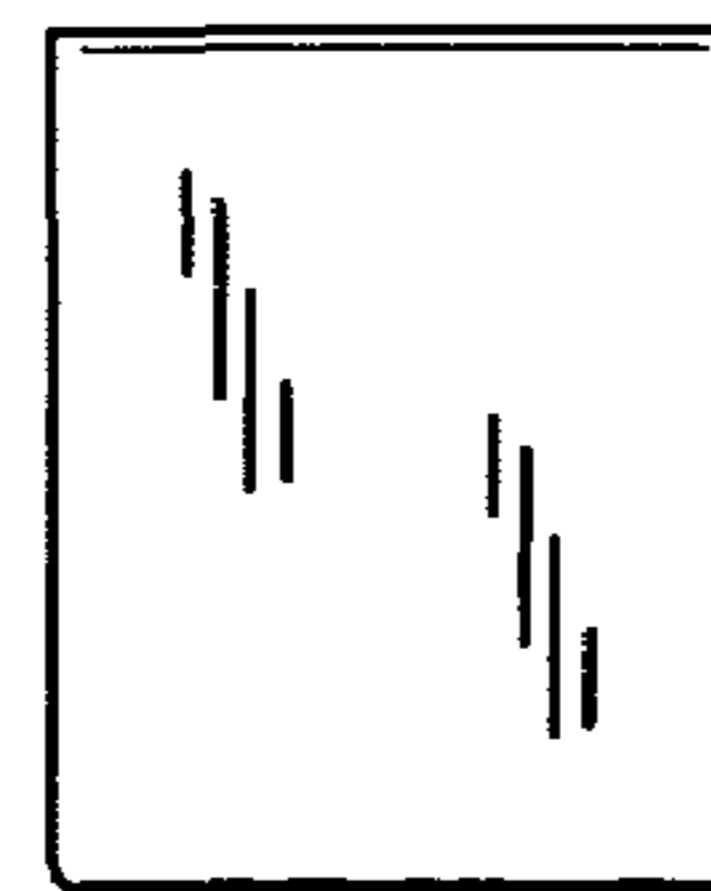


FIG. 5

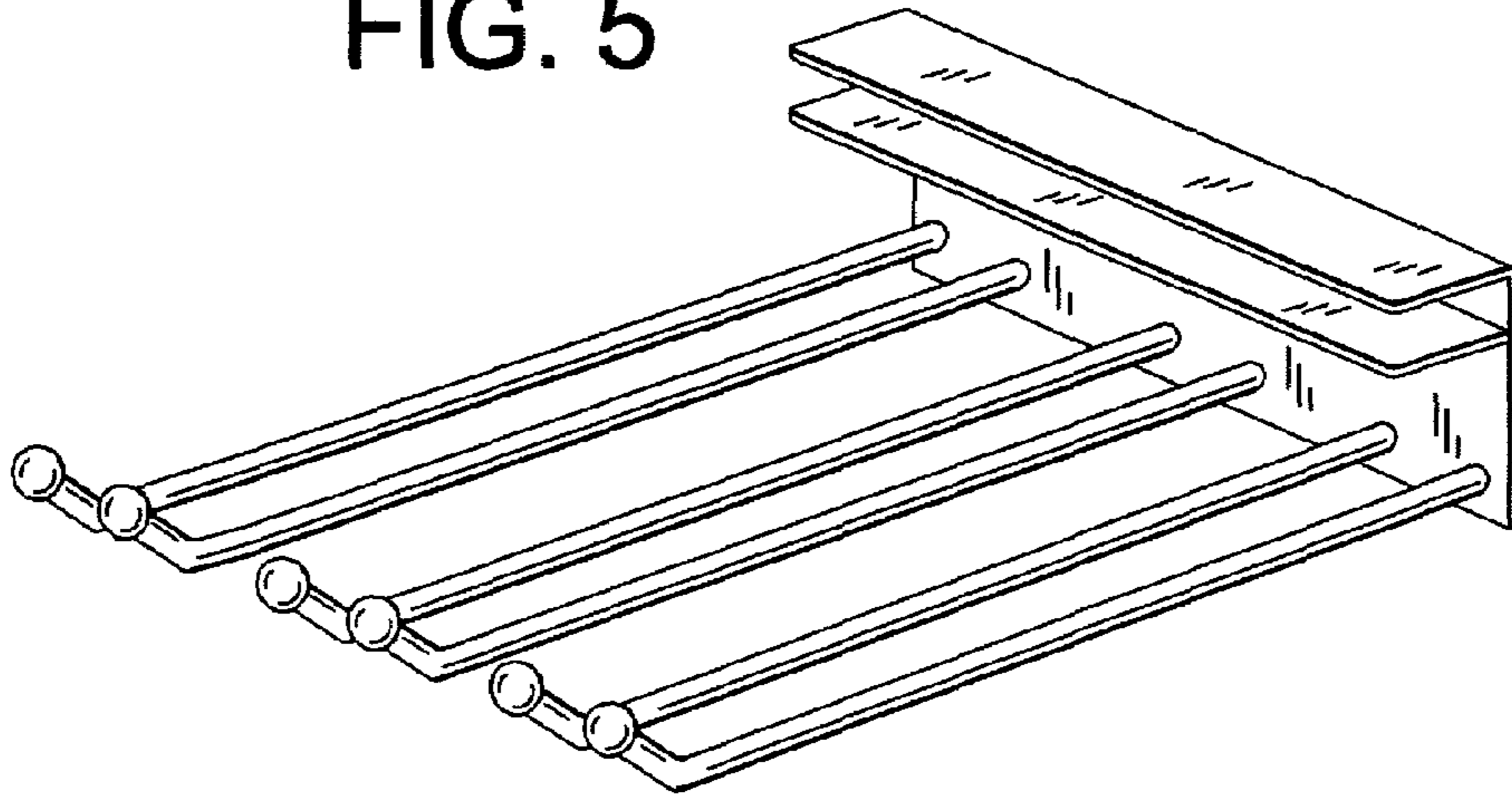


FIG. 6

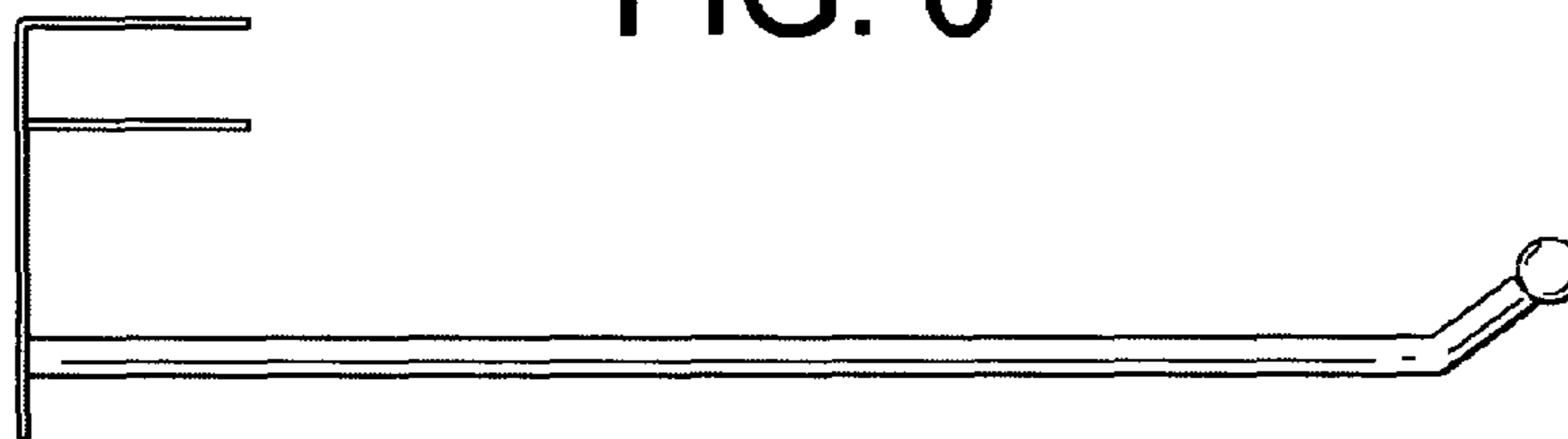


FIG. 7

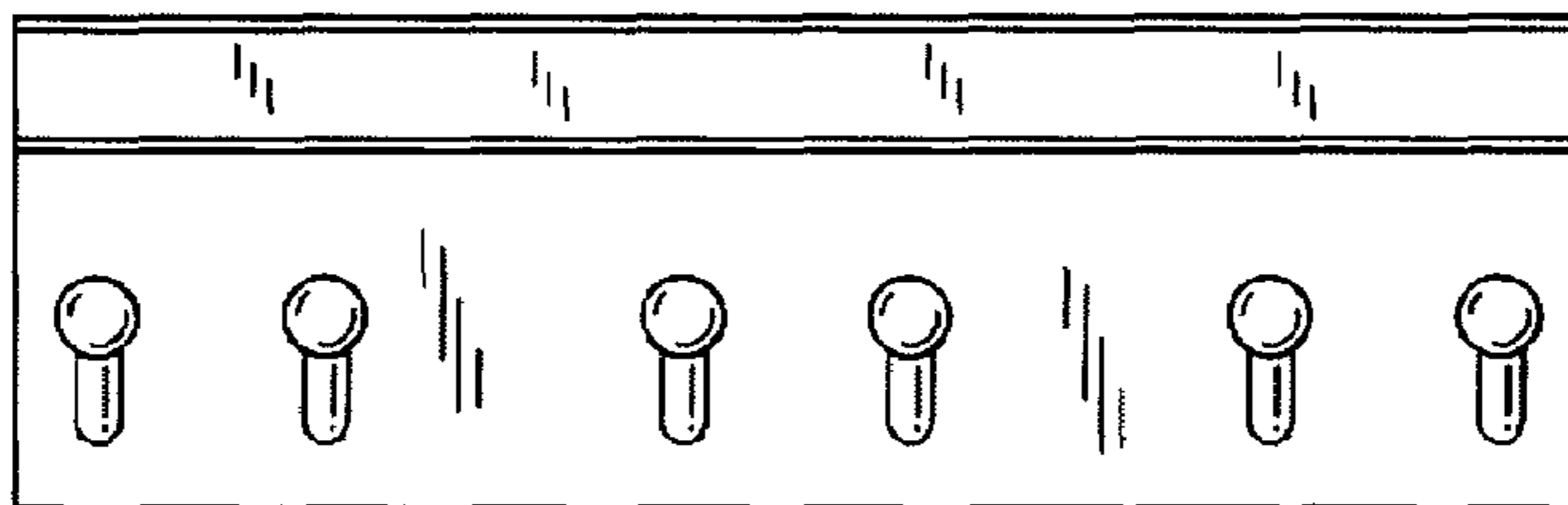


FIG. 8

