



US00D618520S

(12) **United States Design Patent**  
**Bodum**

(10) **Patent No.:** **US D618,520 S**  
(45) **Date of Patent:** **\*\* Jun. 29, 2010**

(54) **GARLIC PRESS**  
(75) Inventor: **Jorgen Bodum**, Meggen (CH)  
(73) Assignee: **Pi-Design AG**, Triengen (CH)  
(\*\*) Term: **14 Years**  
(21) Appl. No.: **29/346,398**  
(22) Filed: **Oct. 30, 2009**

(30) **Foreign Application Priority Data**  
Jun. 25, 2009 (WO) ..... DM/071 905

(51) **LOC (9) Cl.** ..... **07-04**  
(52) **U.S. Cl.** ..... **D7/686**  
(58) **Field of Classification Search** ..... D7/665-668,  
D7/680; 99/495, 506-511; 100/99, 104,  
100/110, 112, 116, 125, 126, 233, 234, 243,  
100/213; 241/95, 169.1, 169.2, 273.3  
See application file for complete search history.

(56) **References Cited**  
U.S. PATENT DOCUMENTS  
2,140,157 A 12/1938 Hoffman  
2,776,616 A \* 1/1957 Sarossy ..... 100/234  
4,197,611 A 4/1980 Bell et al.

5,101,720 A \* 4/1992 Bianchi ..... 100/99  
5,165,335 A \* 11/1992 Bianchi ..... 100/112  
5,463,941 A \* 11/1995 Gibson ..... 99/495  
D457,397 S \* 5/2002 Schafer ..... D7/666

\* cited by examiner  
*Primary Examiner*—Terry A Wallace  
(74) *Attorney, Agent, or Firm*—Sughrue Mion, PLLC

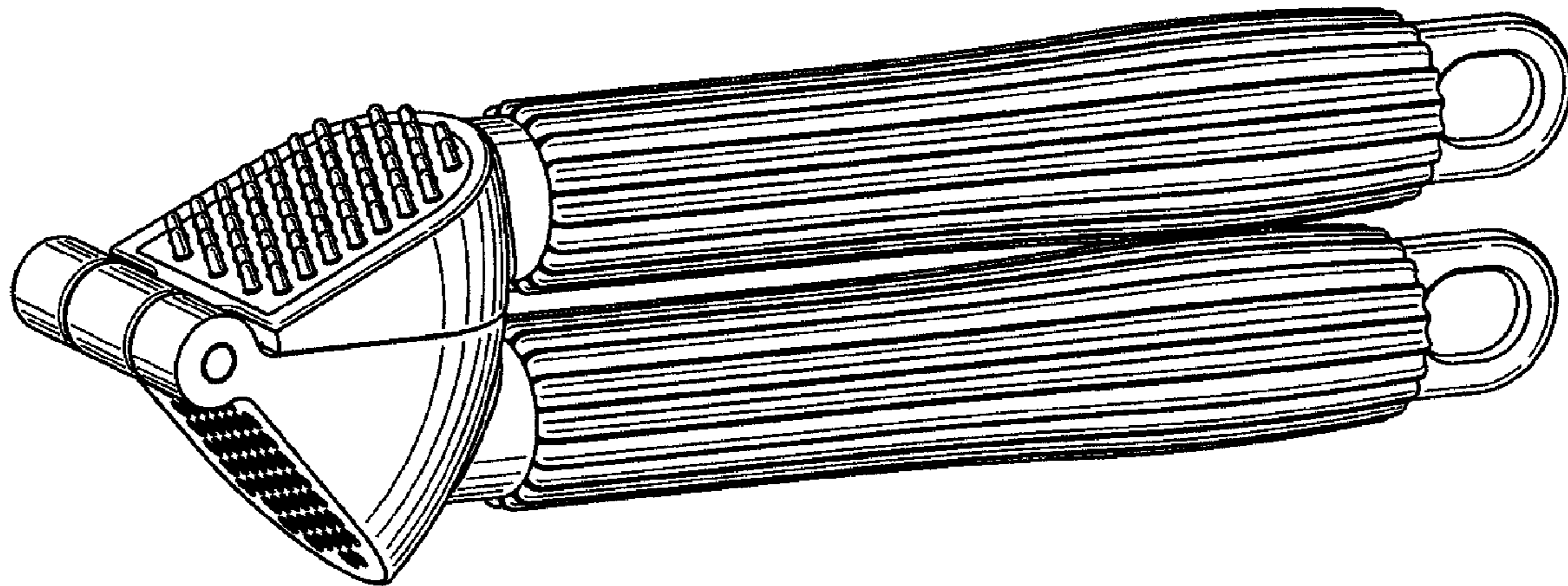
(57) **CLAIM**

The ornamental design for a garlic press, as shown and described.

**DESCRIPTION**

FIG. 1 is a perspective view of a garlic press showing my new design;  
FIG. 2 is a right side elevation view thereof  
FIG. 3 is a left side elevation view thereof;  
FIG. 4 is a front elevation view thereof;  
FIG. 5 is a rear elevation view thereof;  
FIG. 6 is a top view thereof;  
FIG. 7 is a bottom view thereof; and,  
FIG. 8 is a section view thereof.

**1 Claim, 8 Drawing Sheets**



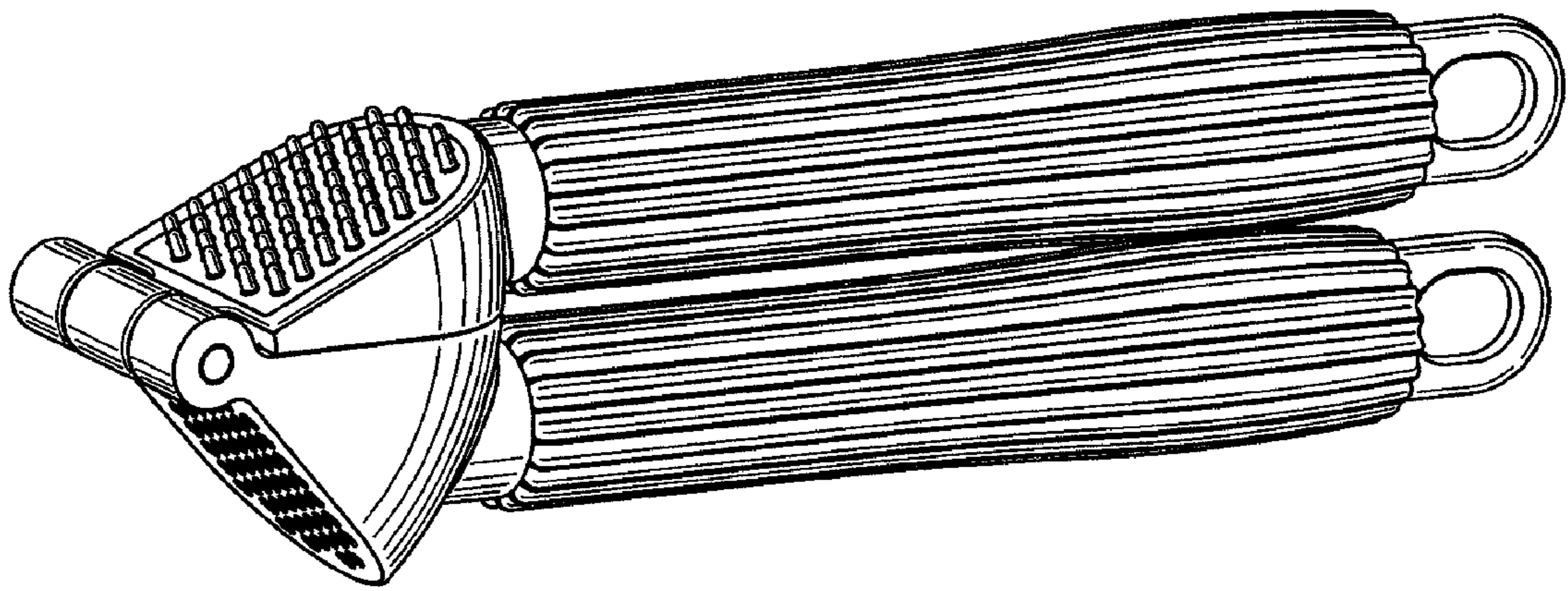


FIGURE 1

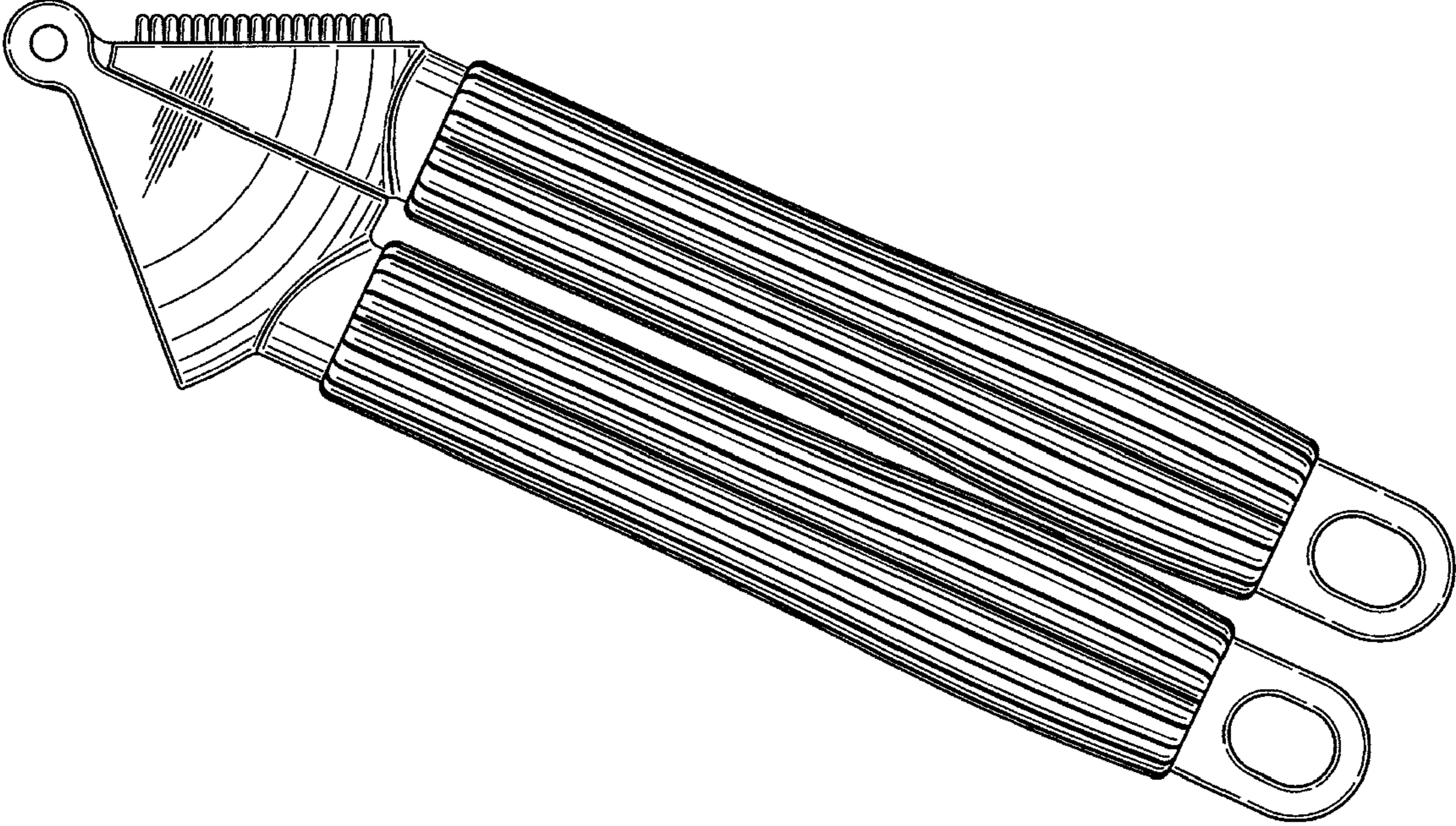


FIGURE 2

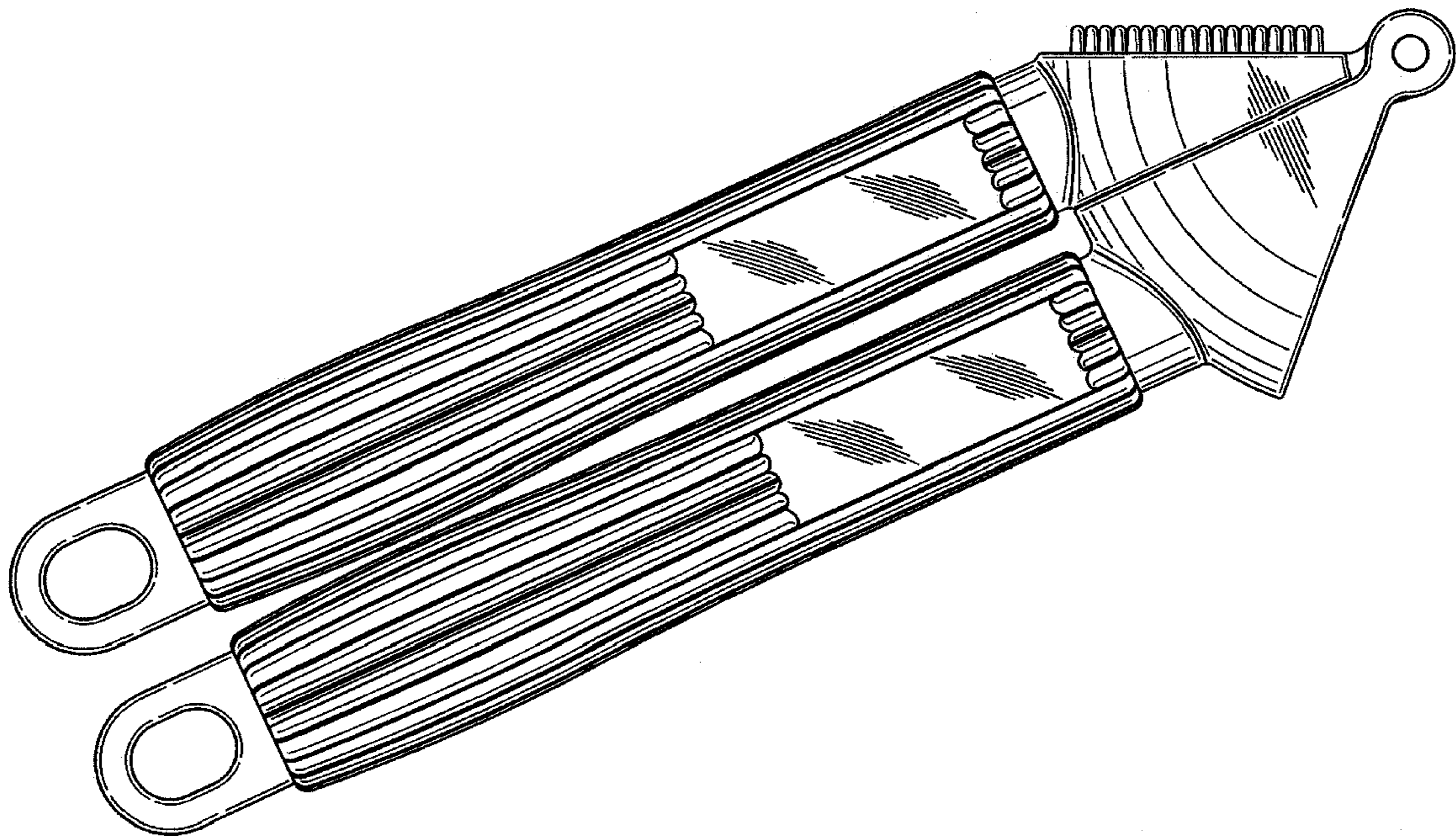


FIGURE 3

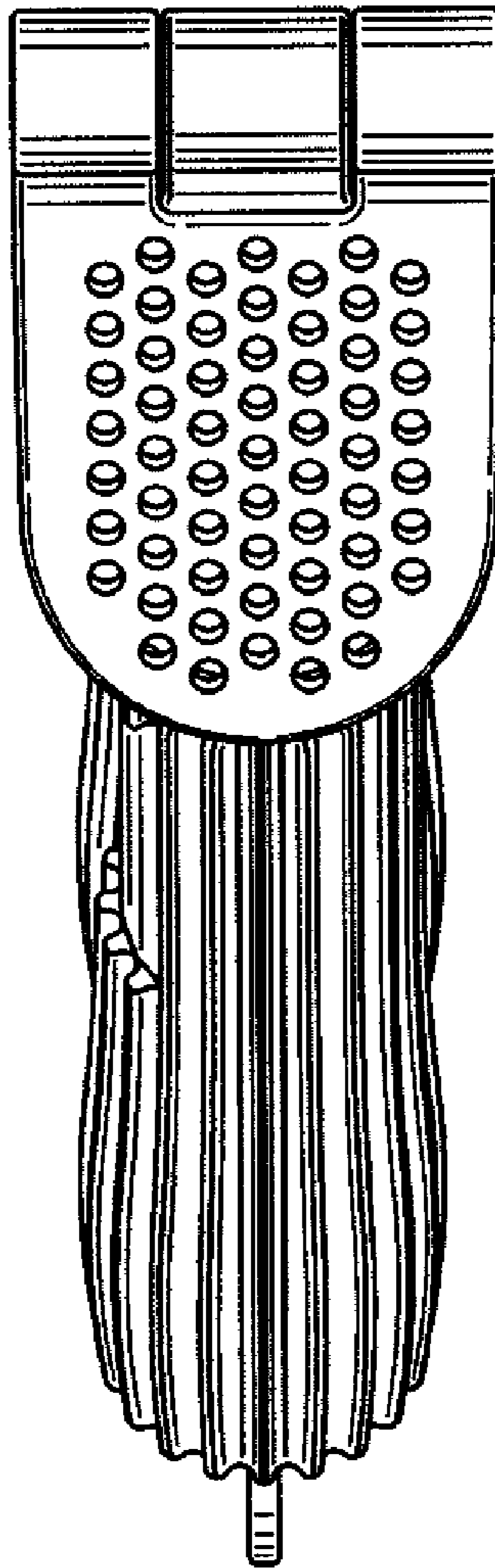


FIGURE 4

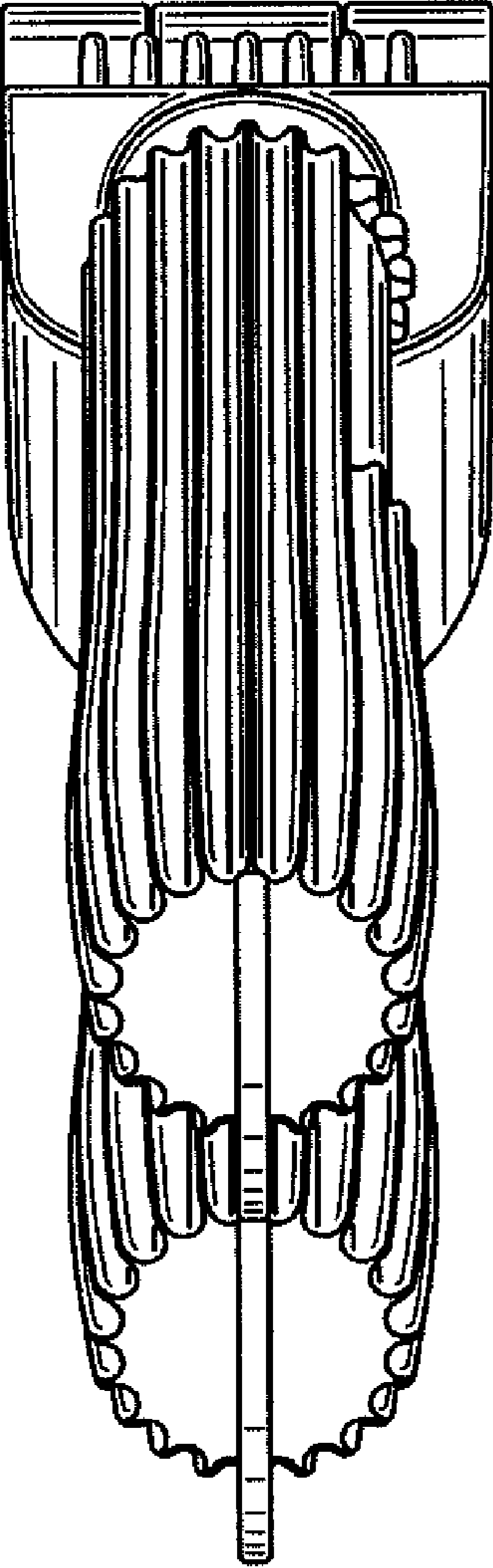


FIGURE 5

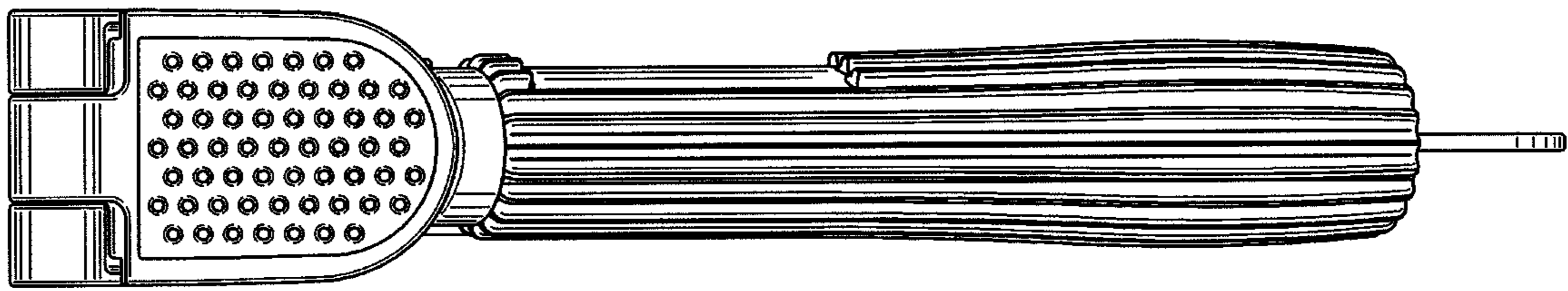


FIGURE 6

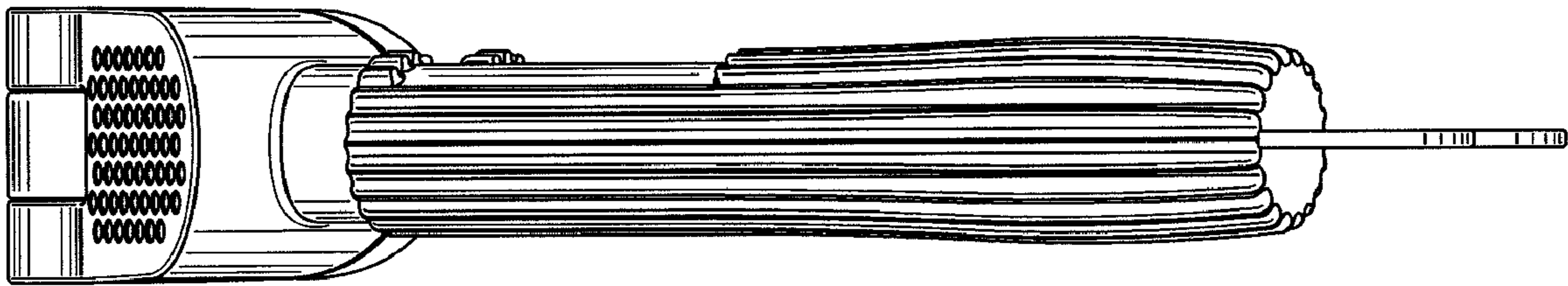


FIGURE 7



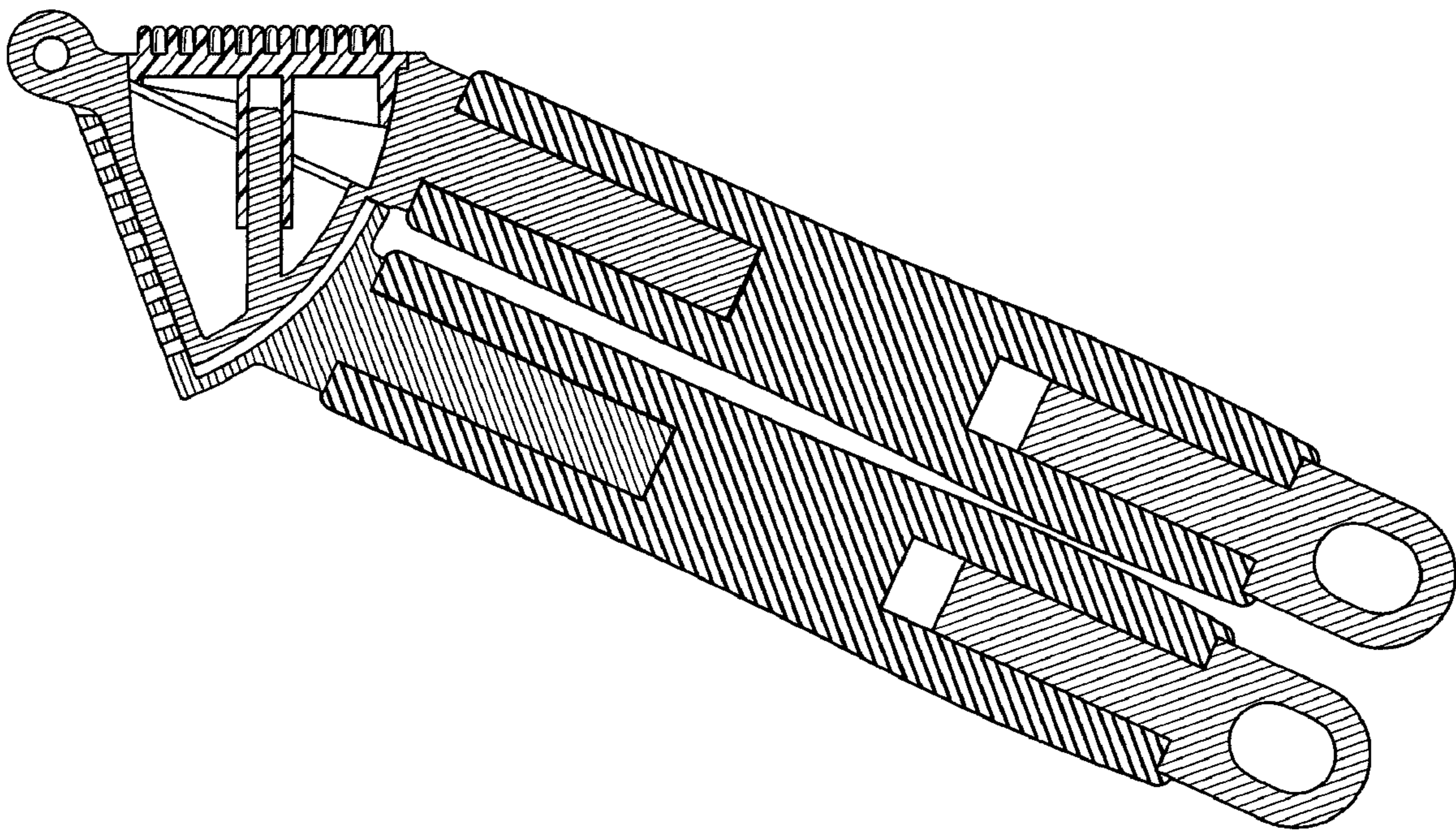


FIGURE 8