



US00D618516S

(12) **United States Design Patent**
DiPietro et al.

(10) **Patent No.:** **US D618,516 S**

(45) **Date of Patent:** **** Jun. 29, 2010**

(54) **STORAGE CONTAINER**

(75) Inventors: **Dean DiPietro**, Brooklyn, NY (US);
Timothy Jude Kennedy, Leonia, NJ
(US); **Sherwood Forlee**, Brooklyn, NY
(US)

(73) Assignee: **Helen of Troy Limited**, St. Michael
(BB)

(**) Term: **14 Years**

(21) Appl. No.: **29/314,880**

(22) Filed: **May 7, 2009**

(51) **LOC (9) Cl.** **07-07**

(52) **U.S. Cl.** **D7/629**

(58) **Field of Classification Search** D7/601,
D7/602, 629, 612-615, 538-542; 220/574-575,
220/780-806; D9/424-432

See application file for complete search history.

(56) **References Cited**

U.S. PATENT DOCUMENTS

2,535,840	A	12/1950	Coyle et al.	
4,337,874	A	7/1982	Hoening et al.	
4,412,630	A *	11/1983	Daenen	220/792
D284,253	S *	6/1986	Carlson	D7/629
4,809,874	A	3/1989	Pehr	
4,819,824	A *	4/1989	Longbottom et al.	220/266
5,163,576	A	11/1992	Galer	
D332,204	S *	1/1993	Carlson	D7/629
D357,161	S *	4/1995	Booten	D7/605
5,582,314	A	12/1996	Quinn et al.	
6,253,947	B1	7/2001	Yang	
D472,773	S *	4/2003	Samartgis	D7/629
6,619,498	B2	9/2003	von Holdt, Jr.	
D483,622	S *	12/2003	Kim	D7/629
6,669,049	B2	12/2003	Cridler	
6,708,839	B2	3/2004	Diesterbeck	
6,789,692	B2	9/2004	Prezelin	
6,834,772	B1	12/2004	Thorsø	
7,080,754	B2	7/2006	Lown	
D544,762	S *	6/2007	Zimmerman	D7/629

D546,632	S *	7/2007	Oberloier	D7/629
D551,515	S *	9/2007	Ablo et al.	D7/629
D562,083	S *	2/2008	Lown et al.	D7/629
2002/0053569	A1	5/2002	Mills et al.	
2002/0148846	A1	10/2002	Luburic	
2002/0148847	A1	10/2002	Luburic	
2004/0084465	A1	5/2004	Luburic	
2005/0269339	A1	12/2005	Ciccone	
2006/0076352	A1	4/2006	Peterson et al.	
2006/0261067	A1	11/2006	Letica	
2007/0102438	A1	5/2007	Schwarz	
2007/0205196	A1	9/2007	Burney et al.	

* cited by examiner

Primary Examiner—Terry A Wallace
(74) *Attorney, Agent, or Firm*—Seyfarth Shaw LLP

(57) **CLAIM**

The ornamental design for the storage container, as shown and described.

DESCRIPTION

FIG. 1 is a top perspective view of the storage container showing a first embodiment of the new design;

FIG. 2 is a side elevational view of the narrow side of the first embodiment, the opposite side elevational view being identical;

FIG. 3 is a top plan view of the first embodiment;

FIG. 4 is a side elevational view of the wide side of the first embodiment, the opposite side elevational view being identical;

FIG. 5 is a bottom plan view of the first embodiment;

FIG. 6 is a top perspective view showing a second embodiment of the new design;

FIG. 7 is a side elevational view of the narrow side of the second embodiment, the opposite side elevational view being identical;

FIG. 8 is a top plan view of the second embodiment;

FIG. 9 is a side elevational view of the wide side of the second embodiment, the opposite side elevational view being identical;

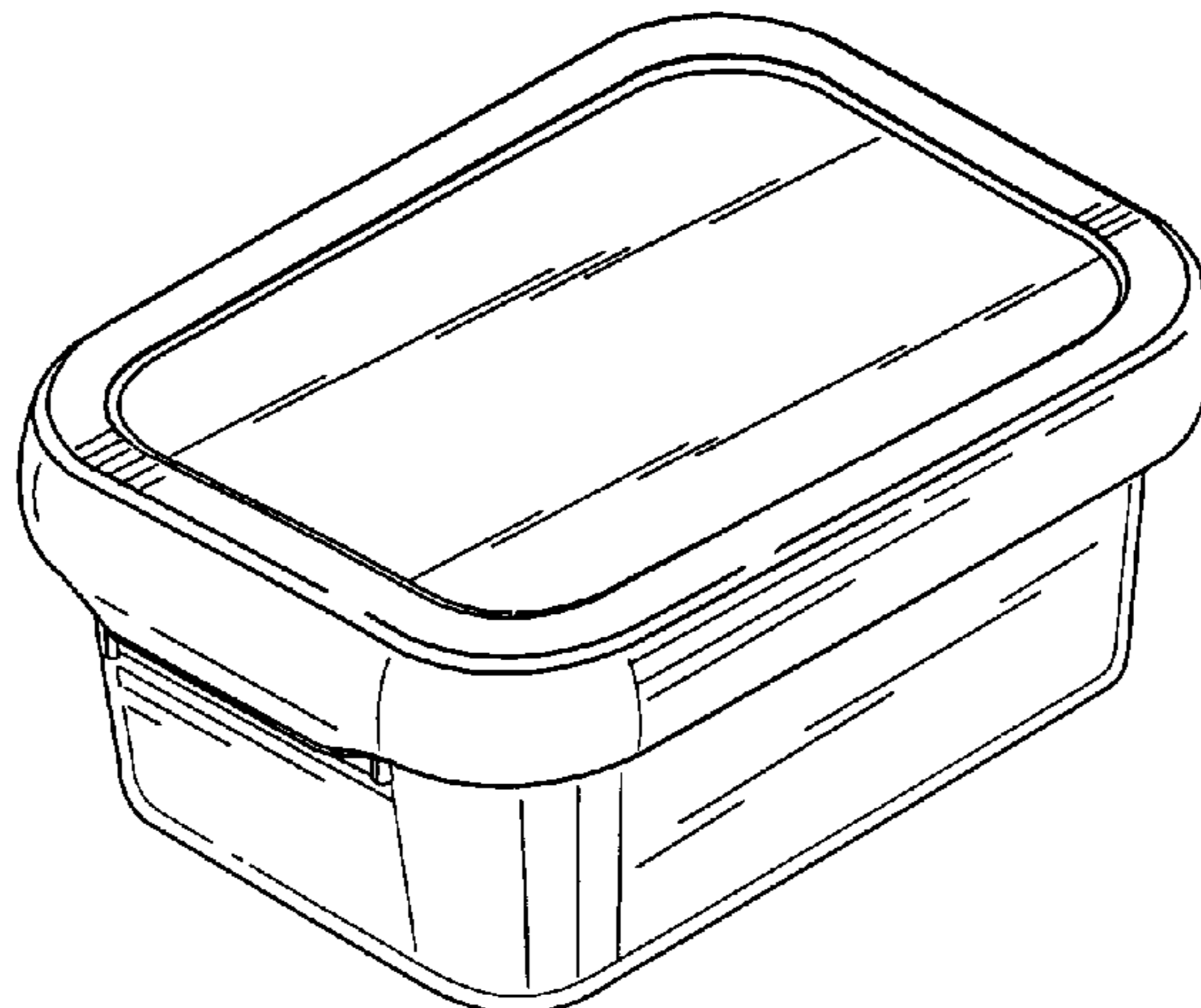


FIG. 10 is a bottom plan view of the second embodiment;

FIG. 11 is a top perspective view showing a third embodiment of the new design;

FIG. 12 is a side elevational view of the narrow side of the third embodiment, the opposite side elevational view being identical;

FIG. 13 is a top plan view of the third embodiment;

FIG. 14 is a side elevational view of the wide side of the third embodiment, the opposite side elevational view being identical;

FIG. 15 is a bottom plan view of the third embodiment;

FIG. 16 is a top perspective view showing a fourth embodiment of the new design;

FIG. 17 is a side elevational view of the narrow side of the fourth embodiment, the opposite side elevational view being identical;

FIG. 18 is a top plan view of the fourth embodiment;

FIG. 19 is a side elevational view of the wide side of the fourth embodiment, the opposite side elevational view being identical;

FIG. 20 is a bottom plan view of the fourth embodiment;

FIG. 21 is a top perspective view showing a fifth embodiment of the new design;

FIG. 22 is a side elevational view of the narrow side of the fifth embodiment, the opposite side elevational view being identical;

FIG. 23 is a top plan view of the fifth embodiment;

FIG. 24 is a side elevational view of the wide side of the fifth embodiment, the opposite side elevational view being identical;

FIG. 25 is a bottom plan view of the fifth embodiment;

FIG. 26 is a top perspective view showing a sixth embodiment of the new design;

FIG. 27 is a side elevational view of the narrow side of the sixth embodiment, the opposite side elevational view being identical;

FIG. 28 is a top plan view of the sixth embodiment;

FIG. 29 is a side elevational view of the wide side of the sixth embodiment, the opposite side elevational view being identical;

FIG. 30 is a bottom plan view of the sixth embodiment;

FIG. 31 is a top perspective view showing a seventh embodiment of the new design;

FIG. 32 is a side elevational view of the narrow side of the seventh embodiment, the opposite side elevational view being identical;

FIG. 33 is a top plan view of the seventh embodiment;

FIG. 34 is a side elevational view of the wide side of the seventh embodiment, the opposite side elevational view being identical;

FIG. 35 is a bottom plan view of the seventh embodiment;

FIG. 36 is a top perspective view showing a eighth embodiment of the new design;

FIG. 37 is a side elevational view of the narrow side of the eighth embodiment, the opposite side elevational view being identical;

FIG. 38 is a top plan view of the eighth embodiment;

FIG. 39 is a side elevational view of the wide side of the eighth embodiment, the opposite side elevational view being identical;

FIG. 40 is a bottom plan view of the eighth embodiment;

FIG. 41 is a top perspective view showing a ninth embodiment of the new design;

FIG. 42 is a side elevational view of the left side of the ninth embodiment, the right side elevational view being identical;

FIG. 43 is a top plan view of the ninth embodiment;

FIG. 44 is a side elevational view of the front side of the ninth embodiment, the rear side elevational view being identical;

FIG. 45 is a bottom plan view of the ninth embodiment;

FIG. 46 is a top perspective view showing a tenth embodiment of the new design;

FIG. 47 is a side elevational view of the left side of the tenth embodiment, the right side elevational view being identical;

FIG. 48 is a top plan view of the tenth embodiment;

FIG. 49 is a side elevational view of the front side of the tenth embodiment, the rear side elevational view being identical;

FIG. 50 is a bottom plan view of the tenth embodiment;

FIG. 51 is a top perspective view showing an eleventh embodiment of the new design;

FIG. 52 is a side elevational view of the left side of the eleventh embodiment, the right side elevational view being identical;

FIG. 53 is a top plan view of the eleventh embodiment;

FIG. 54 is a side elevational view of the front side of the eleventh embodiment, the rear side elevational view being identical;

FIG. 55 is a bottom plan view of the eleventh embodiment;

FIG. 56 is a top perspective view showing a twelfth embodiment of the new design;

FIG. 57 is a side elevational view of the left side of the twelfth embodiment, the right side elevational view being identical;

FIG. 58 is a top plan view of the twelfth embodiment;

FIG. 59 is a side elevational view of the front side of the twelfth embodiment, the rear side elevational view being identical;

FIG. 60 is a bottom plan view of the twelfth embodiment;

FIG. 61 is a top perspective view of the storage container showing a thirteenth embodiment of the new design;

FIG. 62 is a side elevational view of the narrow side of the thirteenth embodiment, the opposite side elevational view being identical;

FIG. 63 is a top plan view of the thirteenth embodiment;

FIG. 64 is a side elevational view of the wide side of the thirteenth embodiment, the opposite side elevational view being identical;

FIG. 65 is a bottom plan view of the thirteenth embodiment;

FIG. 66 is a top perspective view showing a fourteenth embodiment of the new design;

FIG. 67 is a side elevational view of the narrow side of the fourteenth embodiment, the opposite side elevational view being identical;

FIG. 68 is a top plan view of the fourteenth embodiment;

FIG. 69 is a side elevational view of the wide side of the fourteenth embodiment, the opposite side elevational view being identical;

FIG. 70 is a bottom plan view of the fourteenth embodiment;

FIG. 71 is a top perspective view showing a fifteenth embodiment of the new design;

FIG. 72 is a side elevational view of the narrow side of the fifteenth embodiment, the opposite side elevational view being identical;

FIG. 73 is a top plan view of the fifteenth embodiment;

FIG. 74 is a side elevational view of the wide side of the fifteenth embodiment, the opposite side elevational view being identical;

FIG. 75 is a bottom plan view of the fifteenth embodiment;

FIG. 76 is a top perspective view showing a sixteenth embodiment of the new design;

FIG. 77 is a side elevational view of the narrow side of the sixteenth embodiment, the opposite side elevational view being identical;

FIG. 78 is a top plan view of the sixteenth embodiment;

FIG. 79 is a side elevational view of the wide side of the sixteenth embodiment, the opposite side elevational view being identical;

FIG. 80 is a bottom plan view of the sixteenth embodiment;

FIG. 81 is a top perspective view showing a seventeenth embodiment of the new design;

FIG. 82 is a side elevational view of the narrow side of the seventeenth embodiment, the opposite side elevational view being identical;

FIG. 83 is a top plan view of the seventeenth embodiment;

FIG. 84 is a side elevational view of the wide side of the seventeenth embodiment, the opposite side elevational view being identical;

FIG. 85 is a bottom plan view of the seventeenth embodiment;

FIG. 86 is a top perspective view showing an eighteenth embodiment of the new design;

FIG. 87 is a side elevational view of the narrow side of the eighteenth embodiment, the opposite side elevational view being identical;

FIG. 88 is a top plan view of the eighteenth embodiment;

FIG. 89 is a side elevational view of the wide side of the eighteenth embodiment, the opposite side elevational view being identical;

FIG. 90 is a bottom plan view of the eighteenth embodiment;

FIG. 91 is a top perspective view showing a nineteenth embodiment of the new design;

FIG. 92 is a side elevational view of the narrow side of the nineteenth embodiment, the opposite side elevational view being identical;

FIG. 93 is a top plan view of the nineteenth embodiment;

FIG. 94 is a side elevational view of the wide side of the nineteenth embodiment, the opposite side elevational view being identical;

FIG. 95 is a bottom plan view of the nineteenth embodiment;

FIG. 96 is a top perspective view showing a twentieth embodiment of the new design;

FIG. 97 is a side elevational view of the narrow side of the twentieth embodiment, the opposite side elevational view being identical;

FIG. 98 is a top plan view of the twentieth embodiment;

FIG. 99 is a side elevational view of the wide side of the twentieth embodiment, the opposite side elevational view being identical;

FIG. 100 is a bottom plan view of the twentieth embodiment;

FIG. 101 is a top perspective view showing a twenty-first embodiment of the new design;

FIG. 102 is a side elevational view of the left side of the twenty-first embodiment, the right side elevational view being identical;

FIG. 103 is a top plan view of the twenty-first embodiment;

FIG. 104 is a side elevational view of the front side of the twenty-first embodiment, the rear side elevational view being identical;

FIG. 105 is a bottom plan view of the twenty-first embodiment;

FIG. 106 is a top perspective view showing a twenty-second embodiment of the new design;

FIG. 107 is a side elevational view of the left side of the twenty-second embodiment, the right side elevational view being identical;

FIG. 108 is a top plan view of the twenty-second embodiment;

FIG. 109 is a side elevational view of the front side of the twenty-second embodiment, the rear side elevational view being identical;

FIG. 110 is a bottom plan view of the twenty-second embodiment;

FIG. 111 is a top perspective view showing a twenty-third embodiment of the new design;

FIG. 112 is a side elevational view of the left side of the twenty-third embodiment, the right side elevational view being identical;

FIG. 113 is a top plan view of the twenty-third embodiment;

FIG. 114 is a side elevational view of the front side of the twenty-third embodiment, the rear side elevational view being identical;

FIG. 115 is a bottom plan view of the twenty-third embodiment;

FIG. 116 is a top perspective view showing a twenty-fourth embodiment of the new design;

FIG. 117 is a side elevational view of the left side of the twenty-fourth embodiment, the right side elevational view being identical;

FIG. 118 is a top plan view of the twenty-fourth embodiment;

FIG. 119 is a side elevational view of the front side of the twenty-fourth embodiment, the rear side elevational view being identical; and,

FIG. 120 is a bottom plan view of the twenty-fourth embodiment.

Any components in the appended drawings shown in broken lines are for illustrative purposes only and form no part of the claimed design or a specified embodiment thereof.

Fig. 1

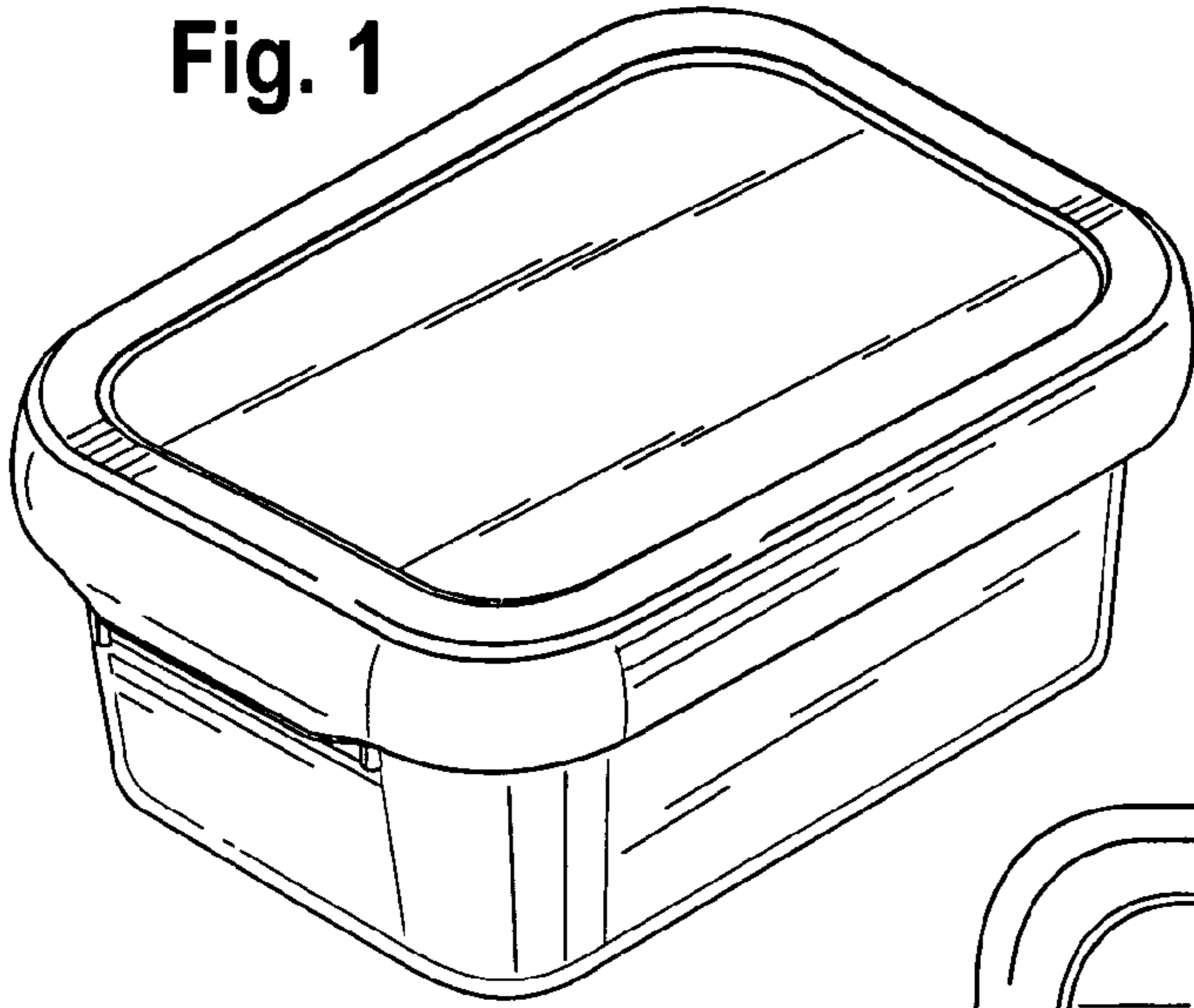


Fig. 2

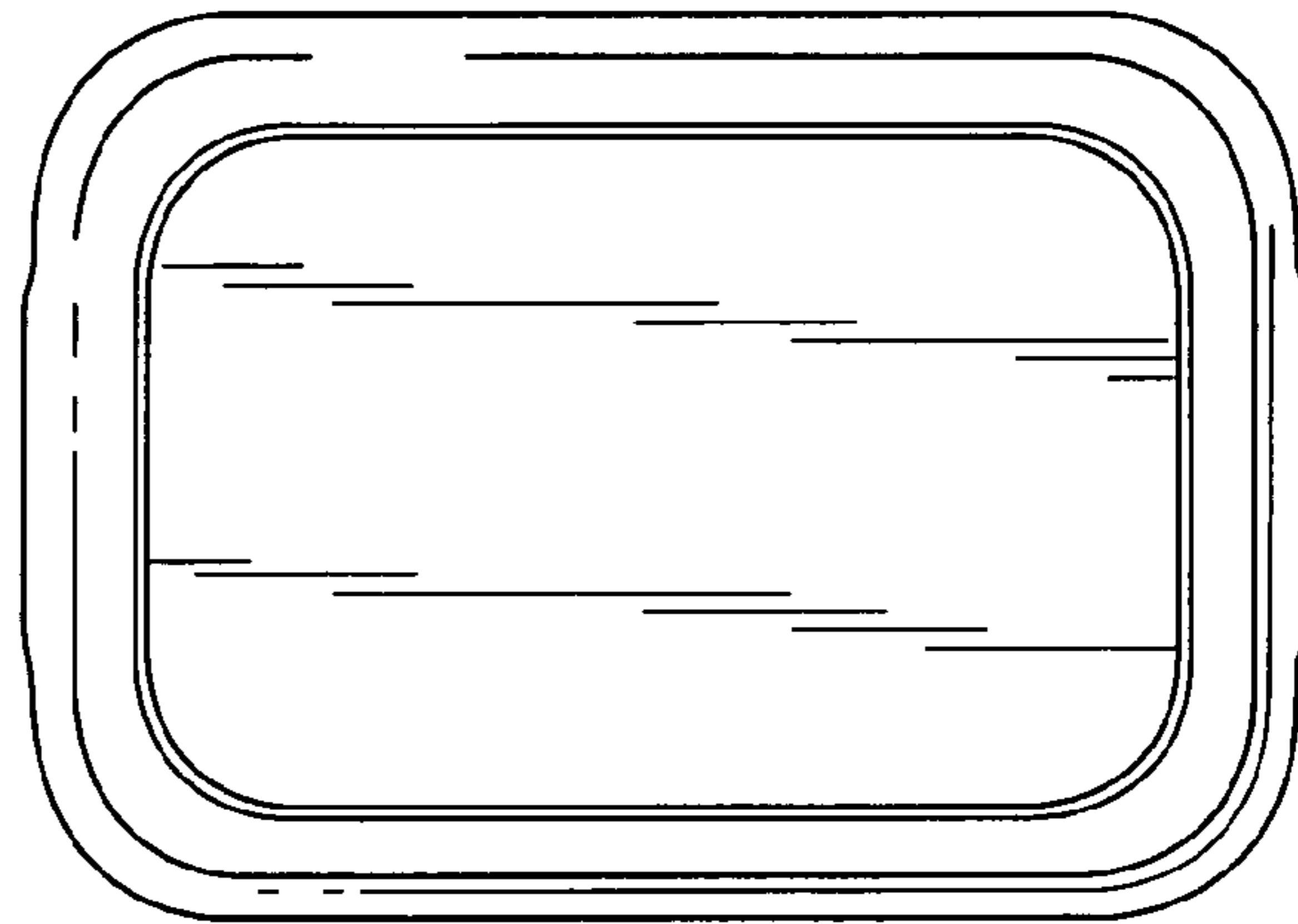


Fig. 3

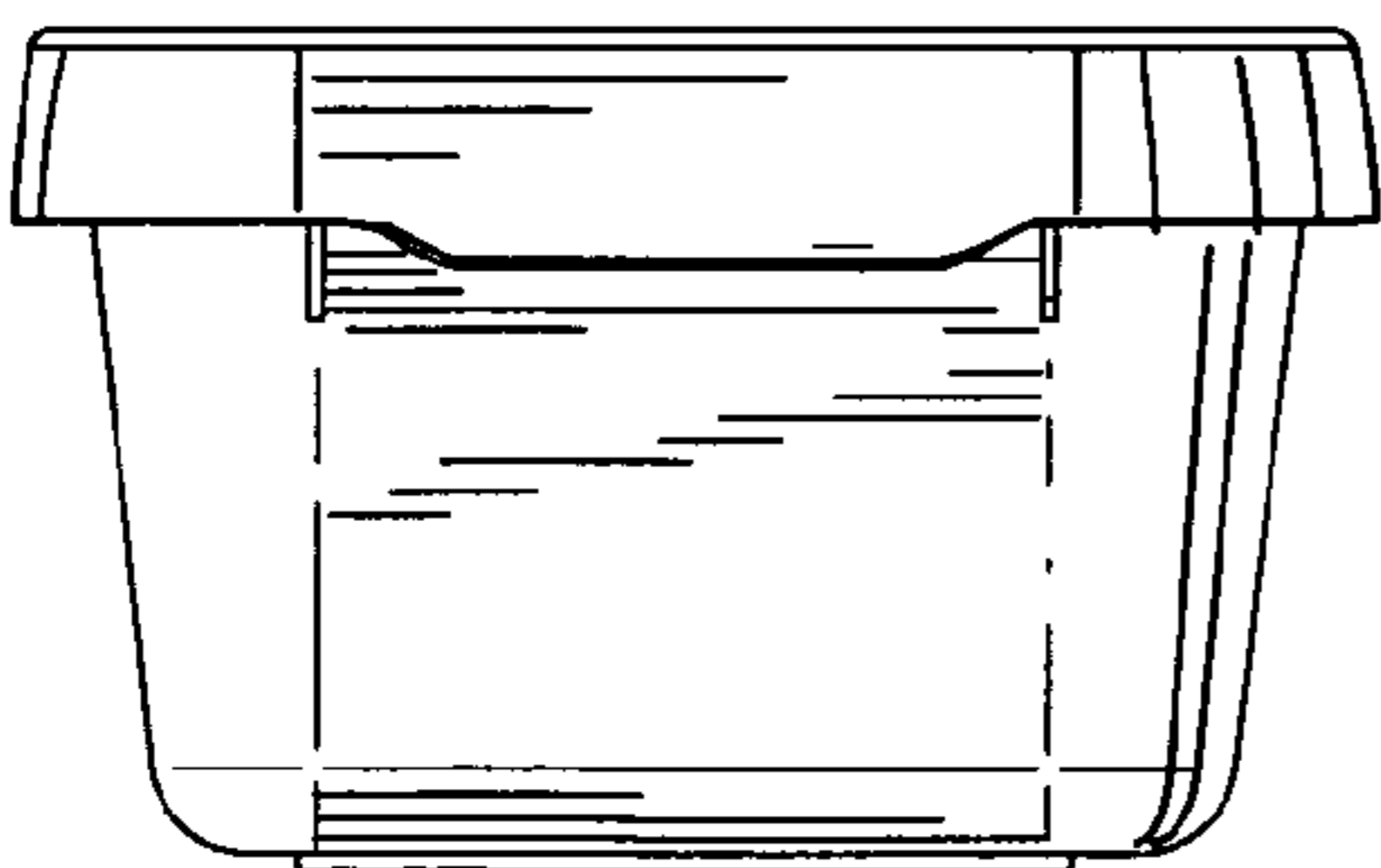


Fig. 4

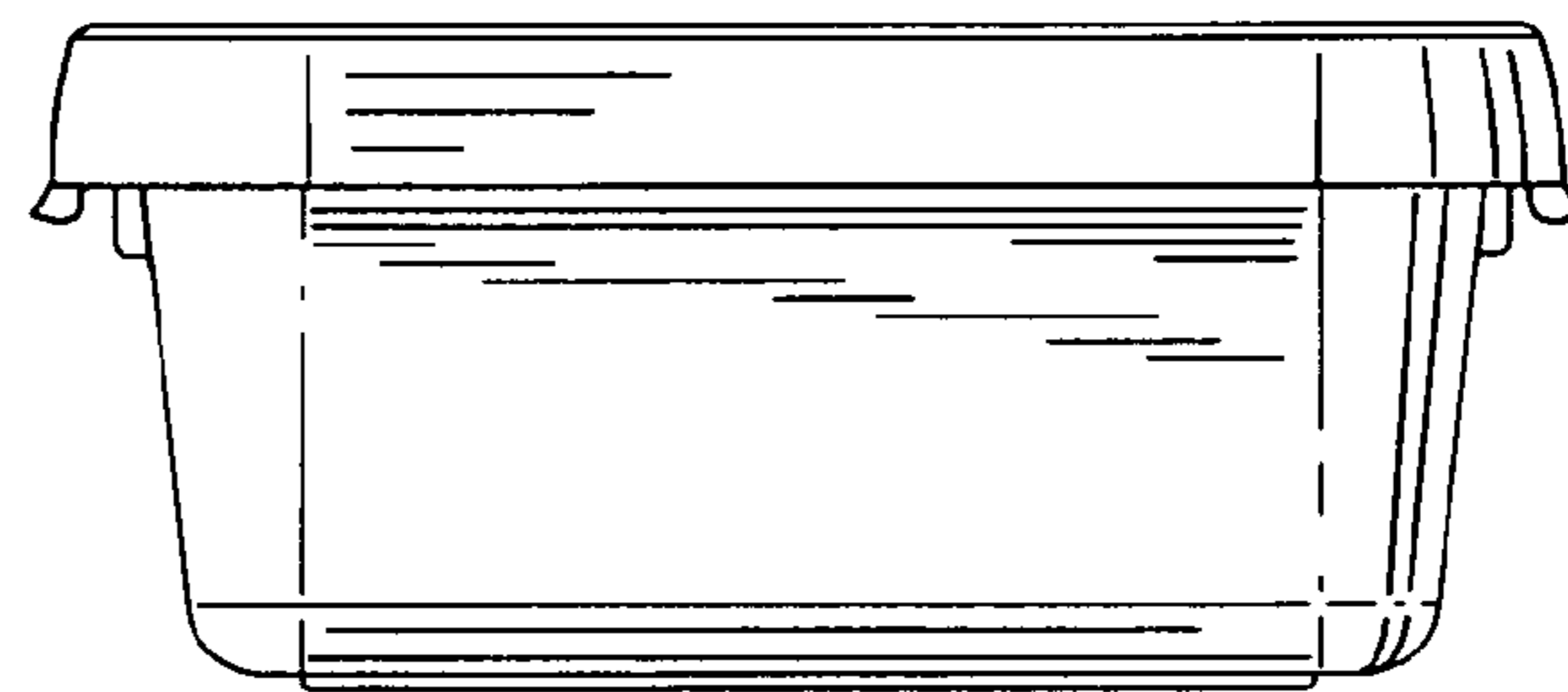


Fig. 5

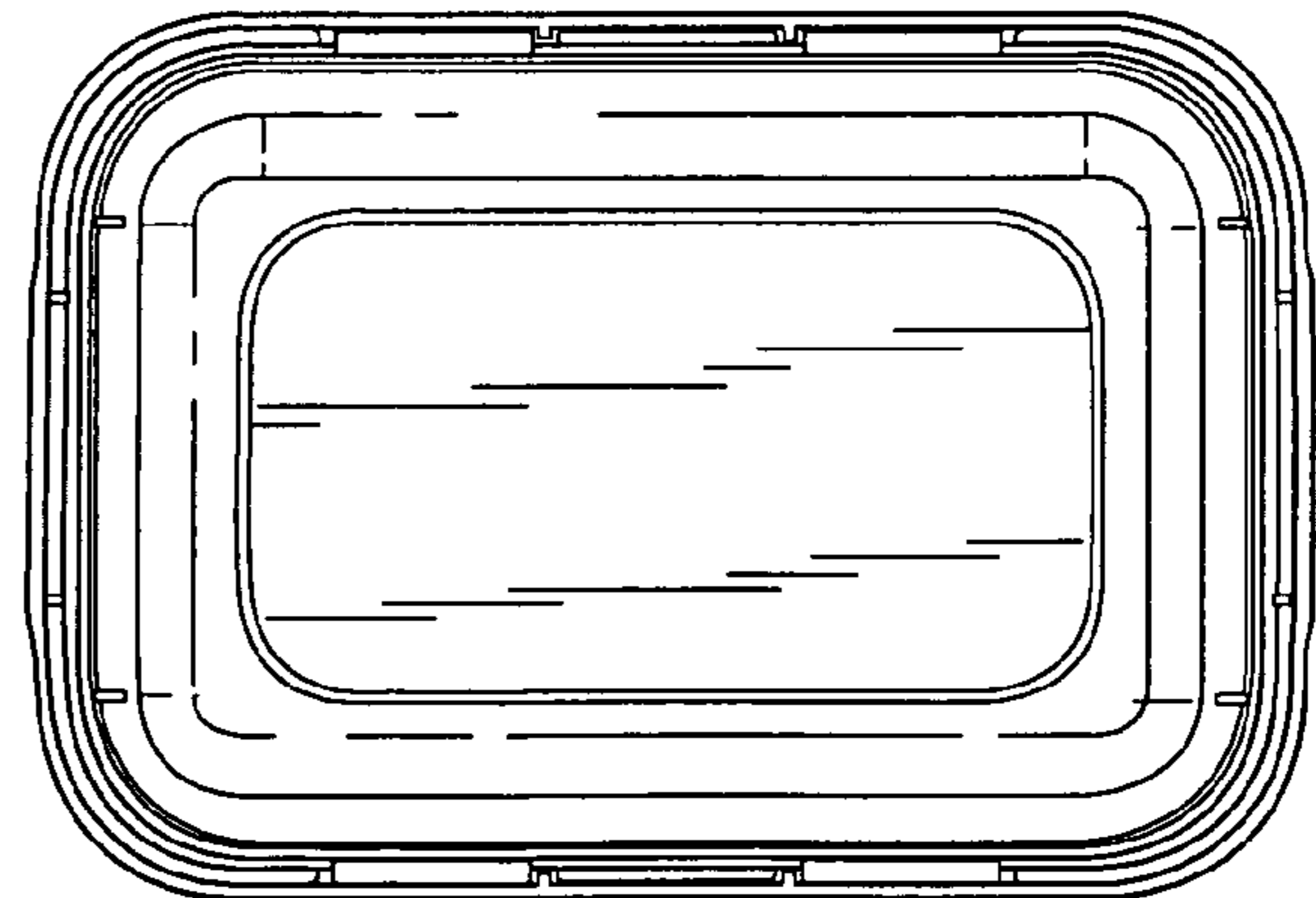


Fig. 6

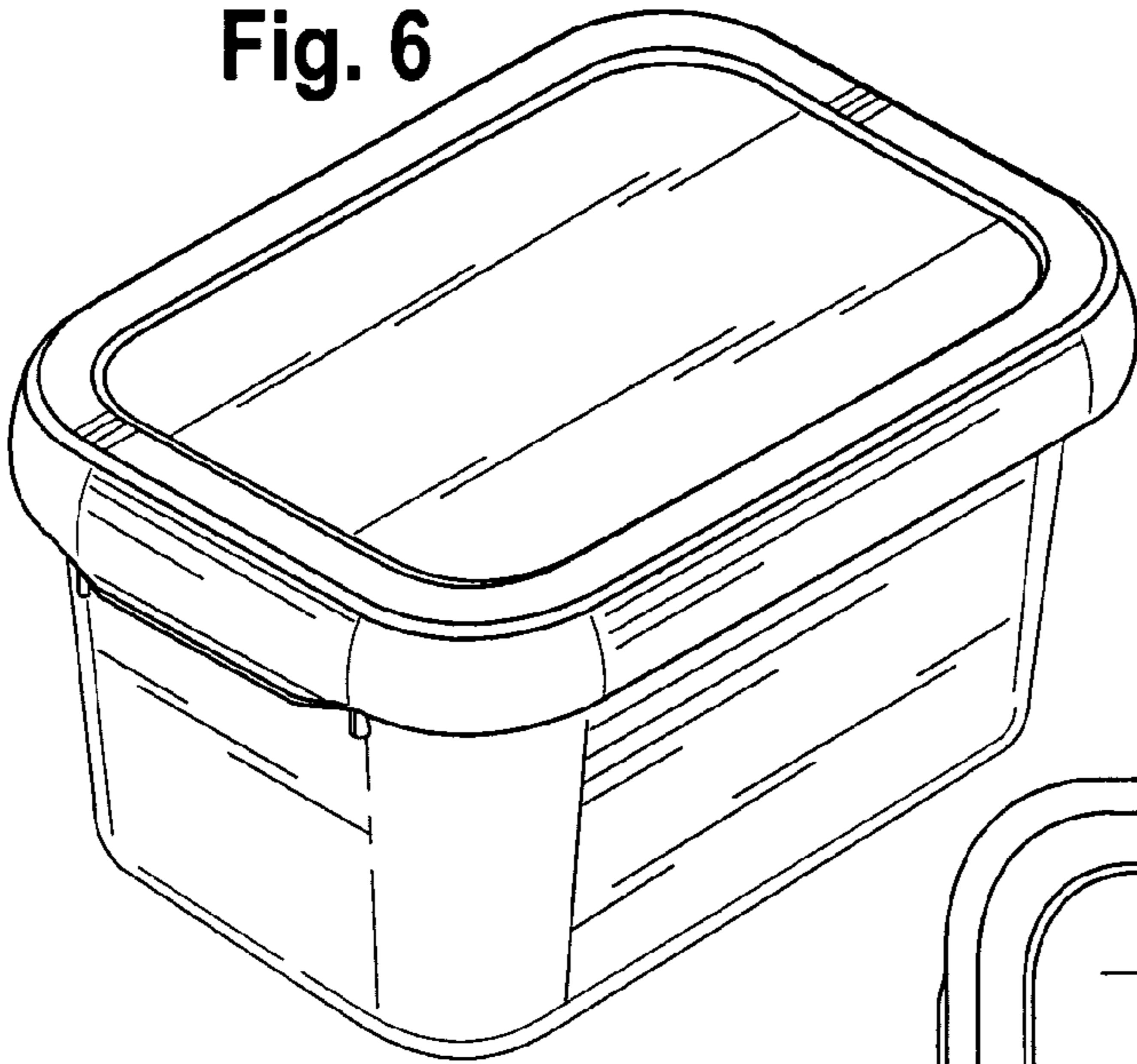


Fig. 8

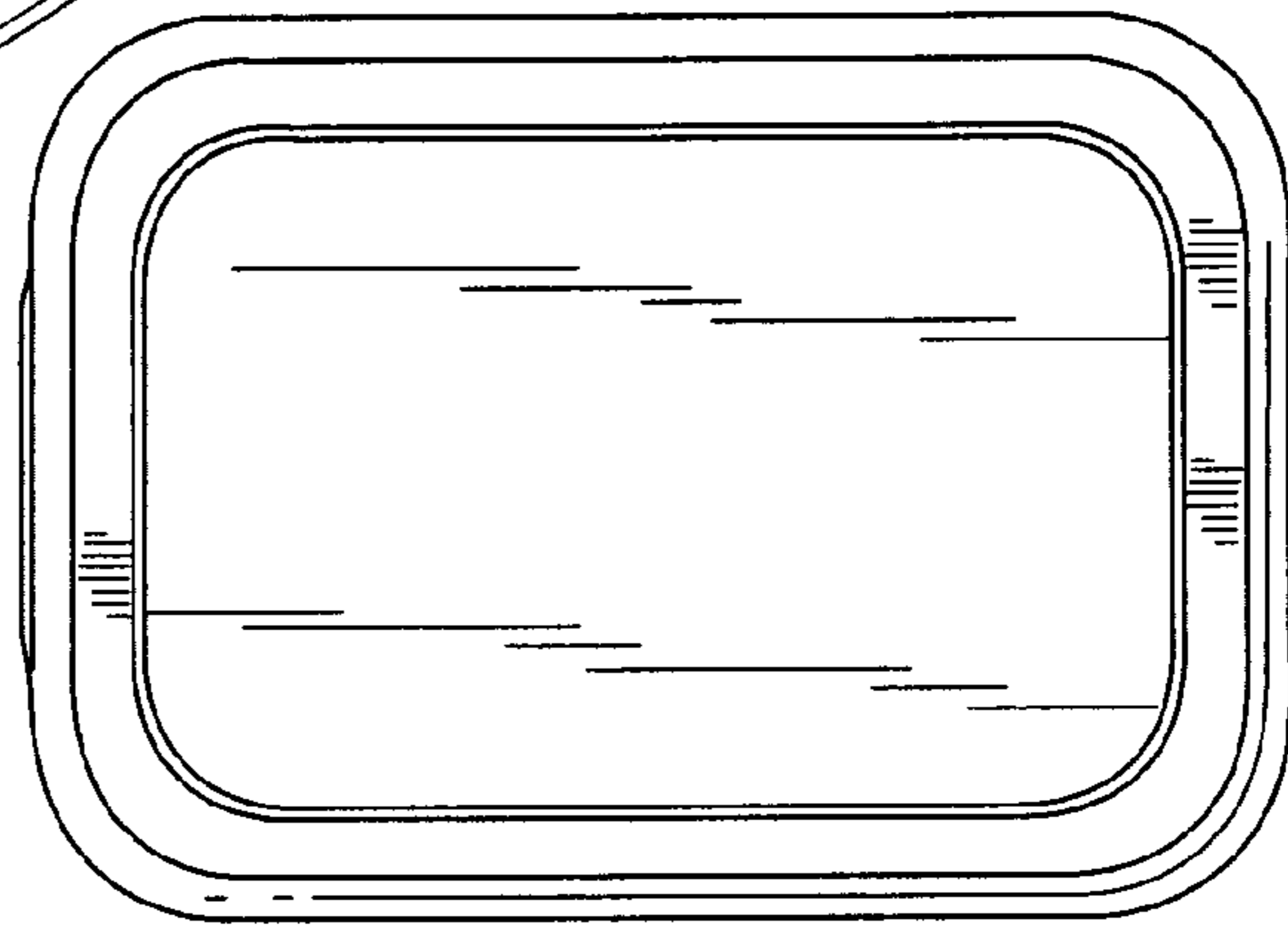


Fig. 7

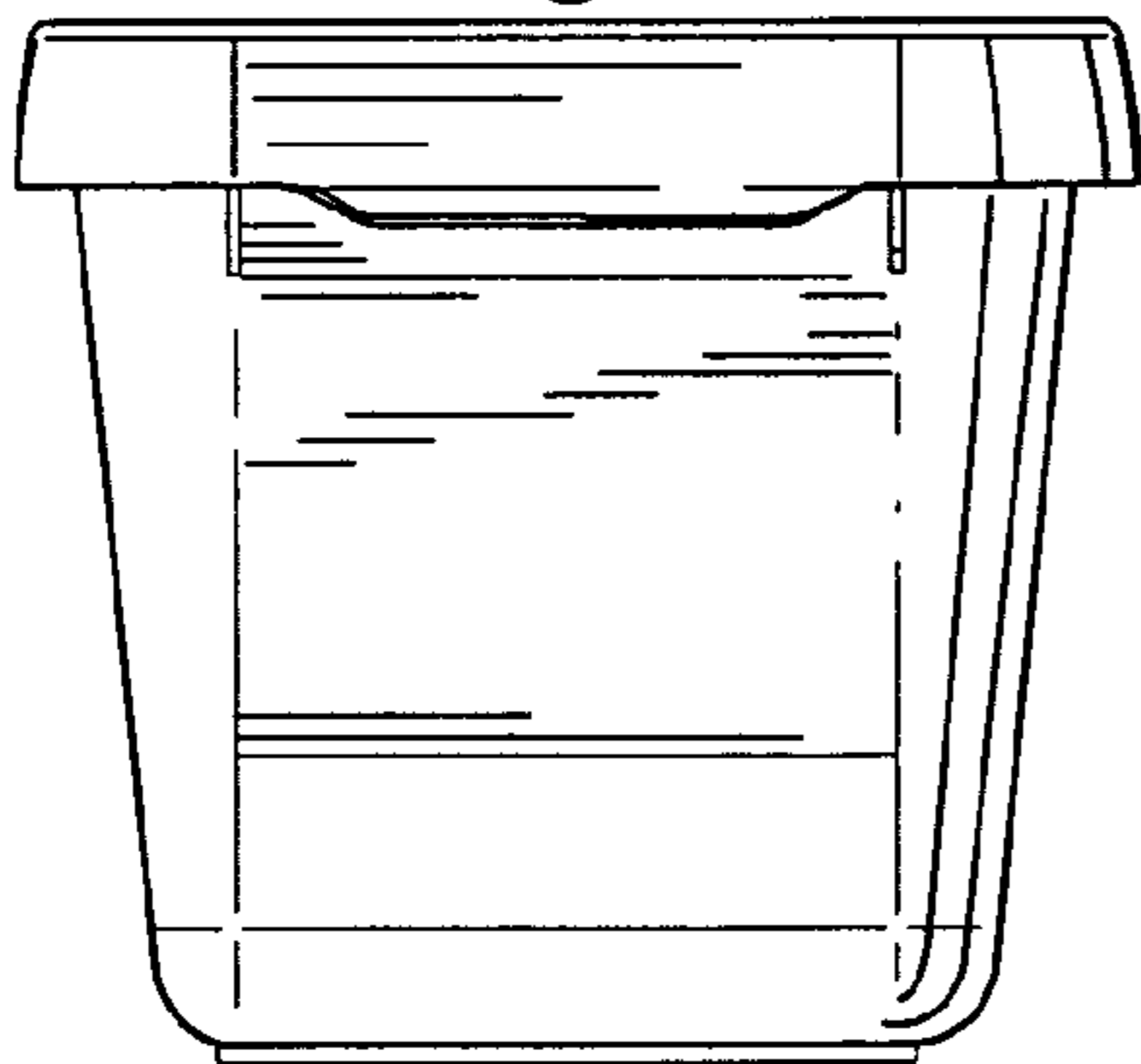


Fig. 9

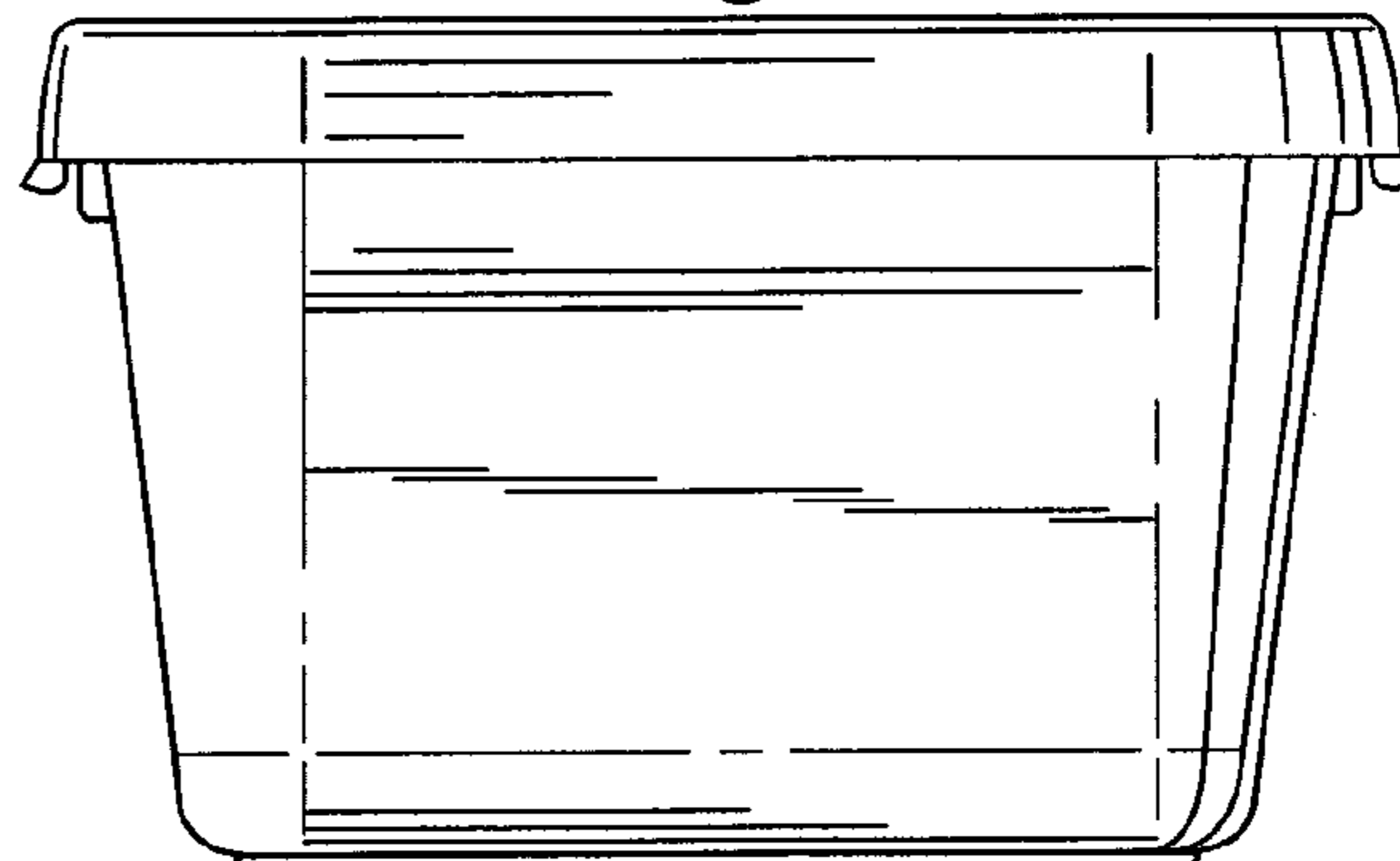


Fig. 10

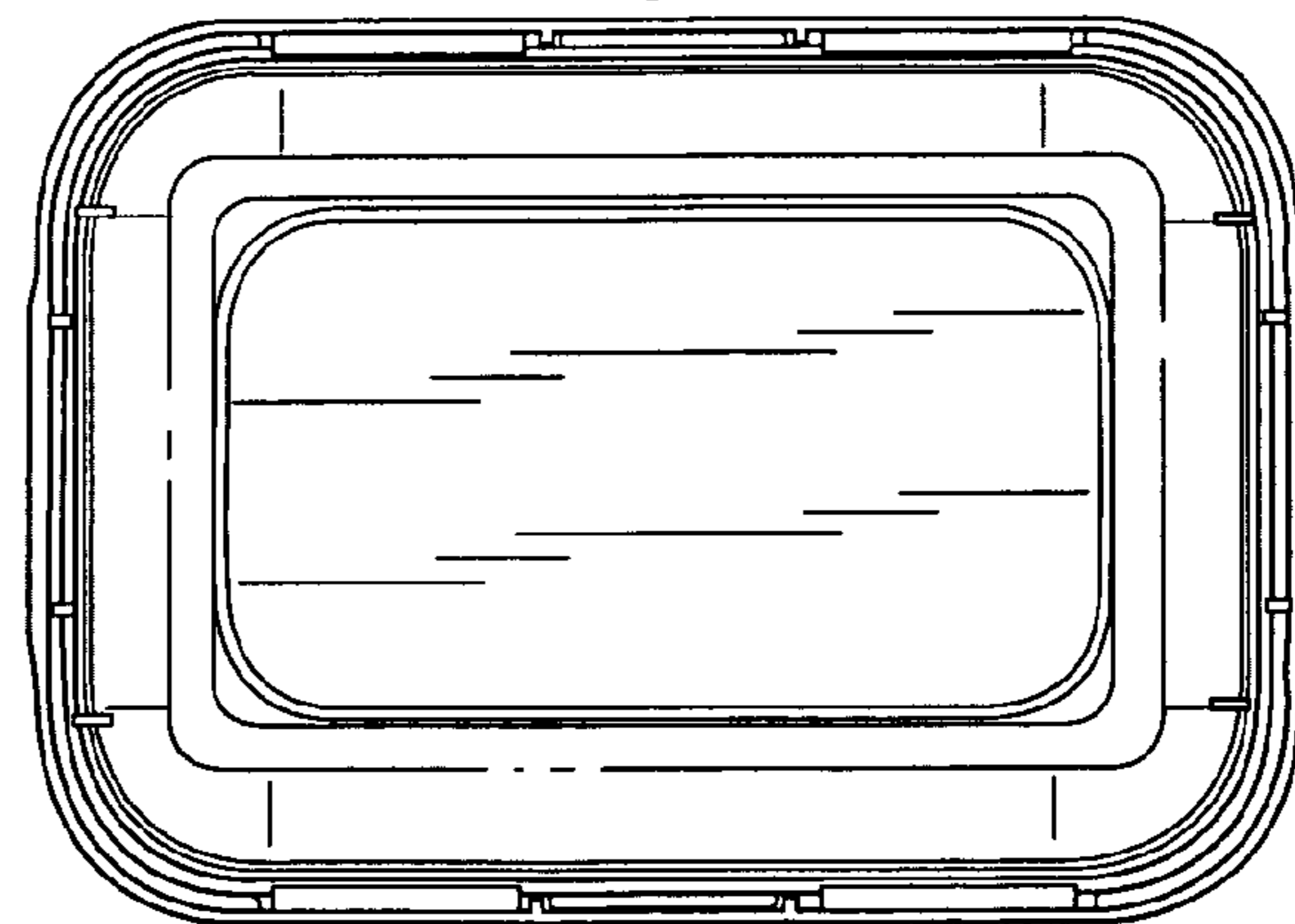


Fig. 11

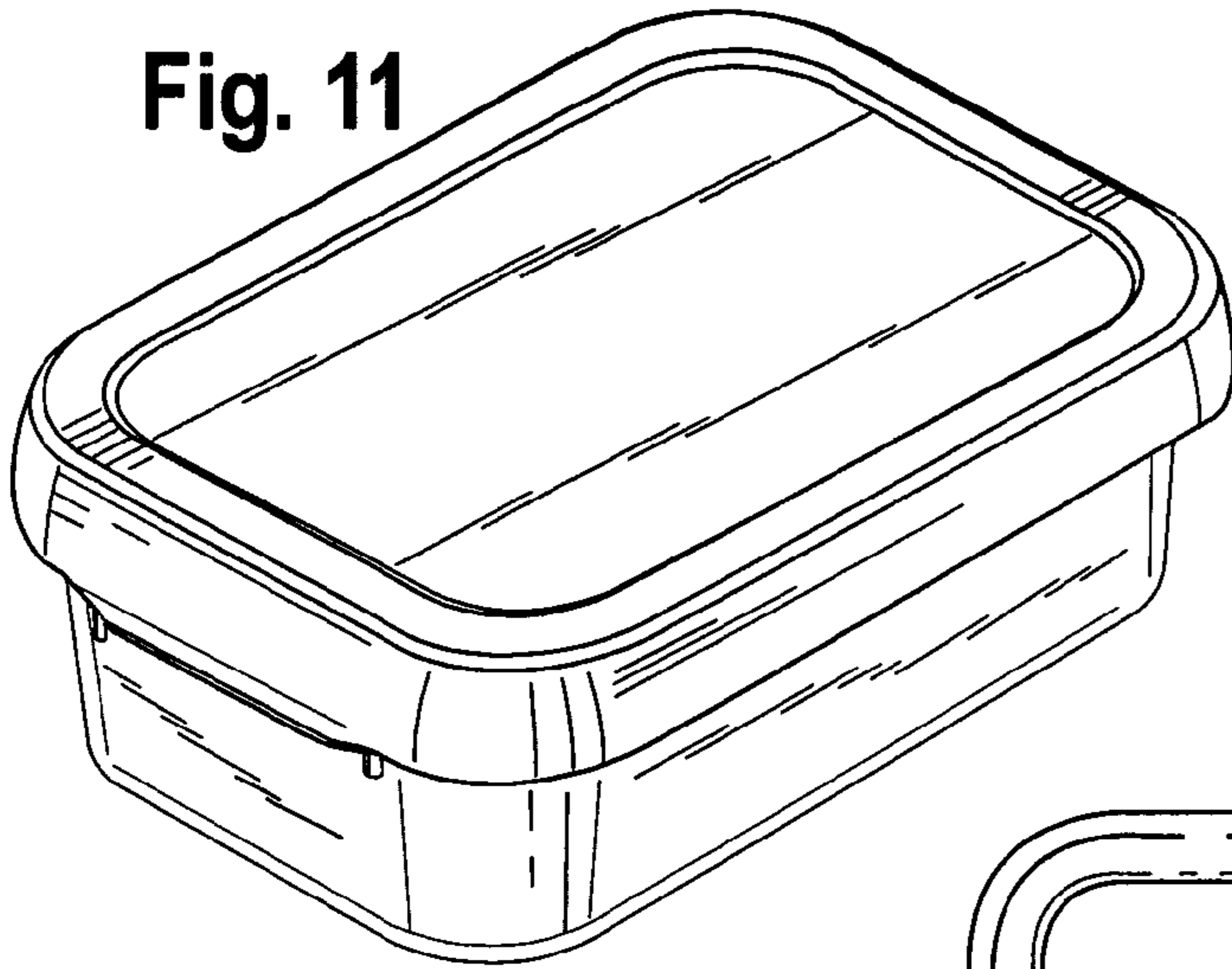


Fig. 13

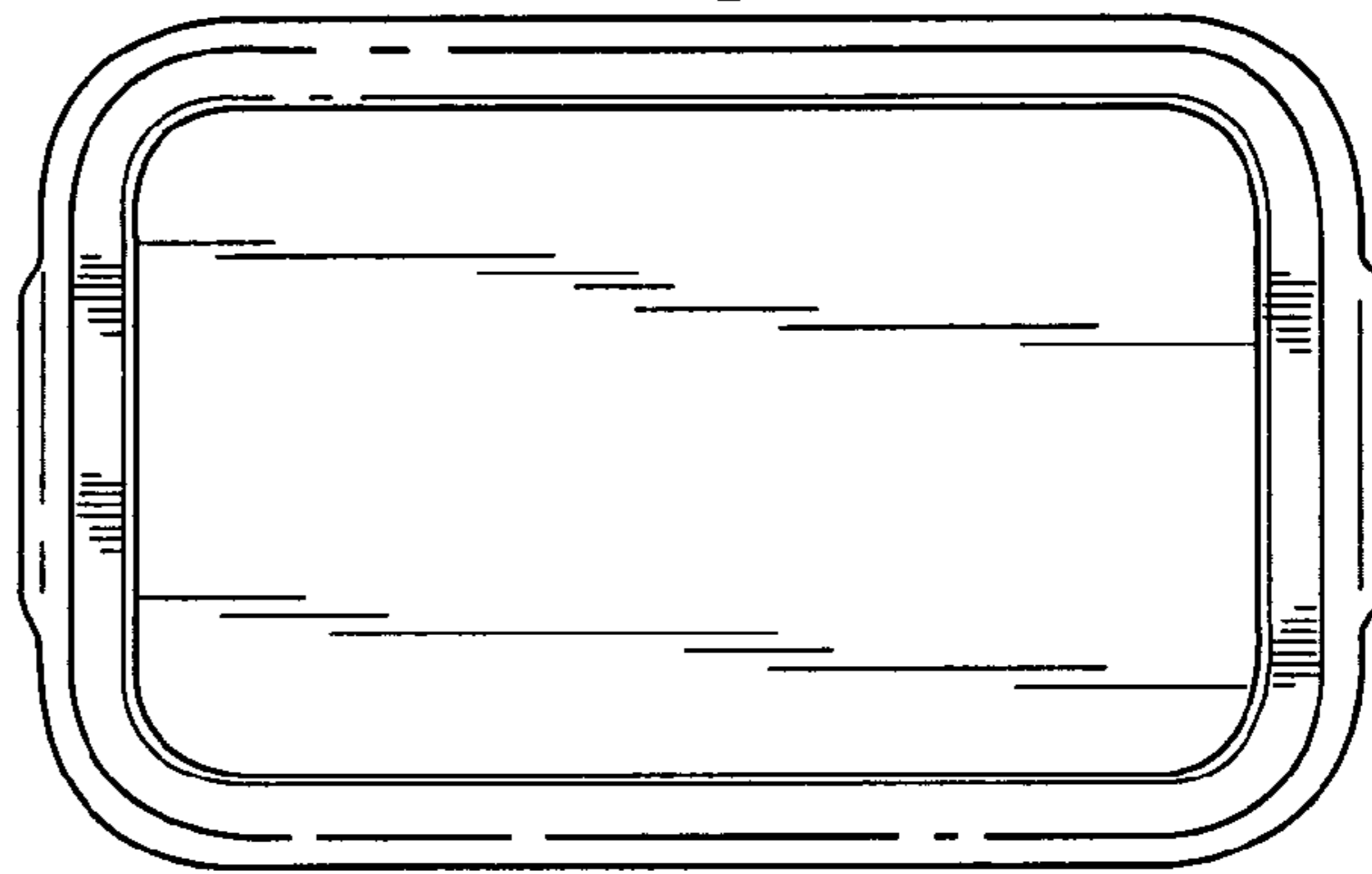


Fig. 12

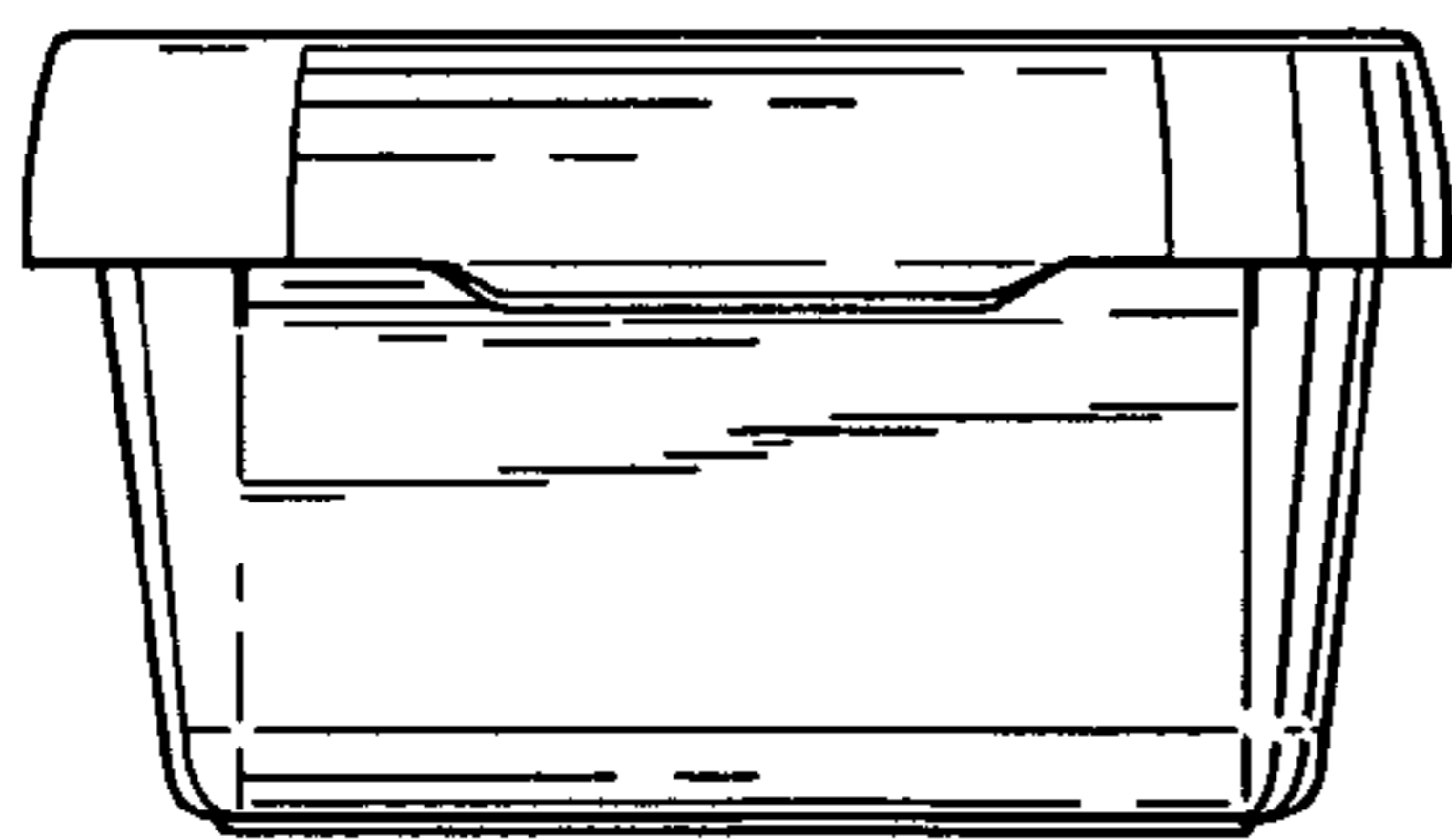


Fig. 14

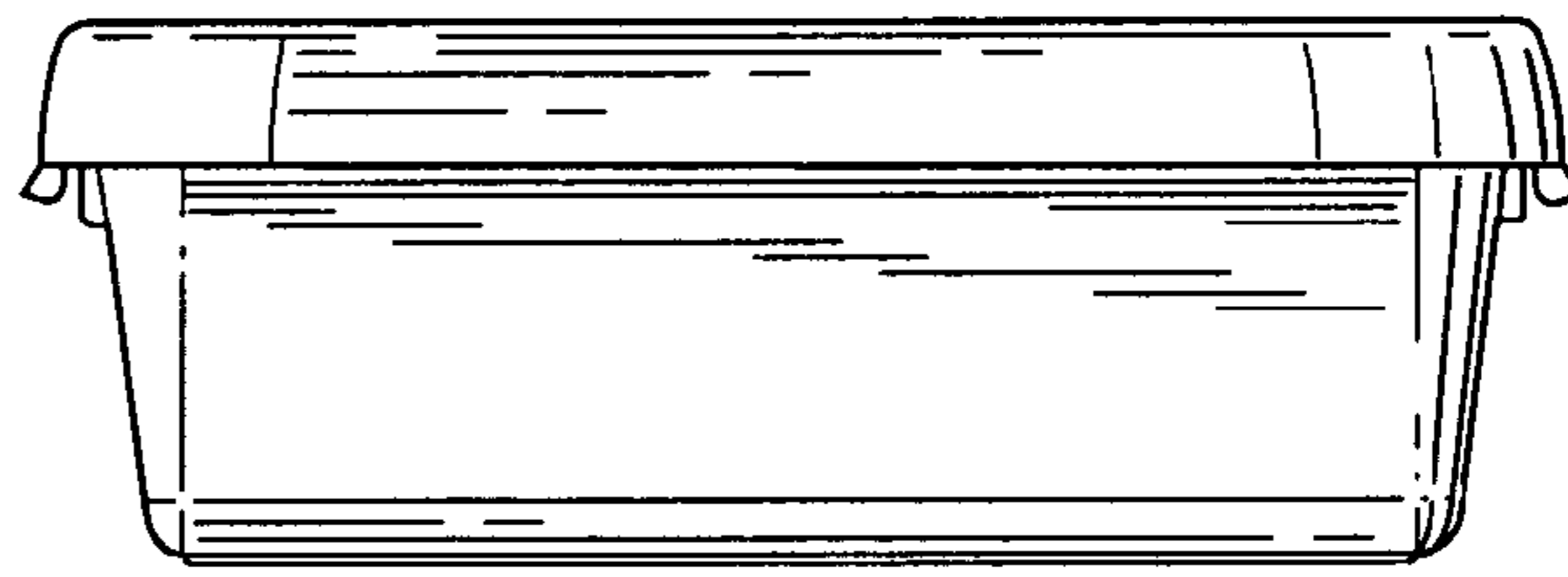


Fig. 15



Fig. 16

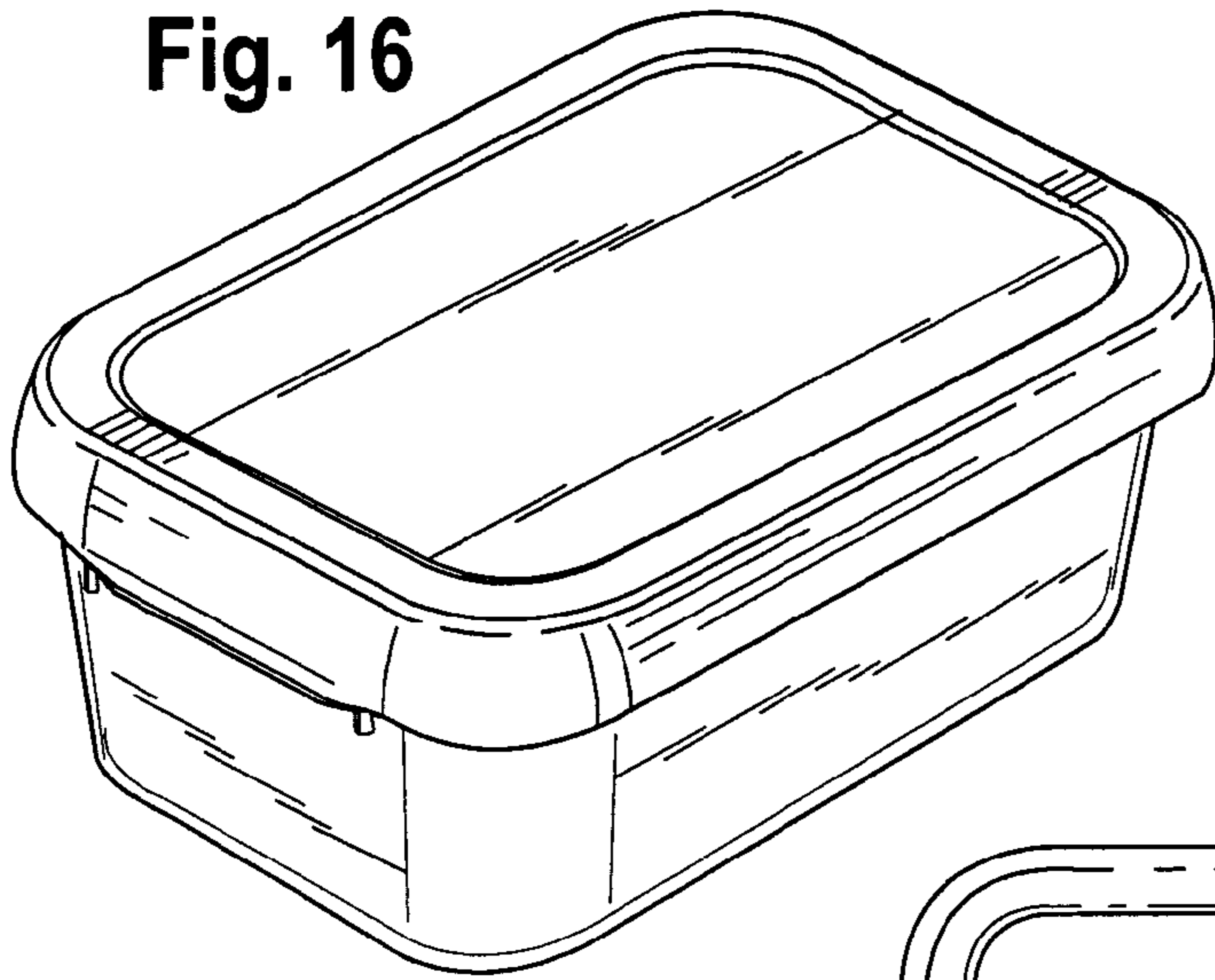


Fig. 18

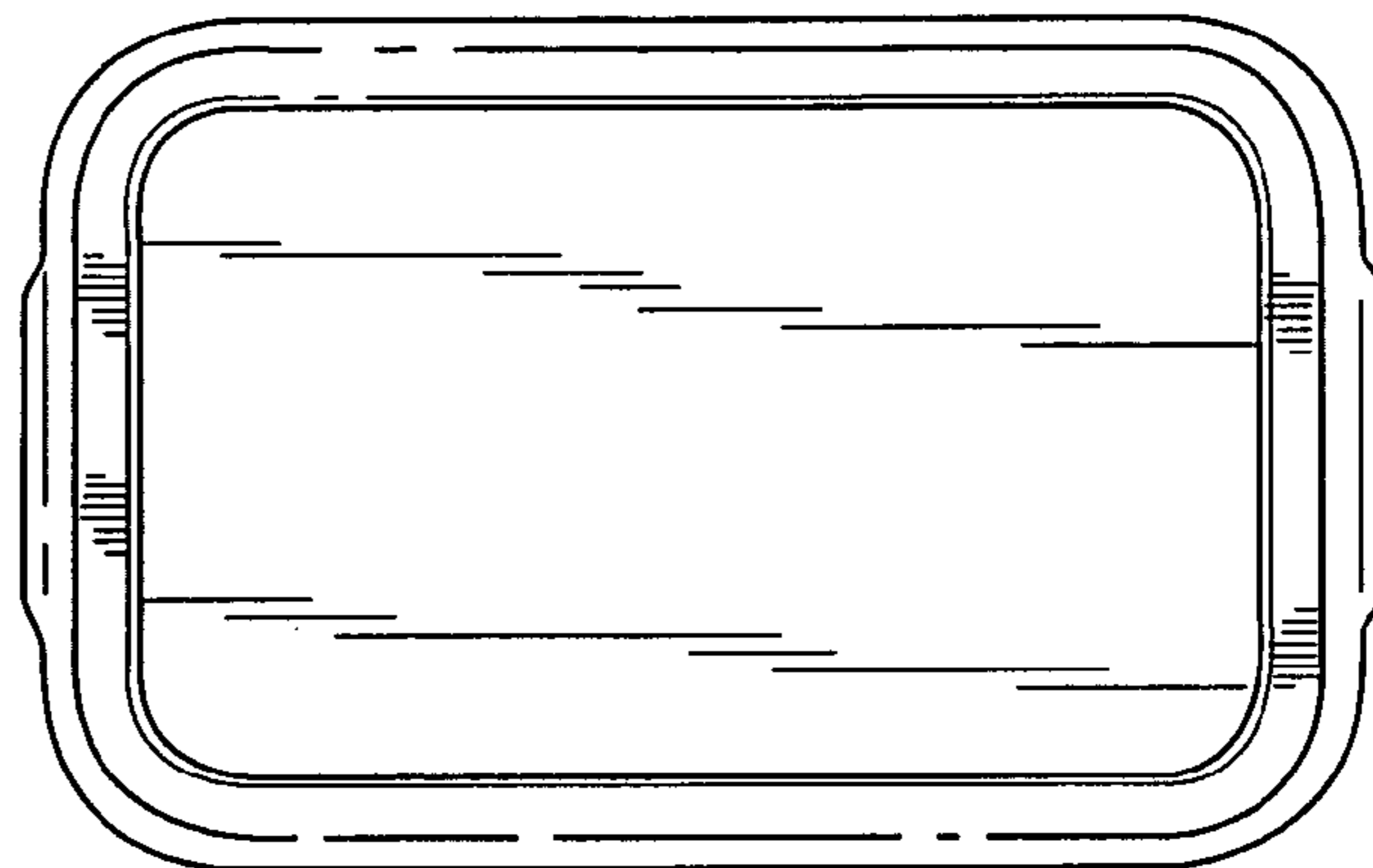


Fig. 17

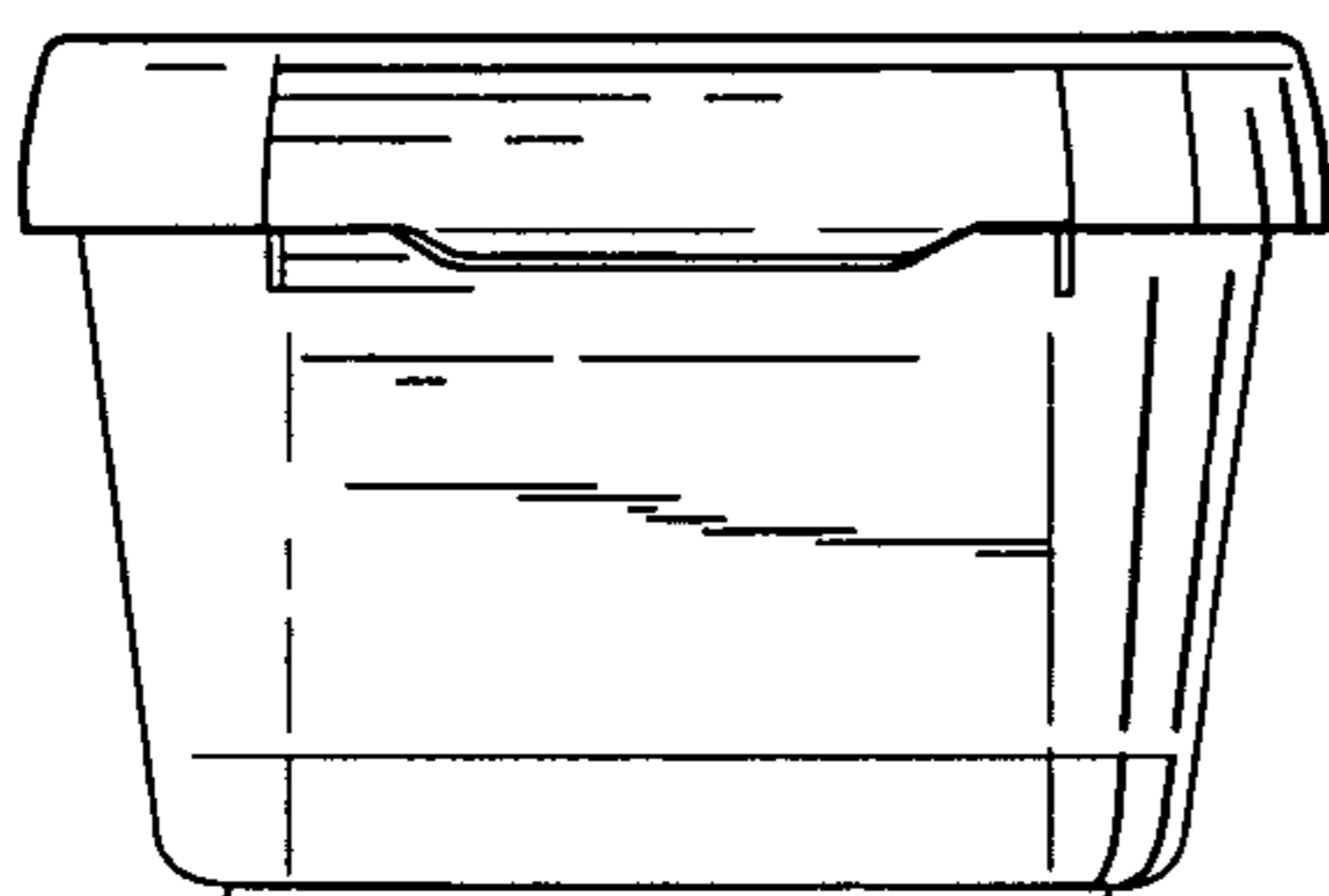


Fig. 19

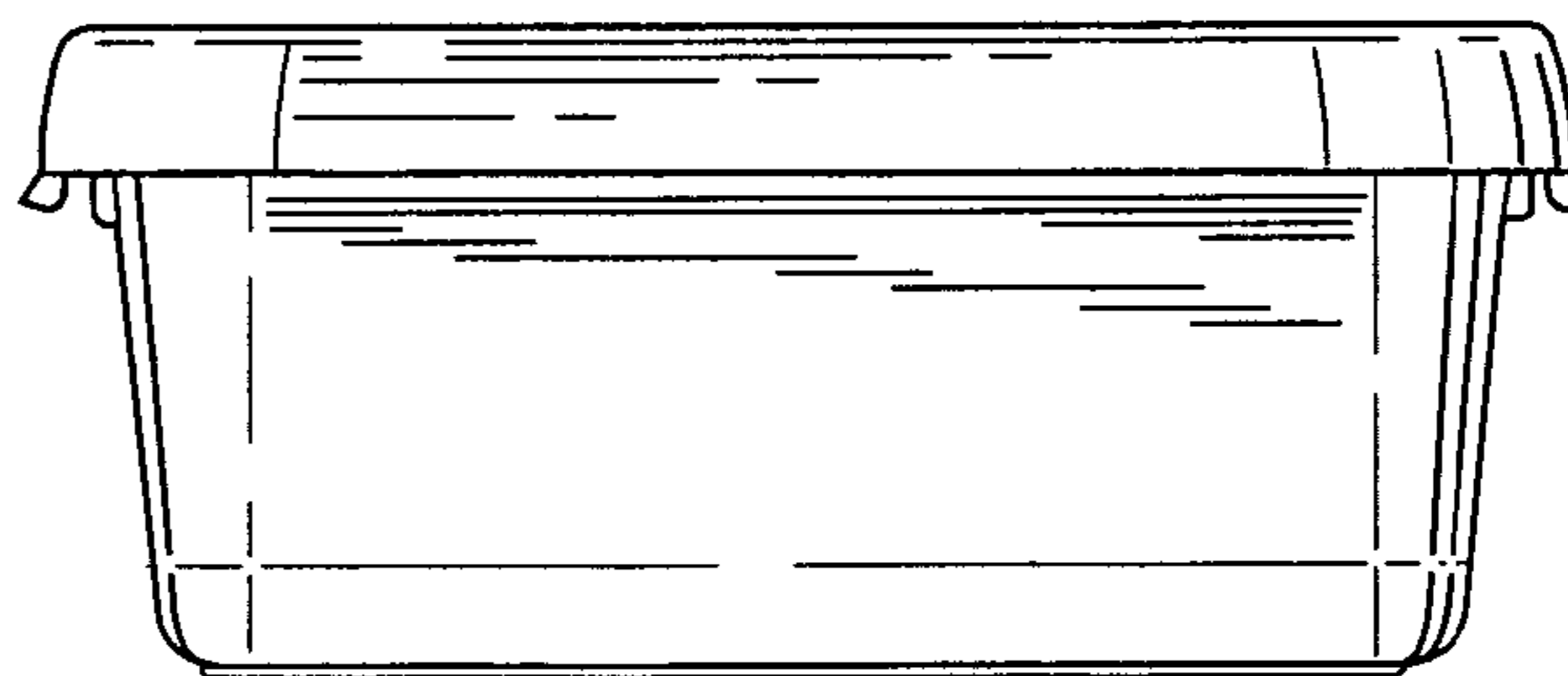


Fig. 20

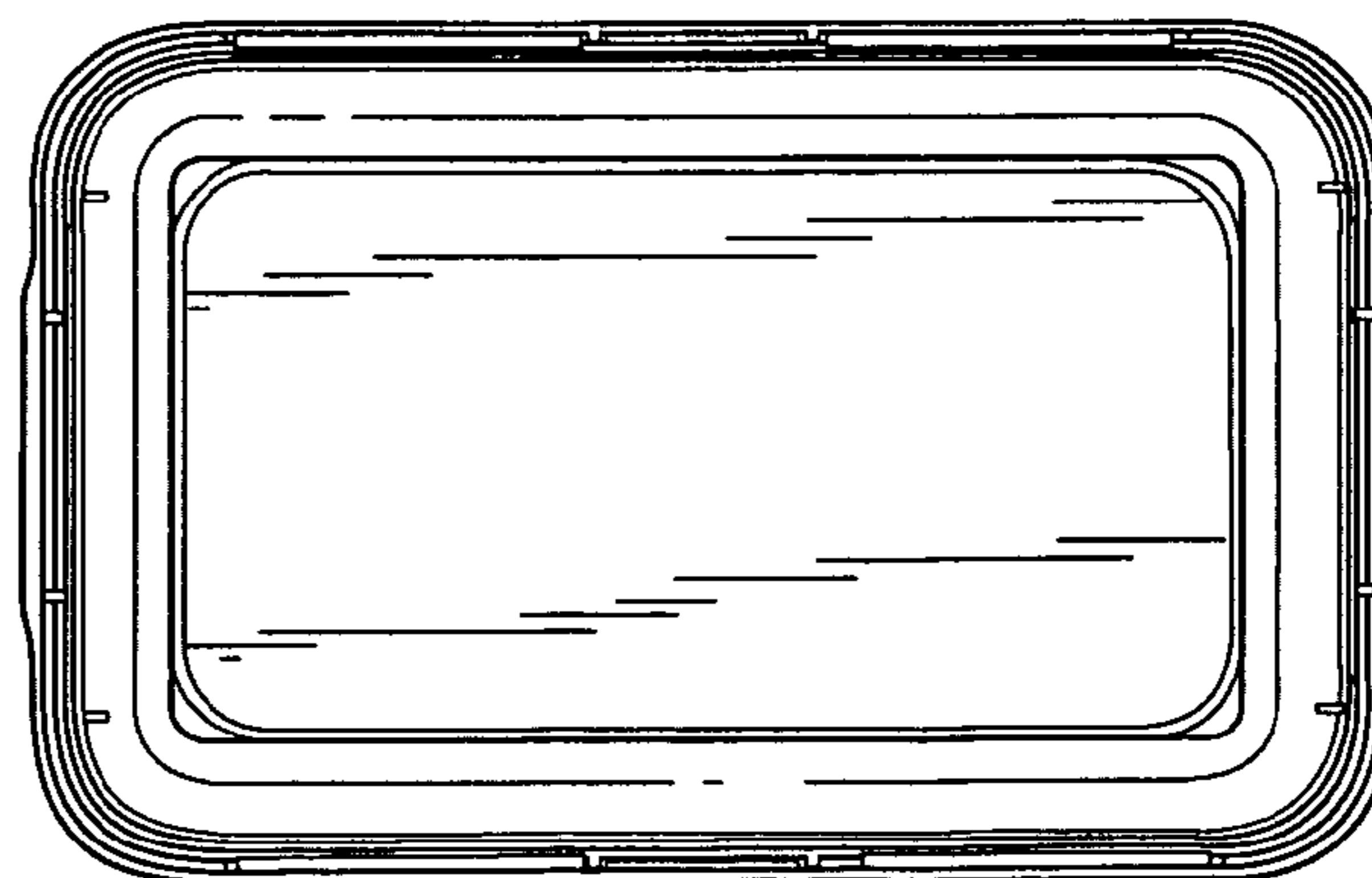


Fig. 21

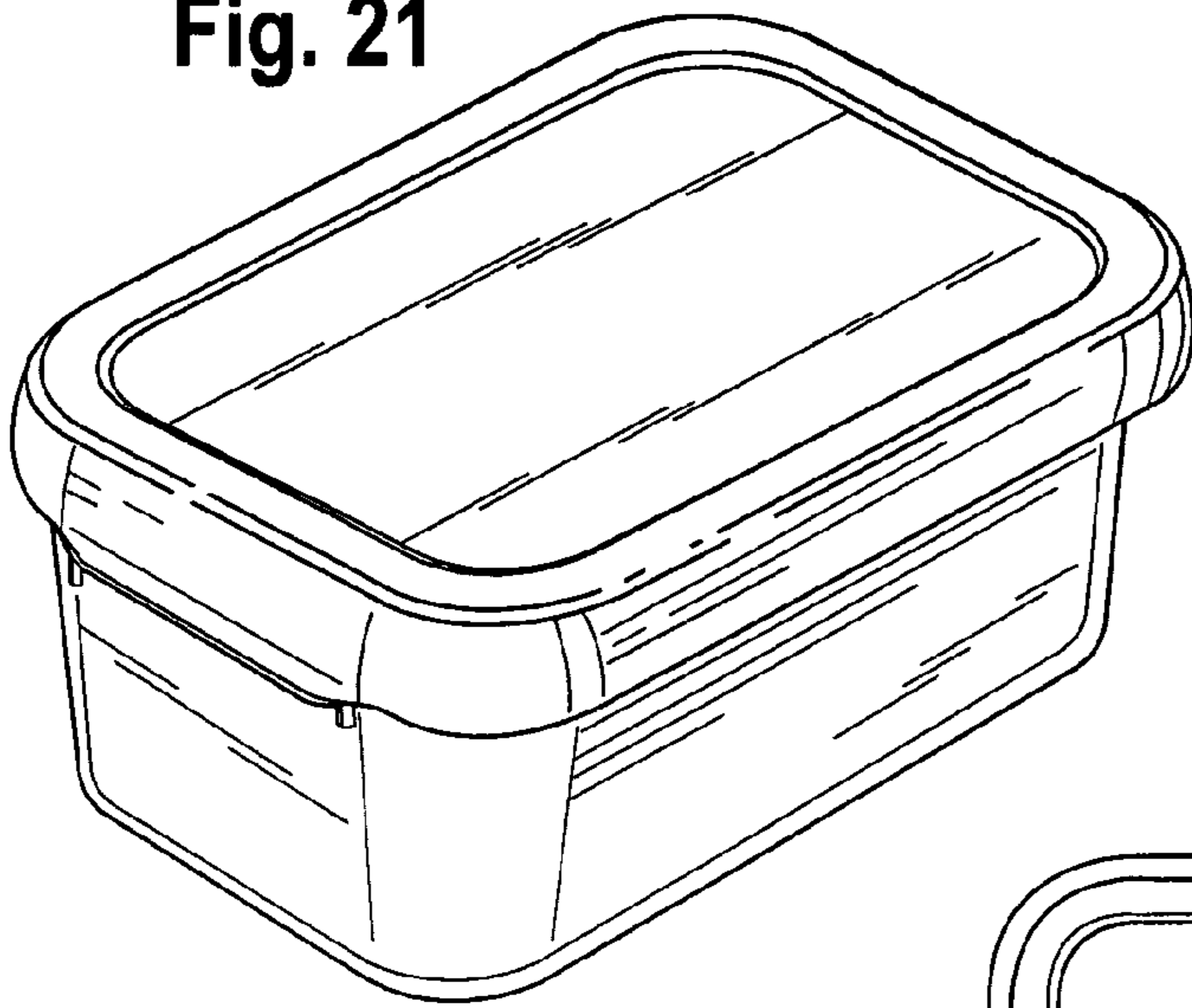


Fig. 23

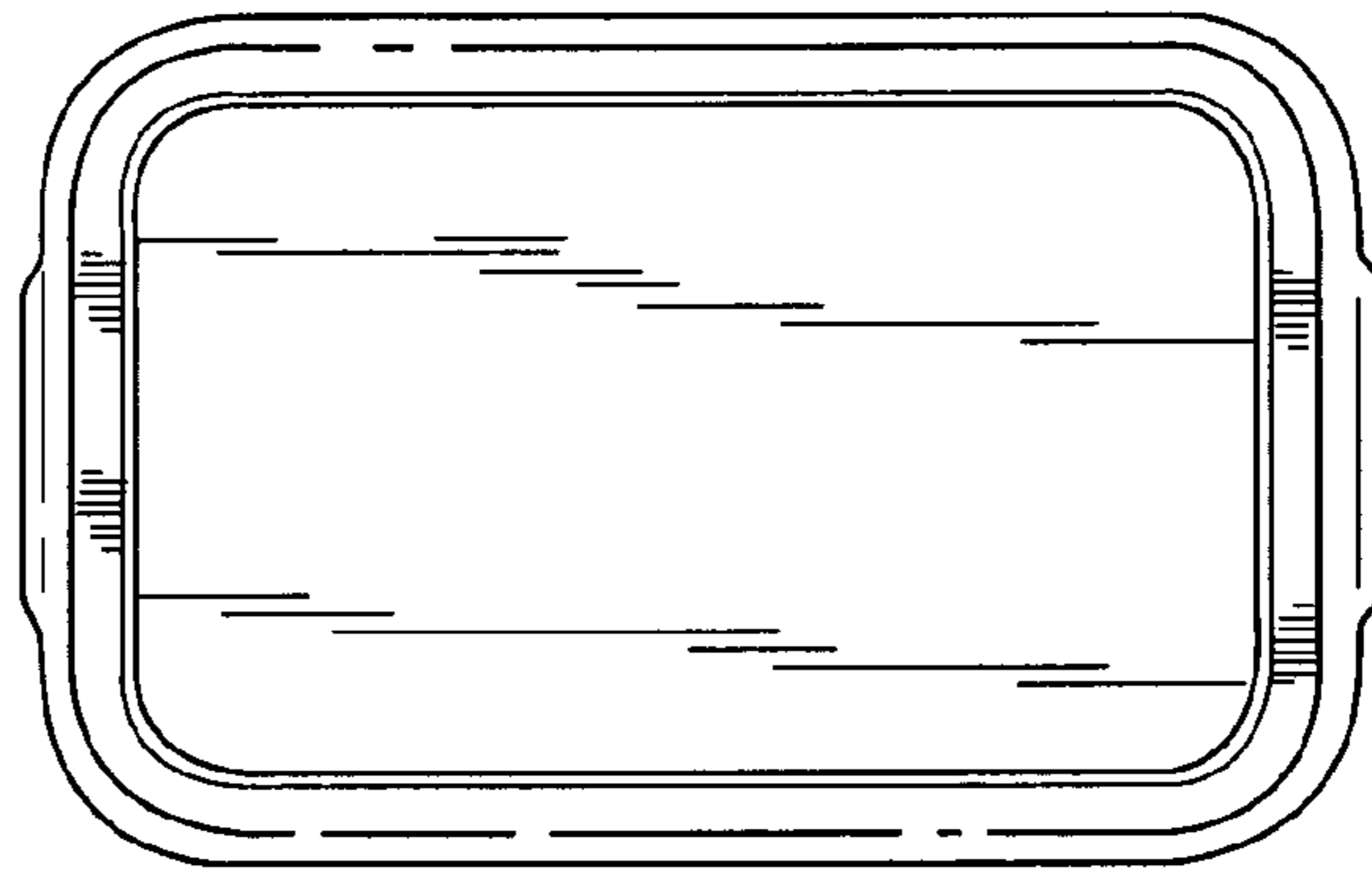


Fig. 22

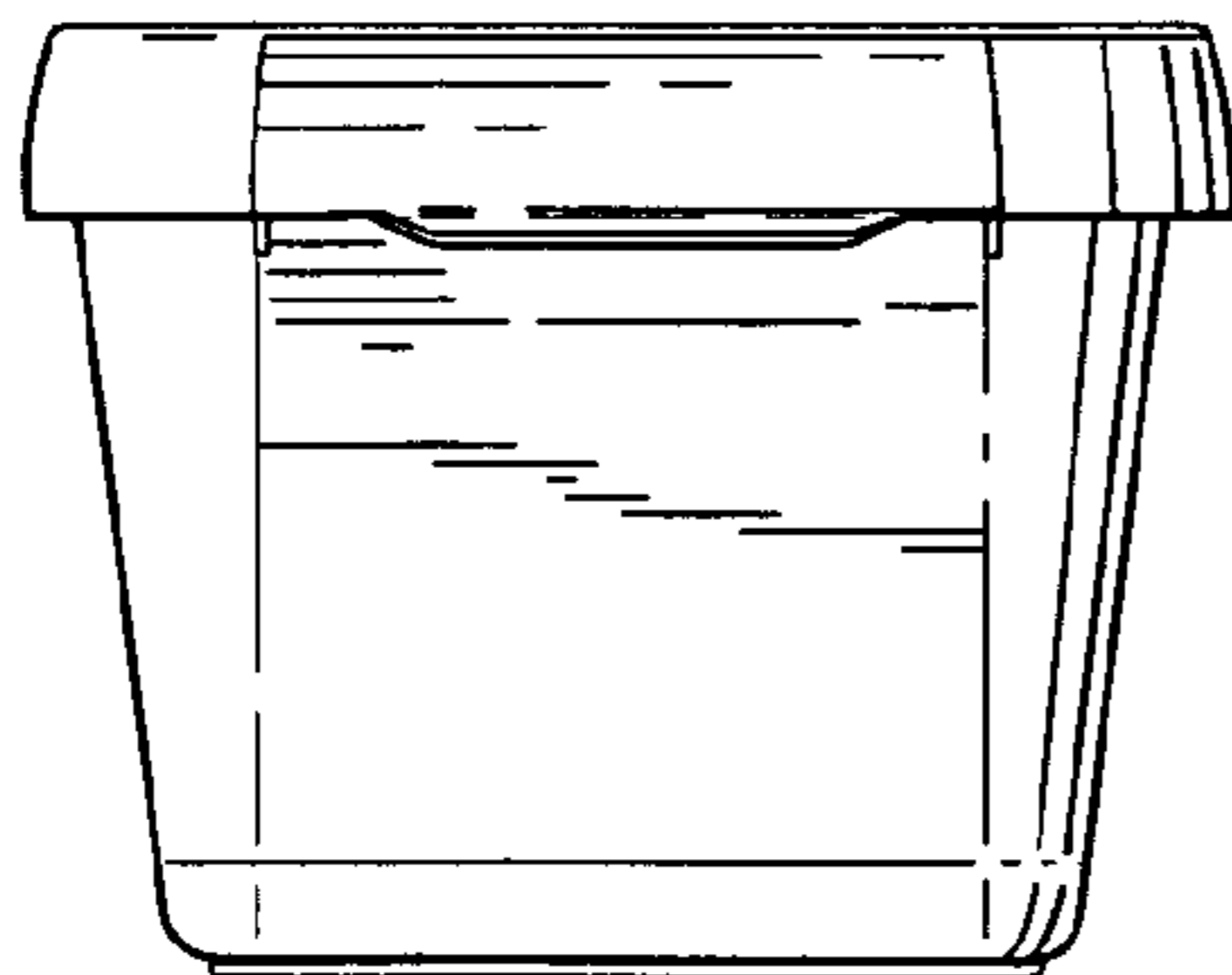


Fig. 24

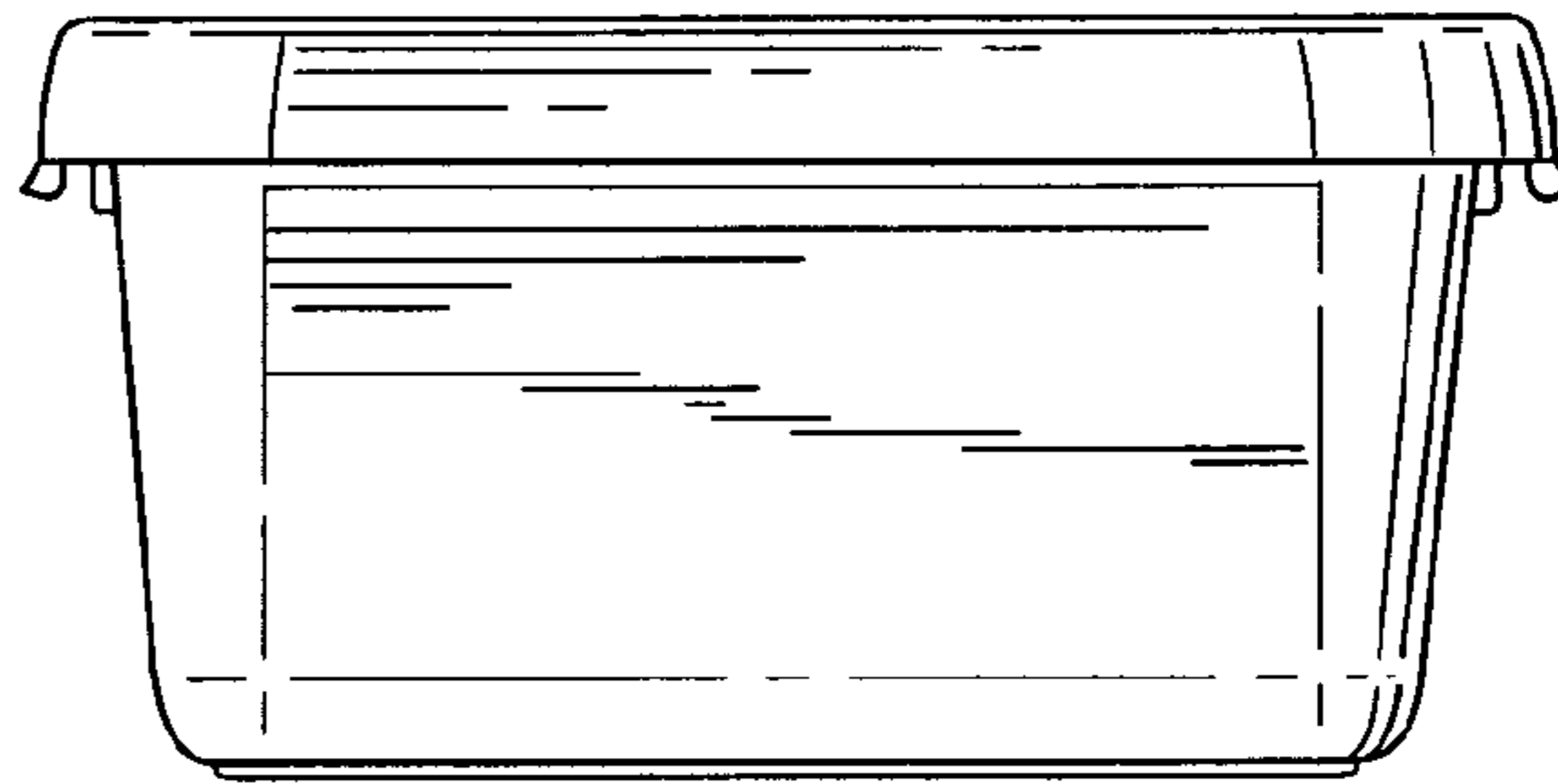


Fig. 25

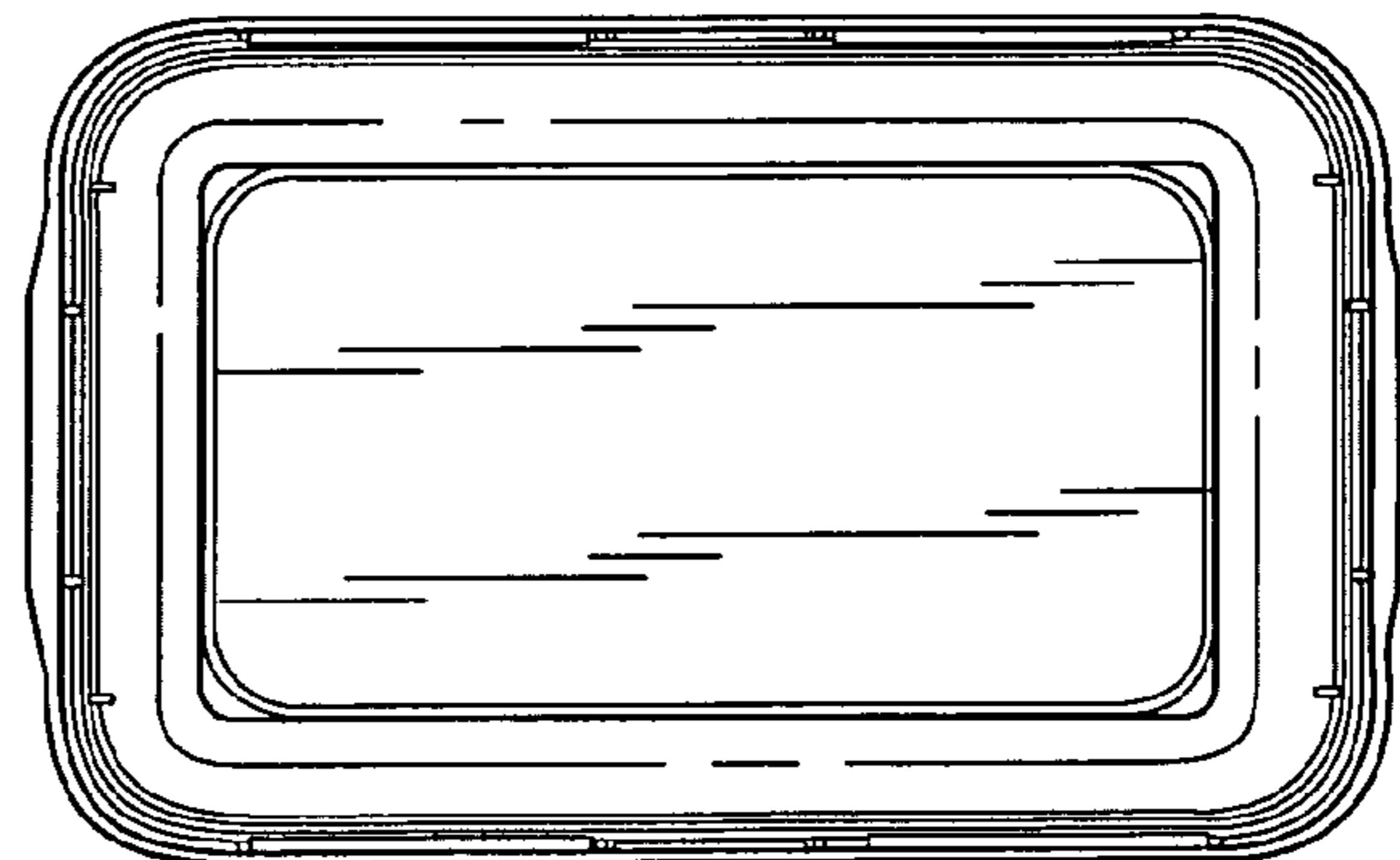


Fig. 26

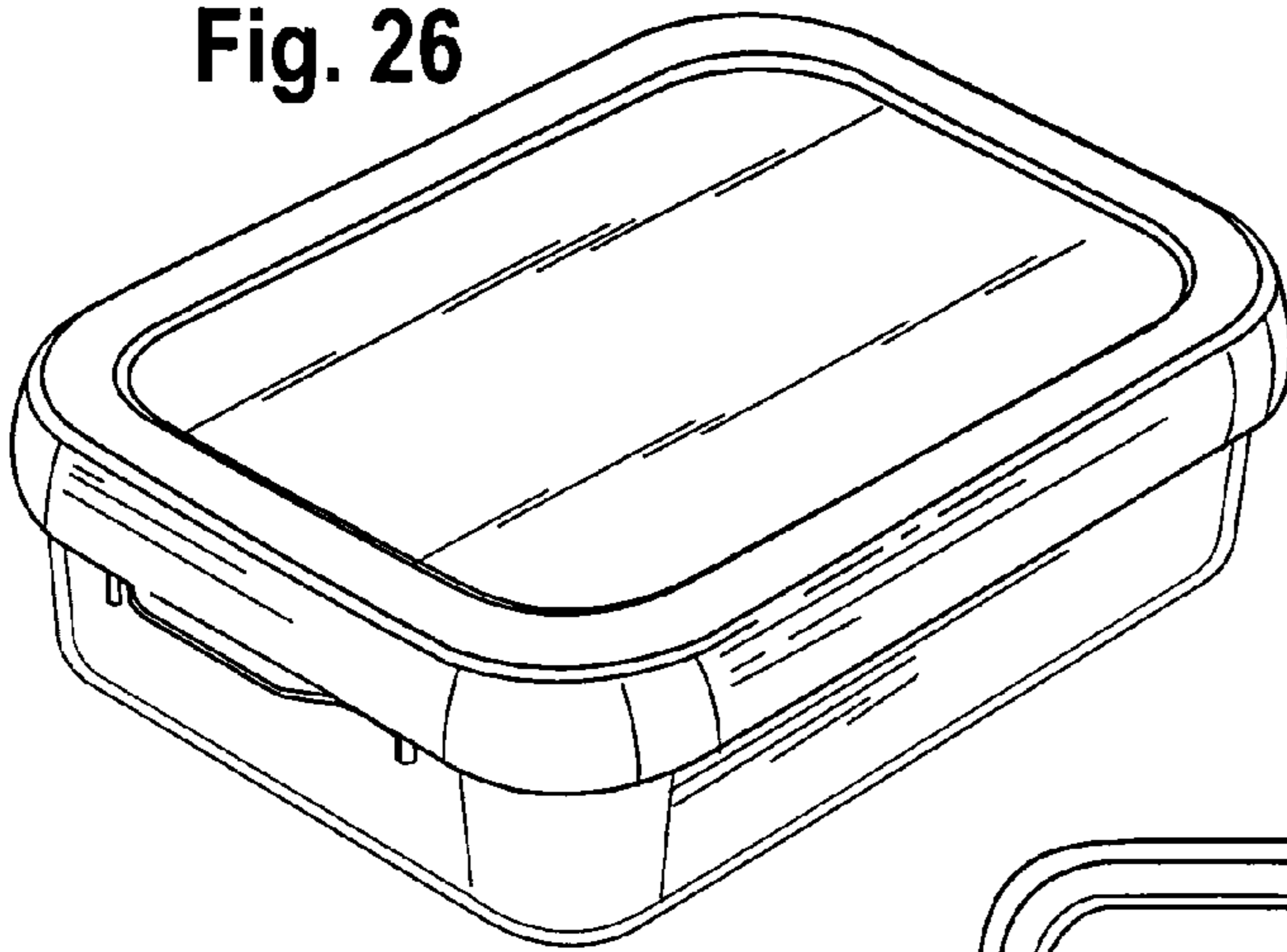


Fig. 28

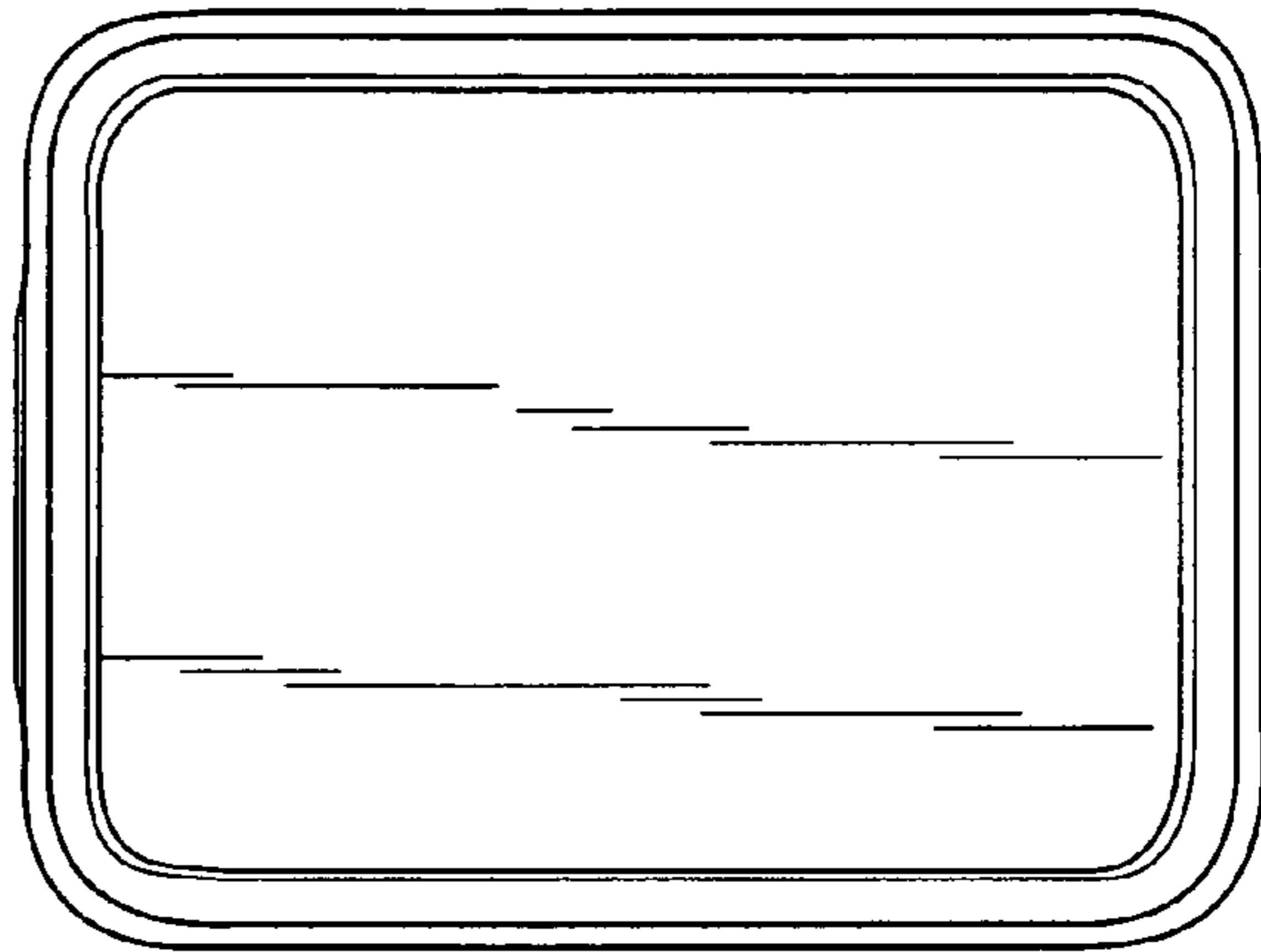


Fig. 27

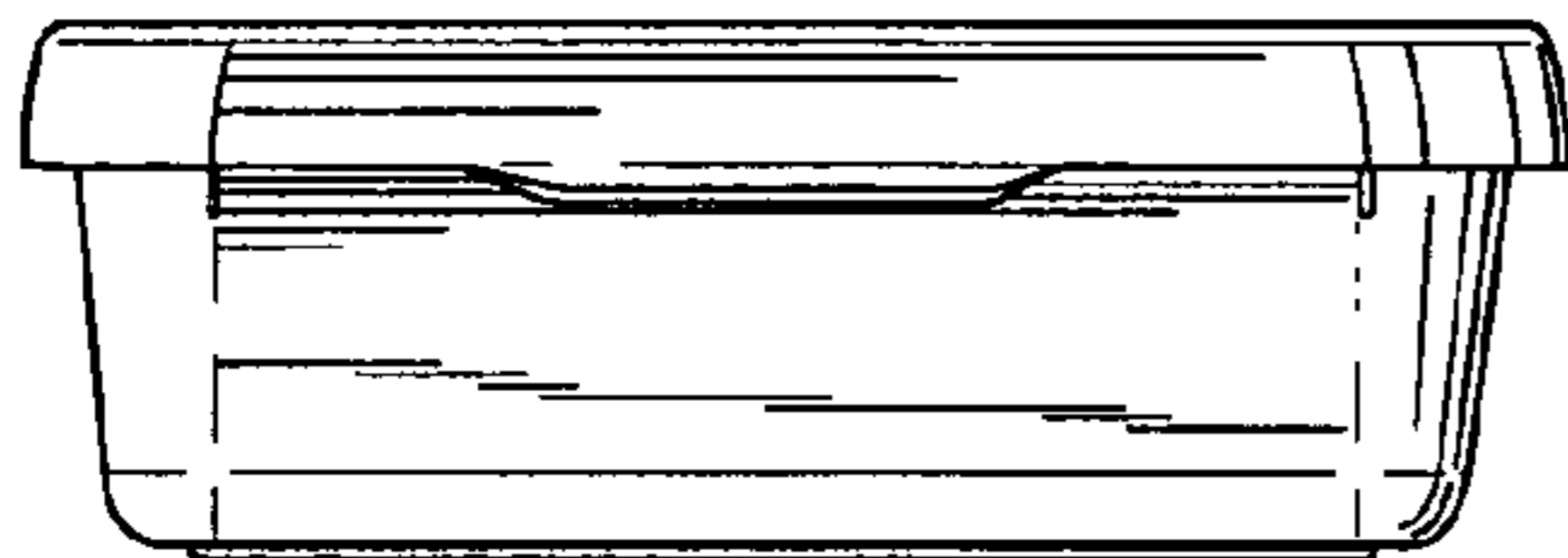


Fig. 29

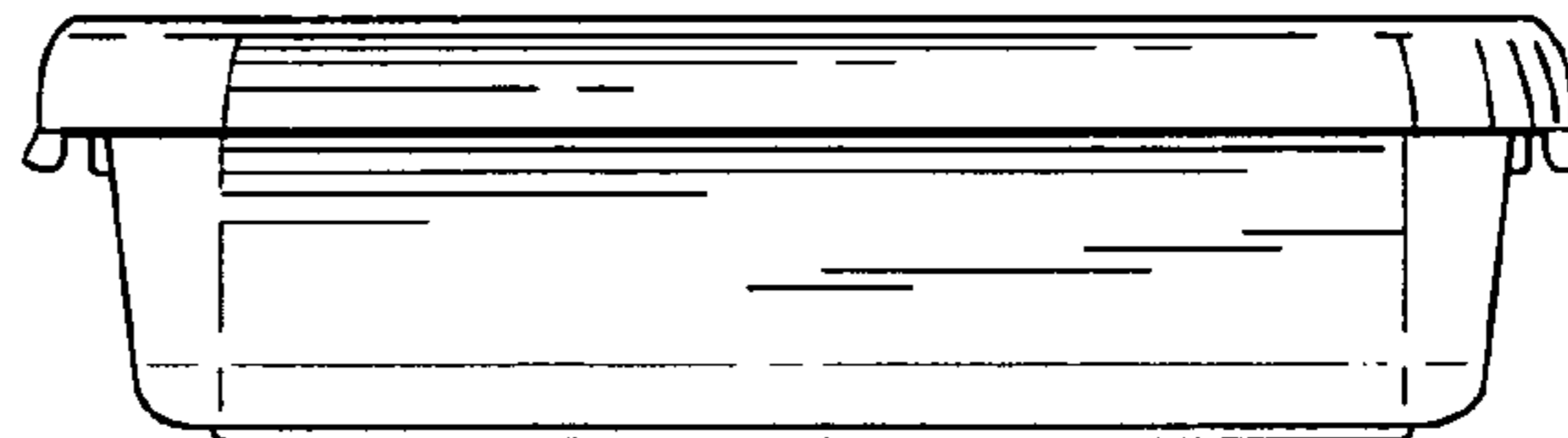


Fig. 30

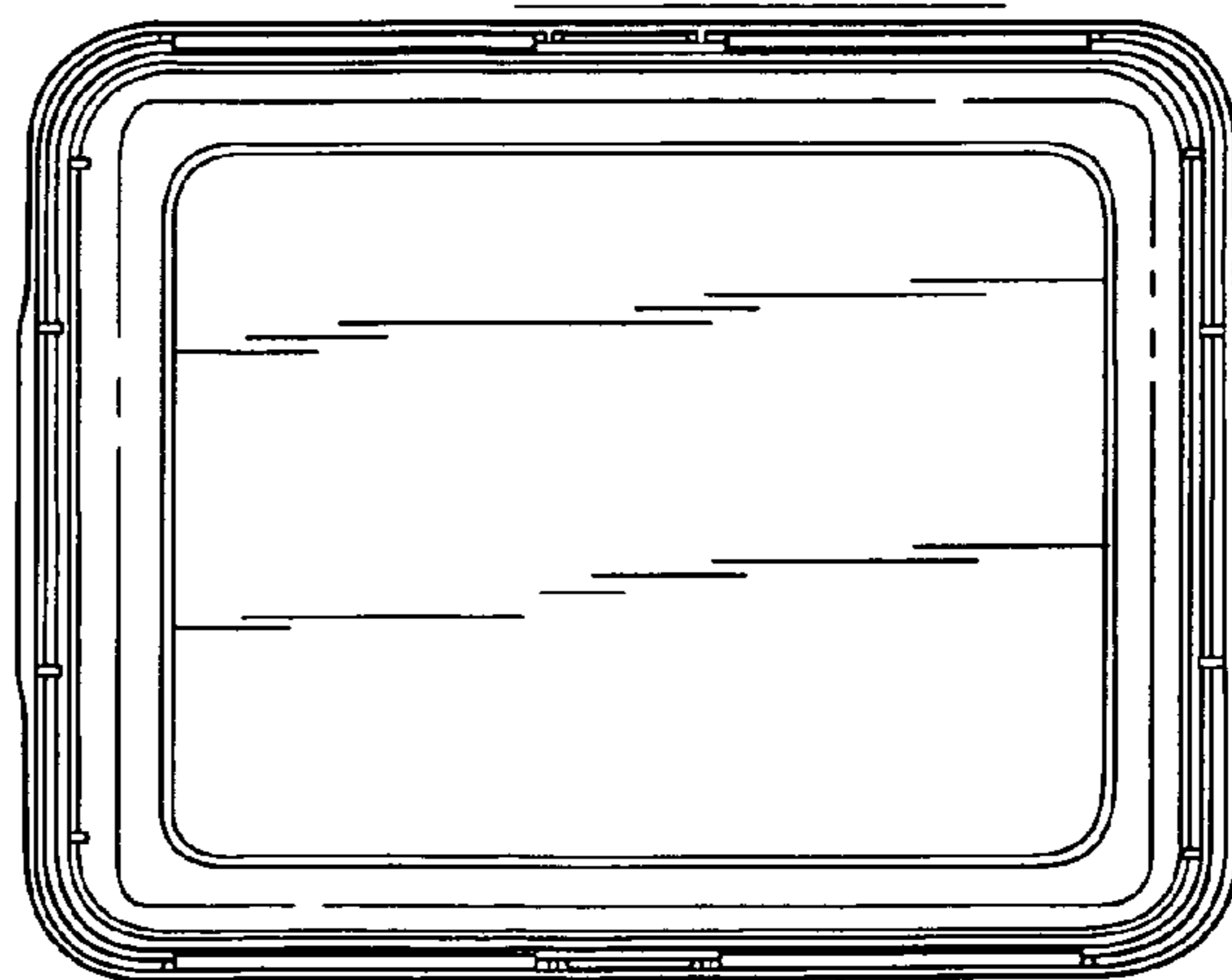


Fig. 31

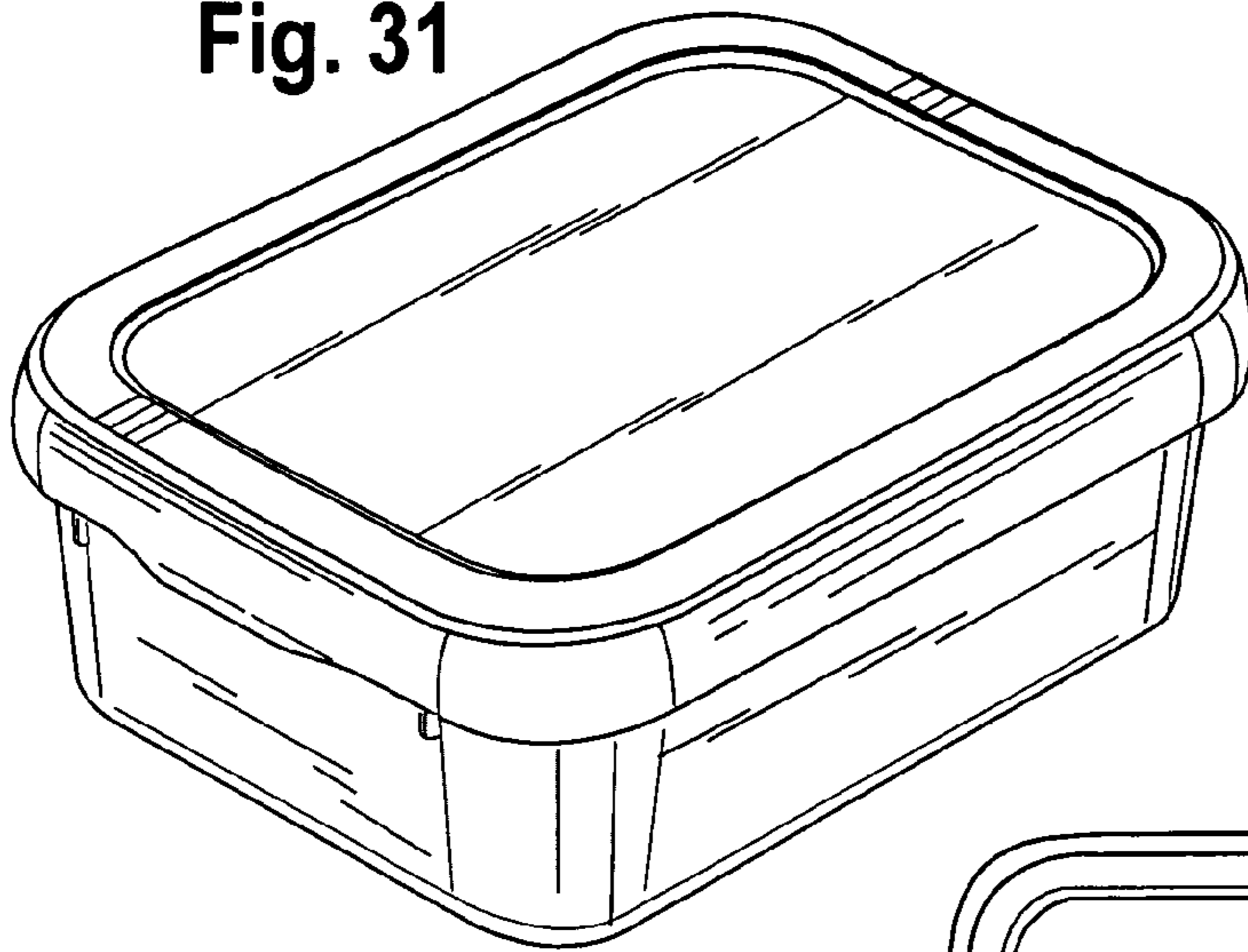


Fig. 33

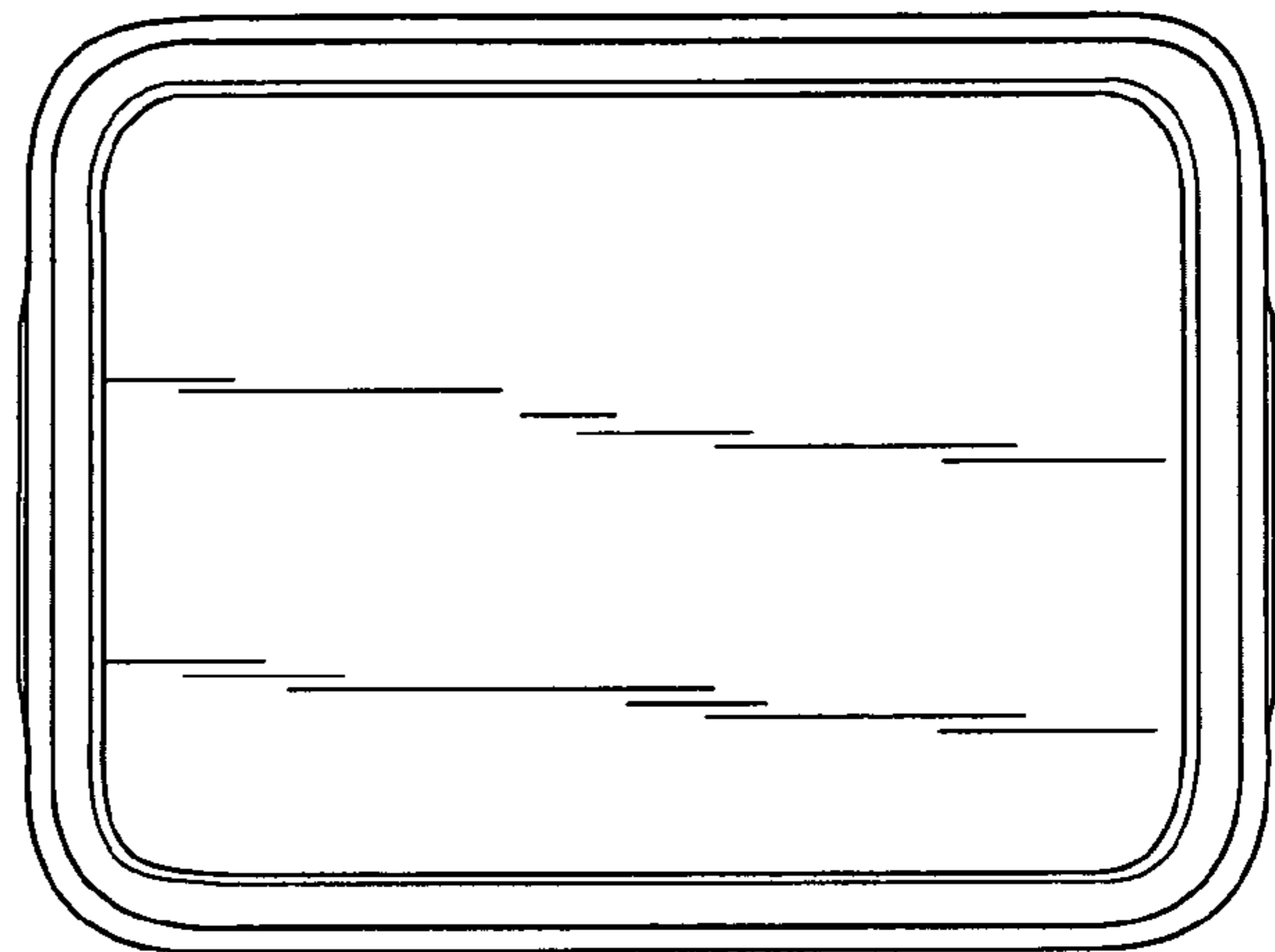


Fig. 32

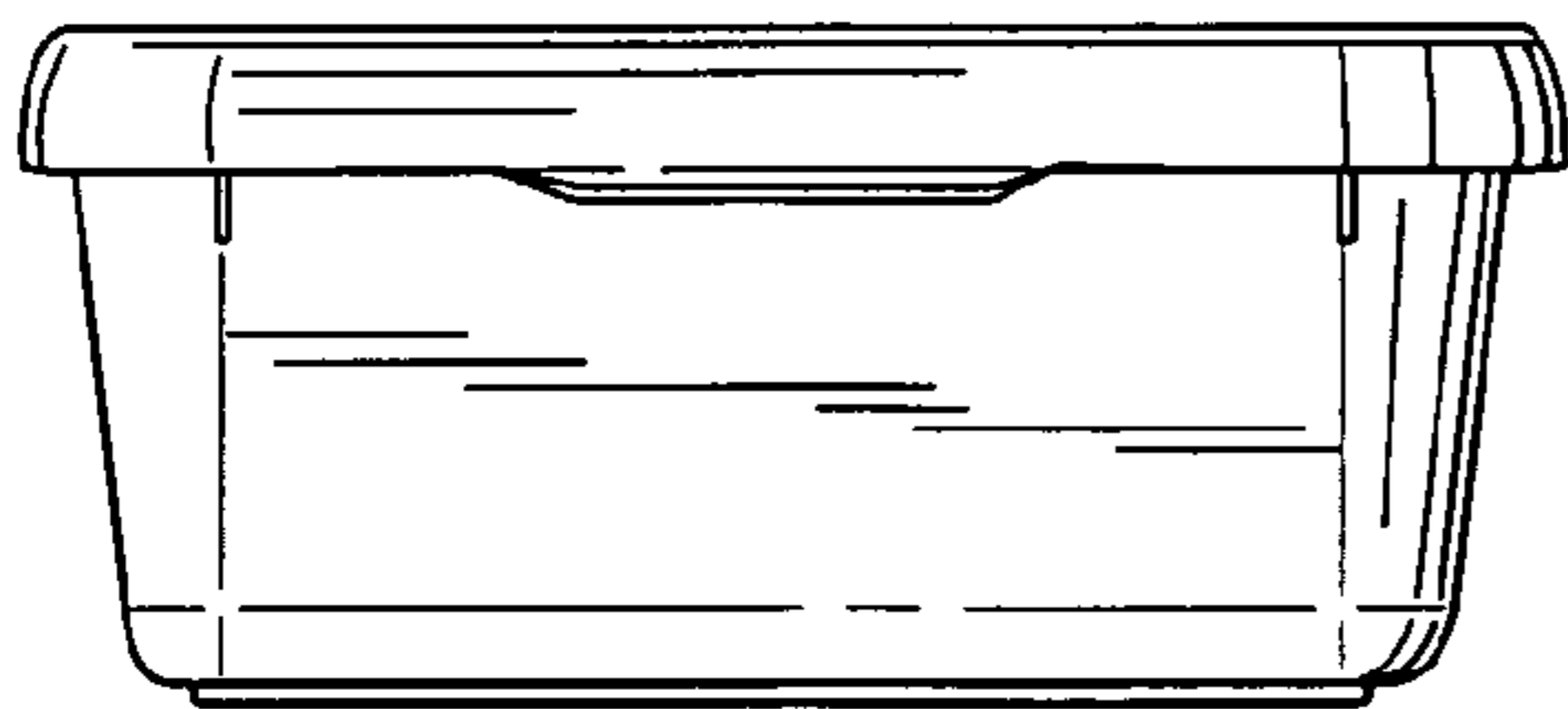


Fig. 34

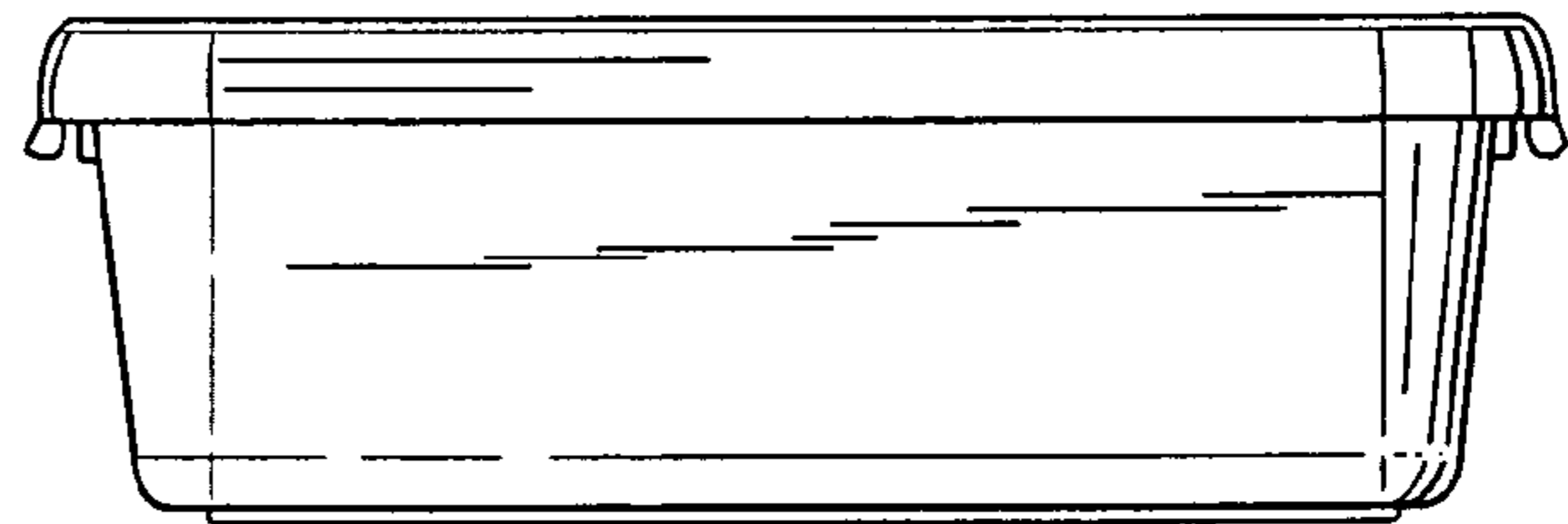


Fig. 35

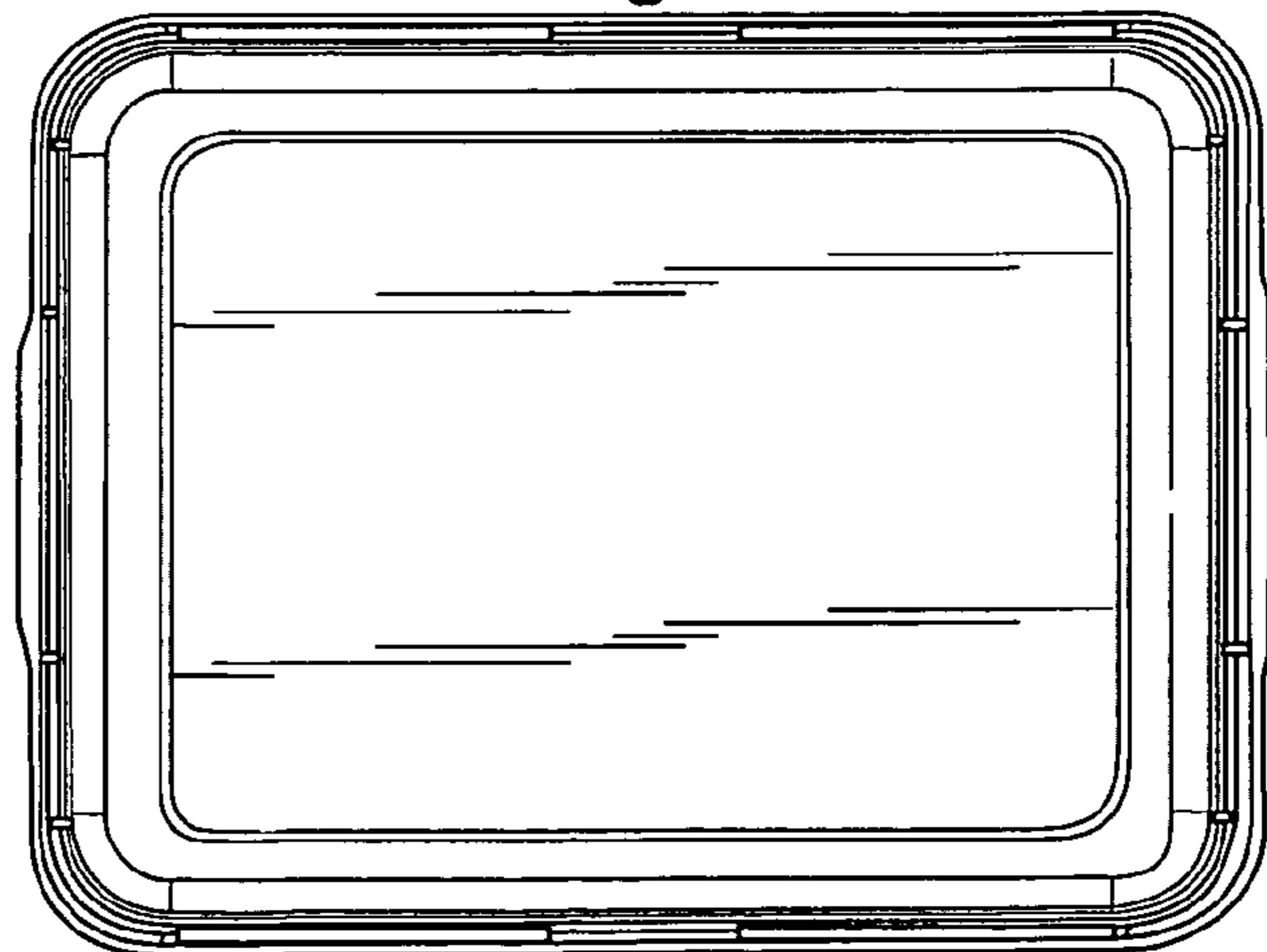


Fig. 36

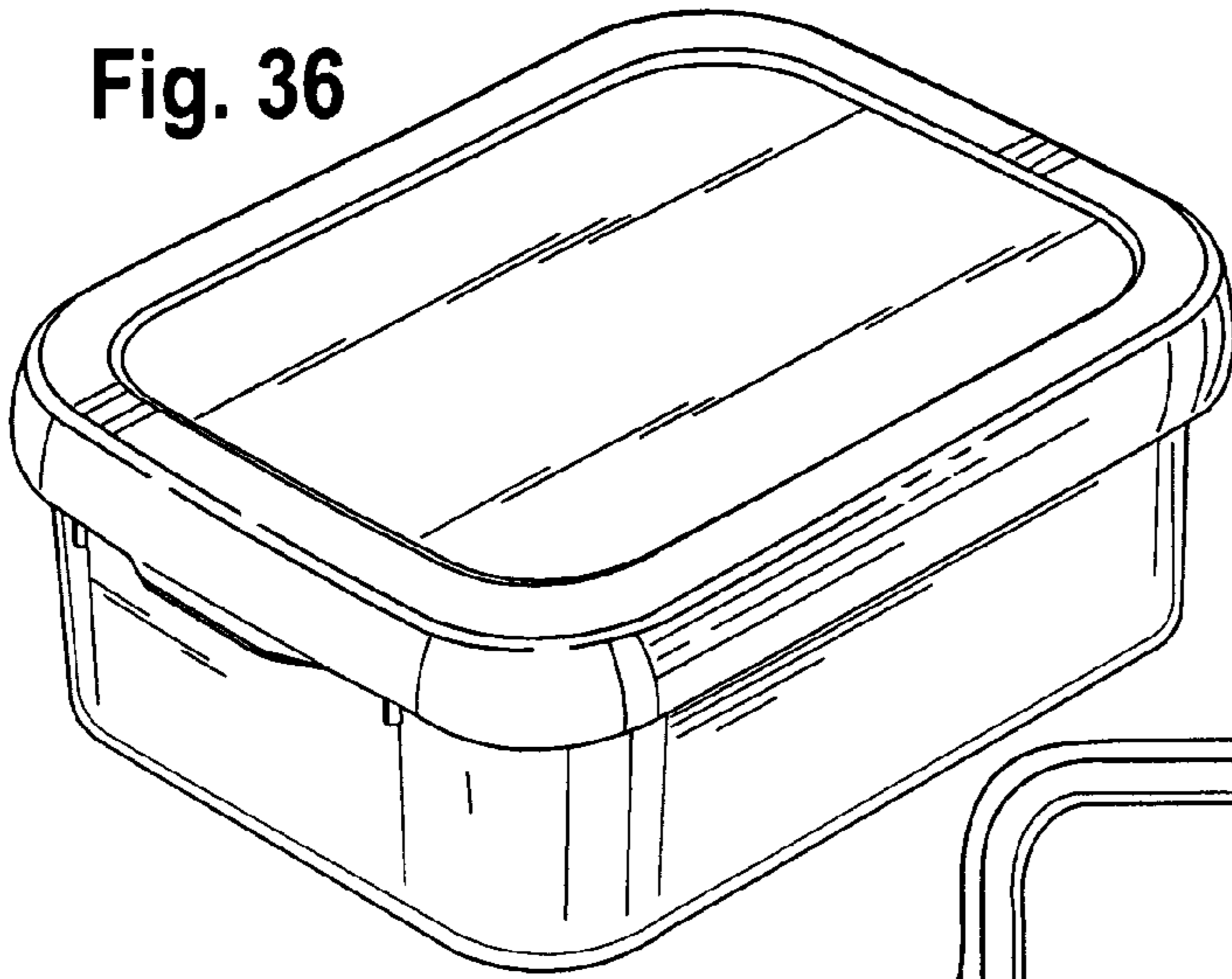


Fig. 38

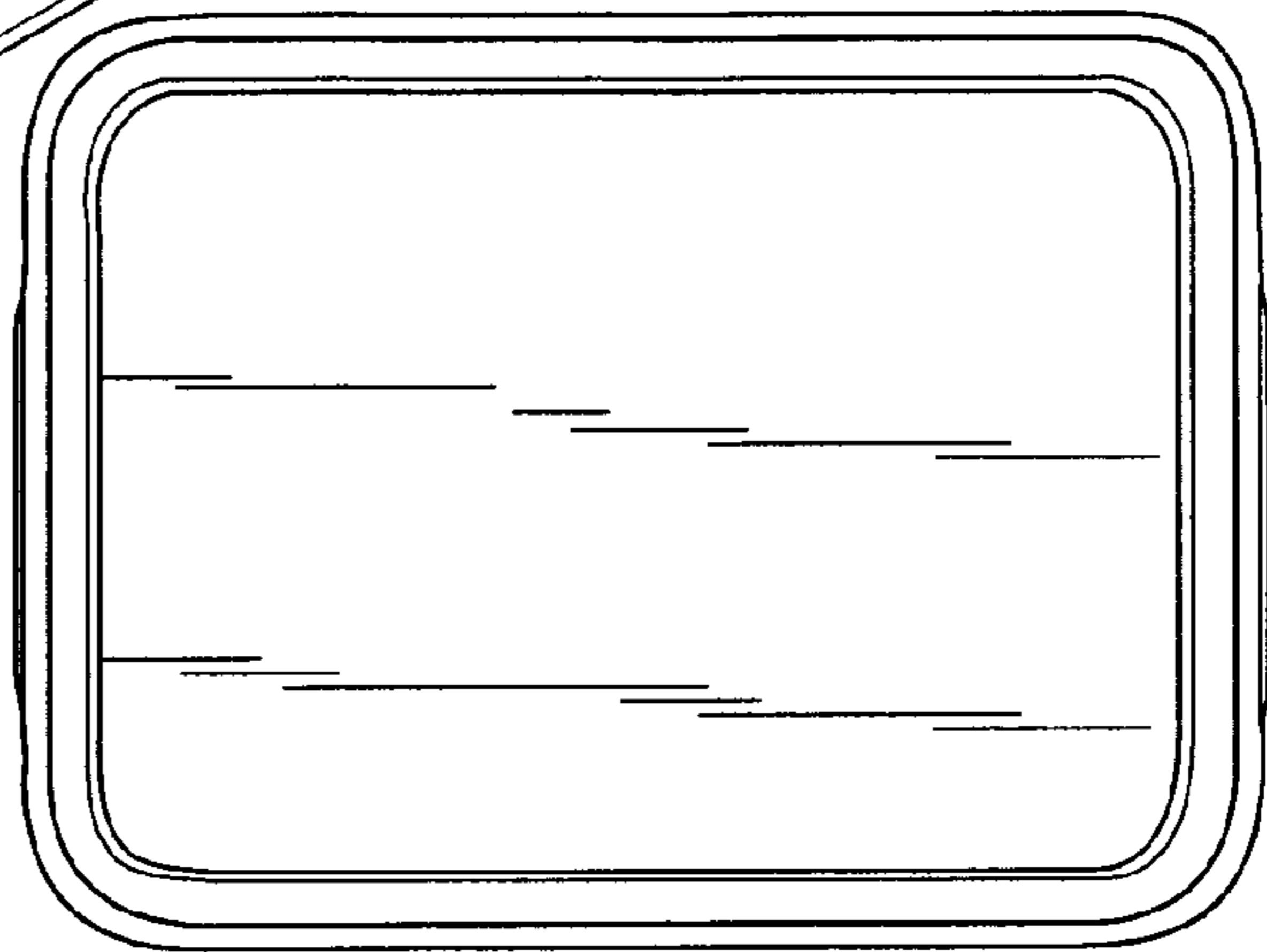


Fig. 37

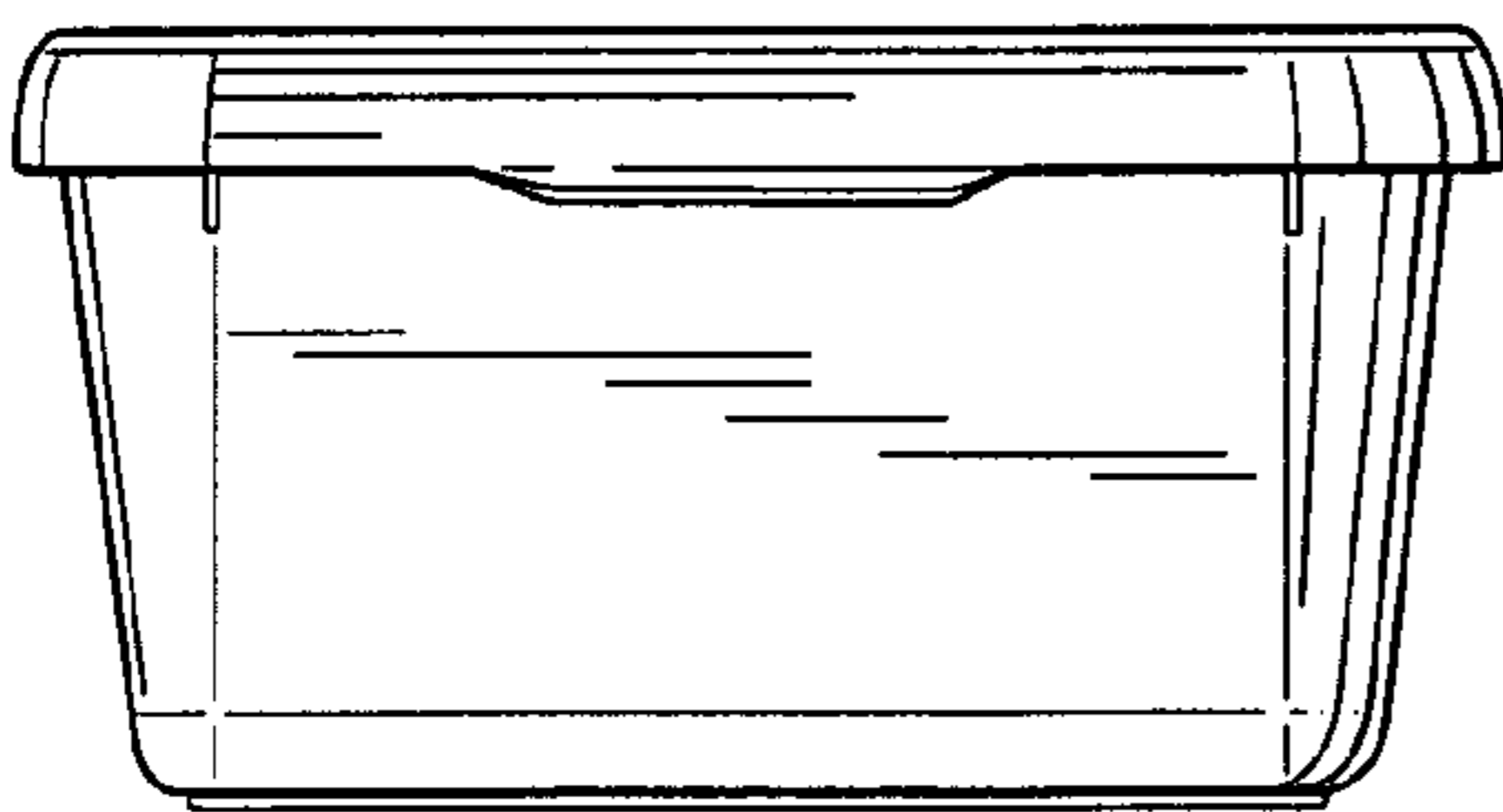


Fig. 39

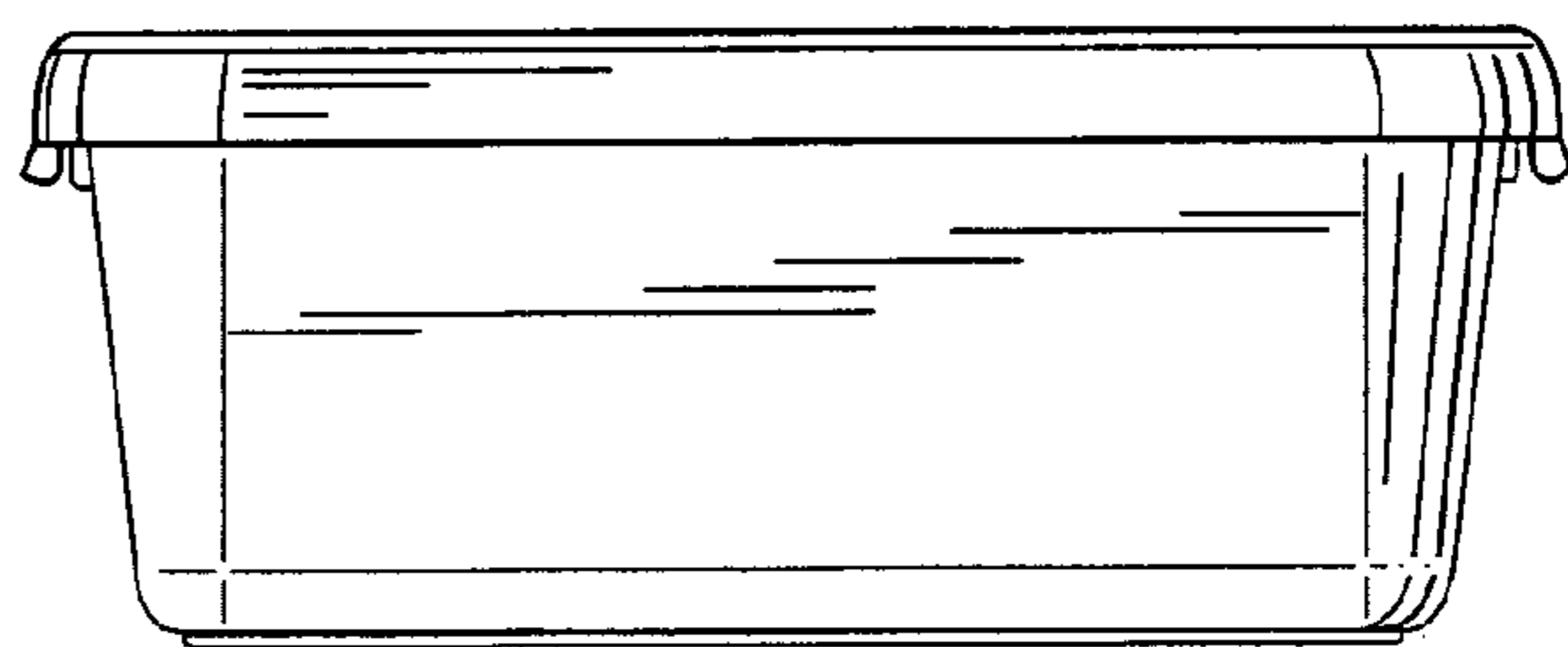


Fig. 40

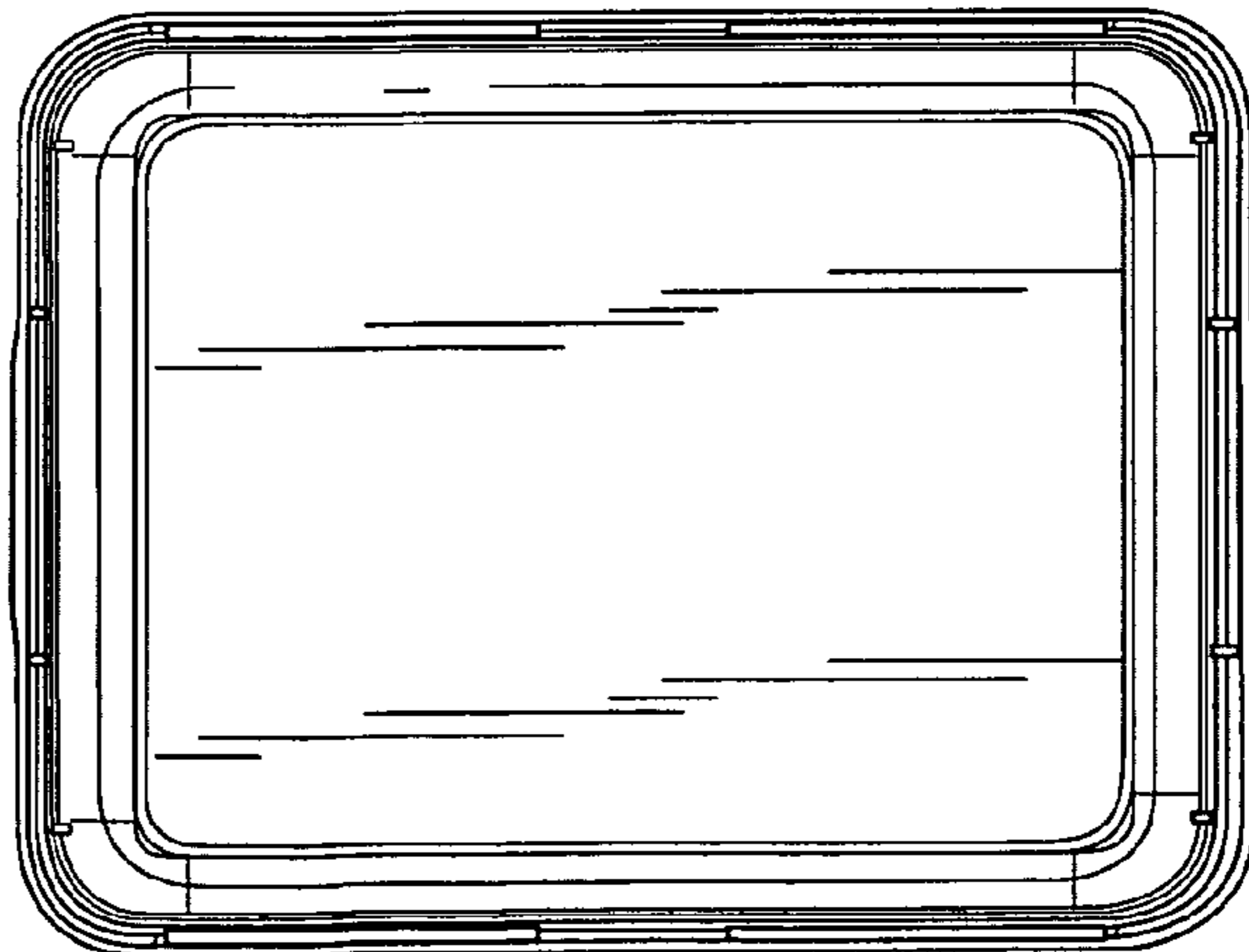


Fig. 41

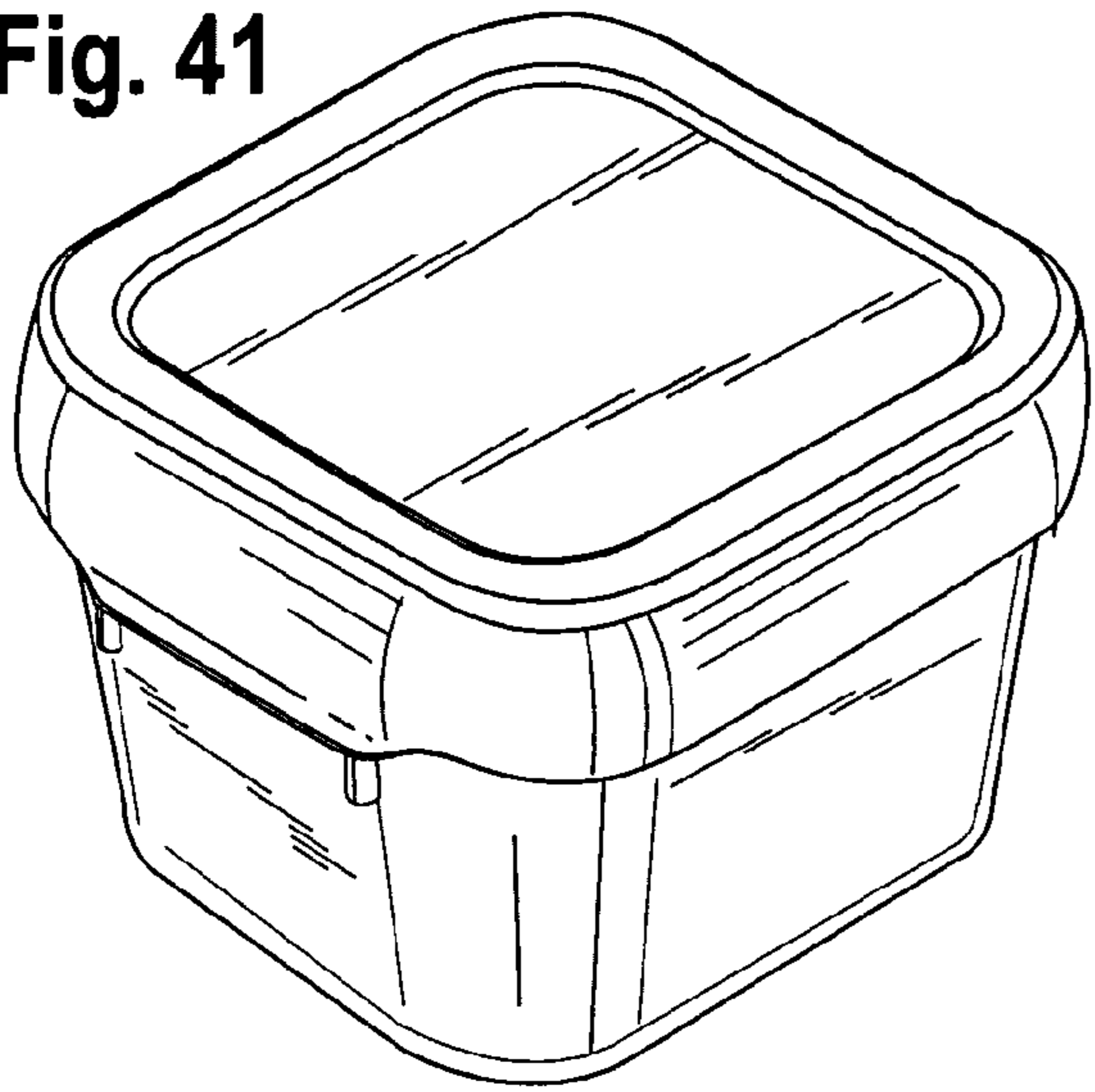


Fig. 43

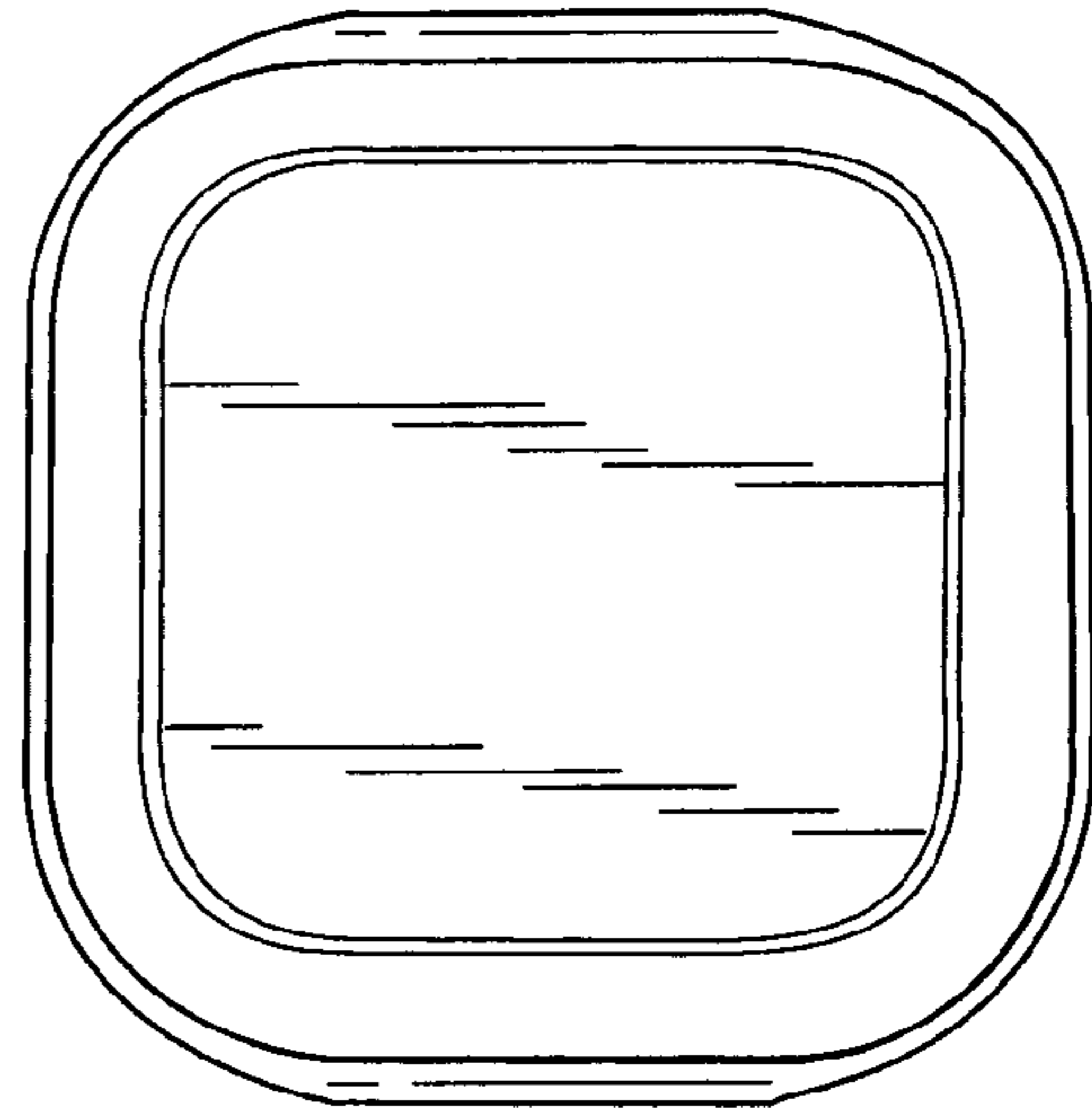


Fig. 42

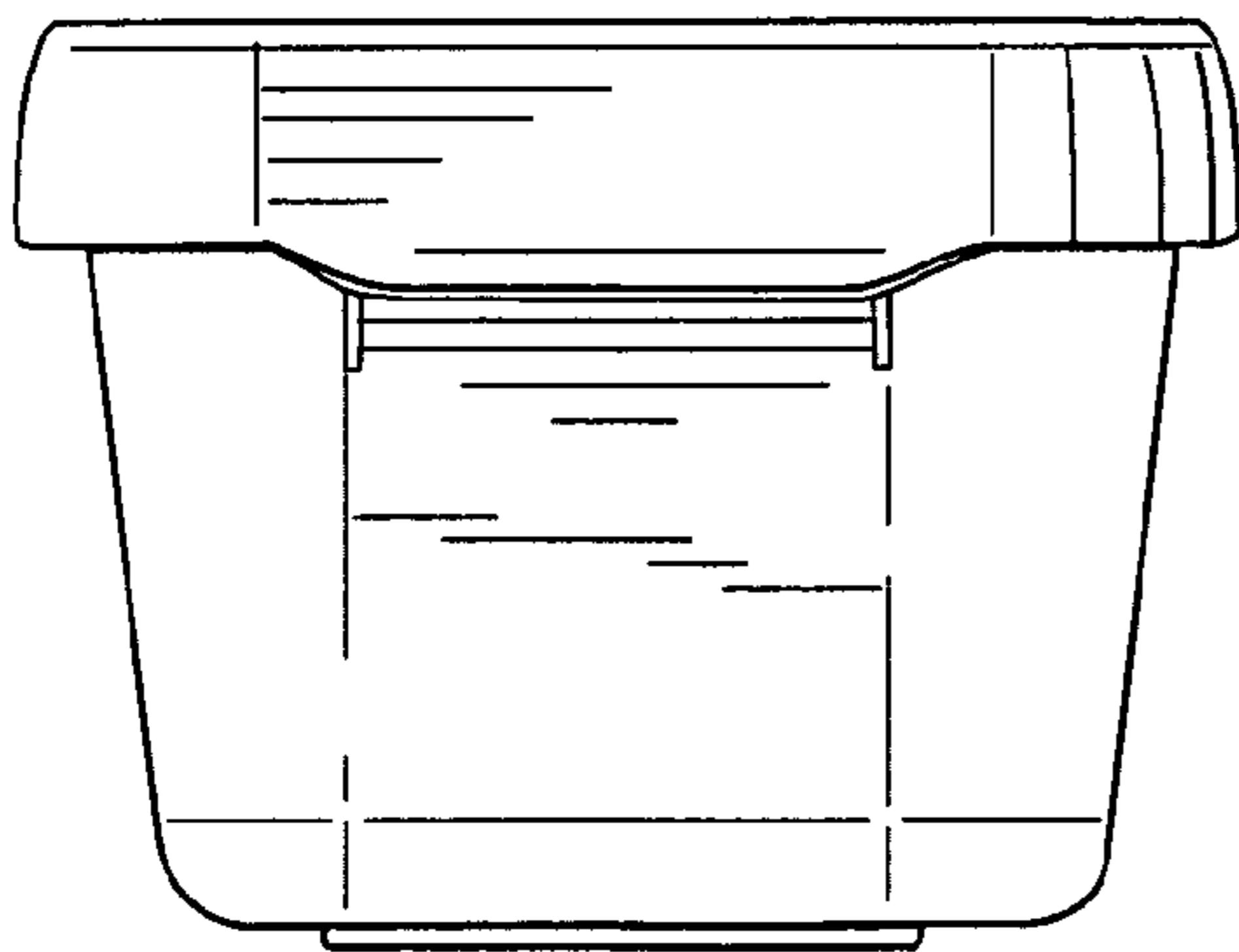


Fig. 44

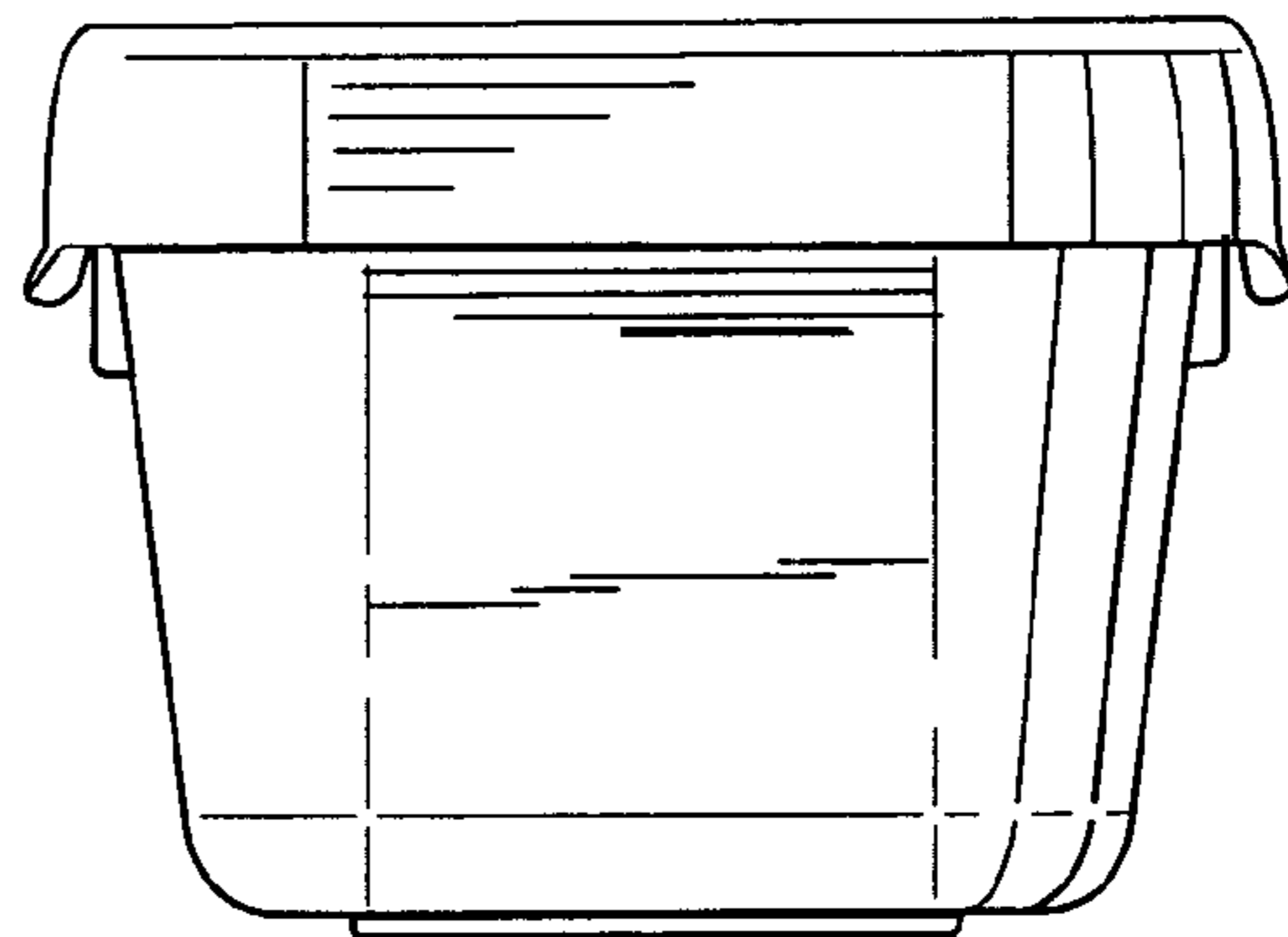


Fig. 45

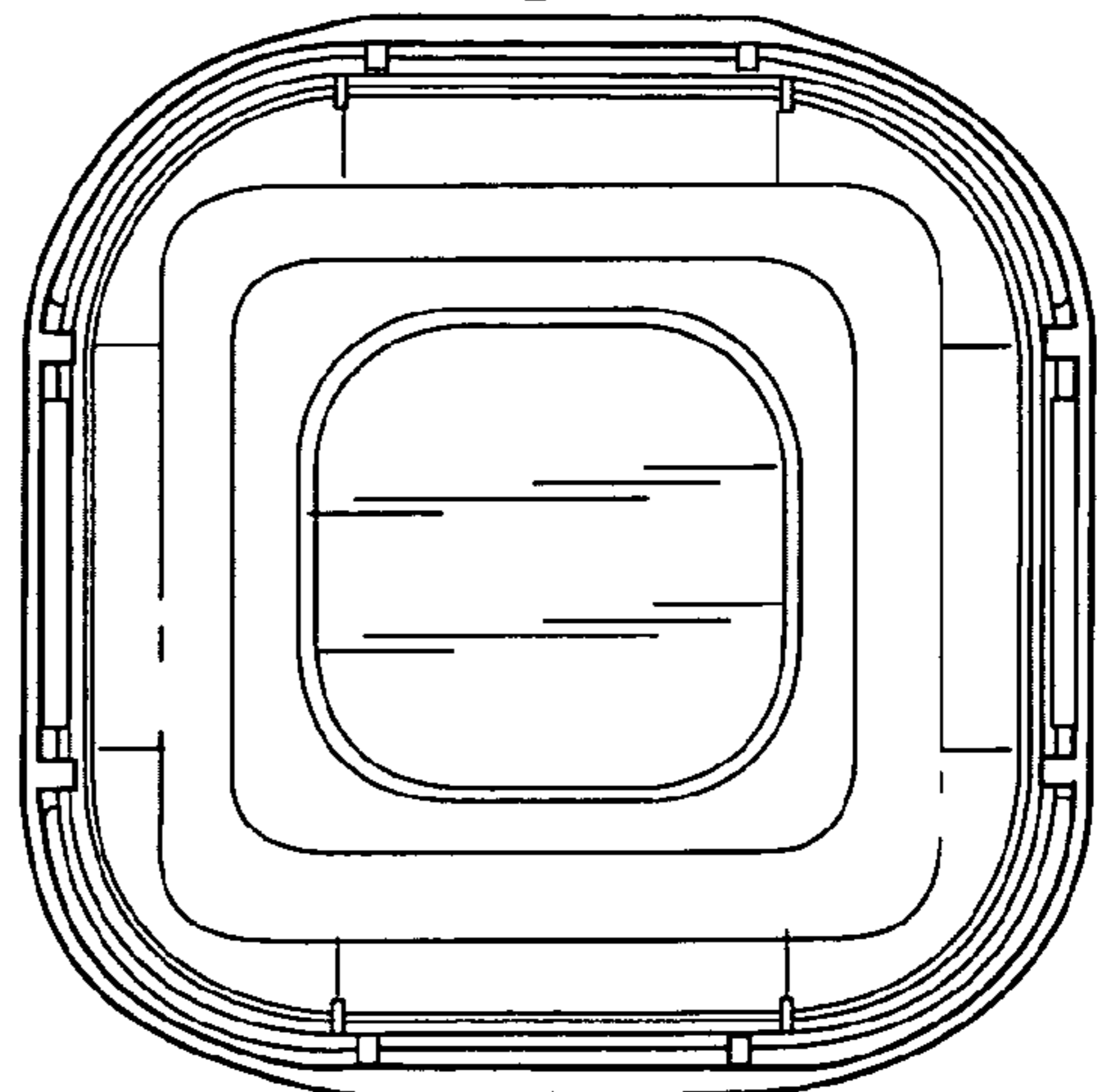


Fig. 46

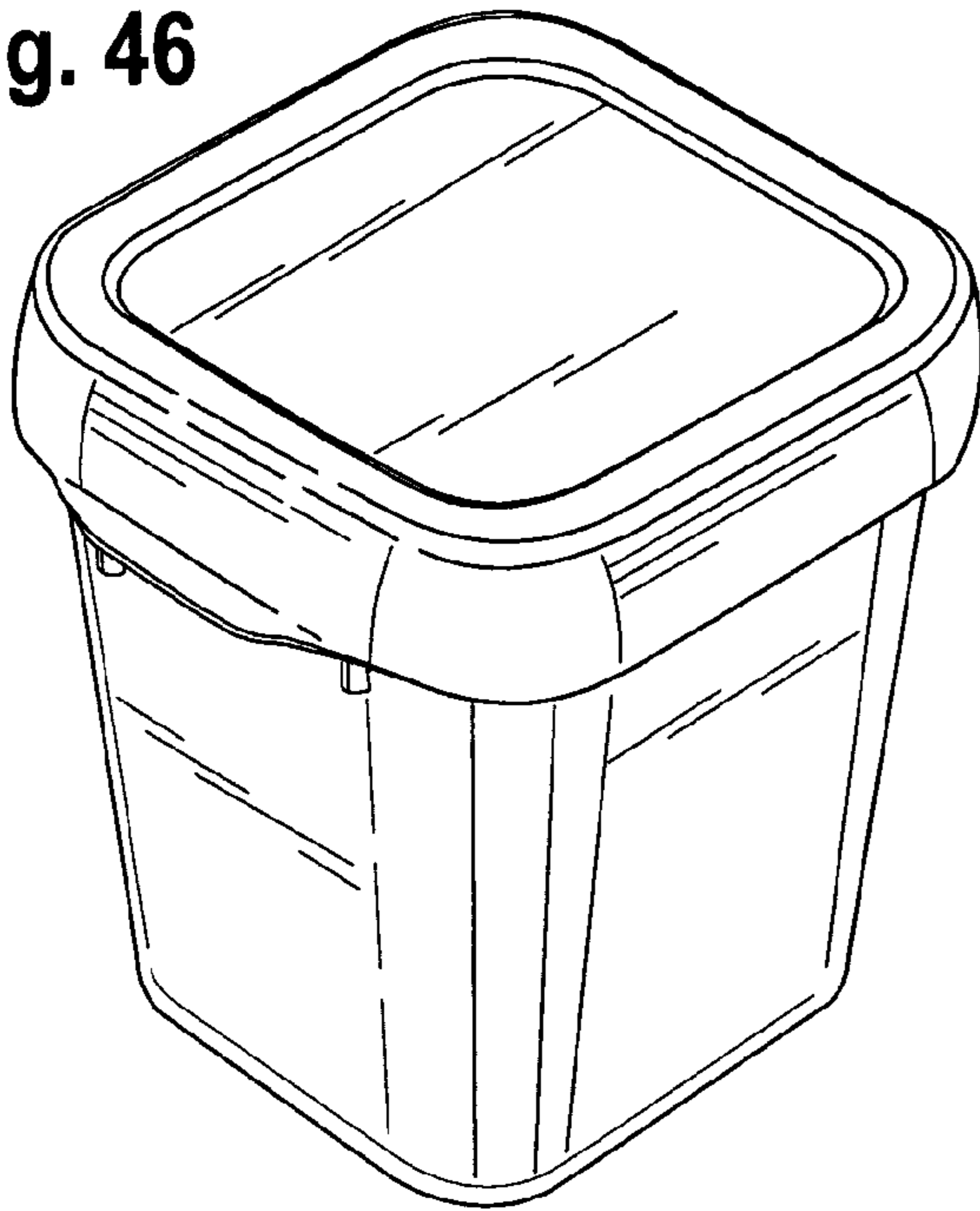


Fig. 48

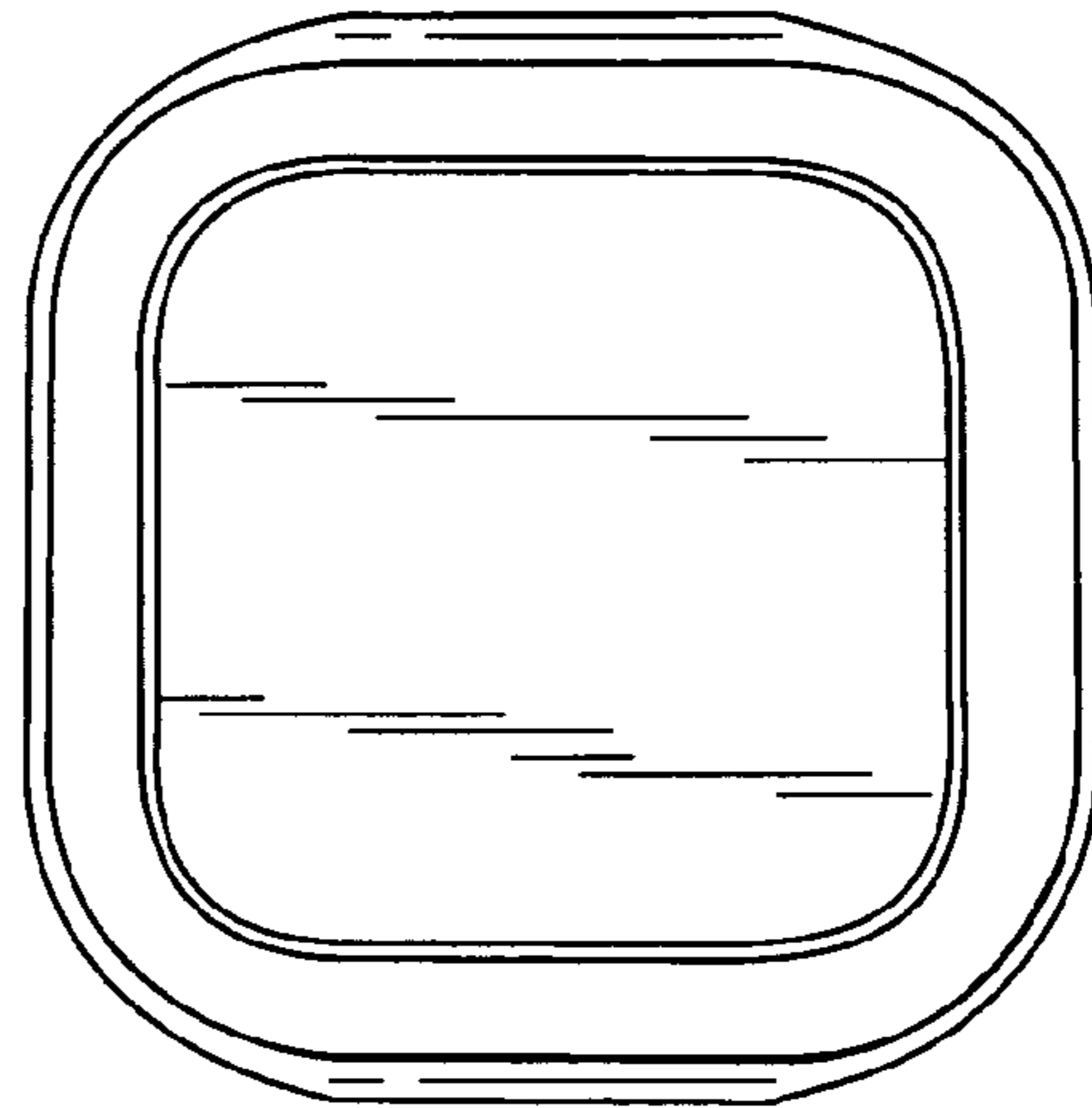


Fig. 47

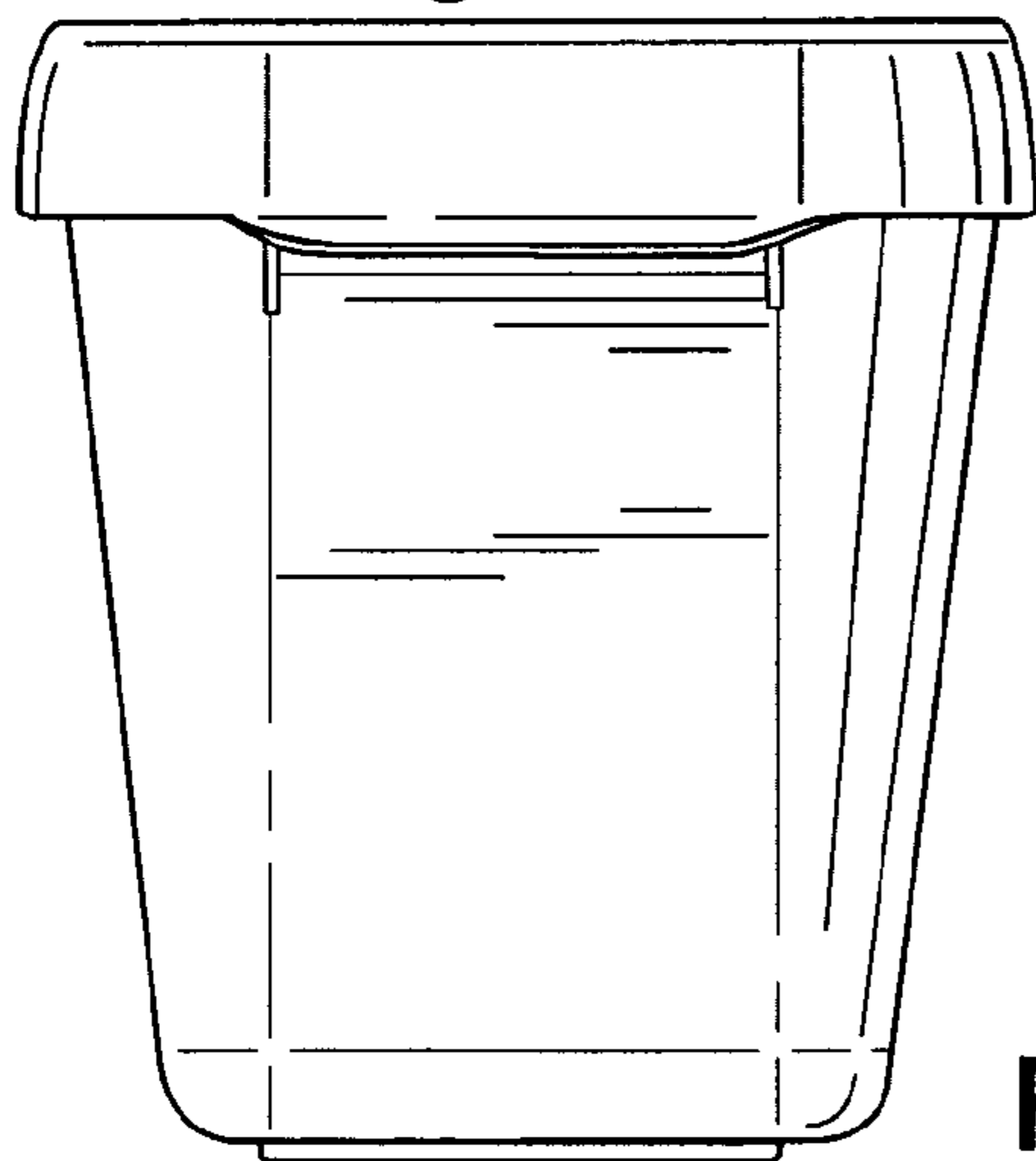


Fig. 49

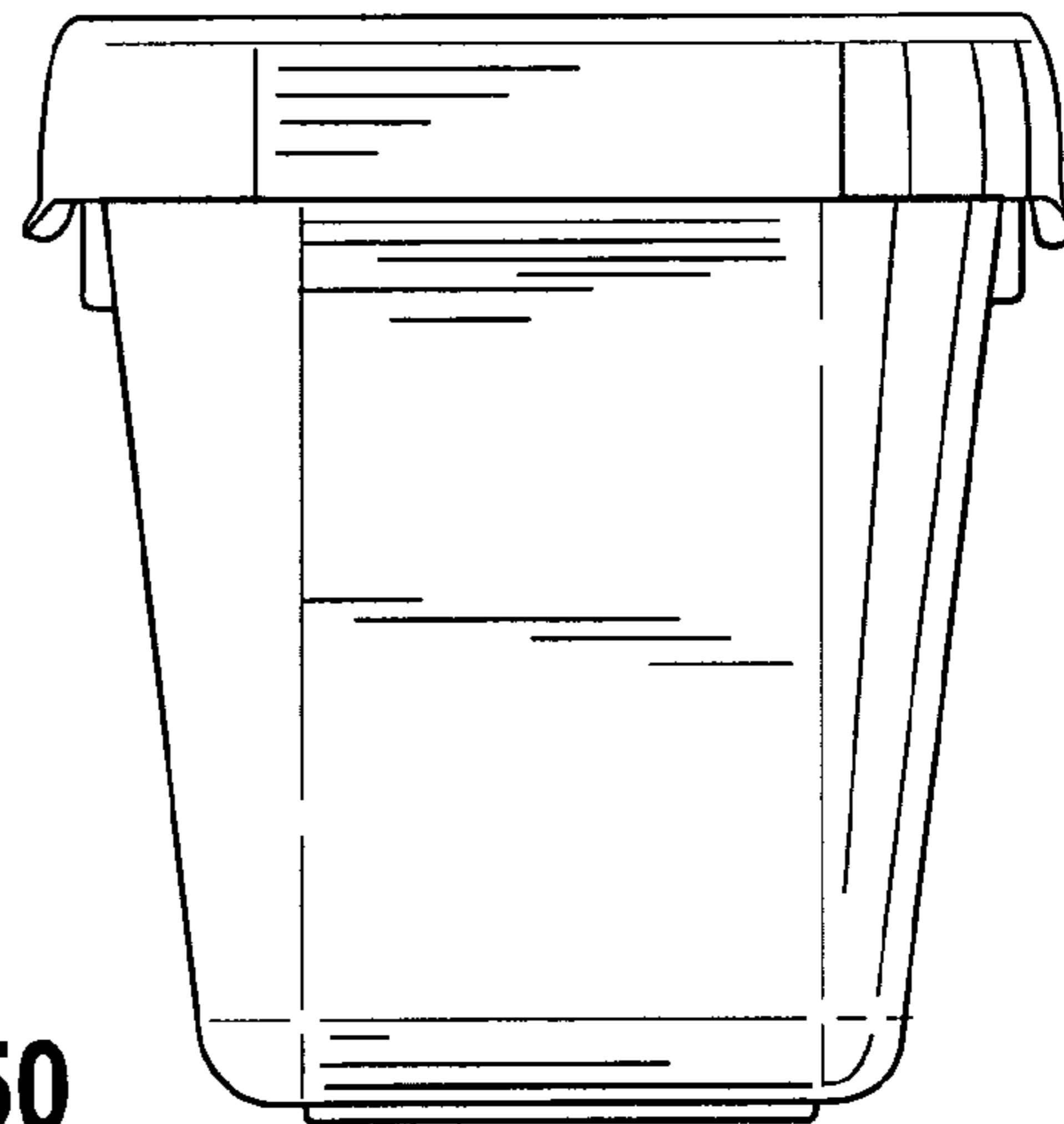


Fig. 50

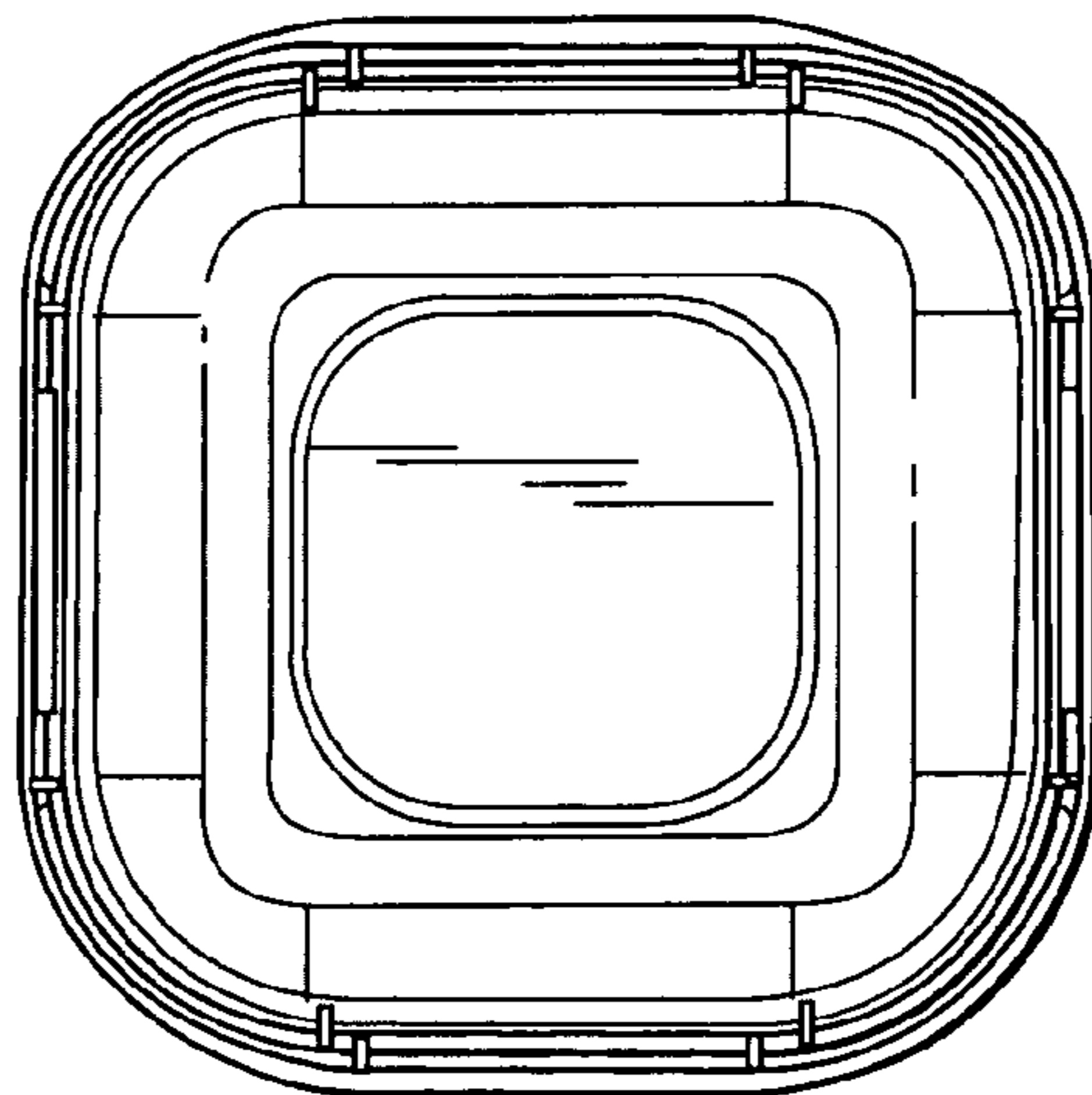


Fig. 51

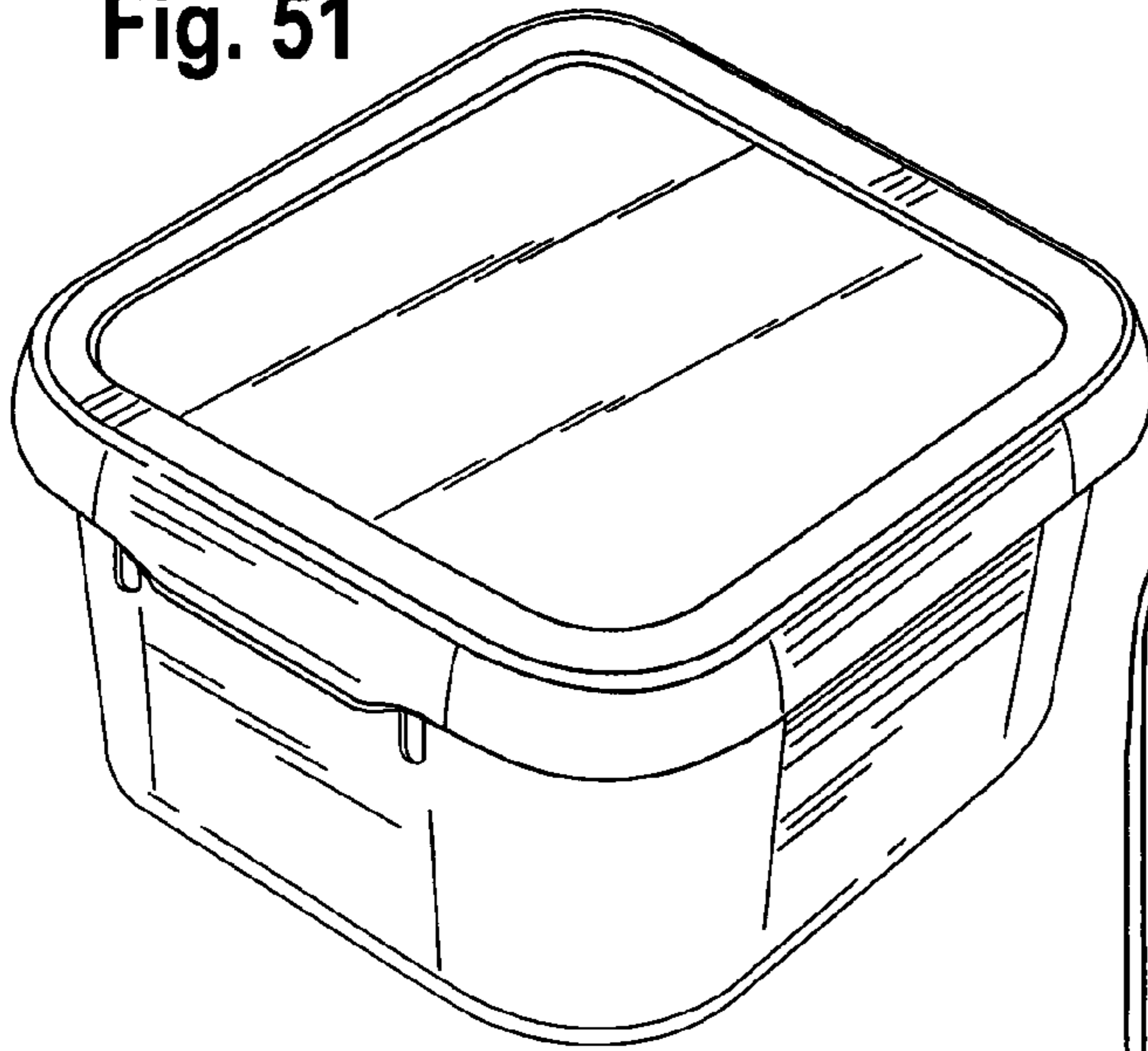


Fig. 53

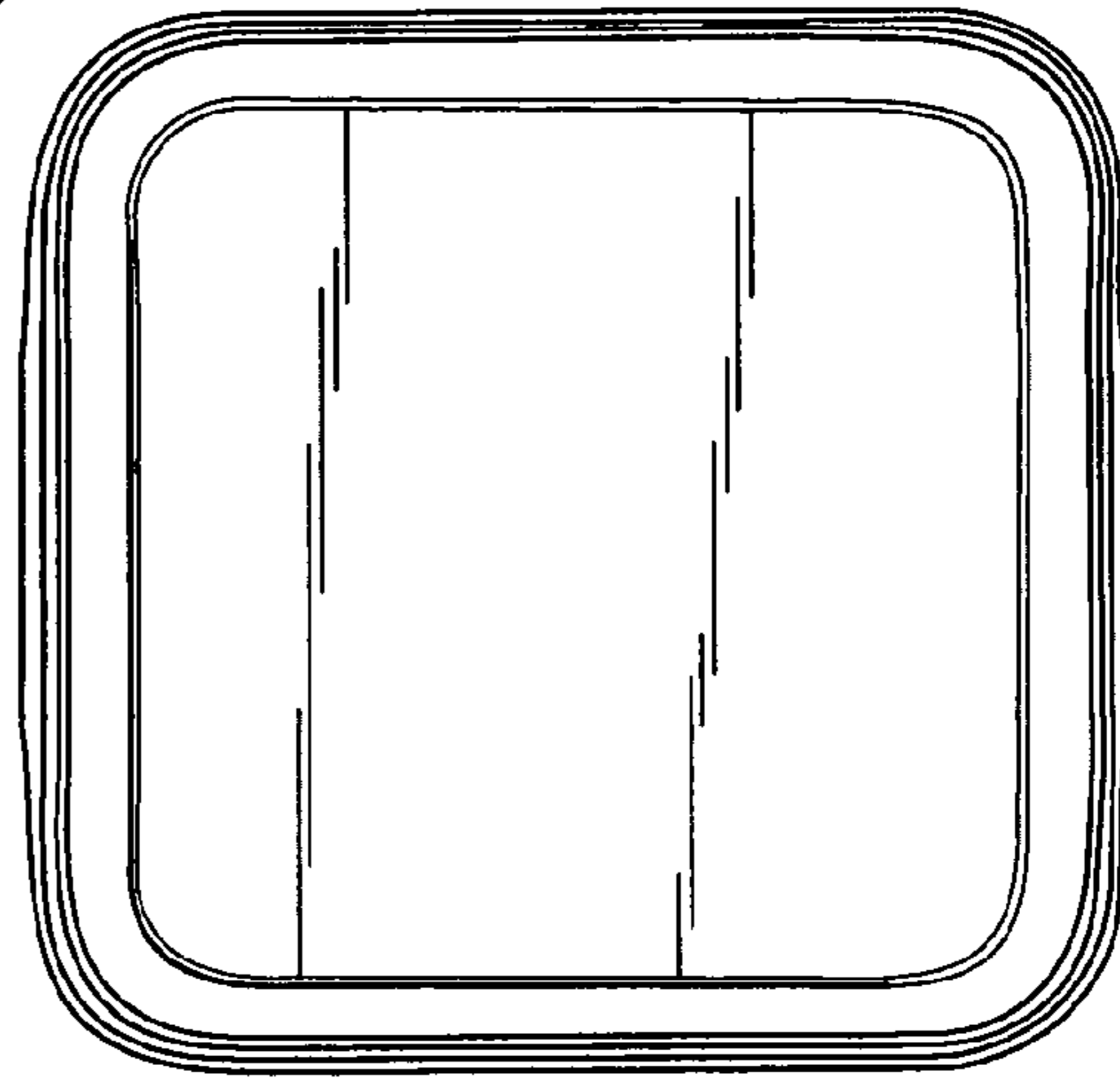


Fig. 52

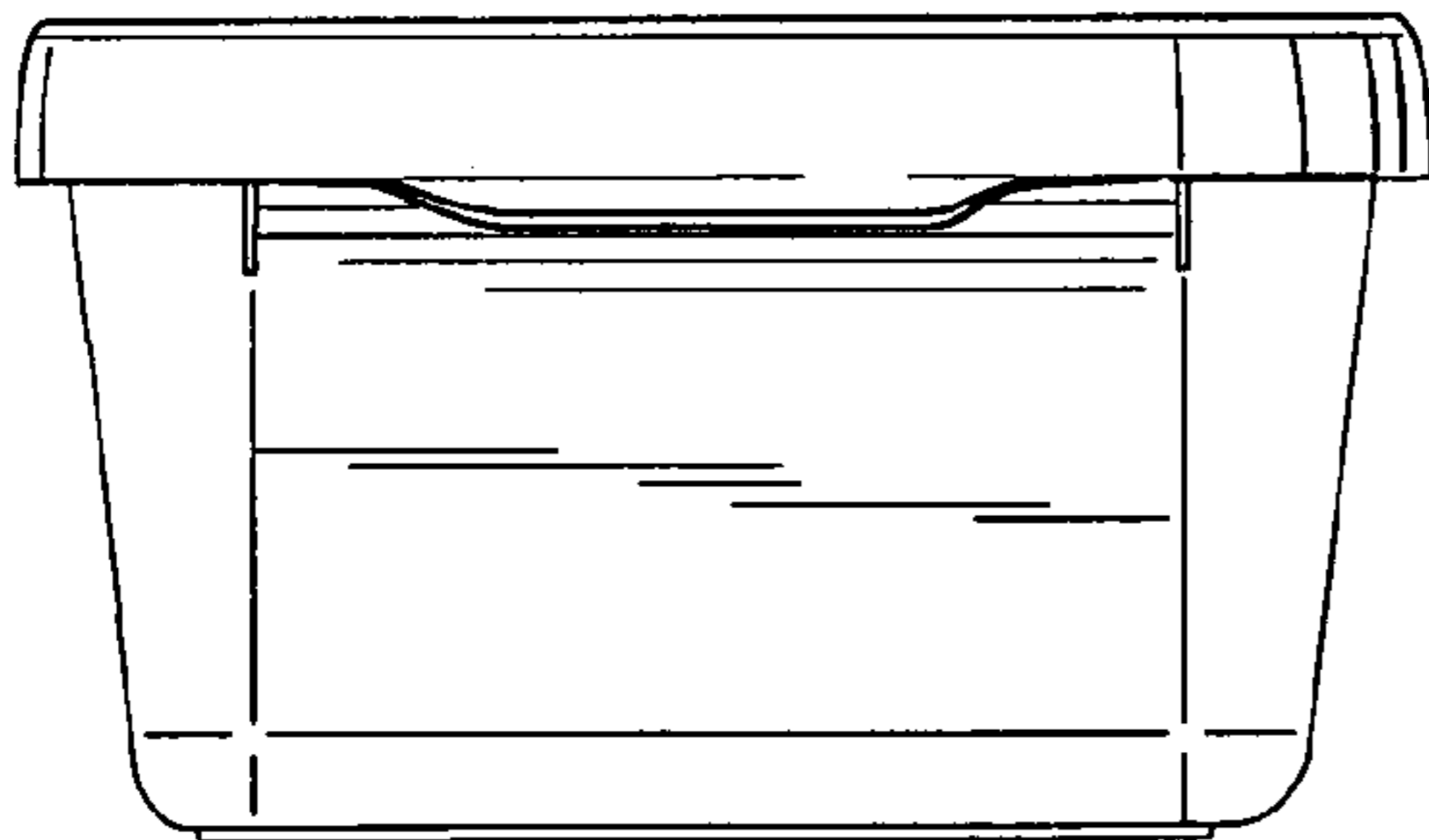


Fig. 54

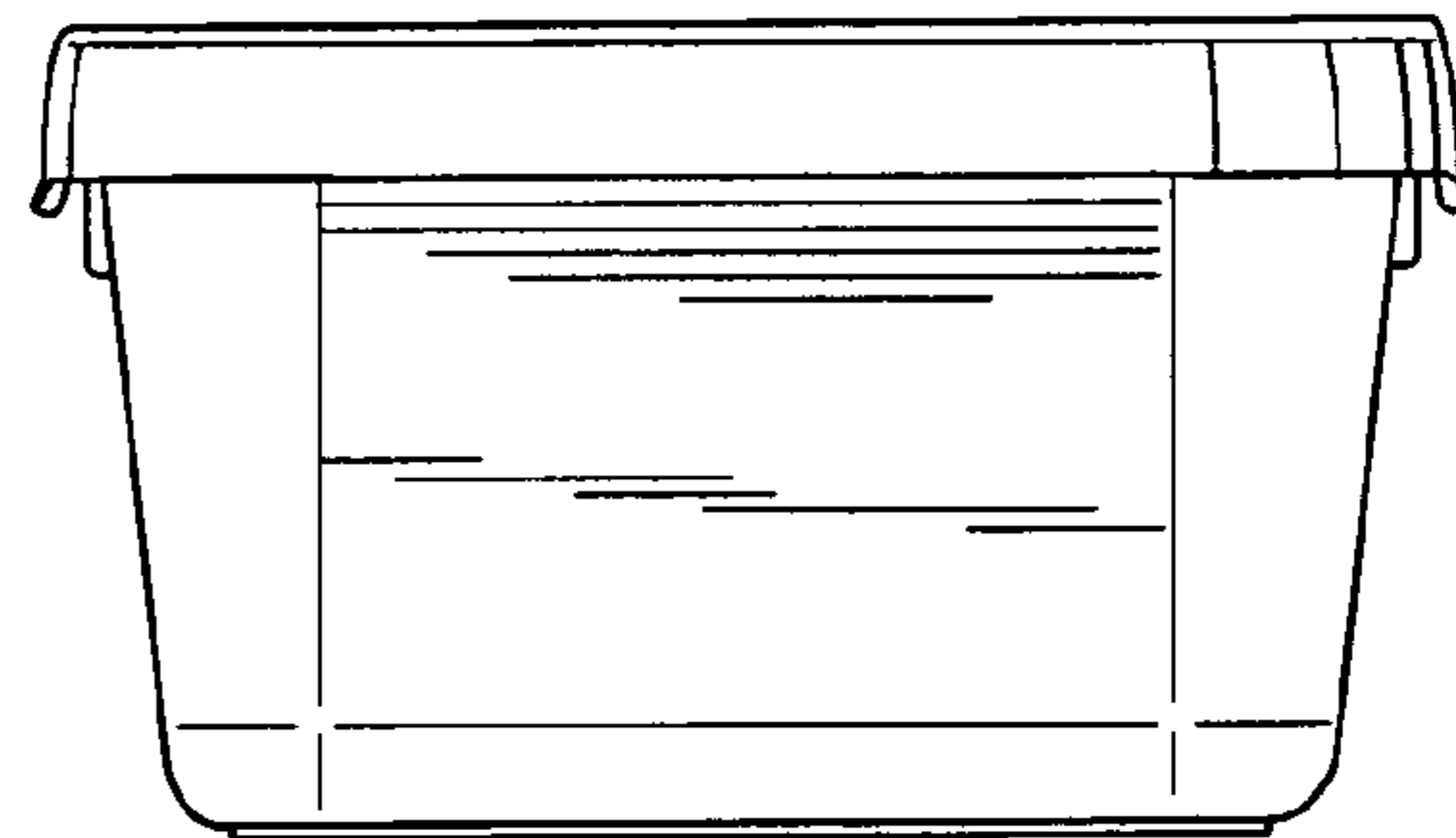


Fig. 55

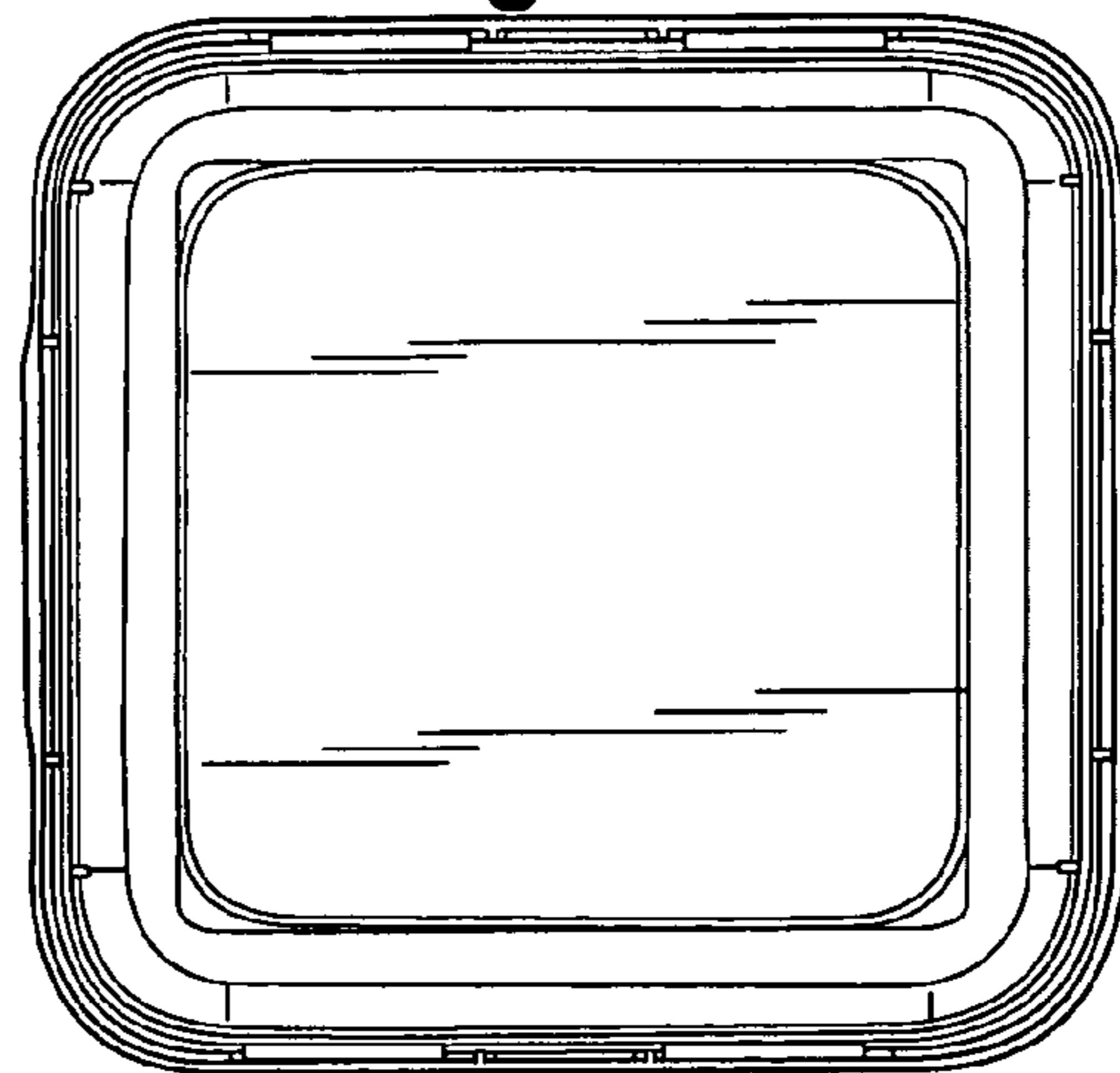


Fig. 56

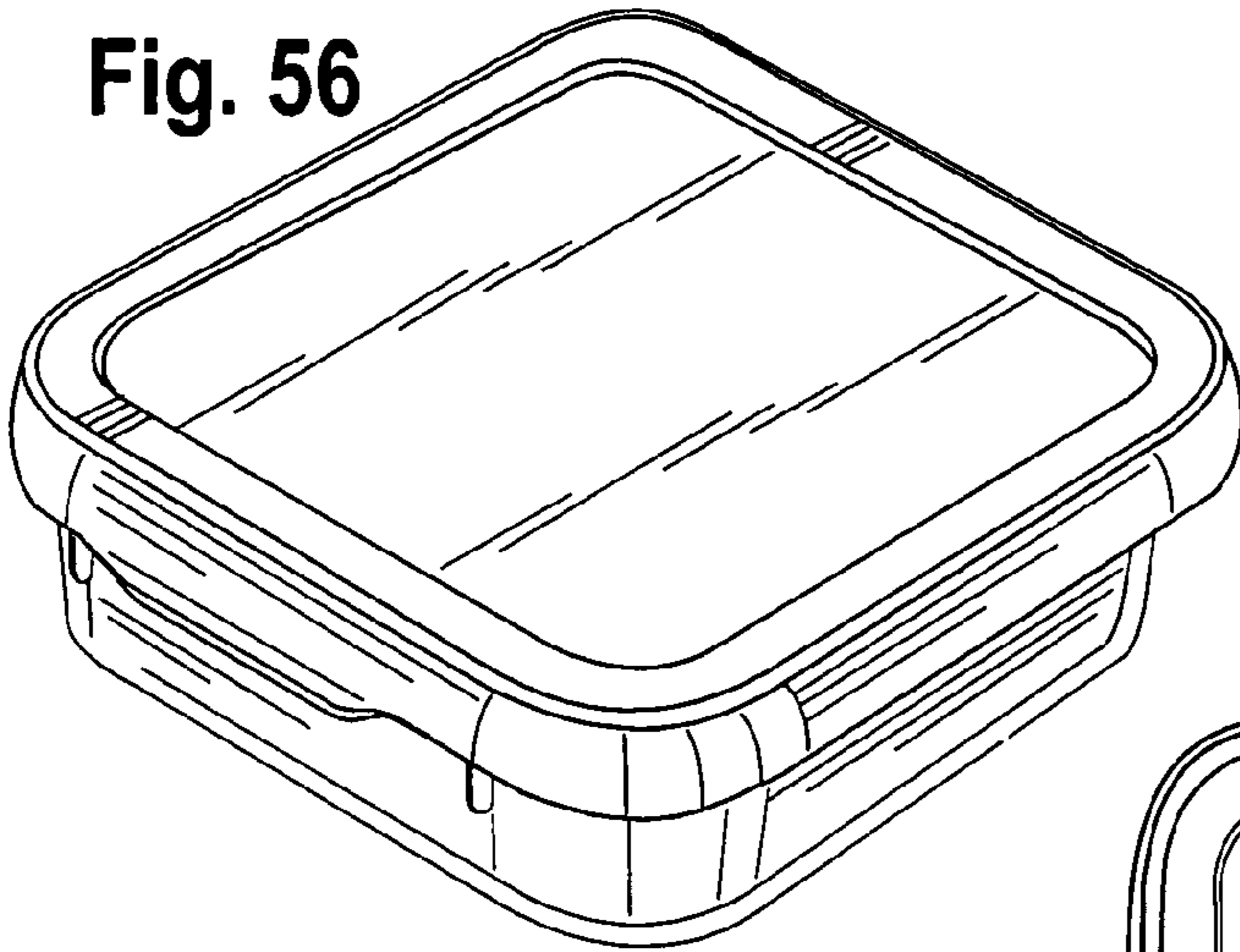


Fig. 58

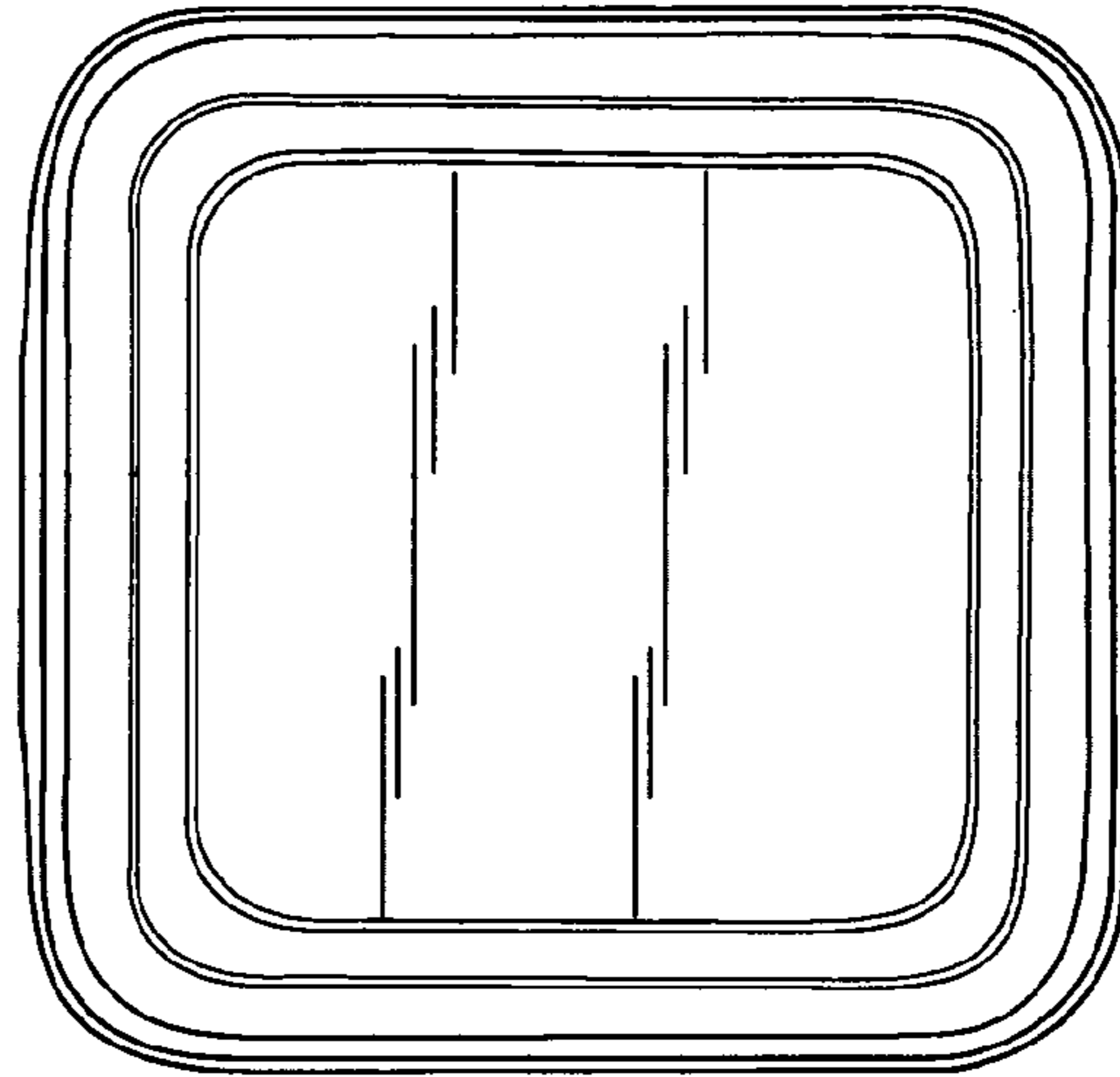


Fig. 57

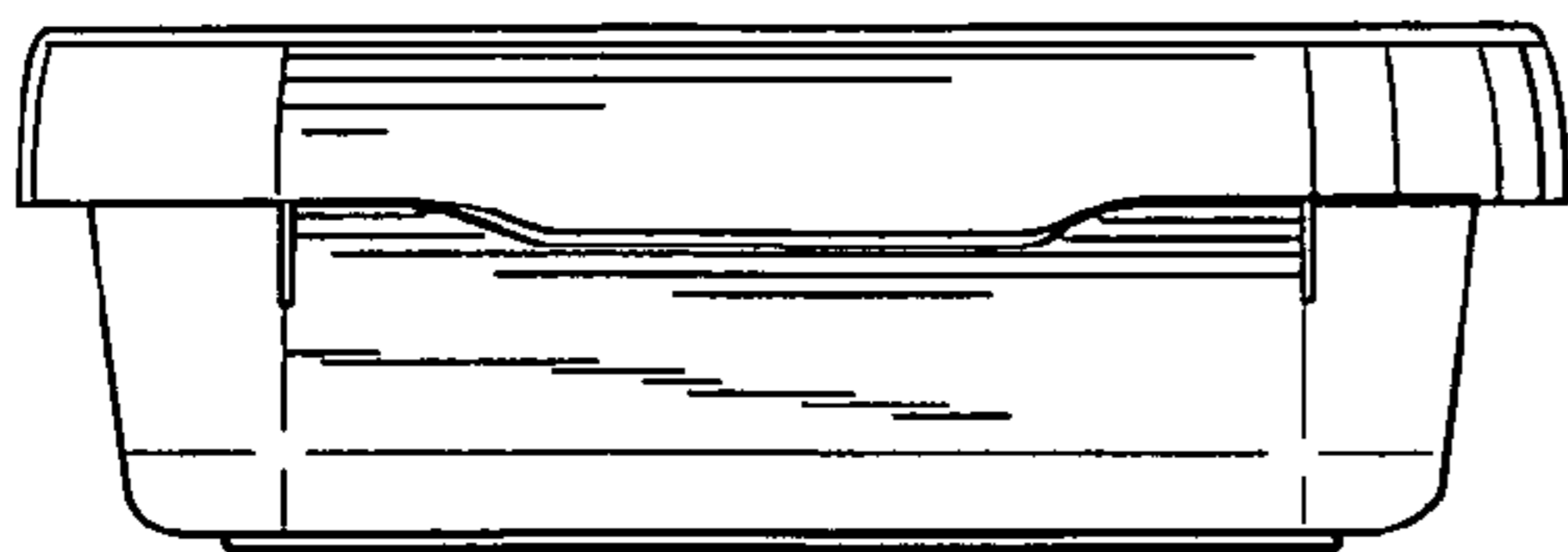


Fig. 59

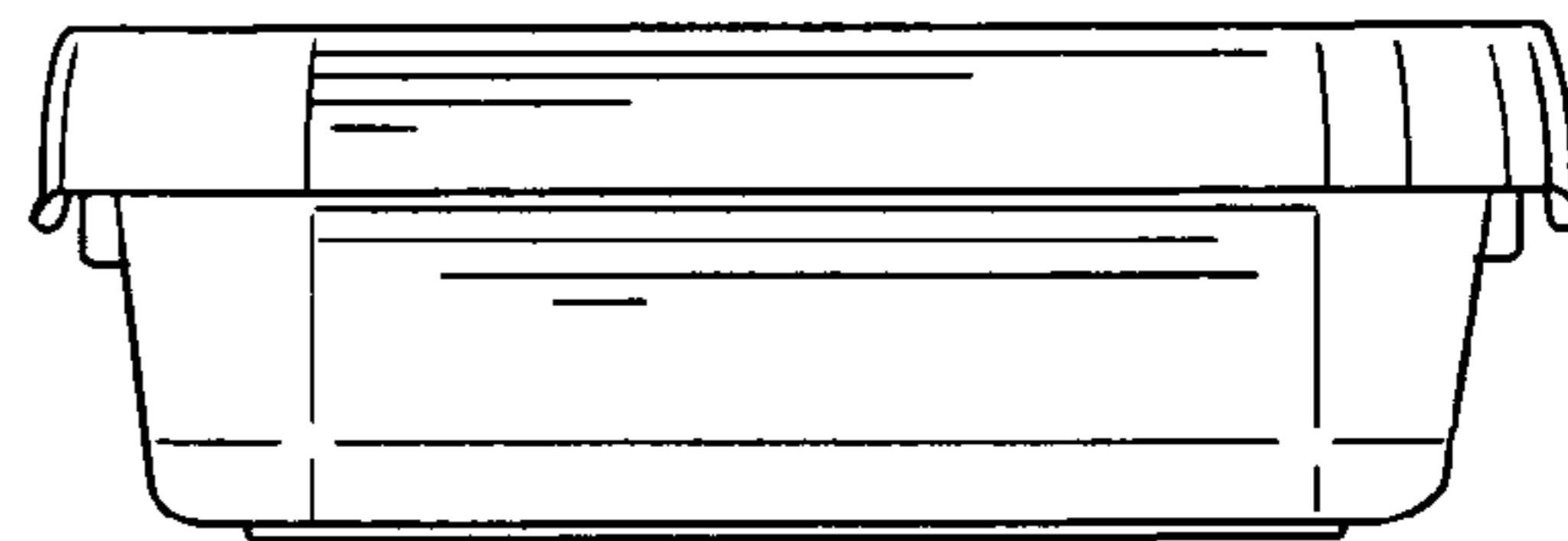


Fig. 60

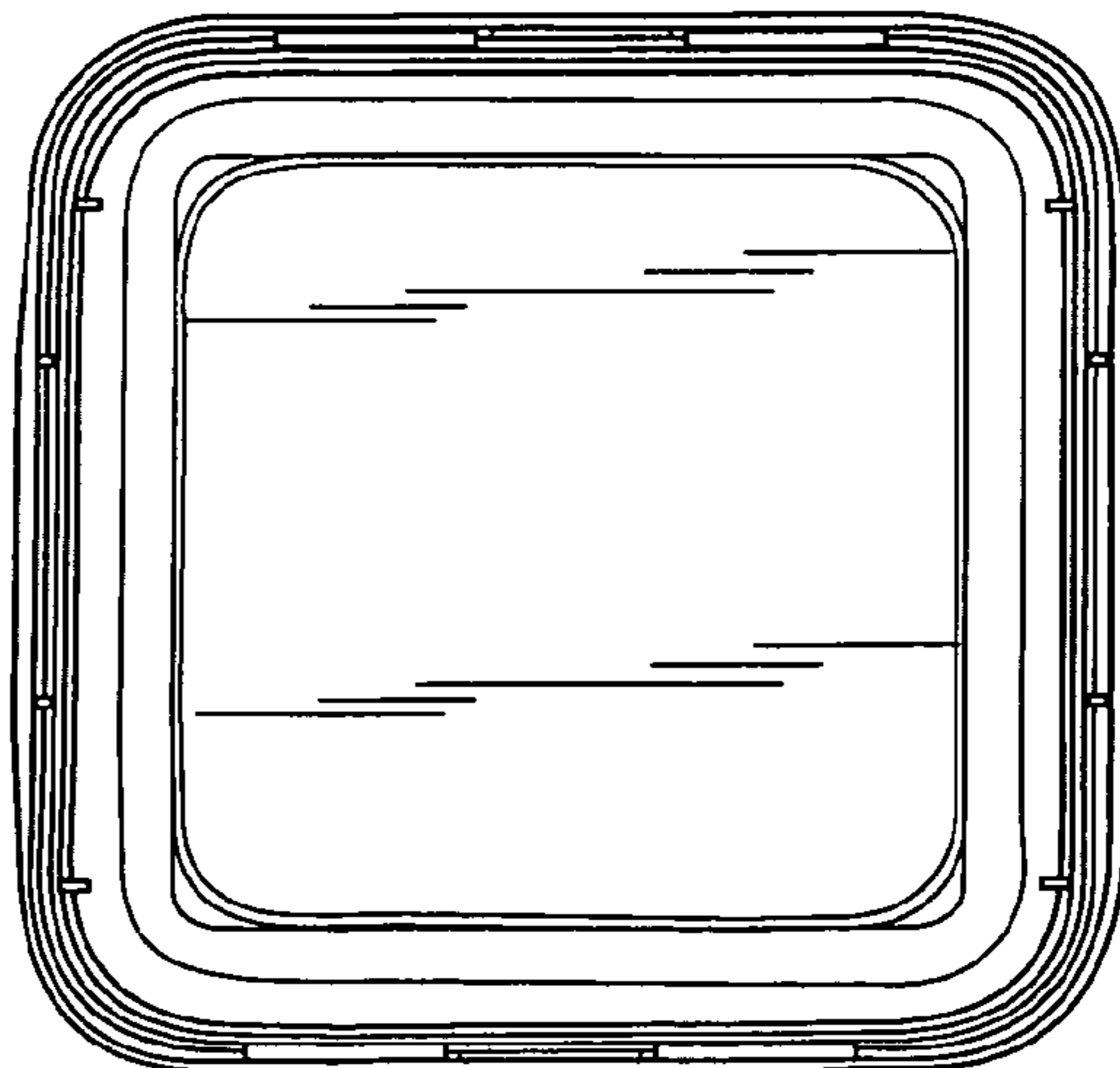


Fig. 61

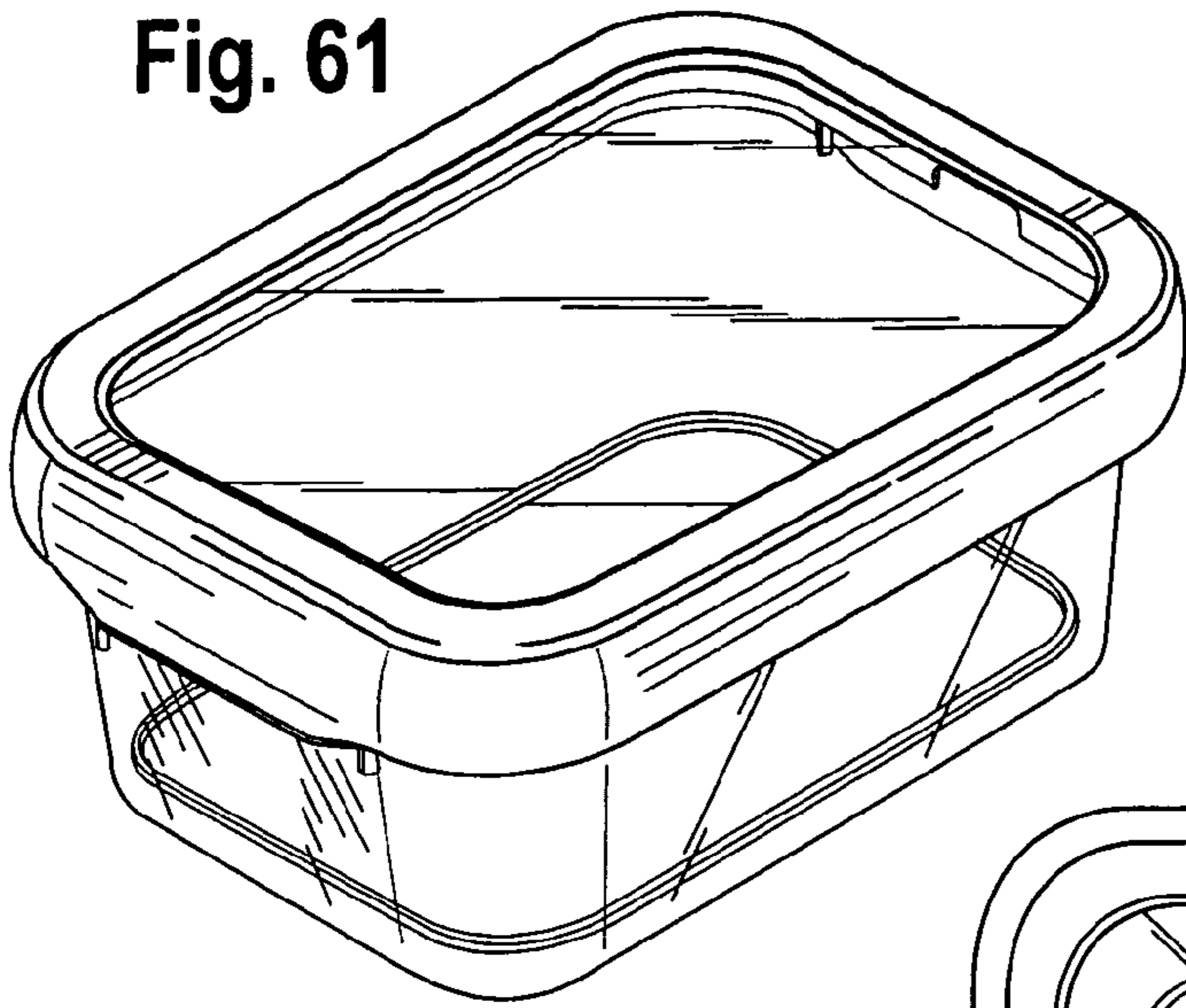


Fig. 63

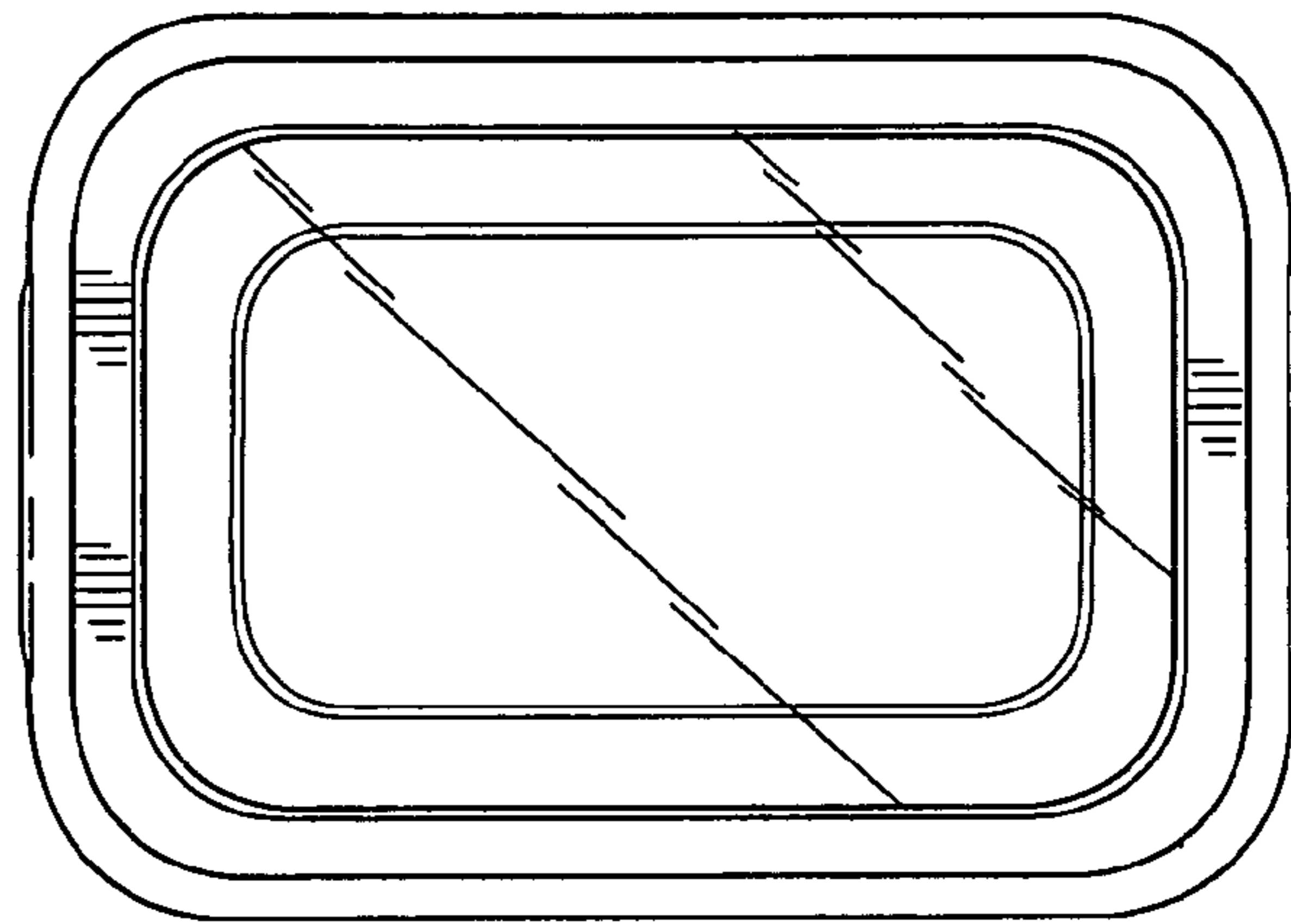


Fig. 62

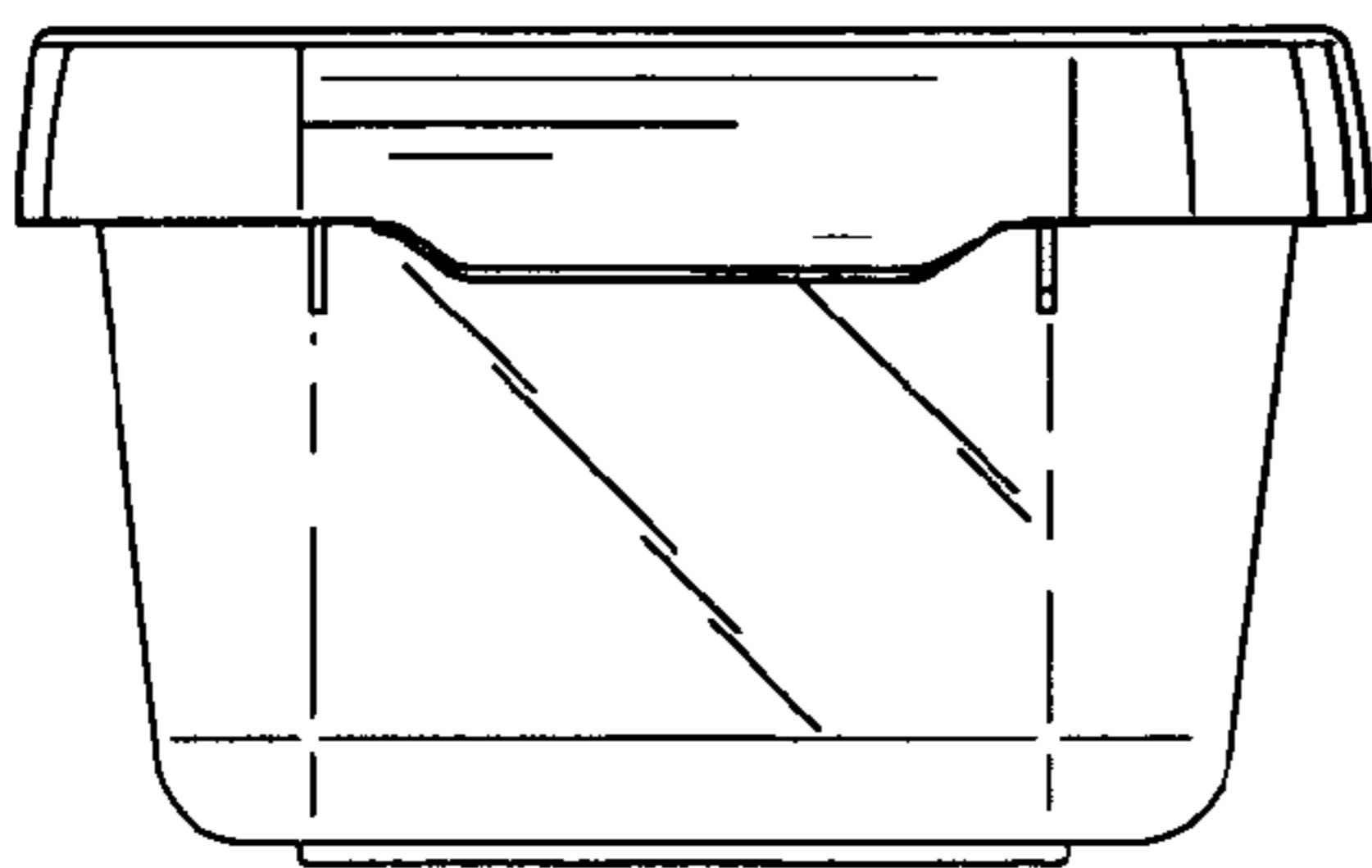


Fig. 64

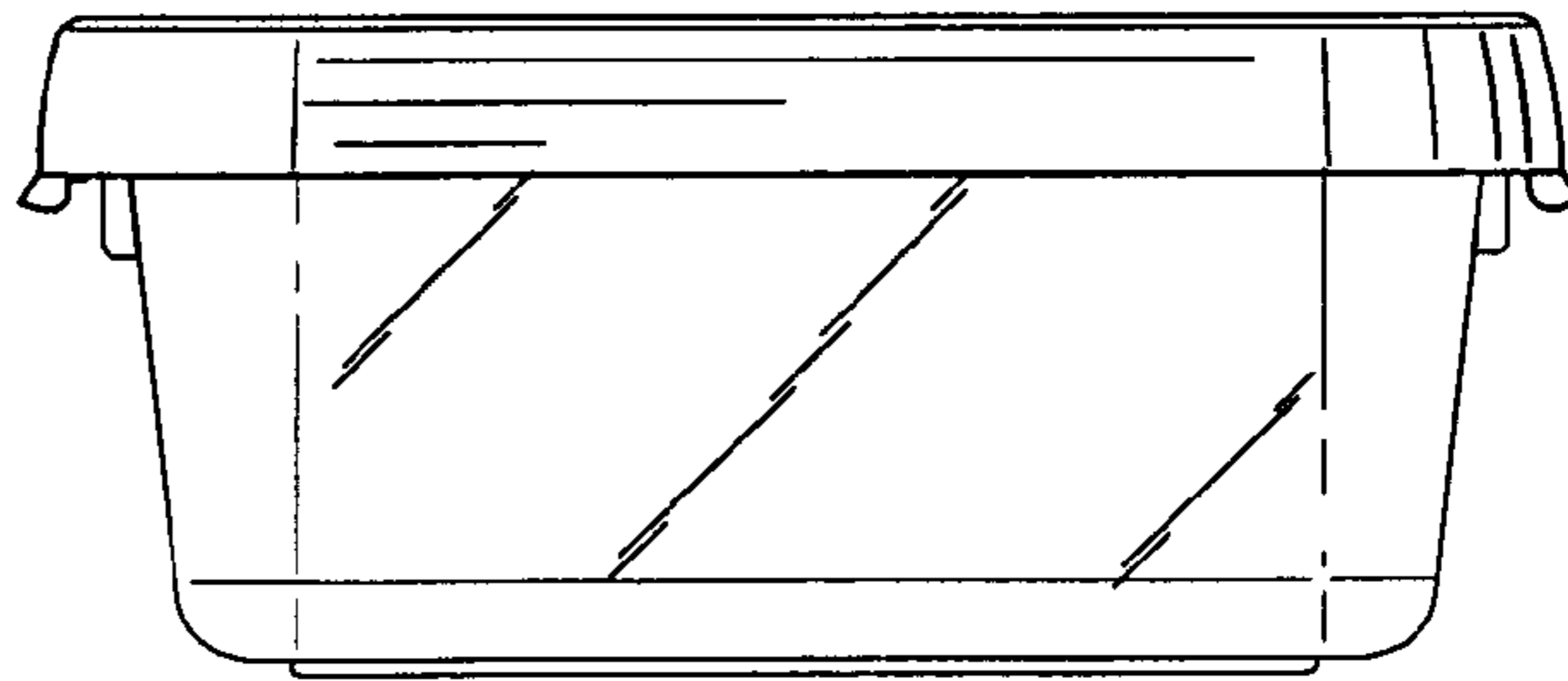


Fig. 65

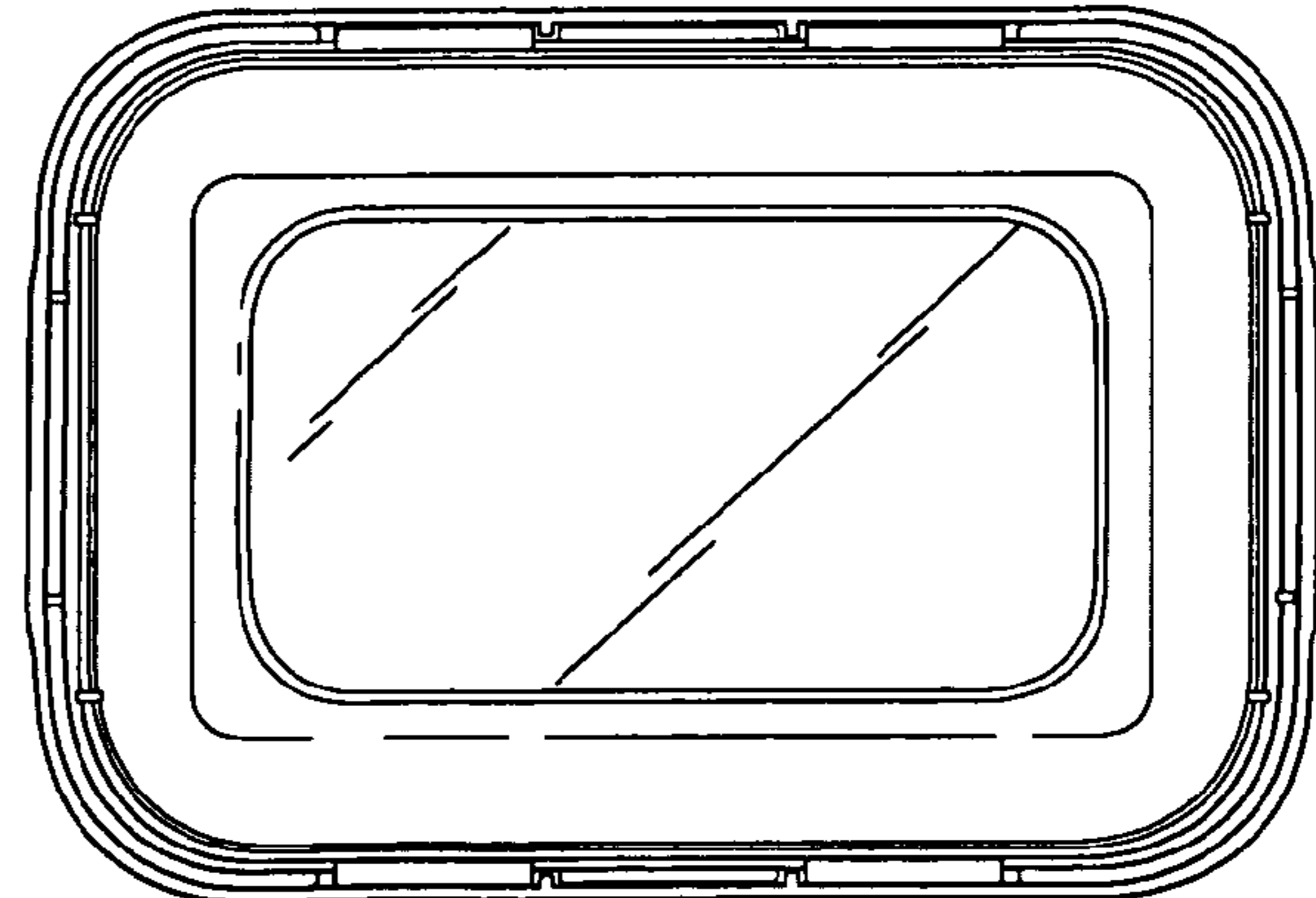


Fig. 66

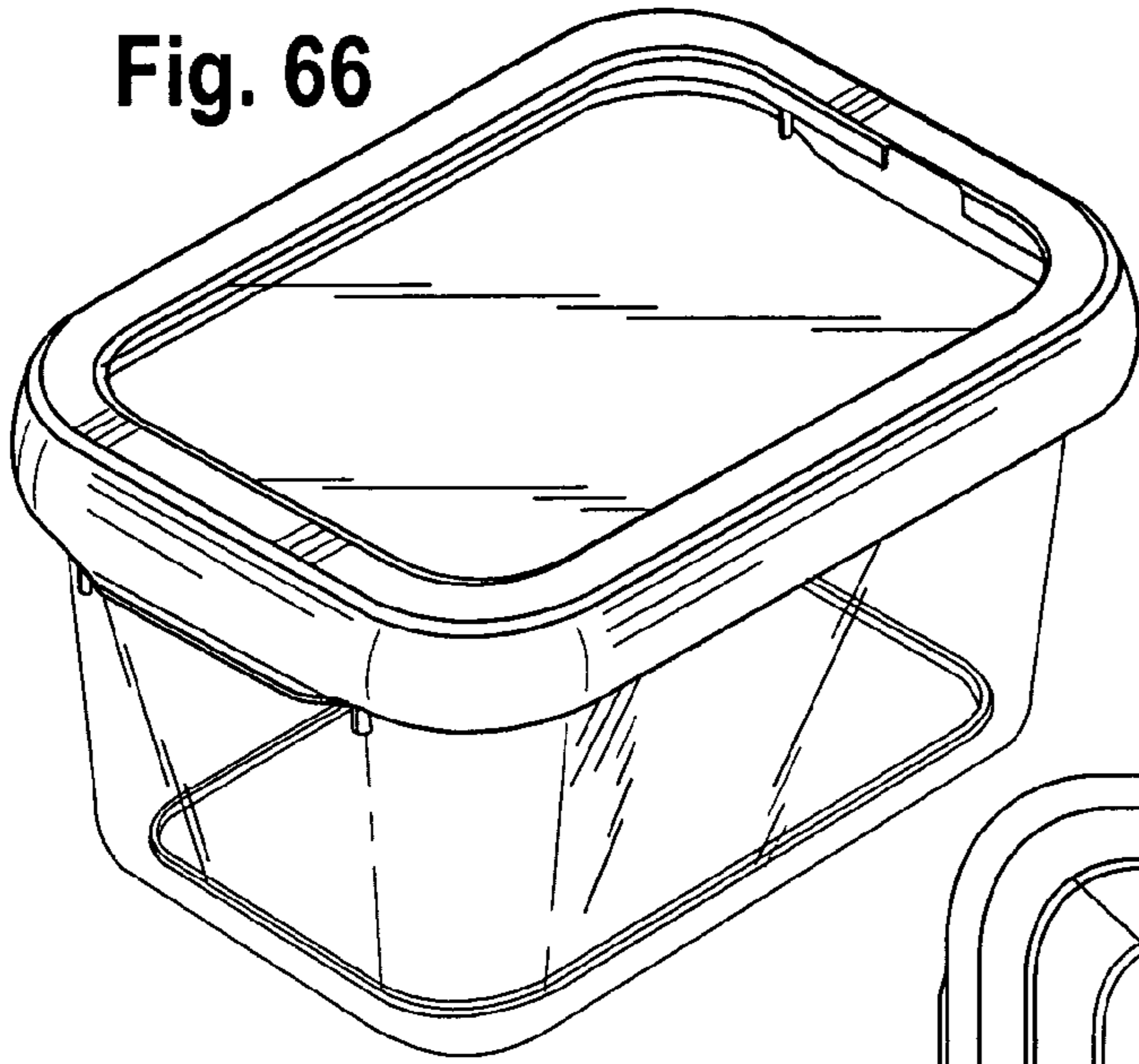


Fig. 68

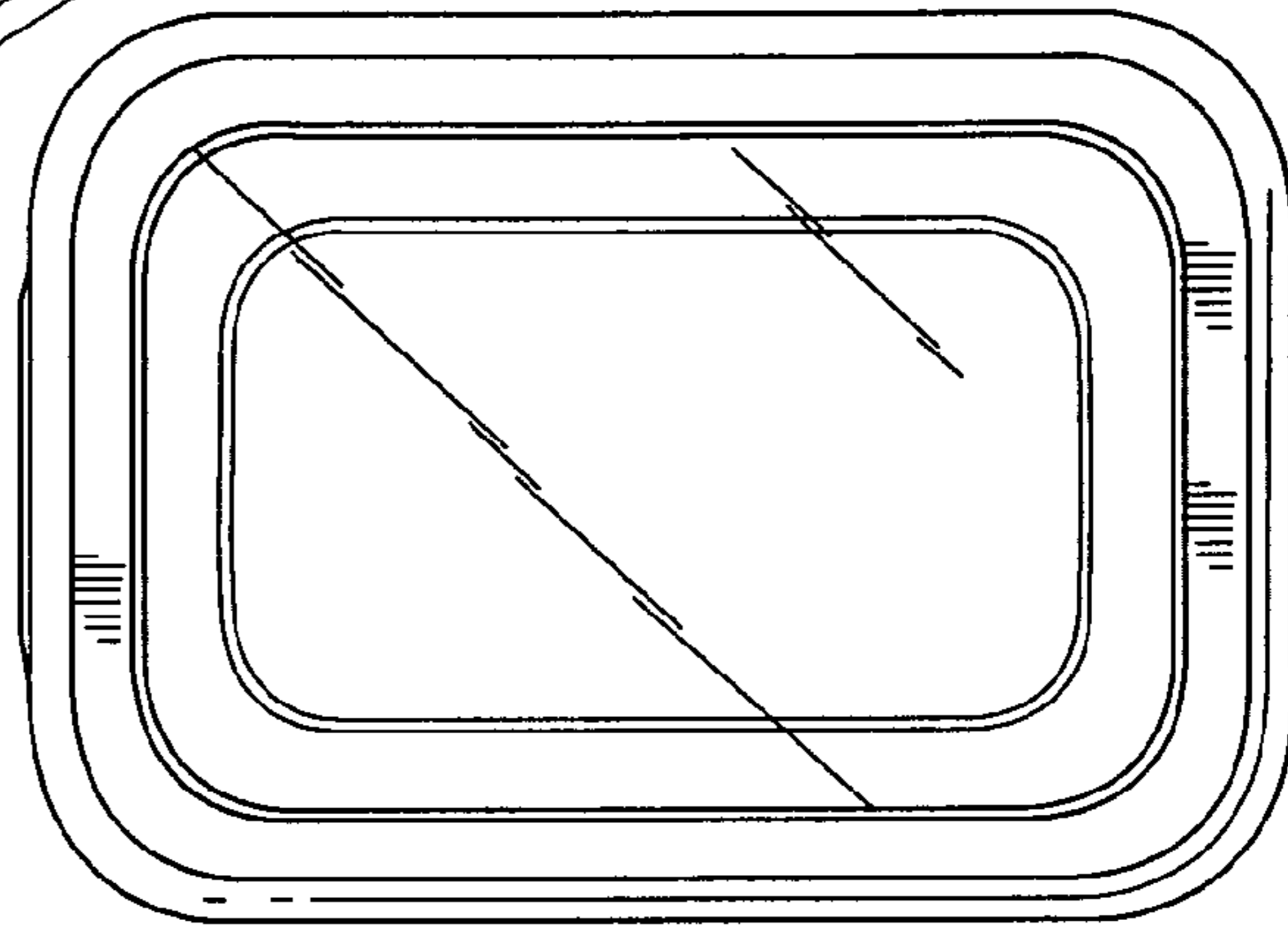


Fig. 67

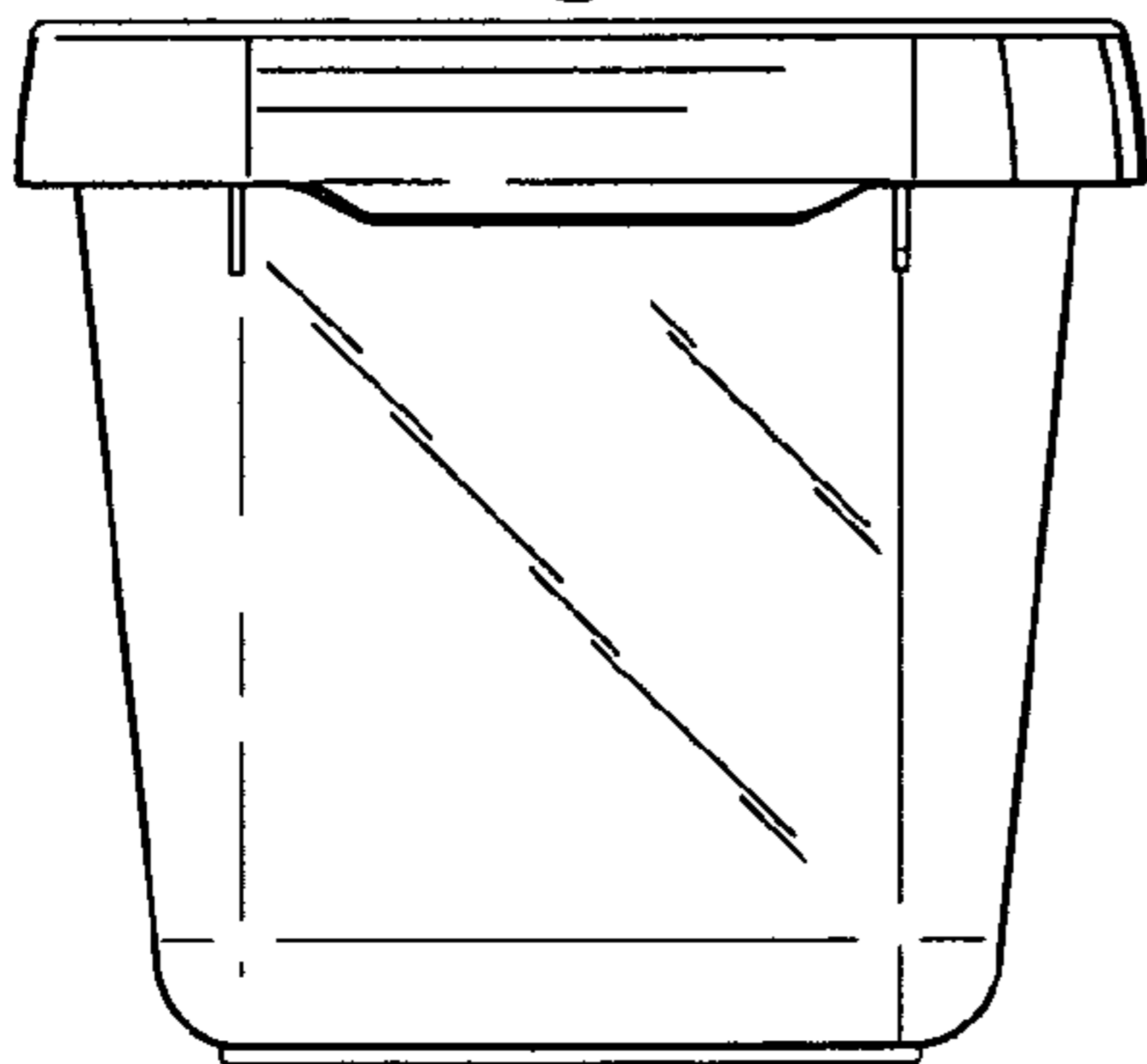


Fig. 69

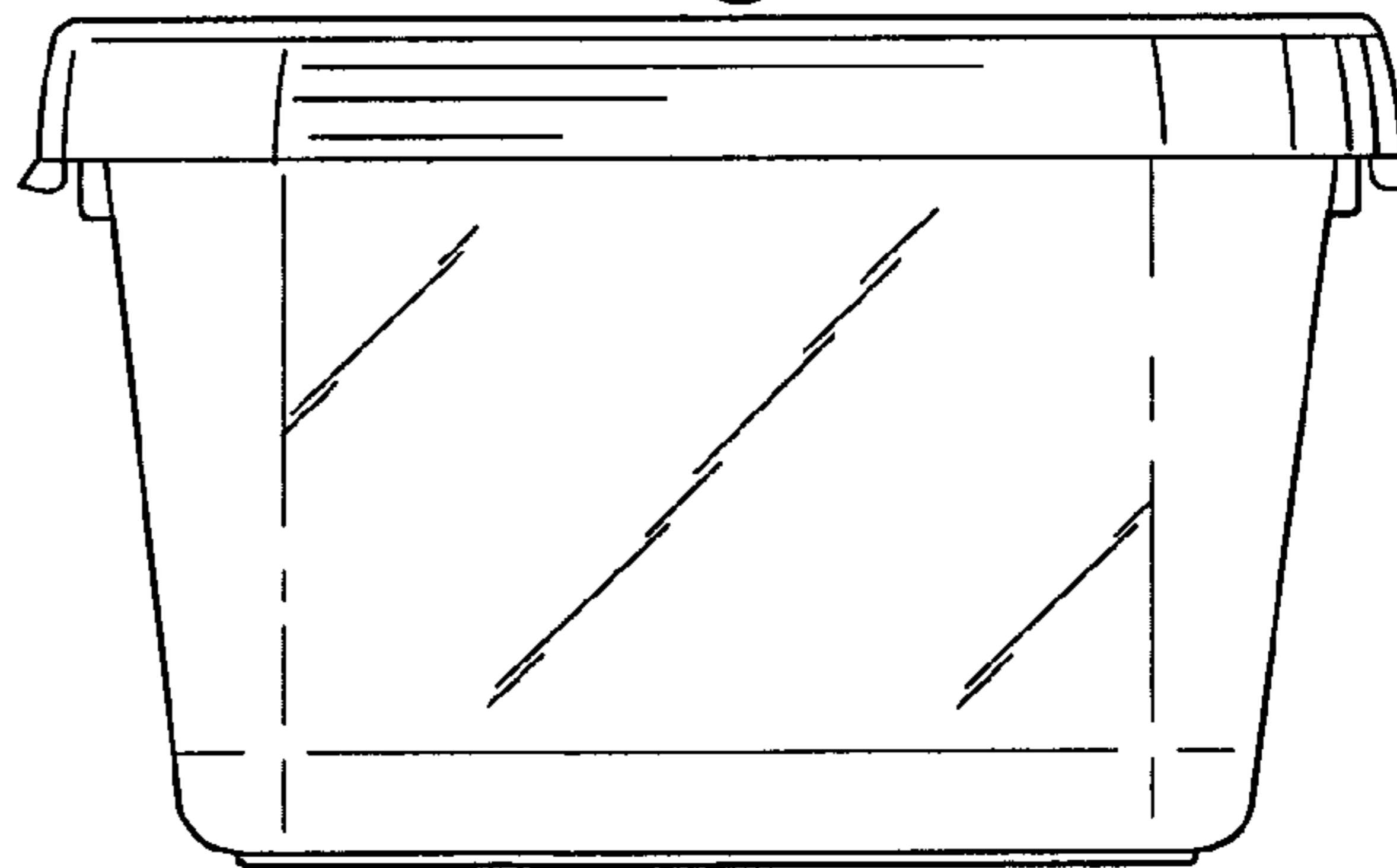


Fig. 70

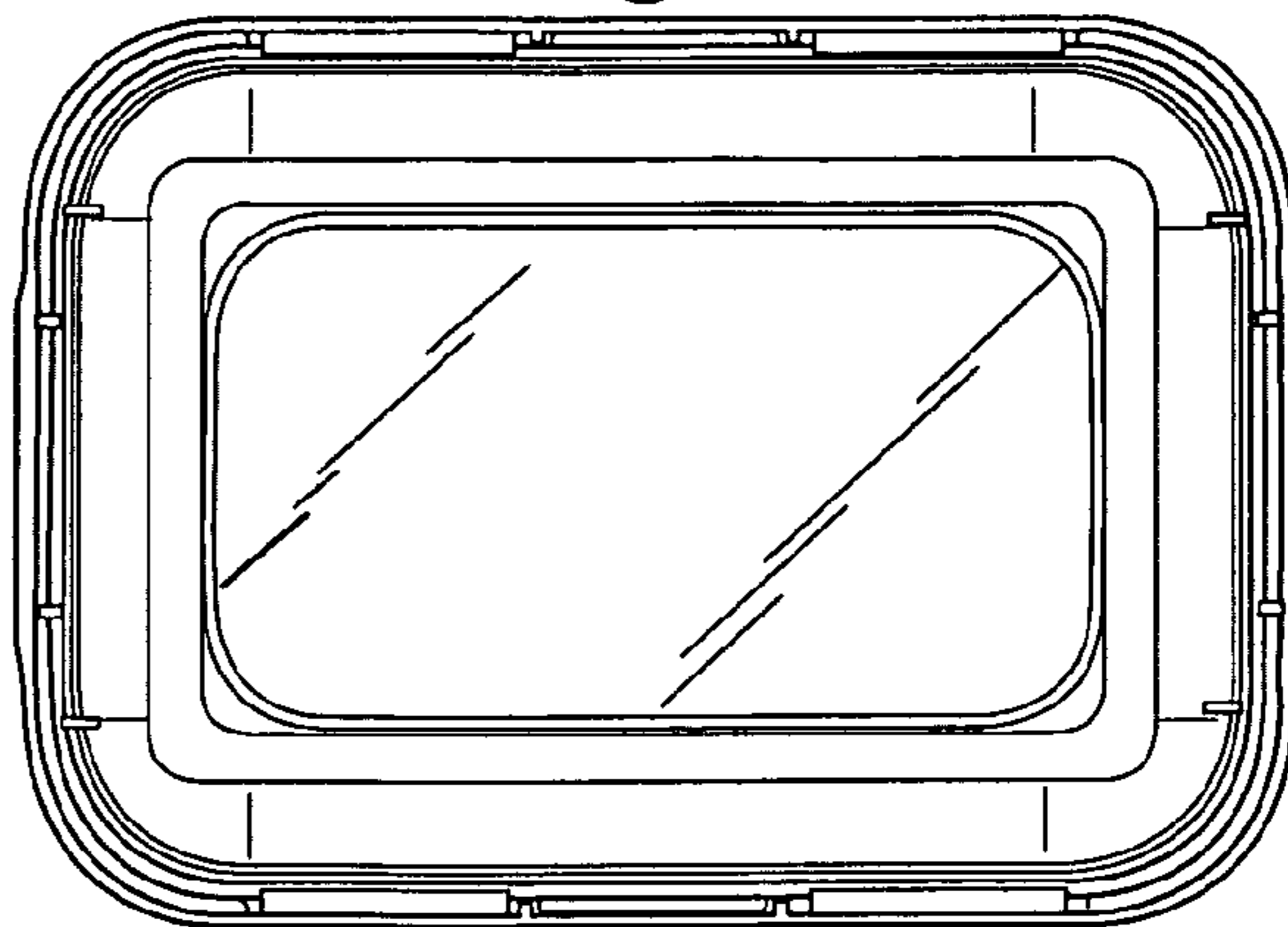


Fig. 71

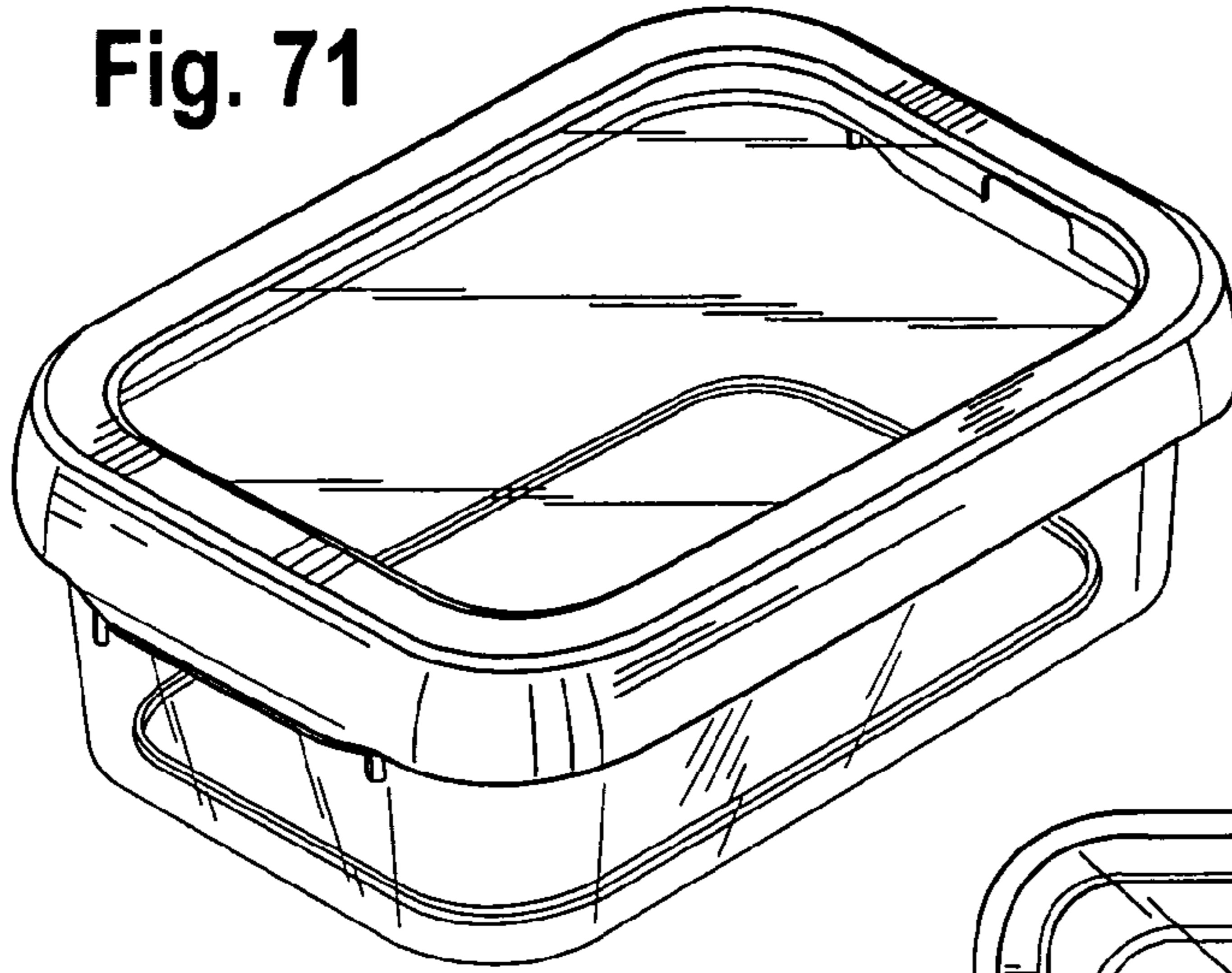


Fig. 73

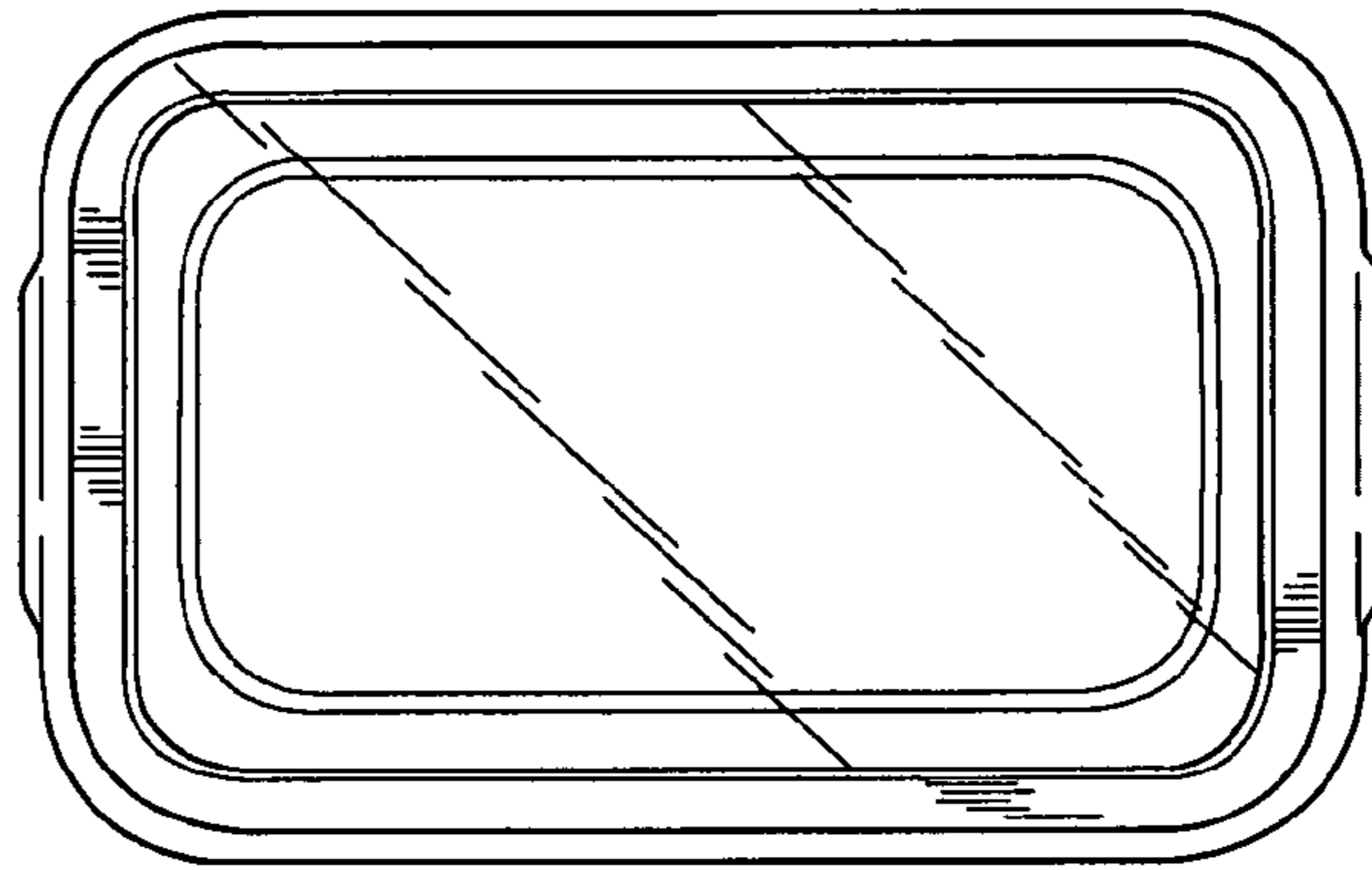


Fig. 72

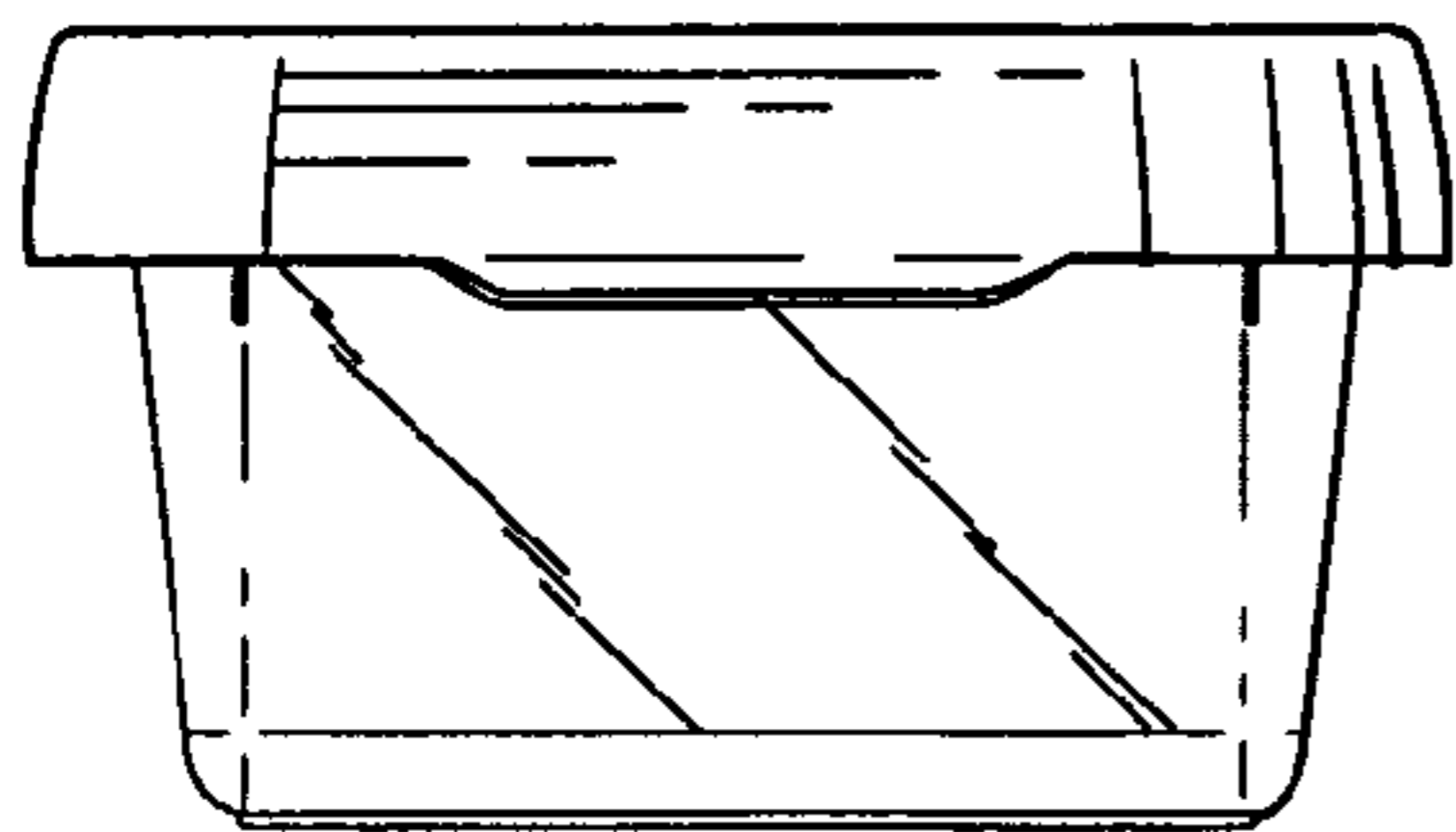


Fig. 74

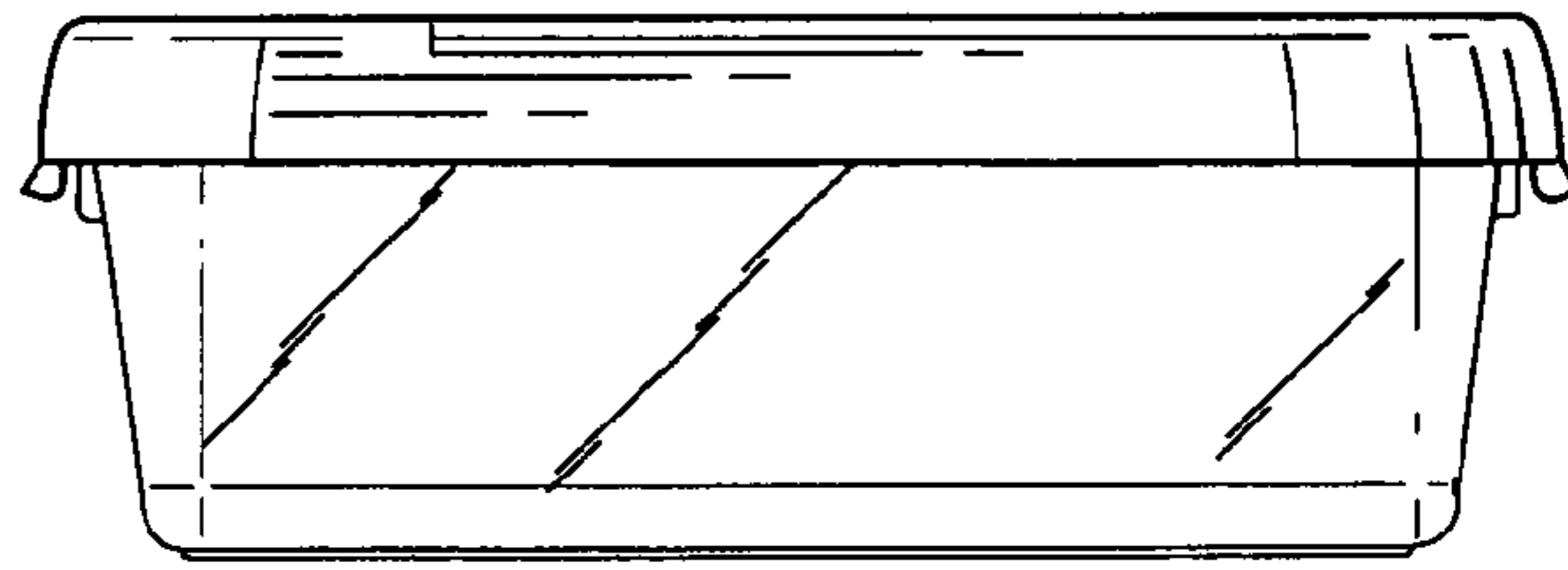


Fig. 75

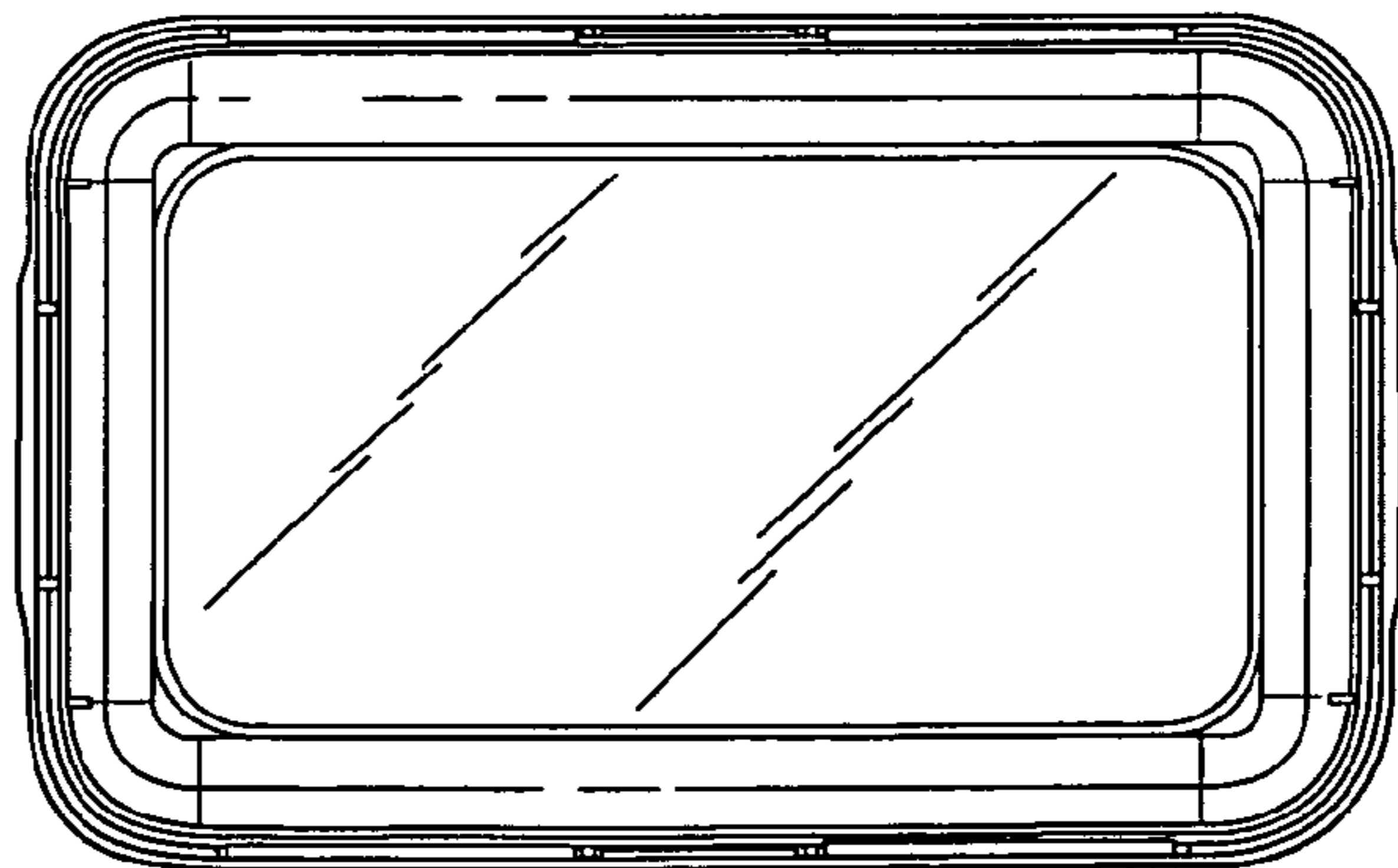


Fig. 76

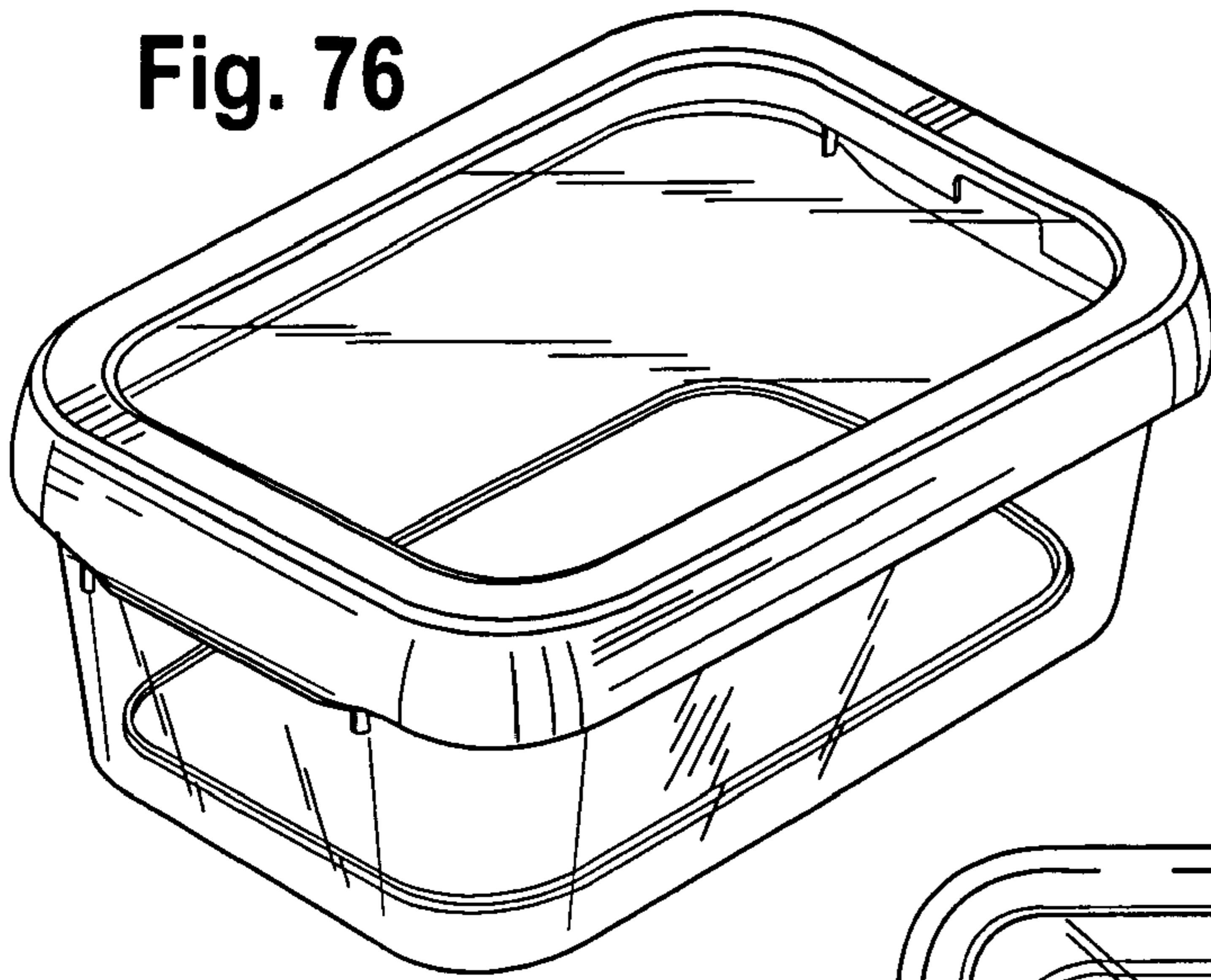


Fig. 78

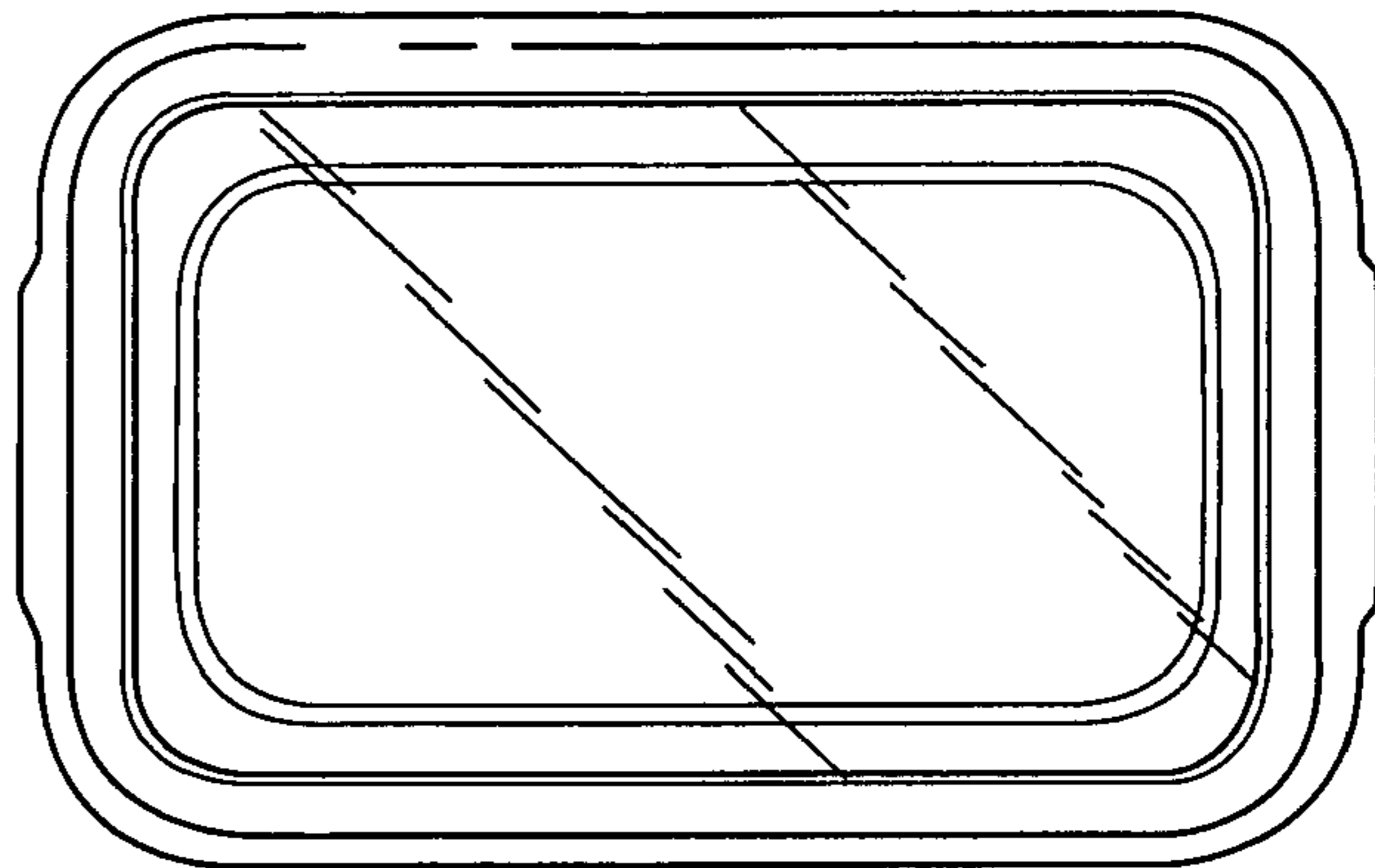


Fig. 77

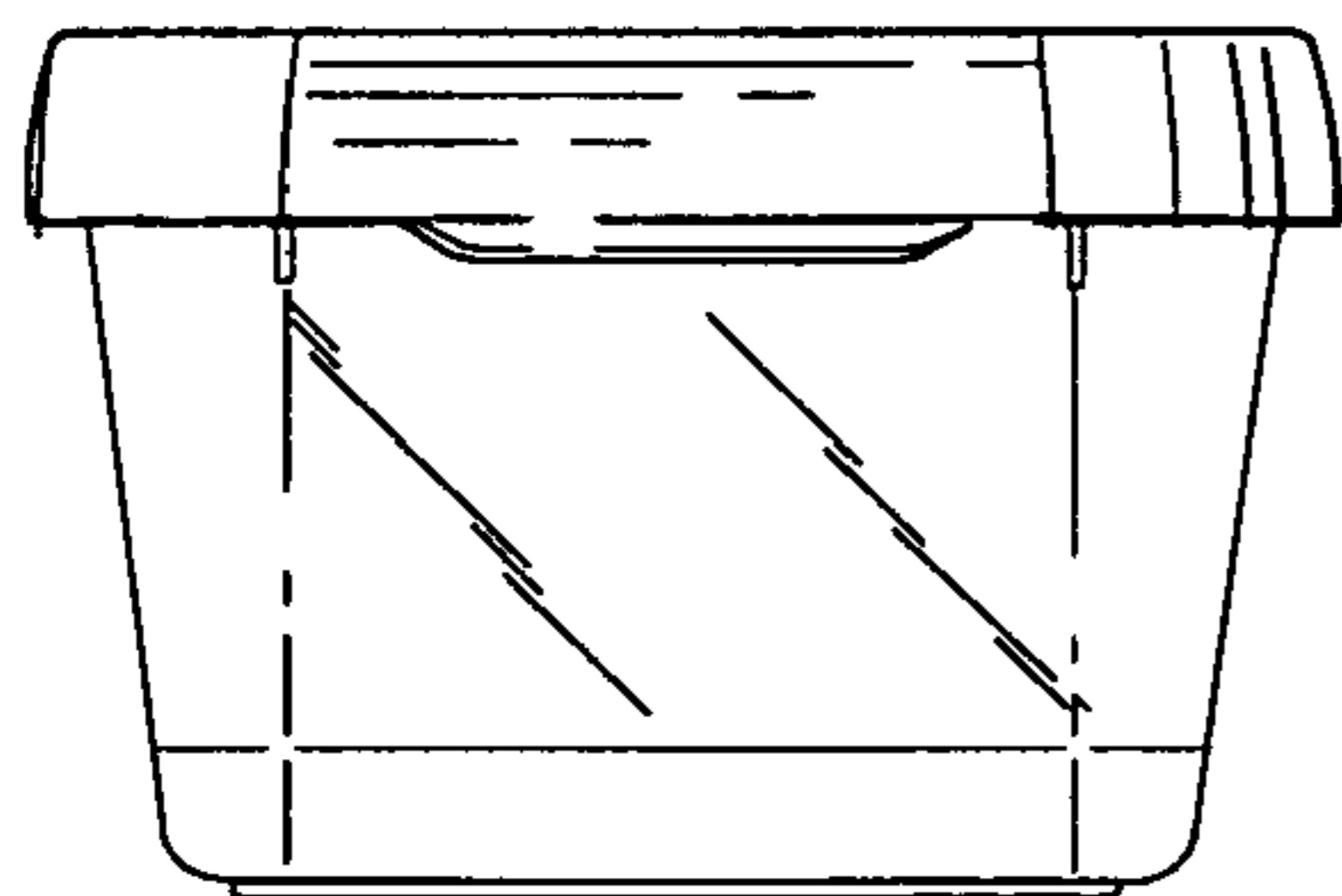


Fig. 79

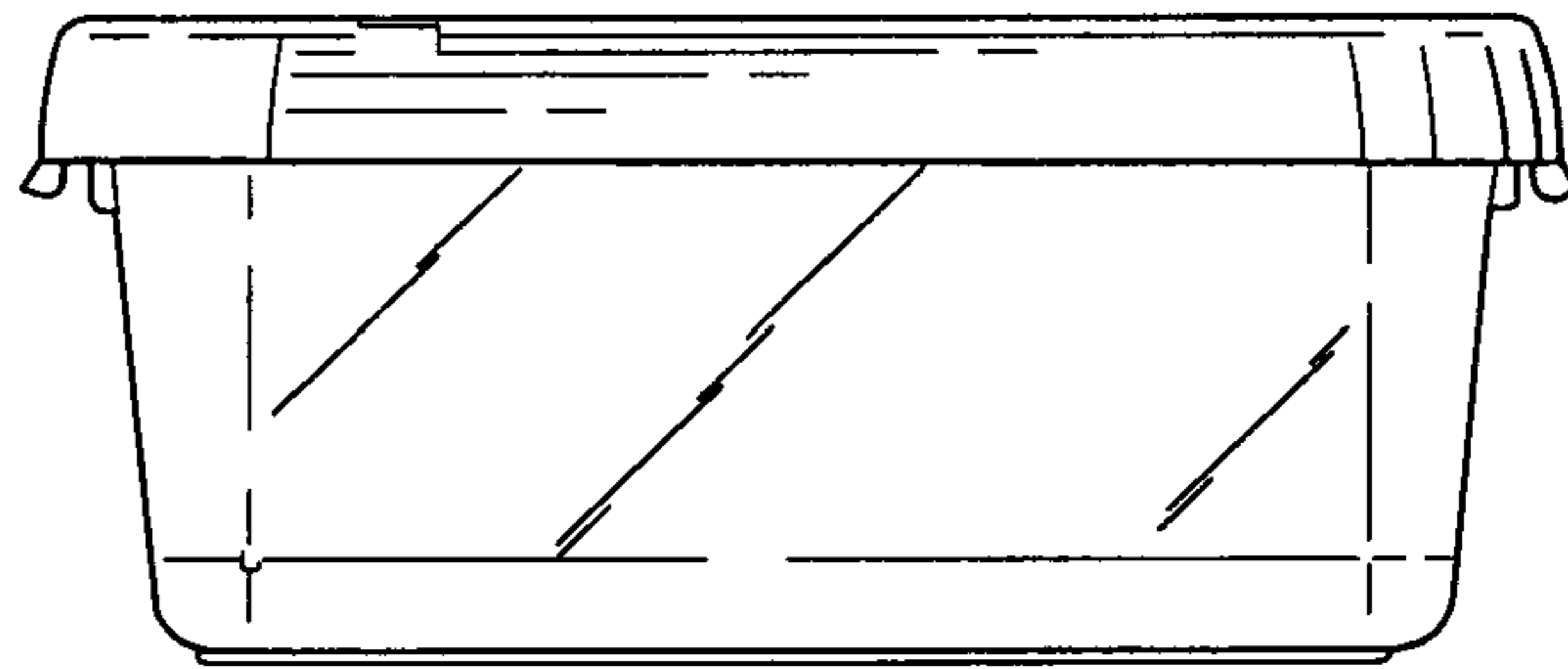


Fig. 80

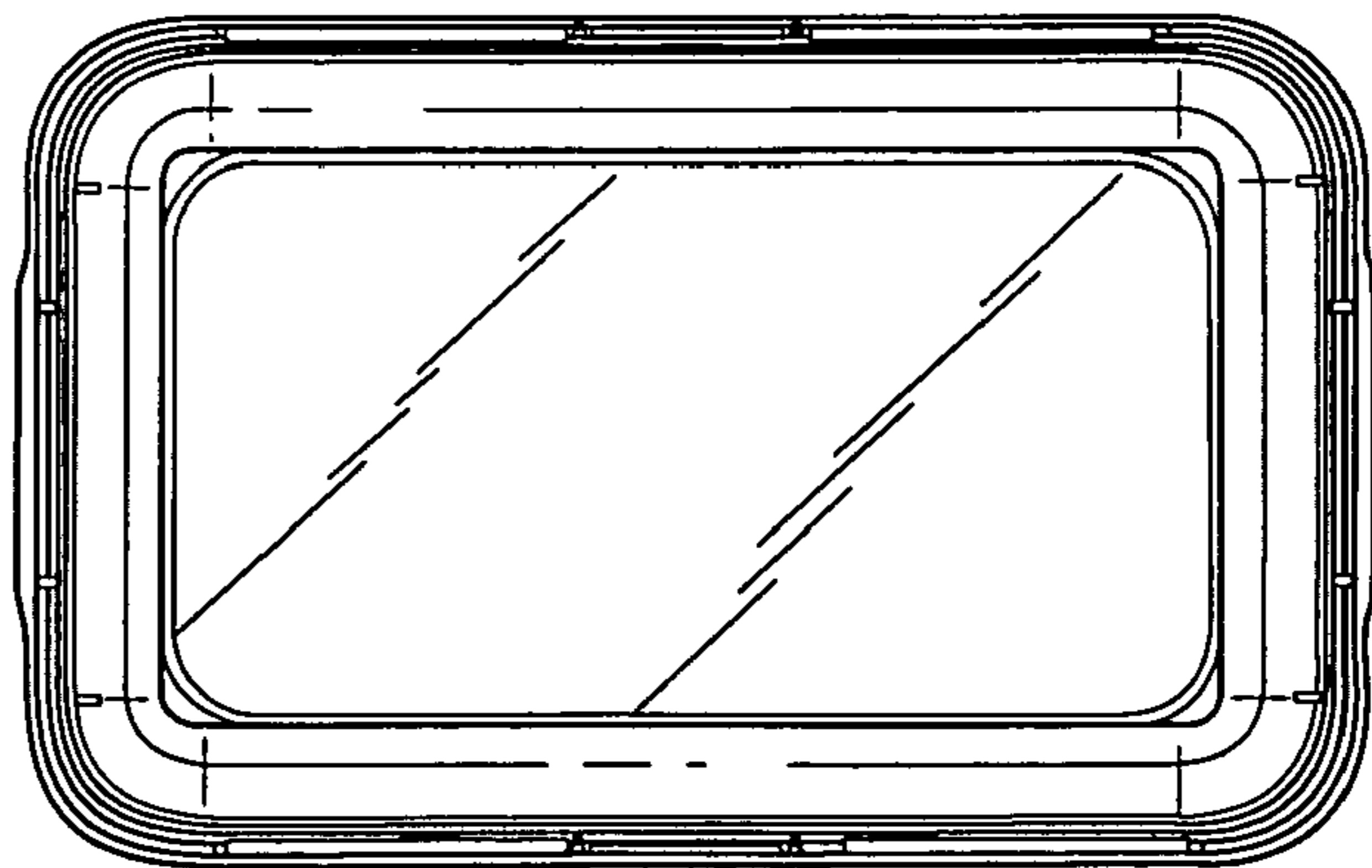


Fig. 81

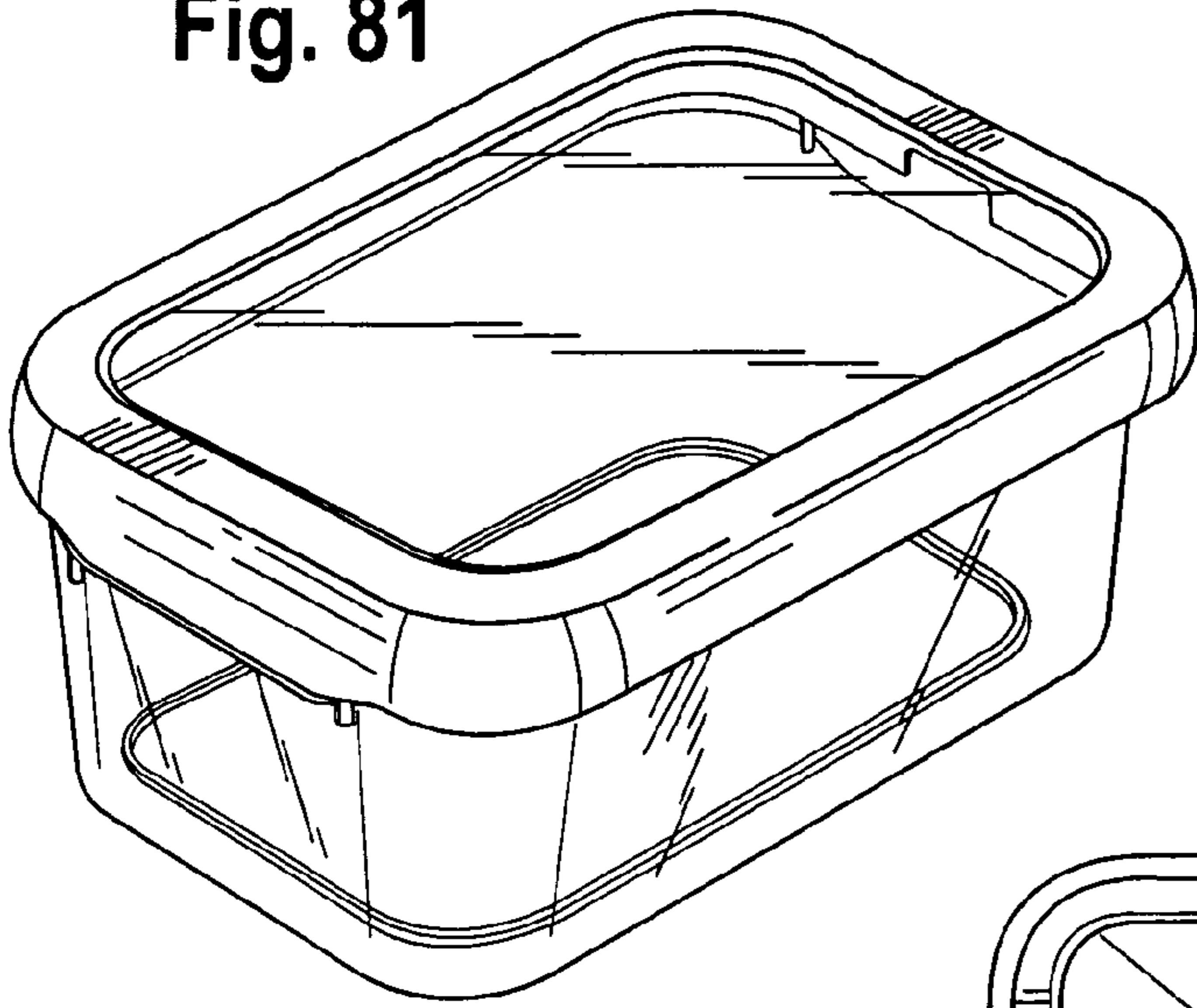


Fig. 83

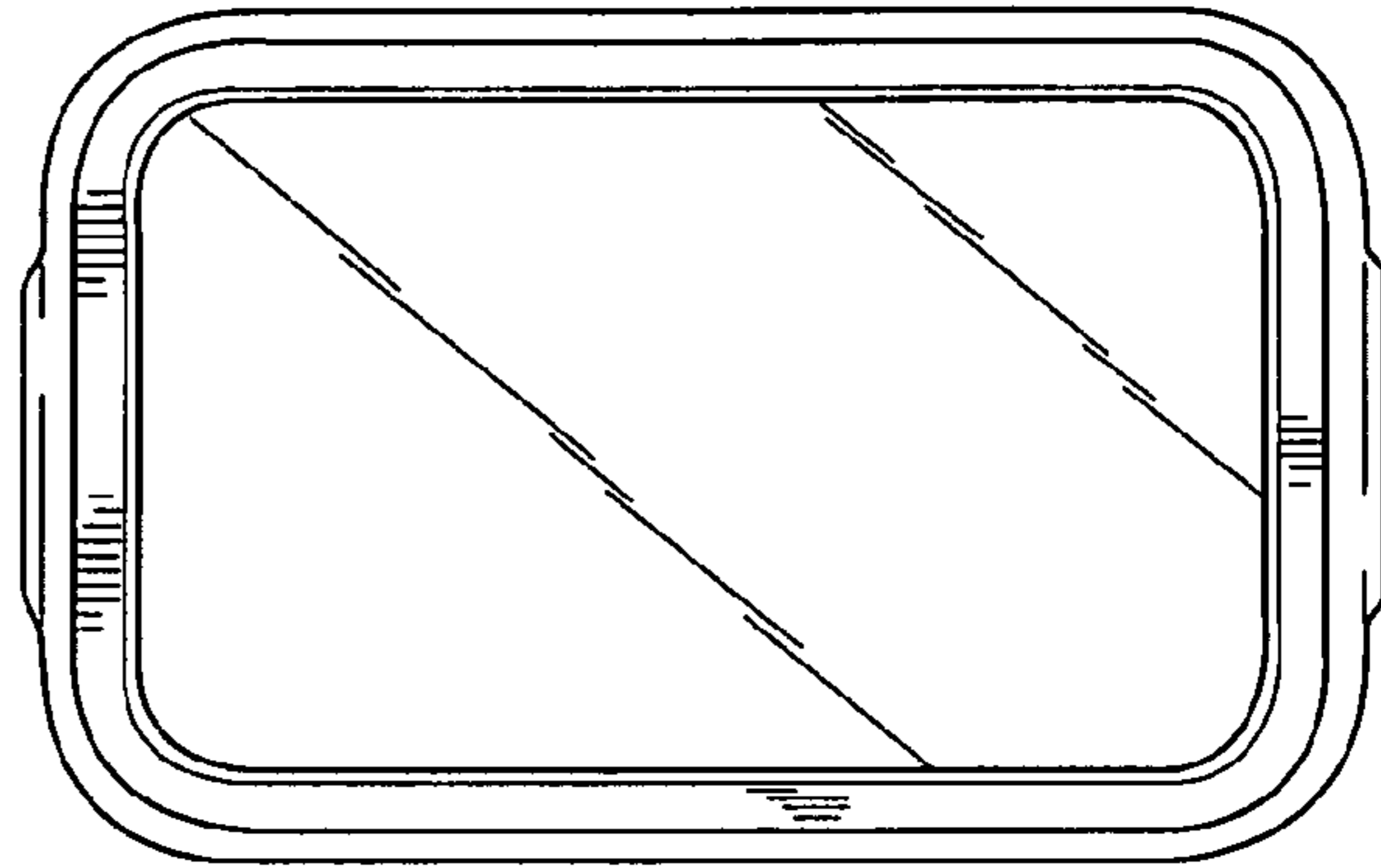


Fig. 82

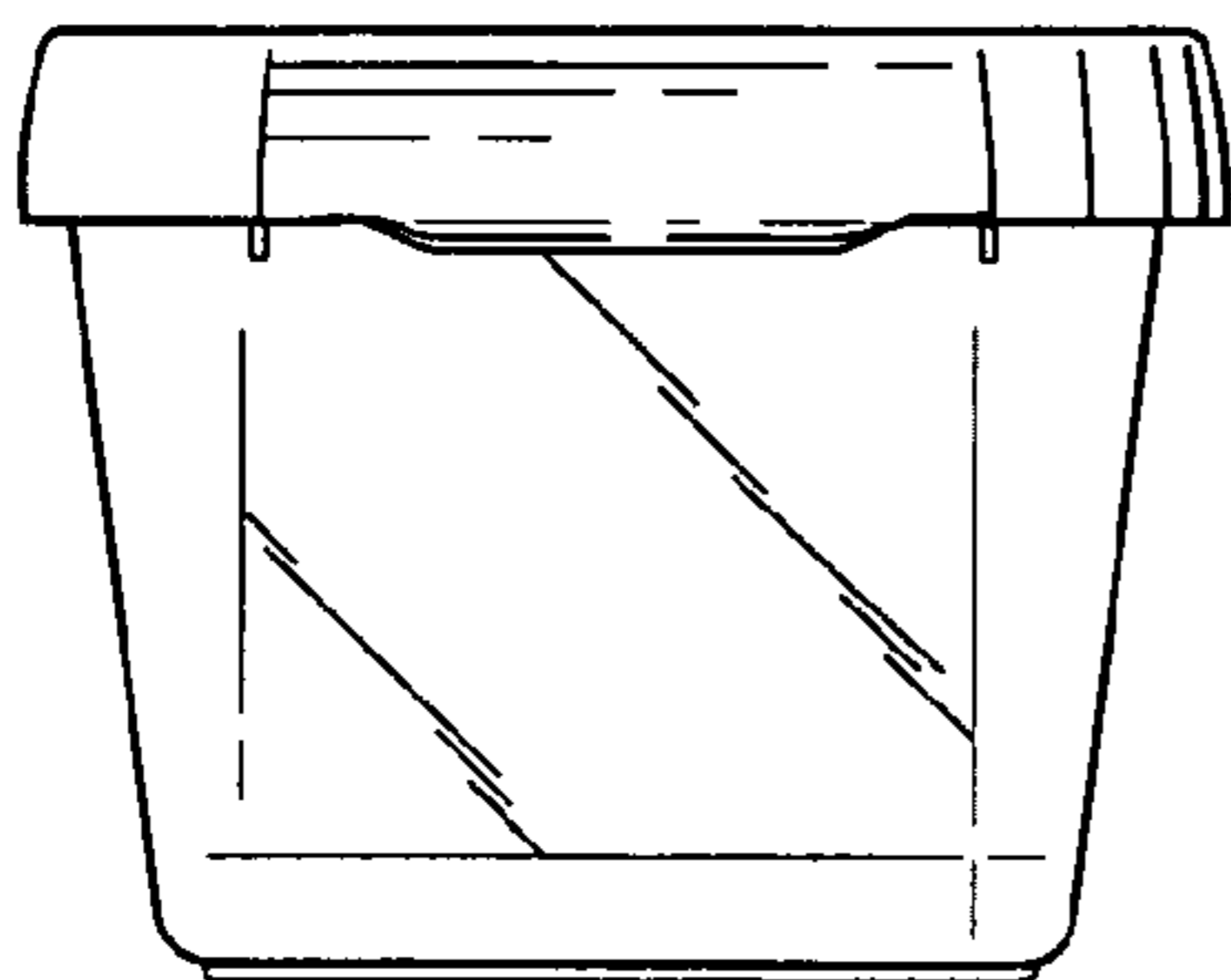


Fig. 84

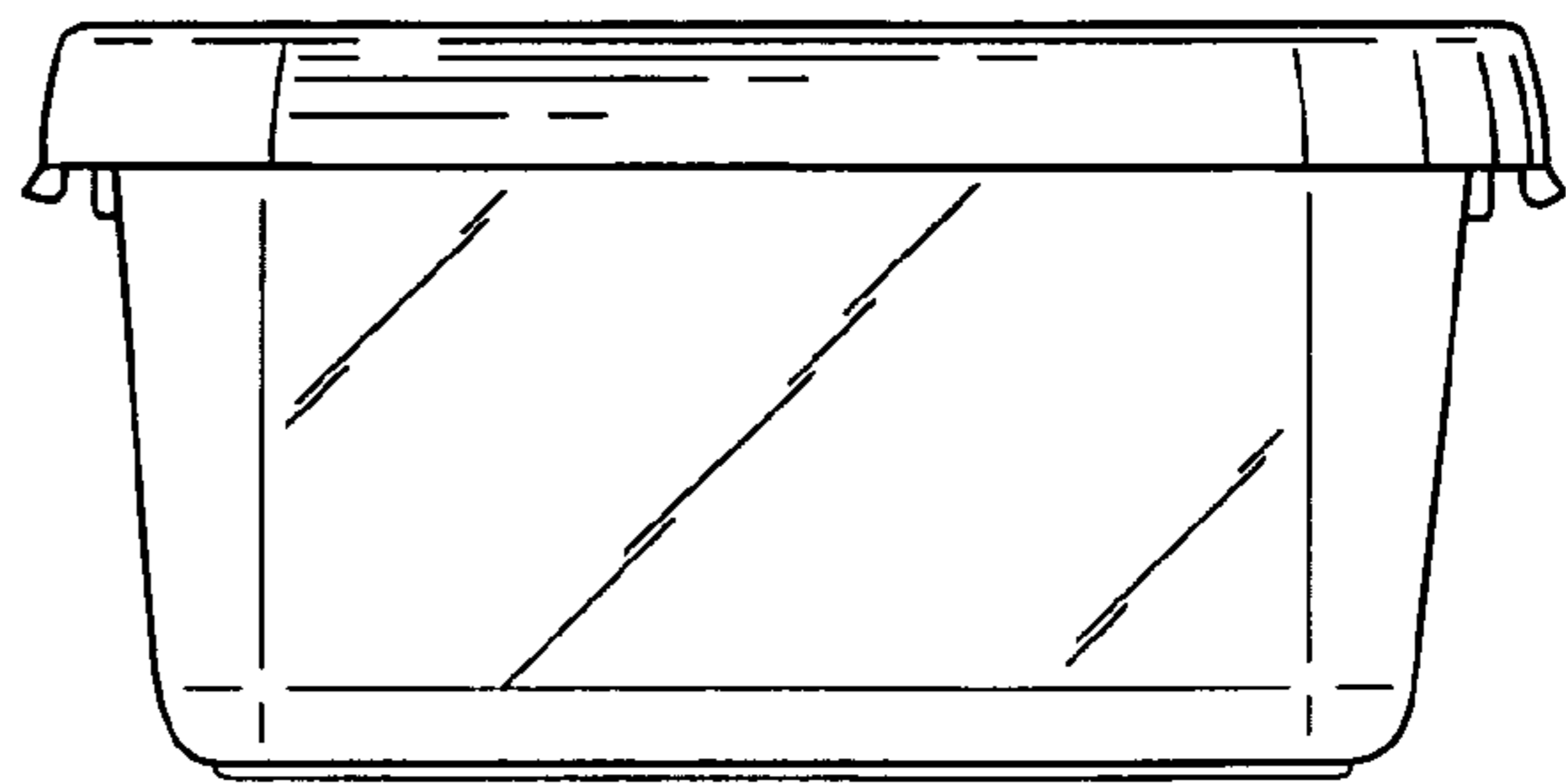


Fig. 85

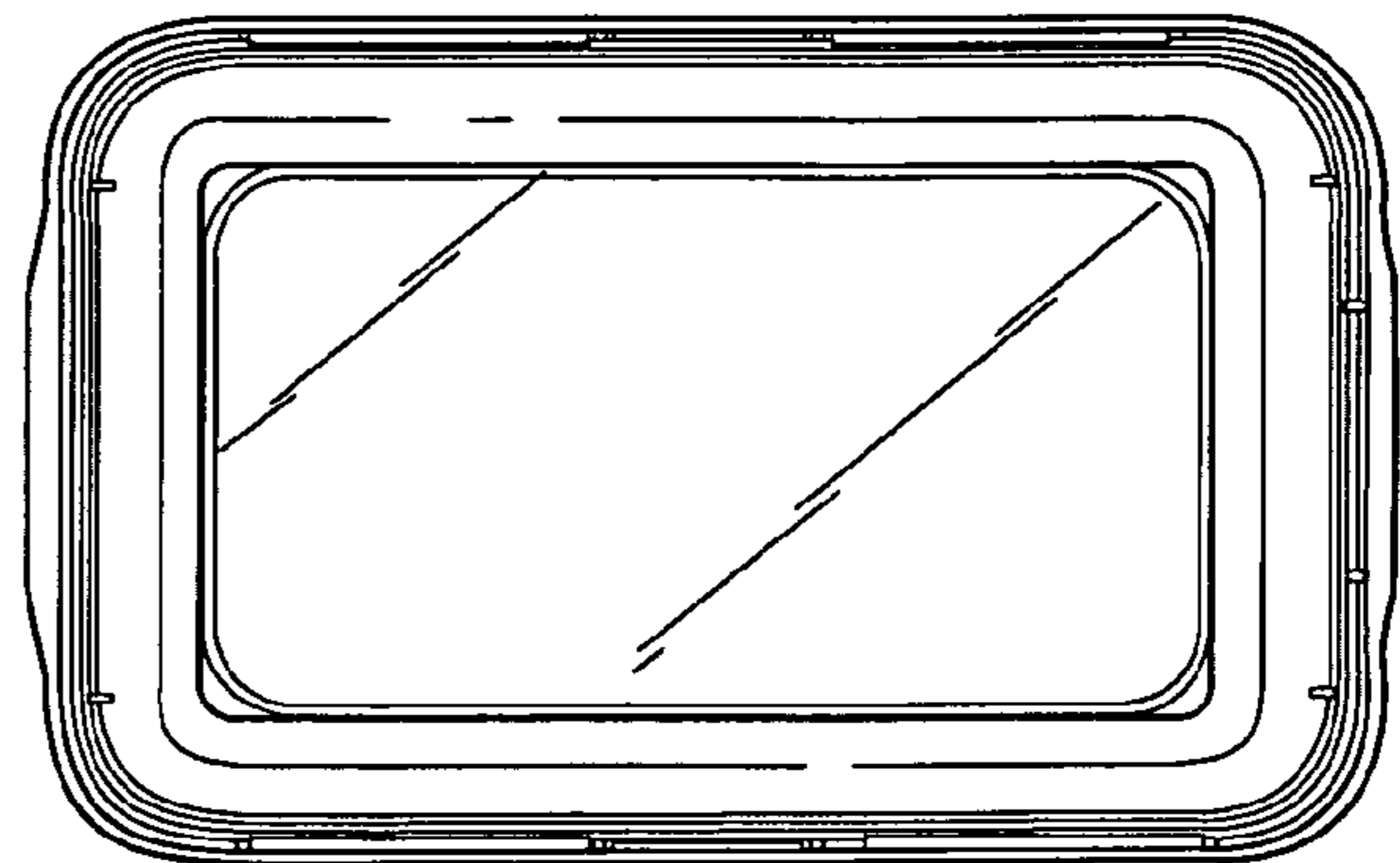


Fig. 86

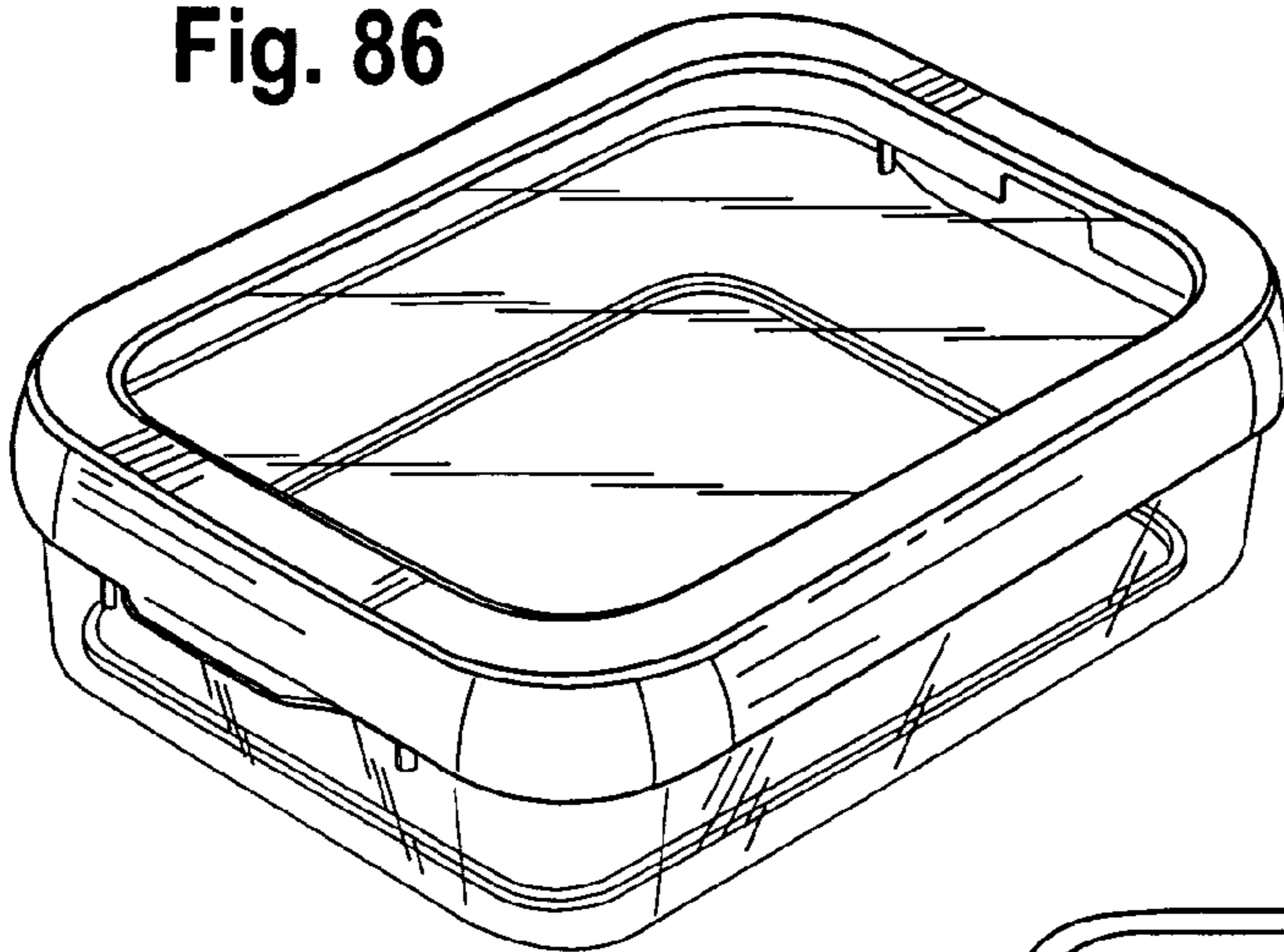


Fig. 88

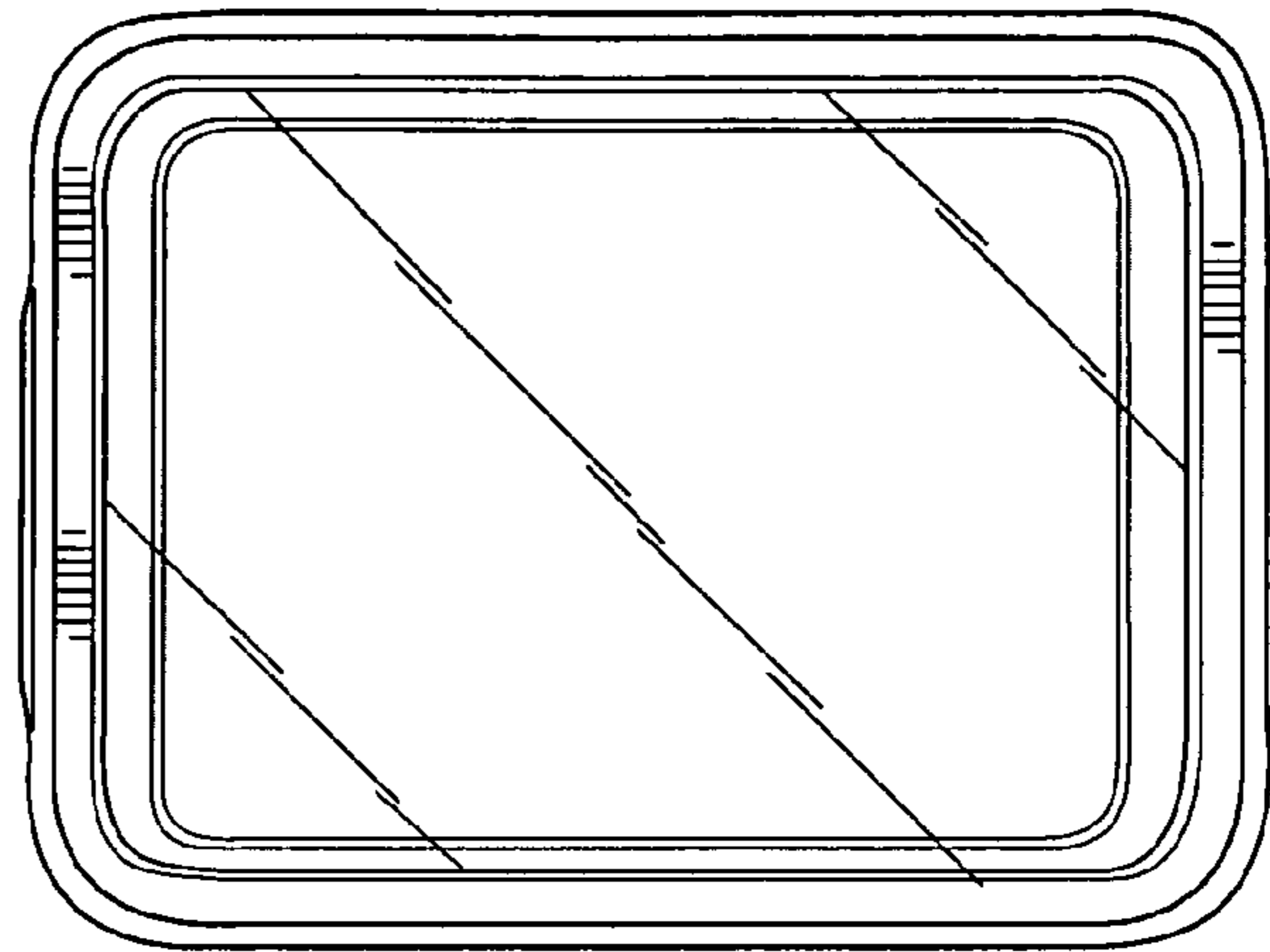


Fig. 87

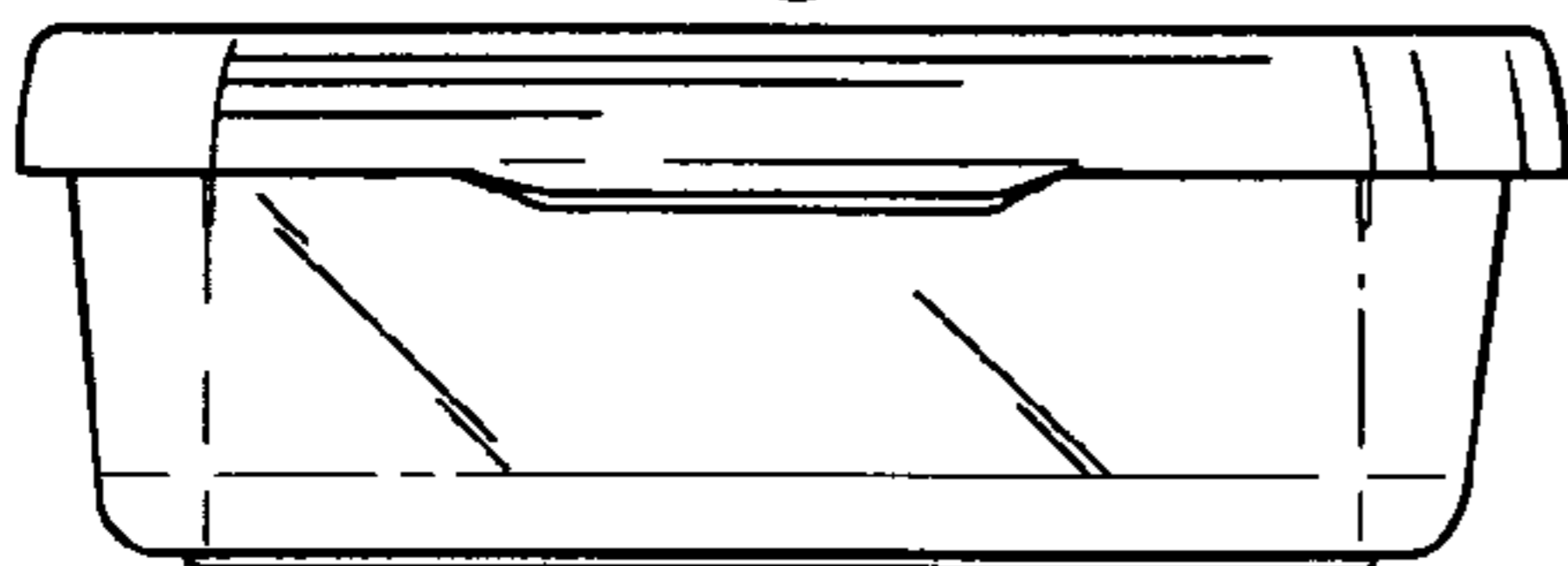


Fig. 89

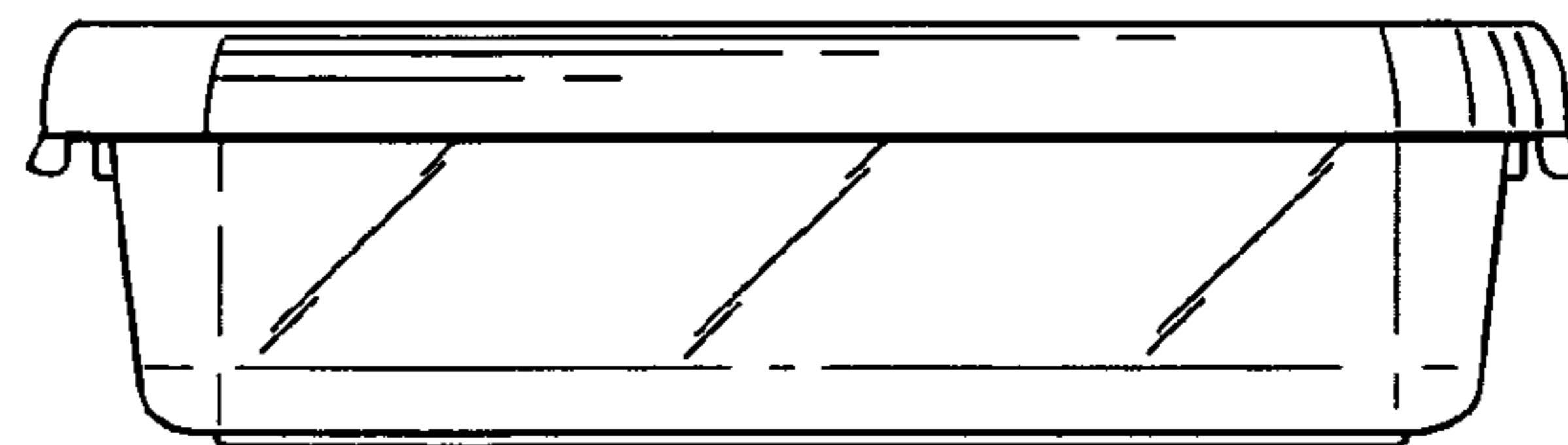


Fig. 90

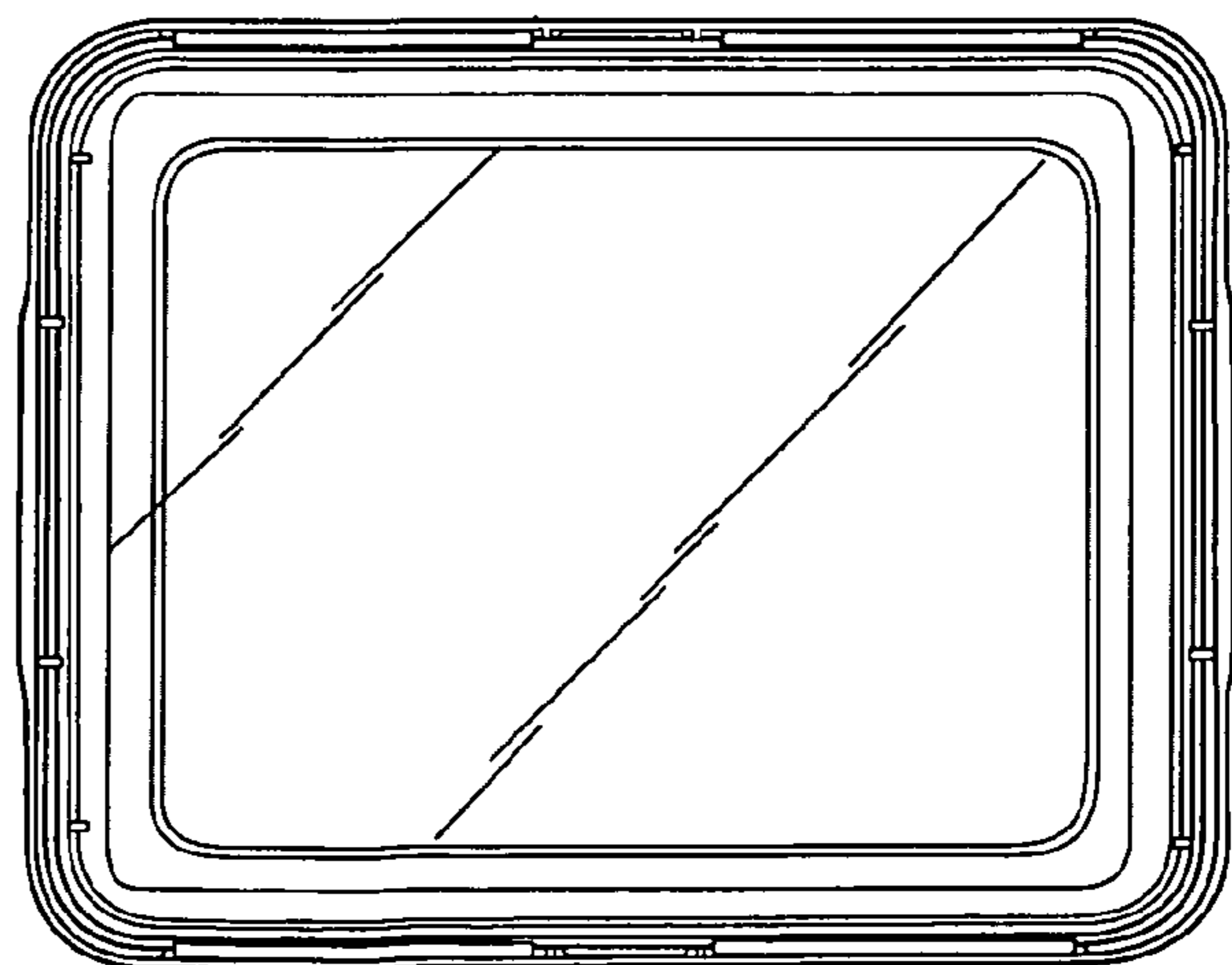


Fig. 91

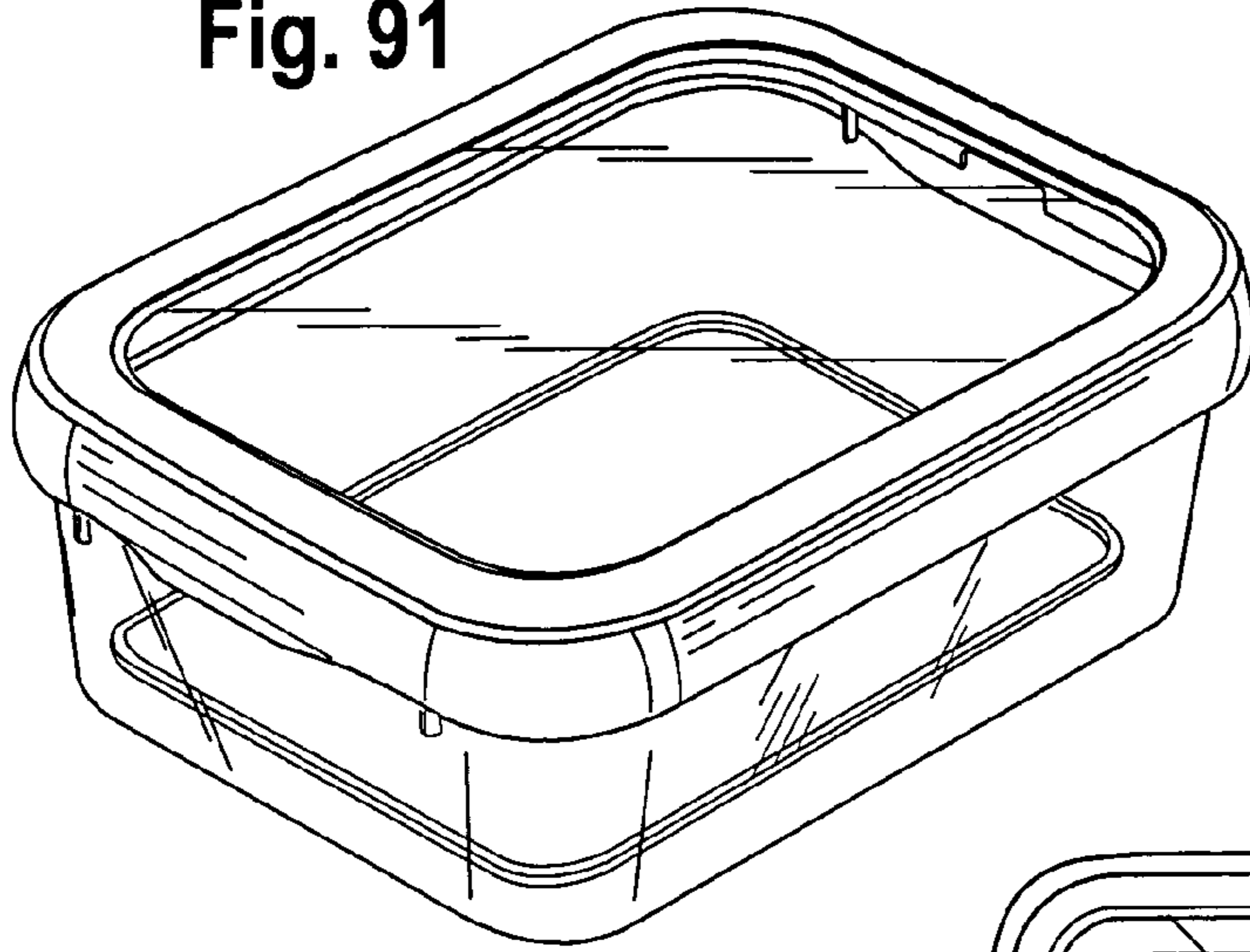


Fig. 93

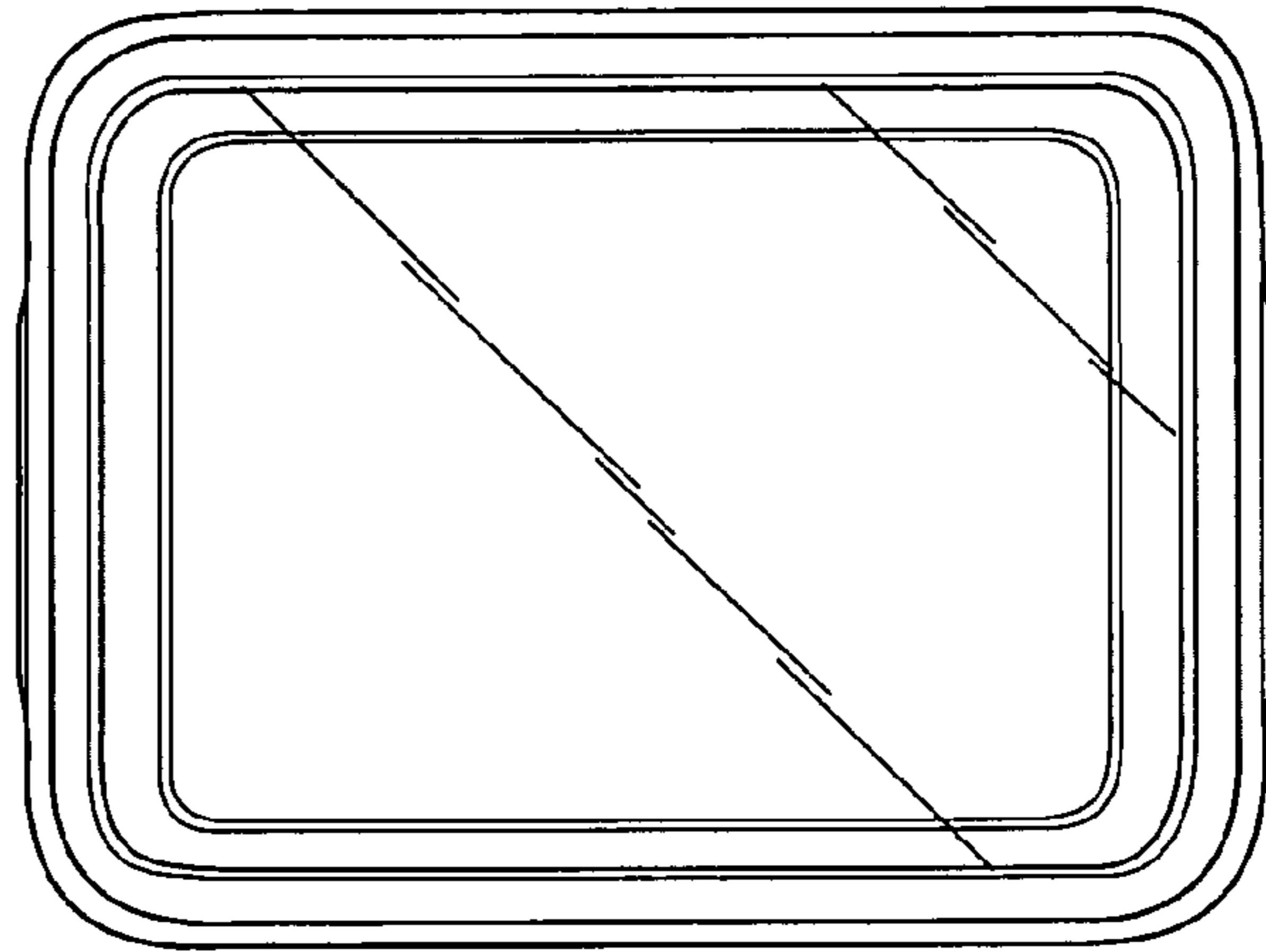


Fig. 92

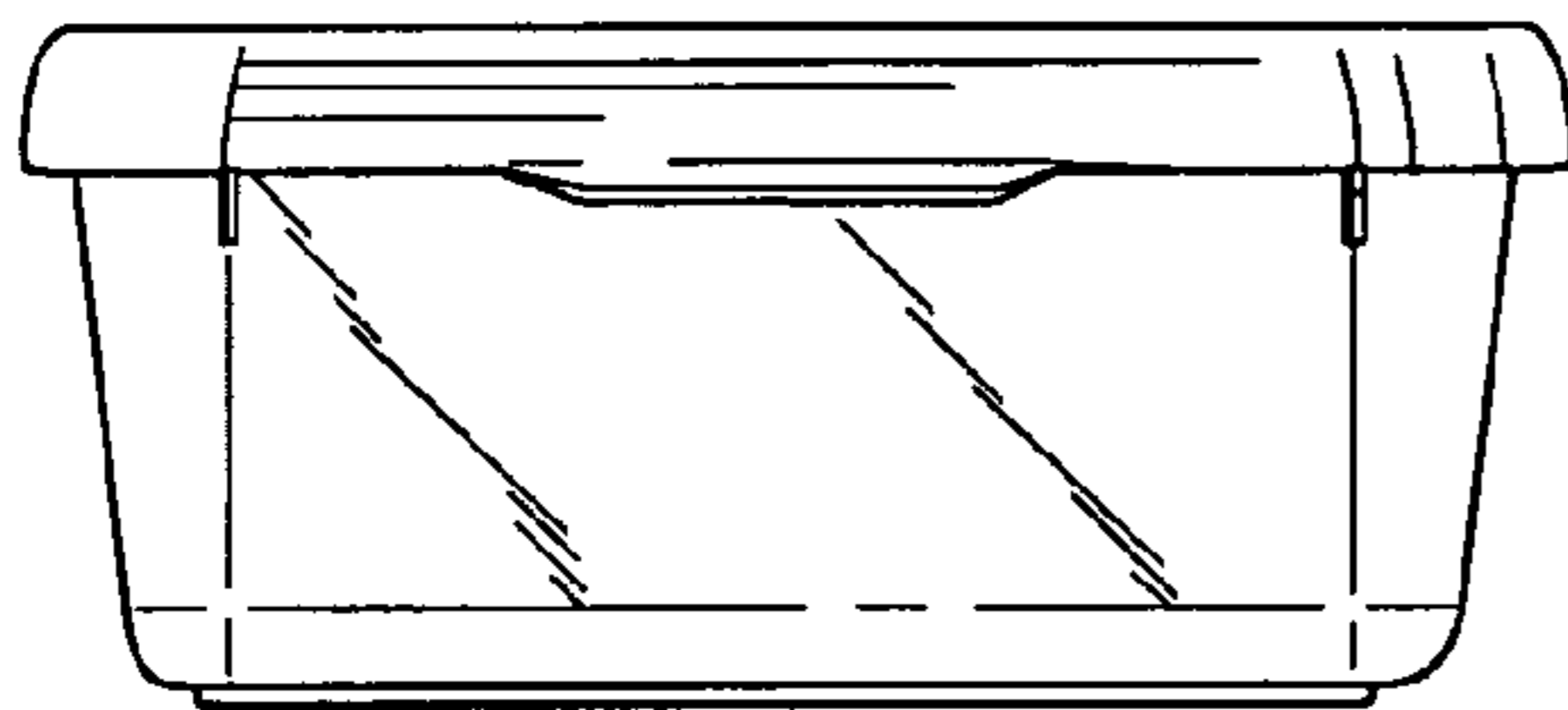


Fig. 94

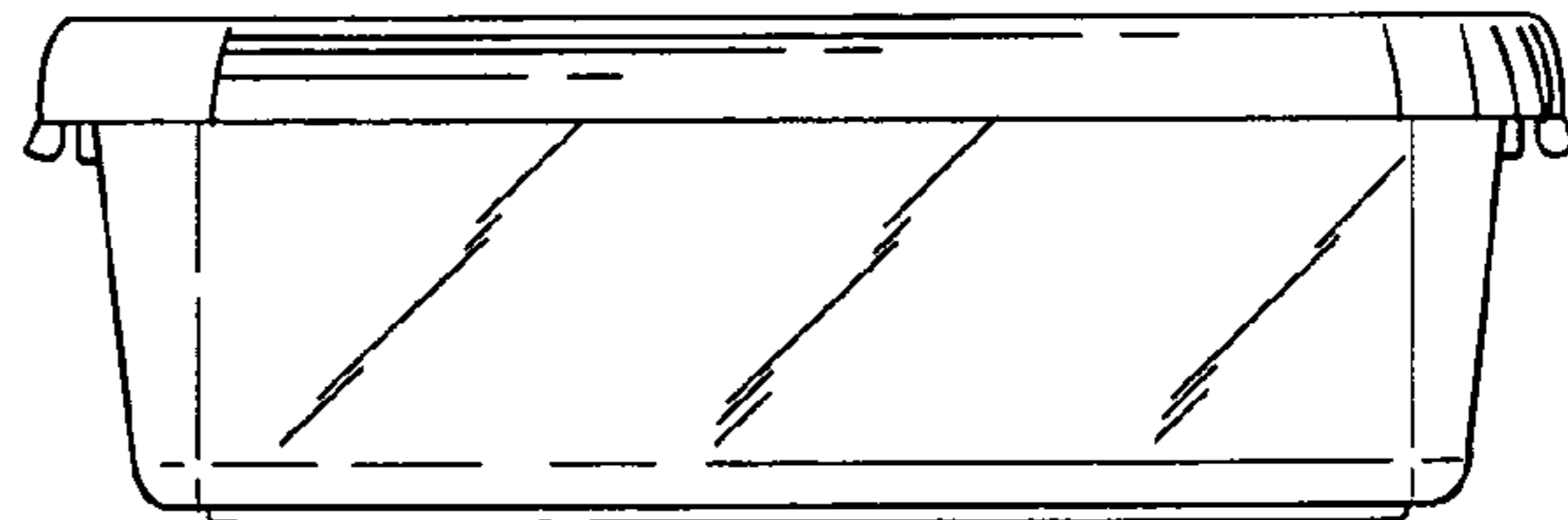


Fig. 95

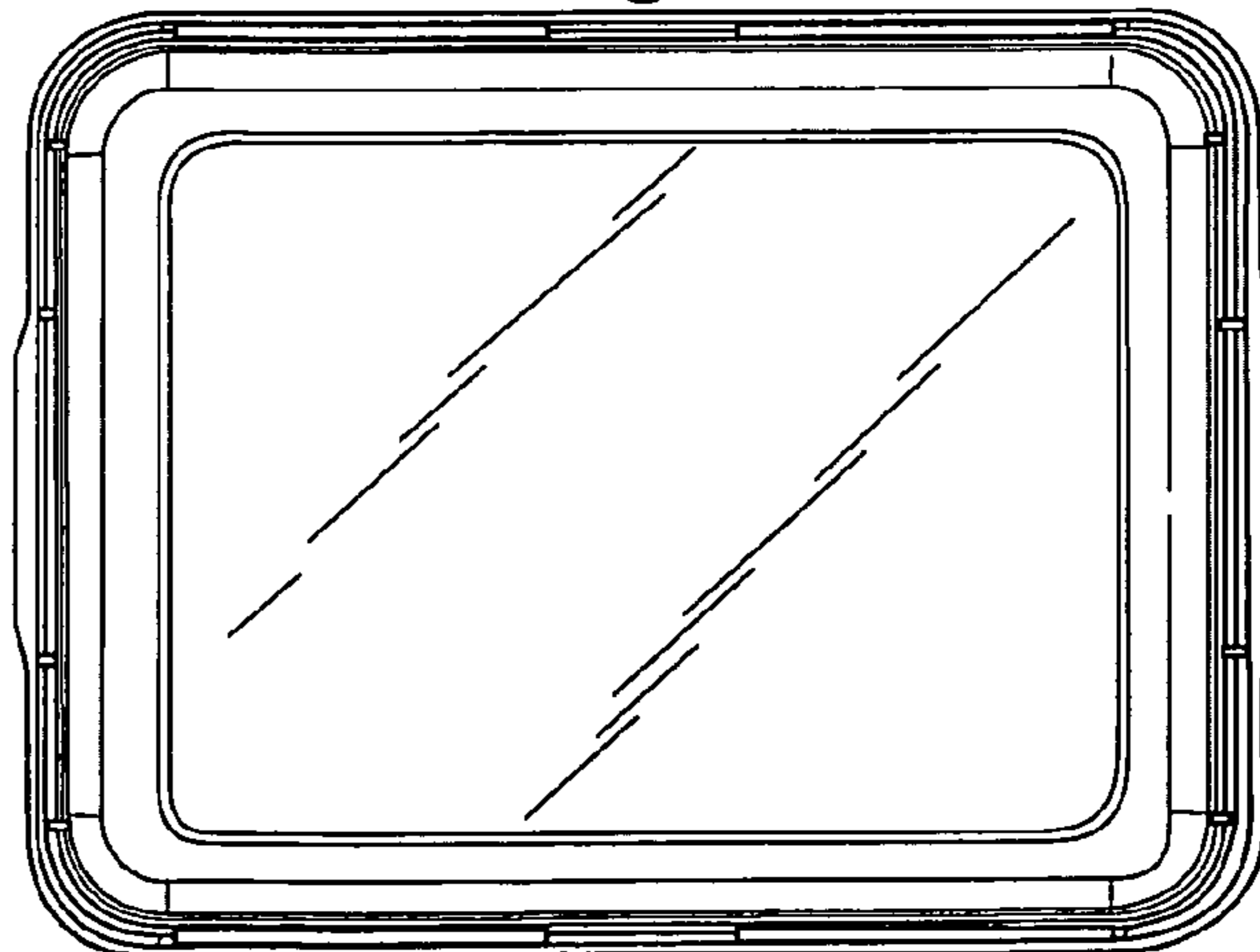


Fig. 96

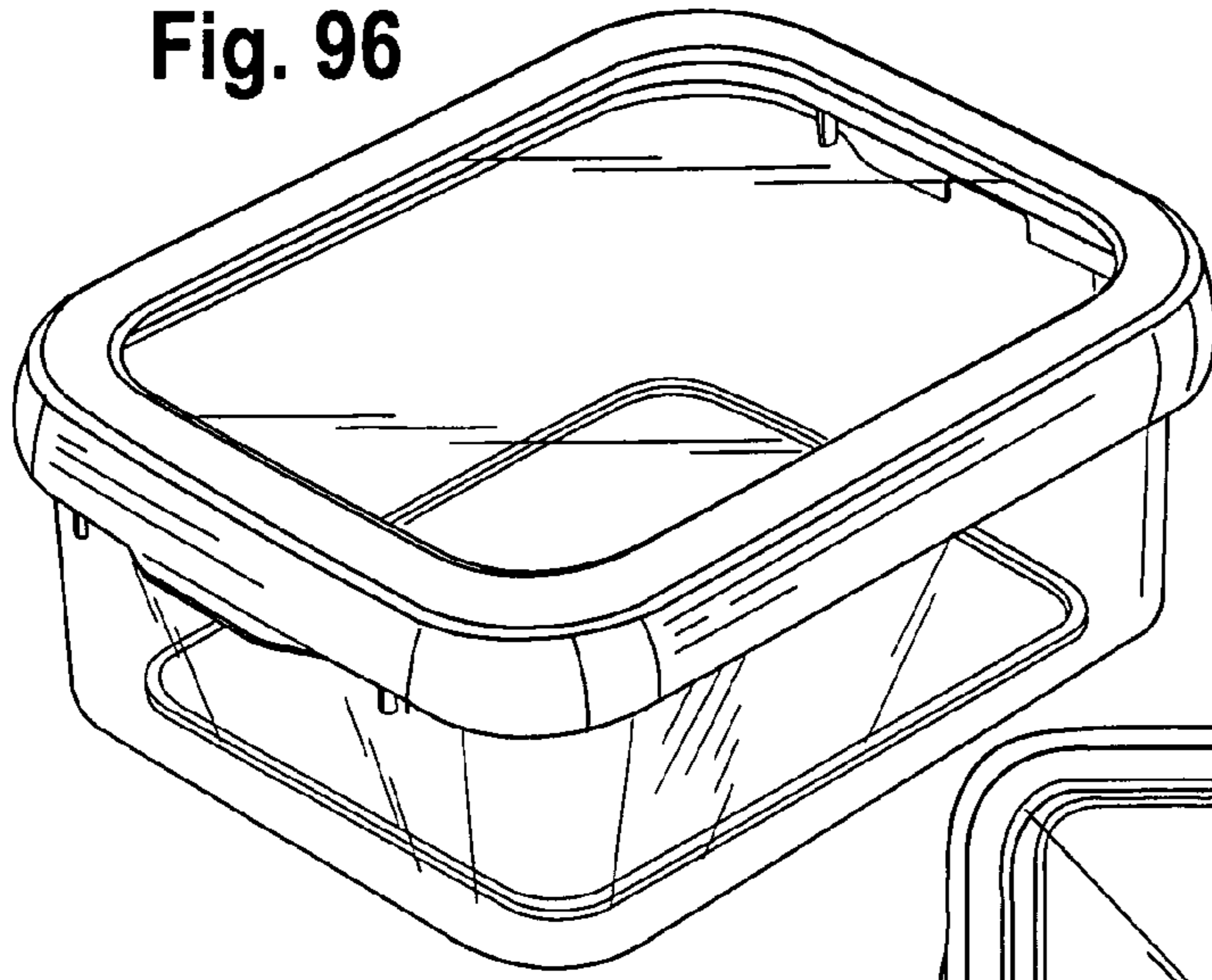


Fig. 98

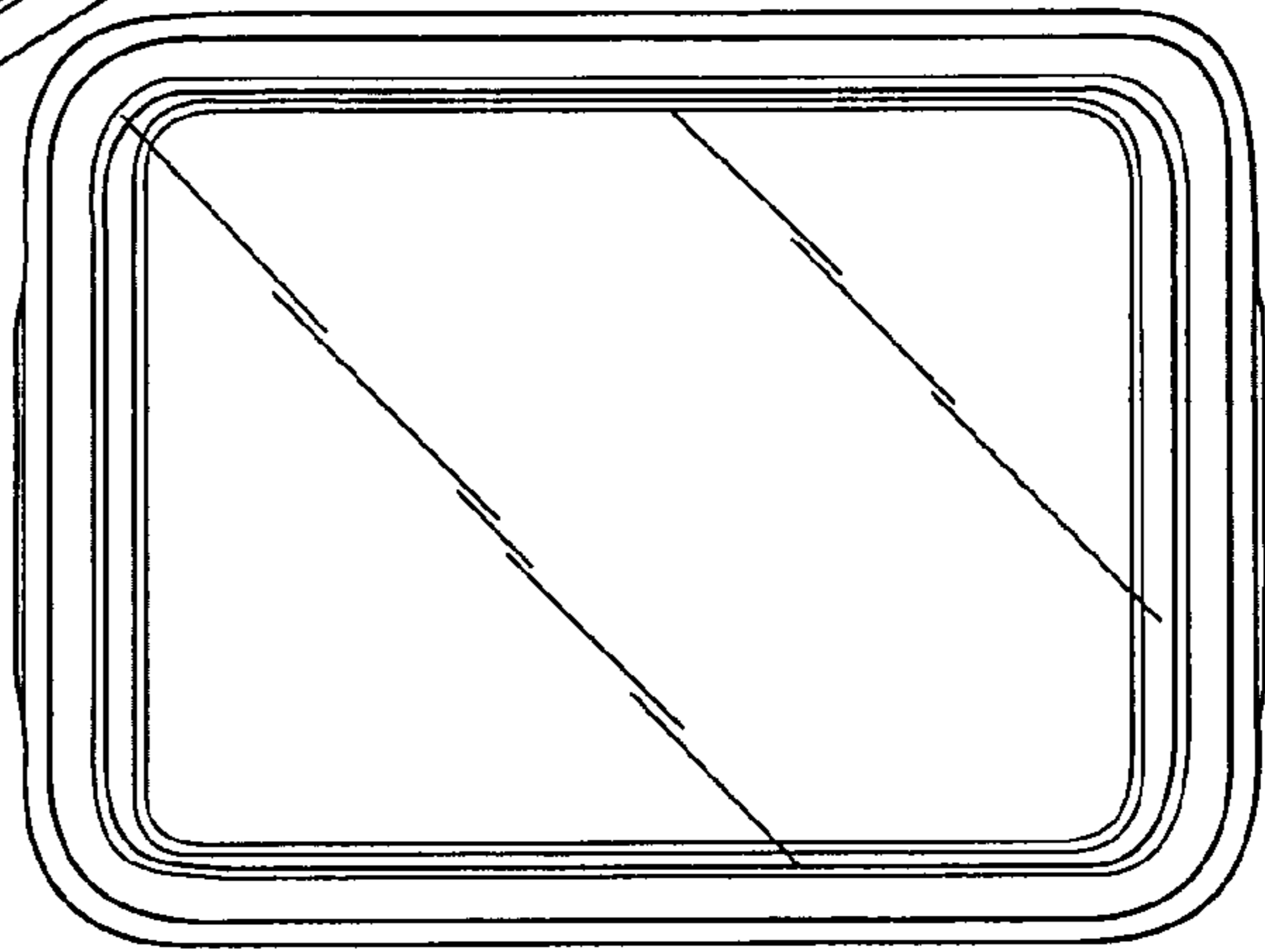


Fig. 97

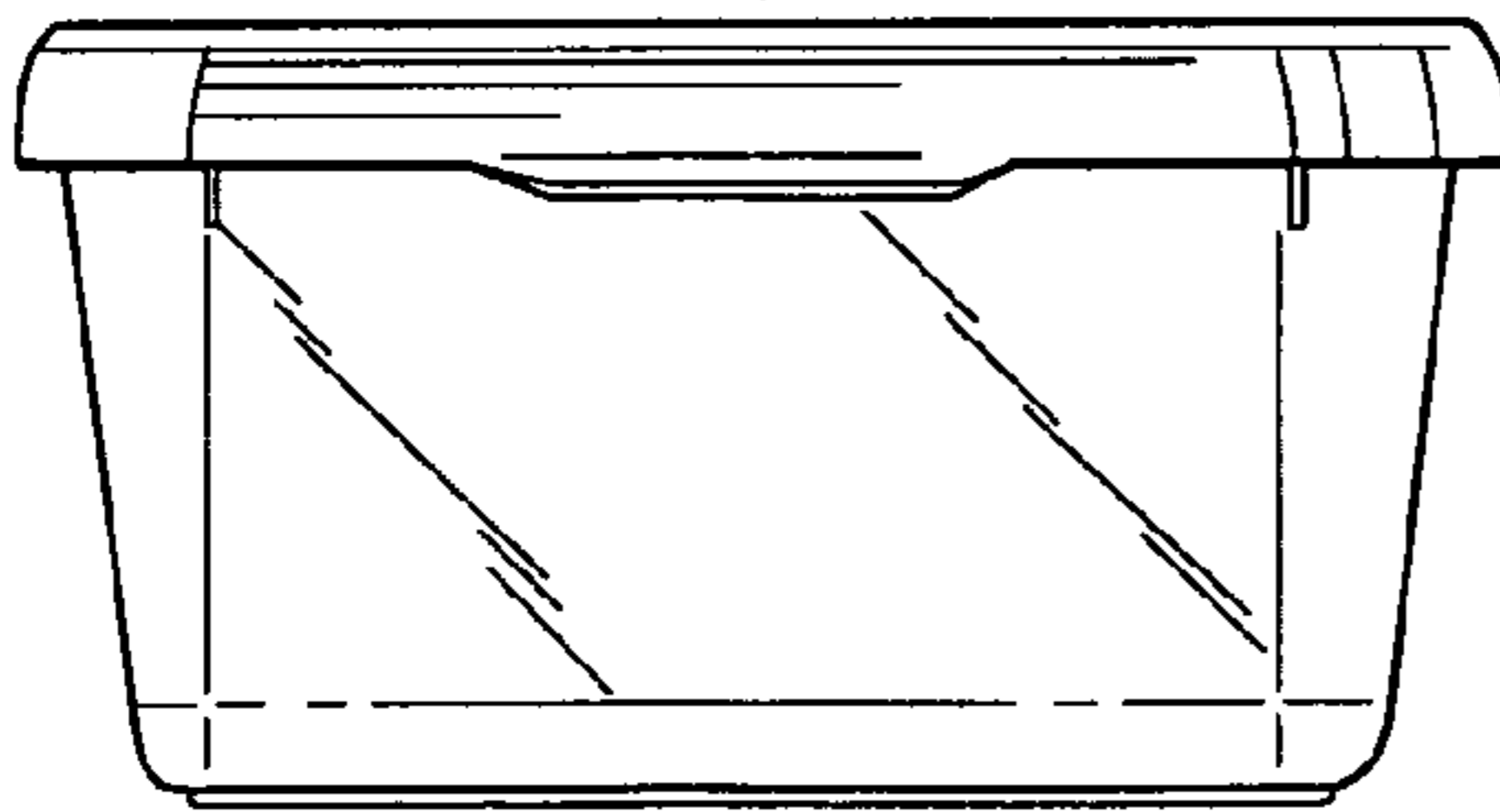


Fig. 99

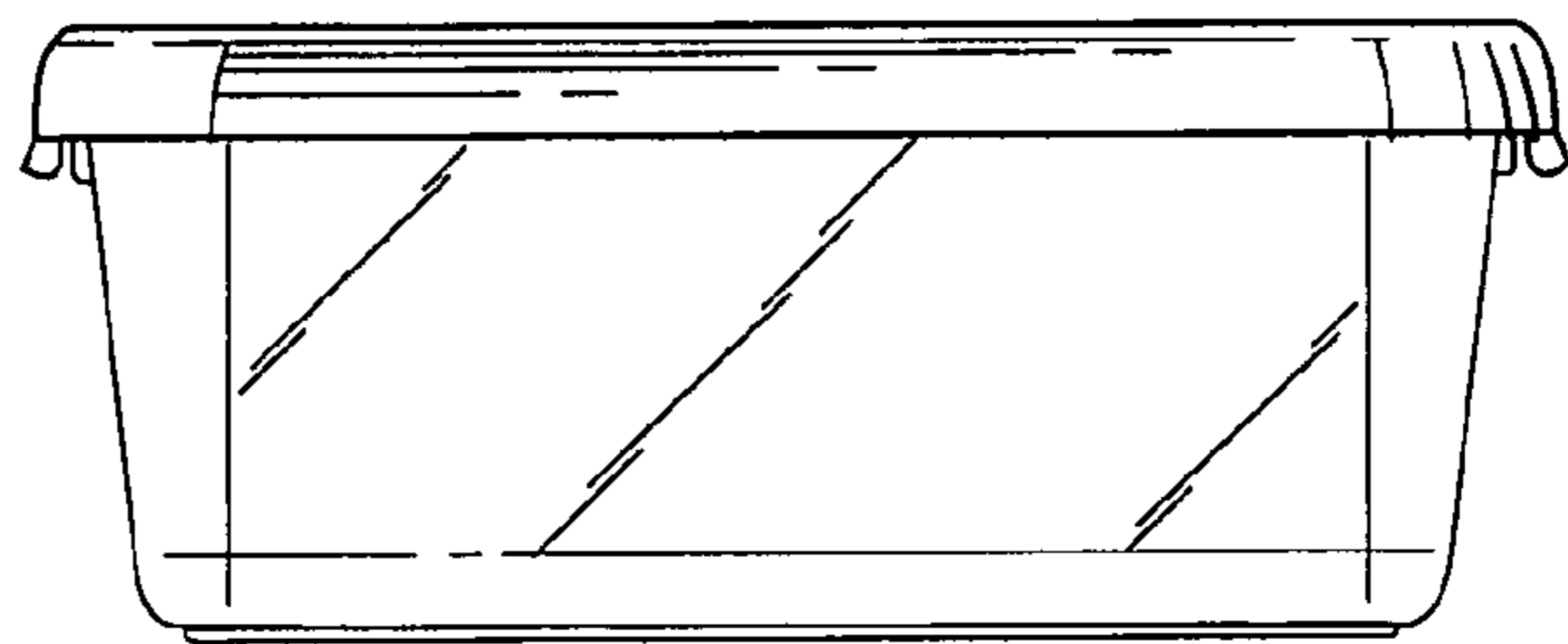


Fig. 100

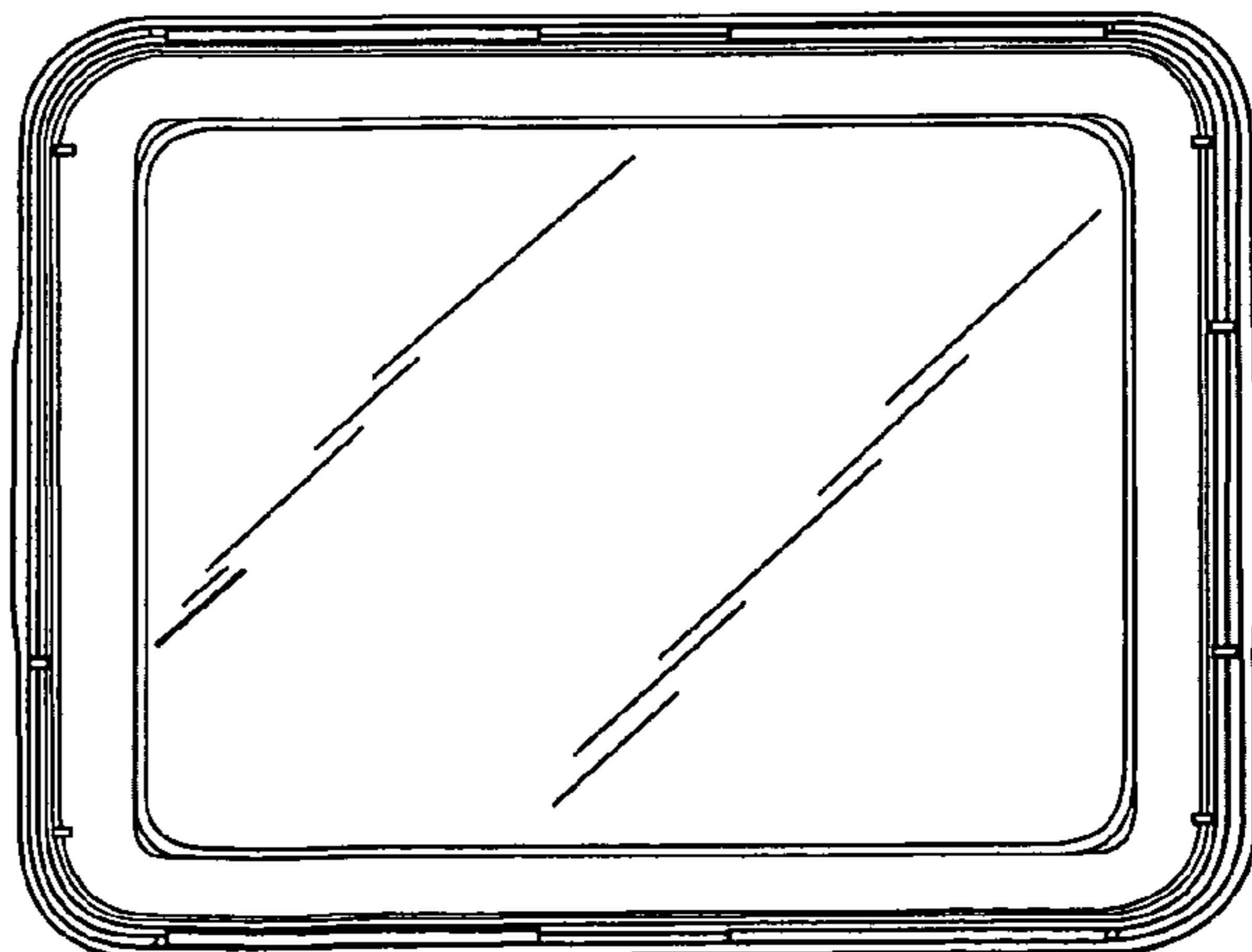


Fig. 101

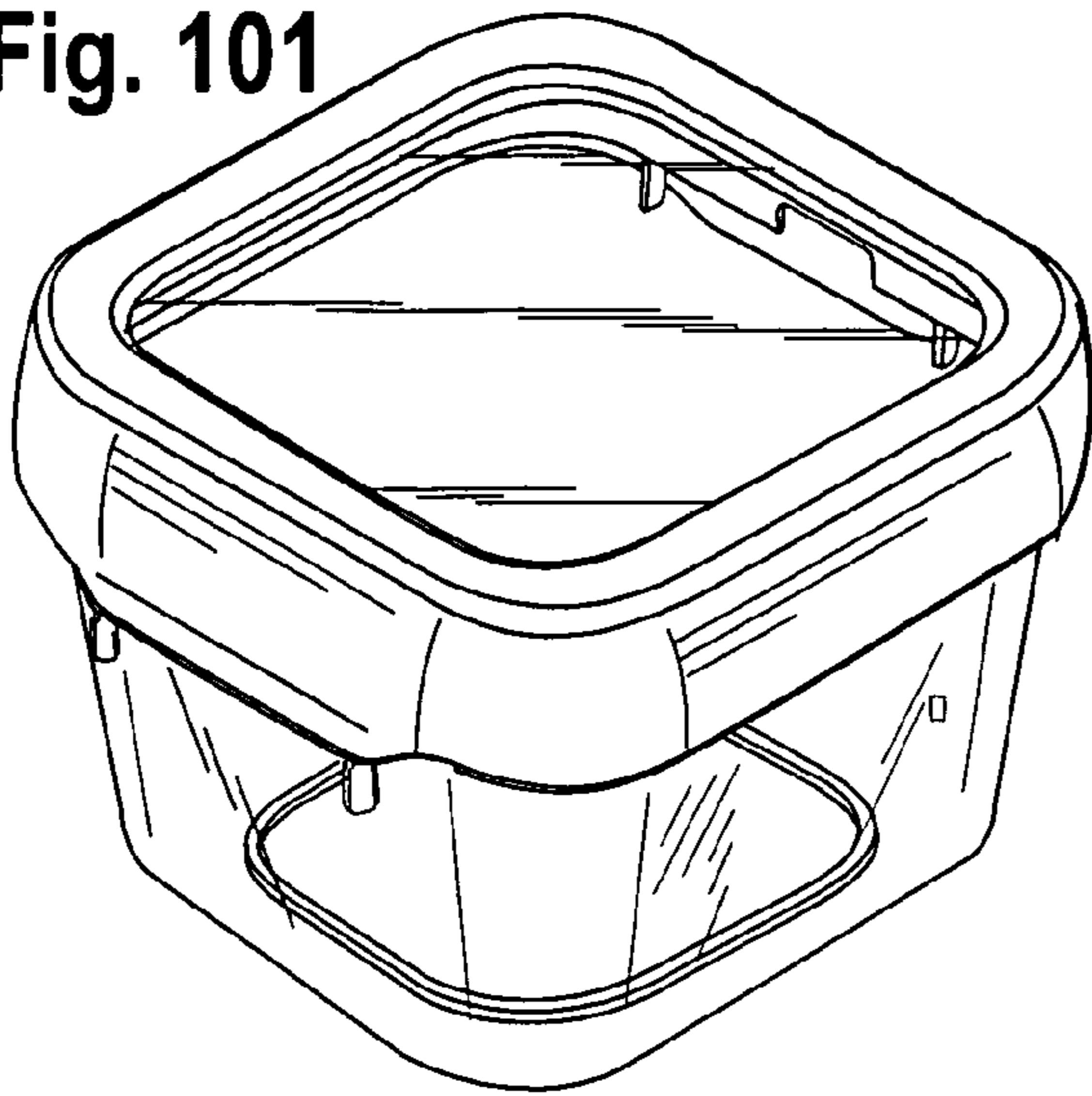


Fig. 103

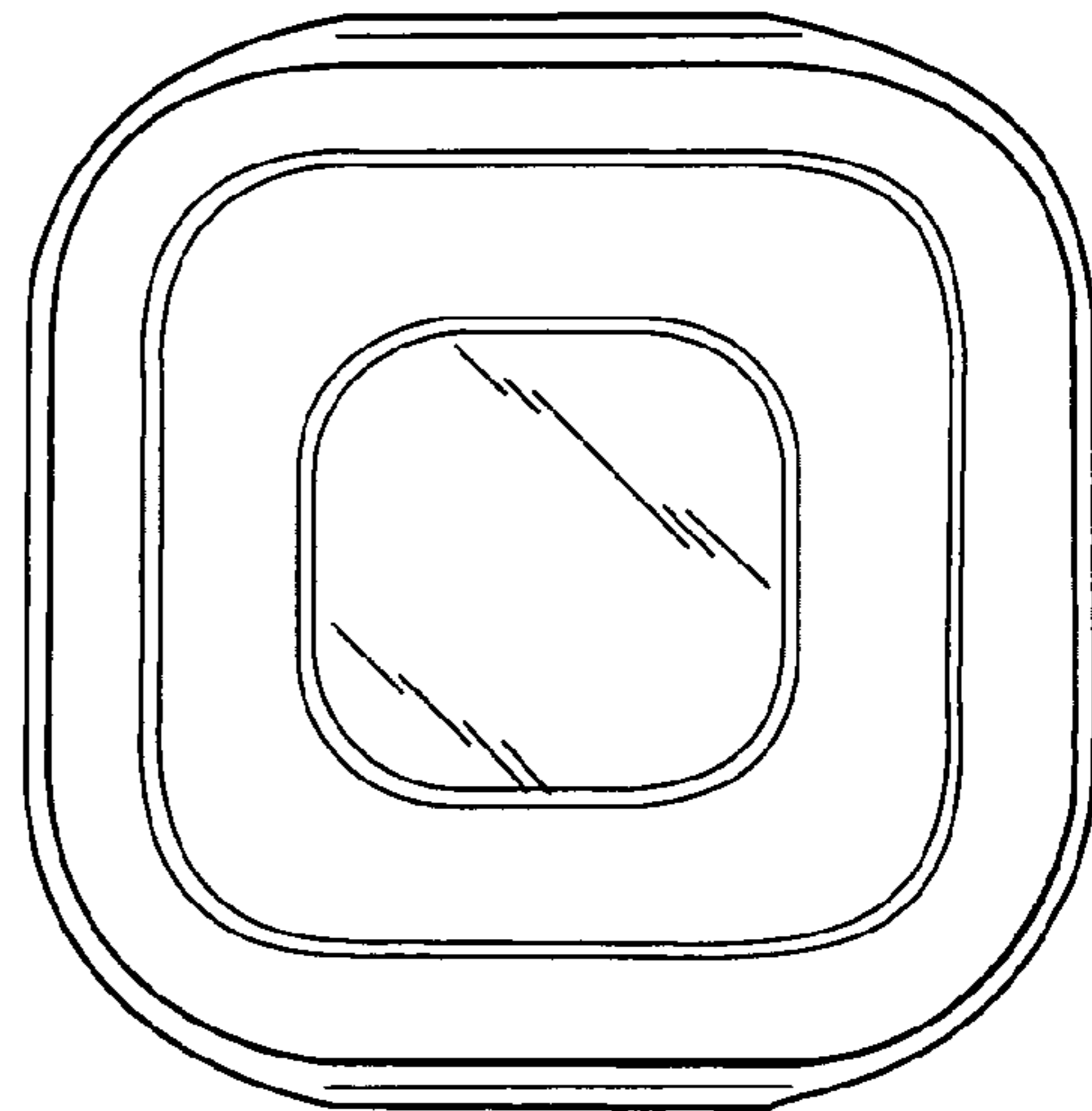


Fig. 102

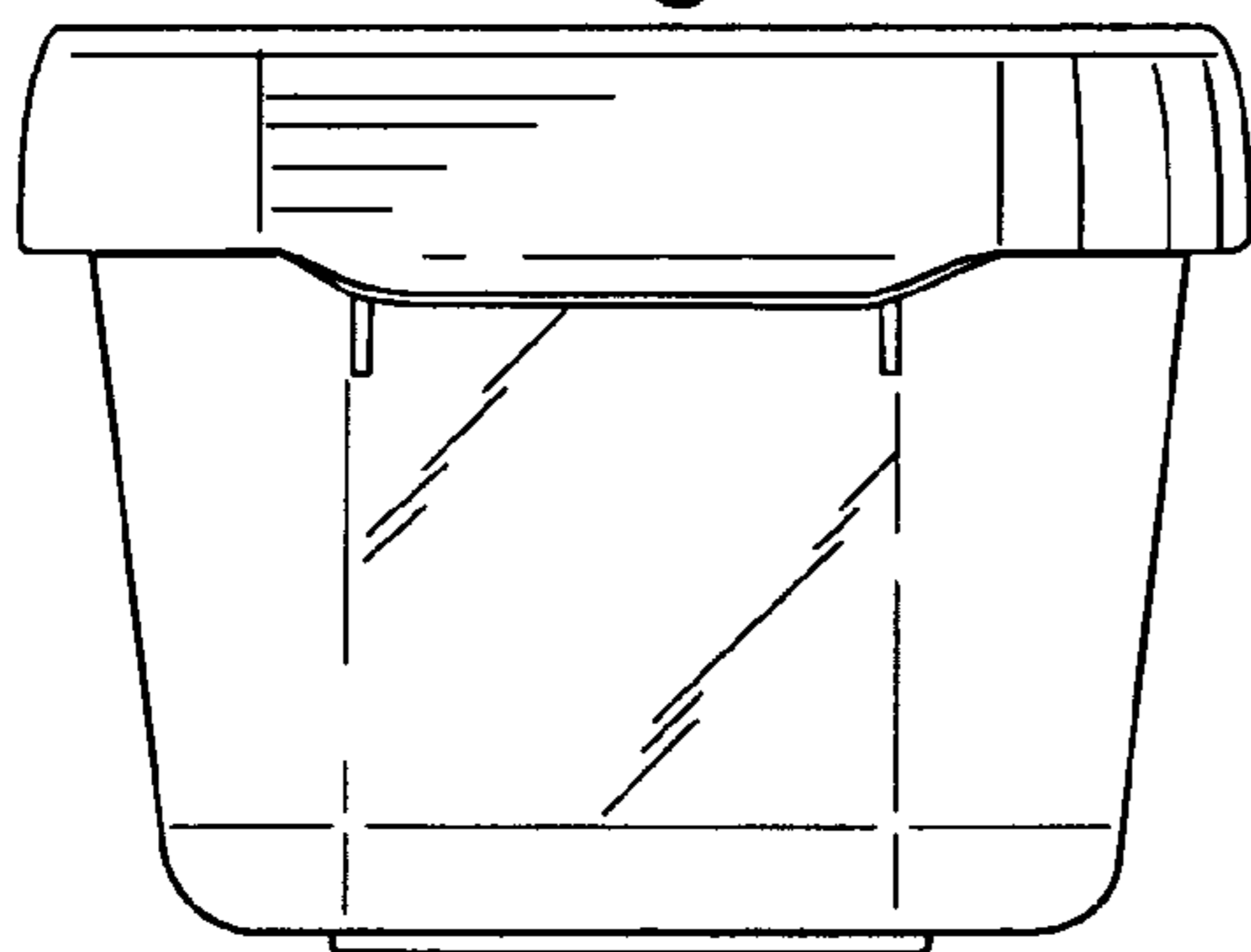


Fig. 104

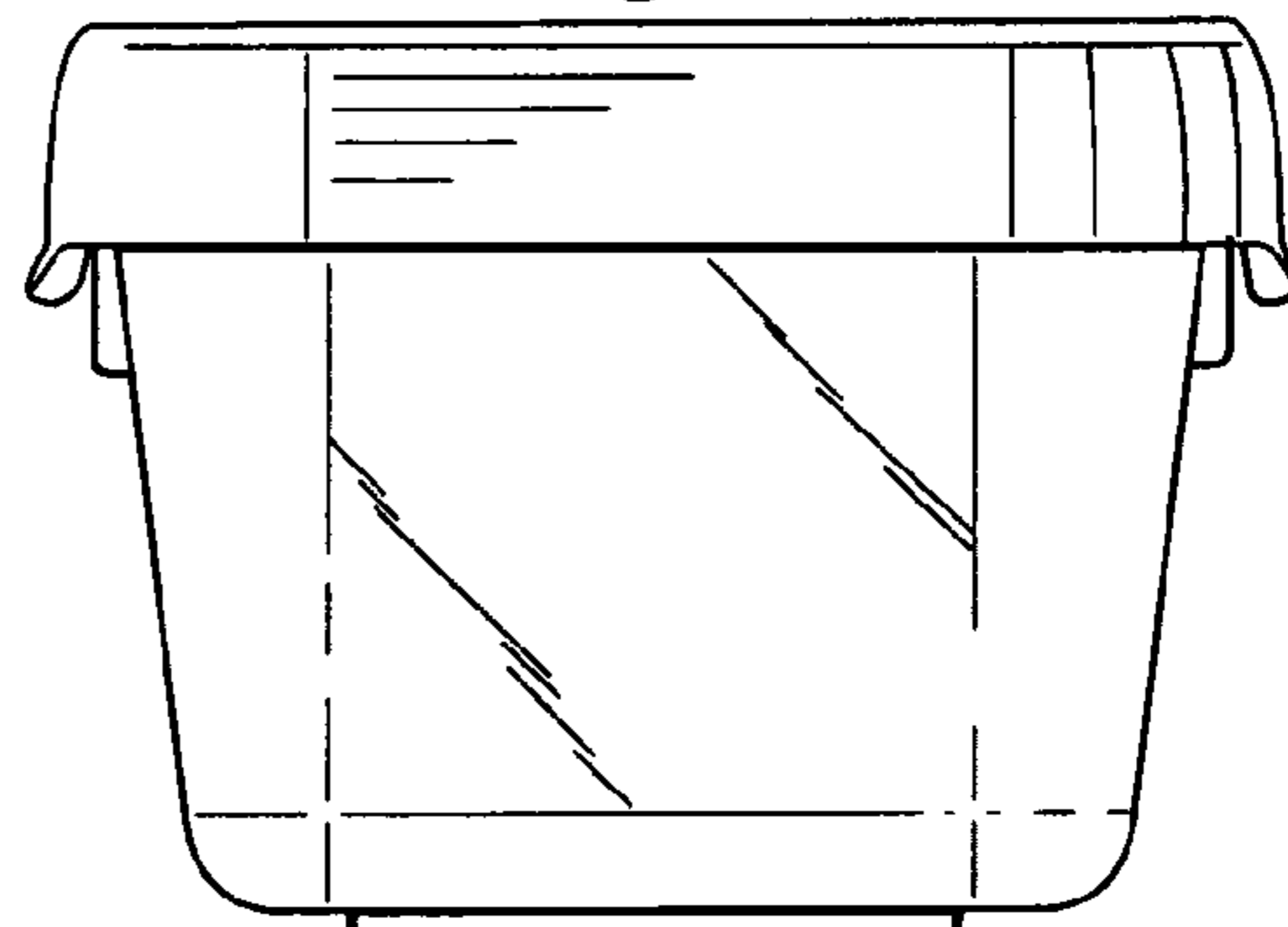


Fig. 105

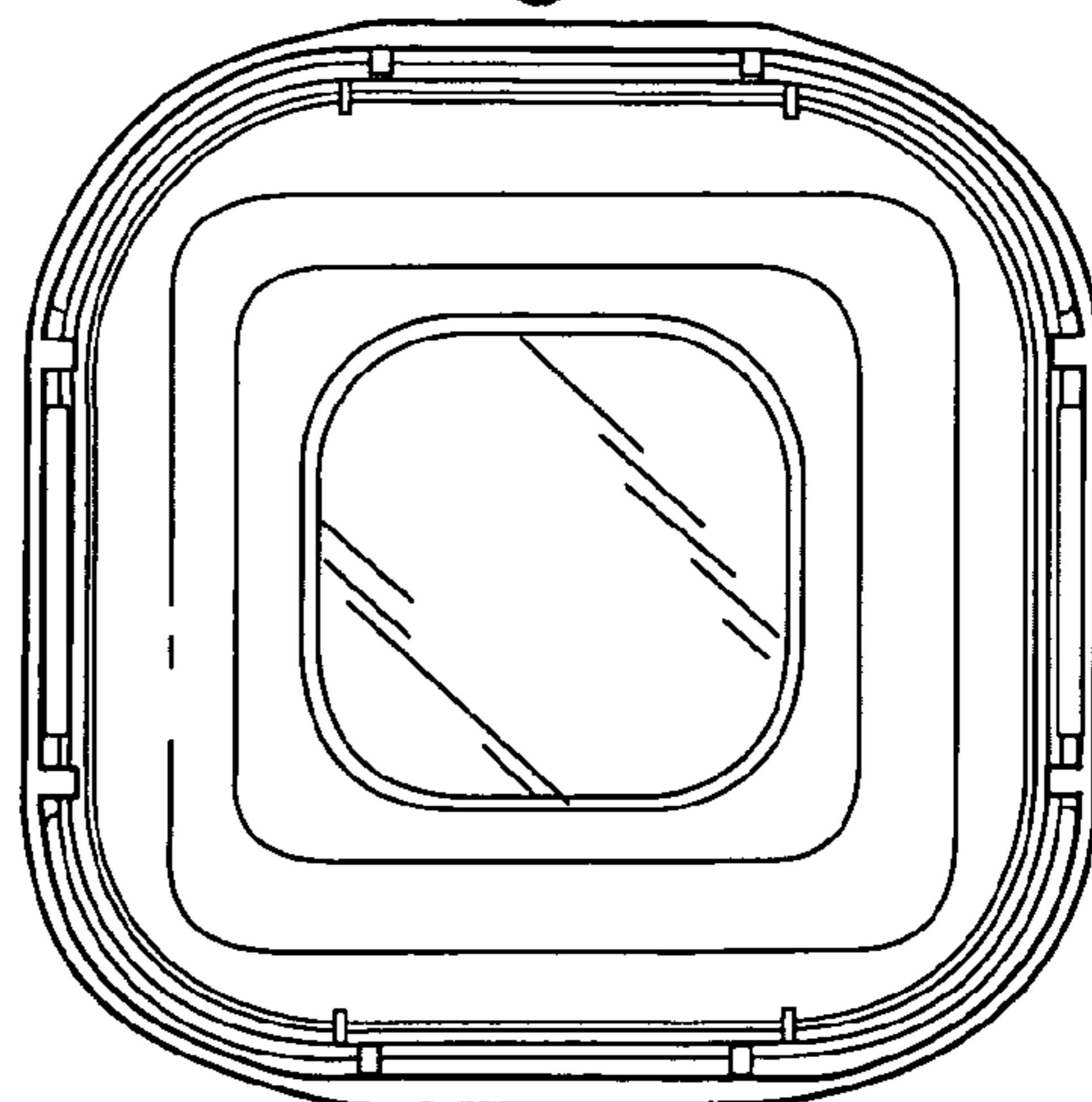


Fig. 106

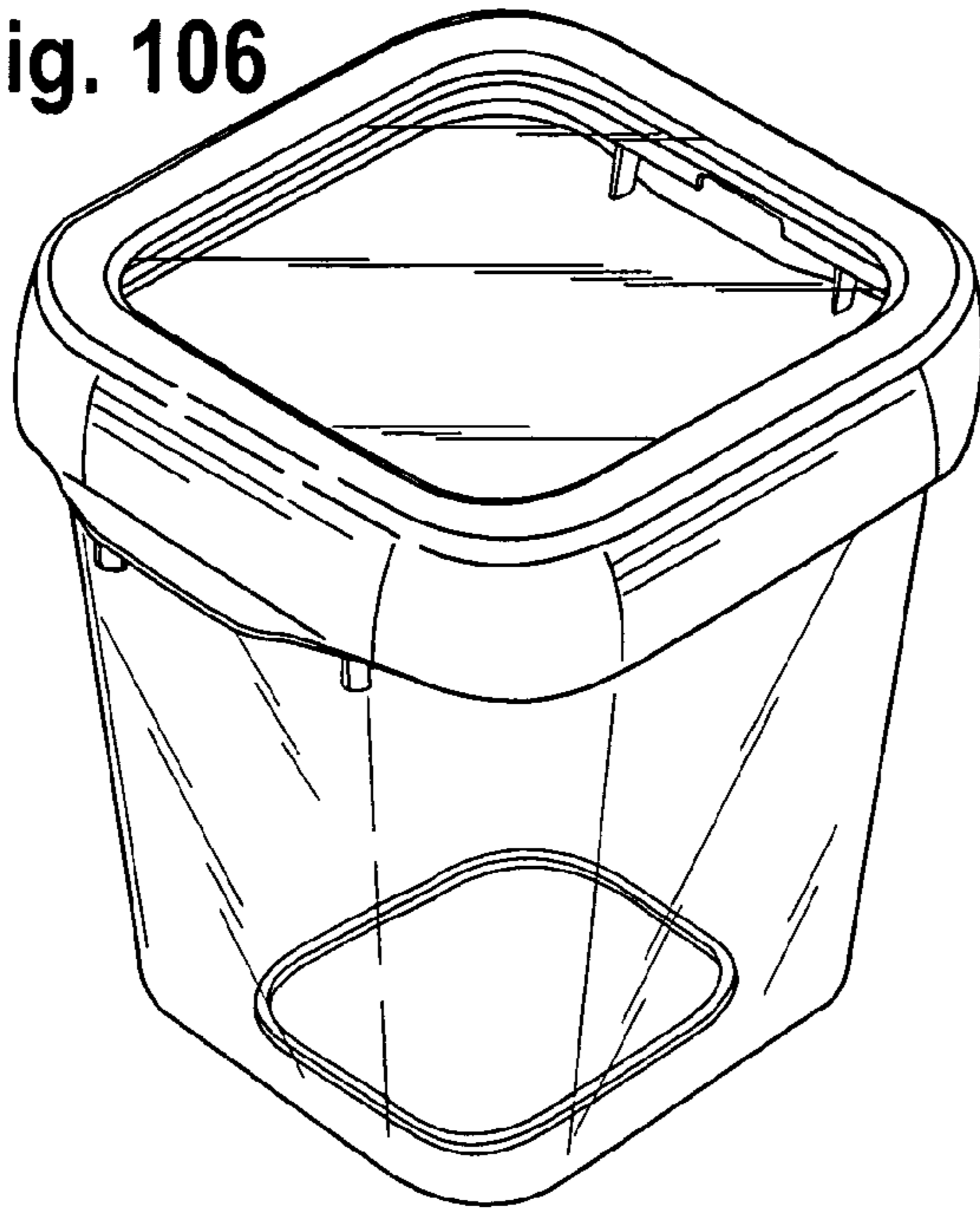


Fig. 108

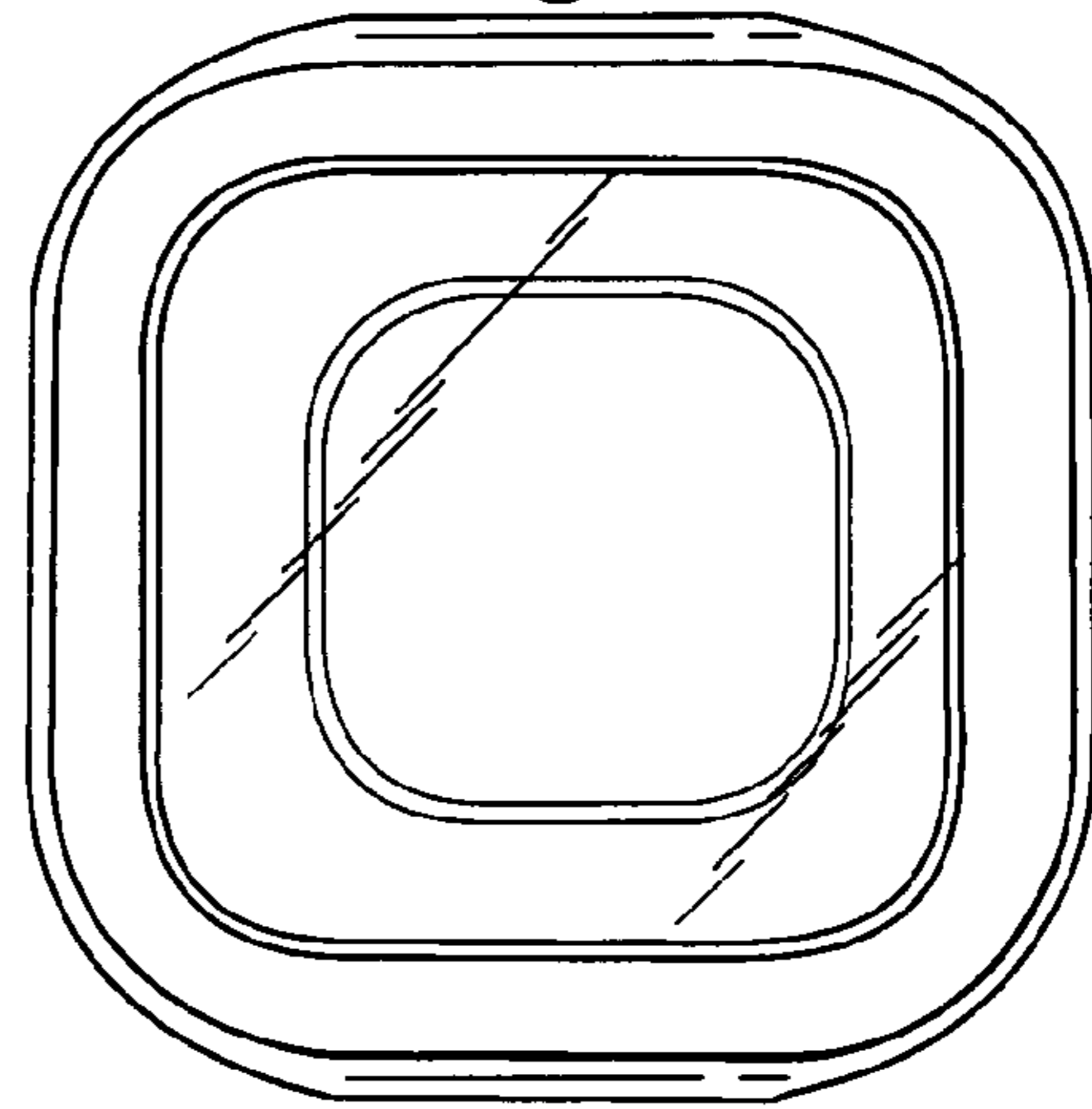


Fig. 107

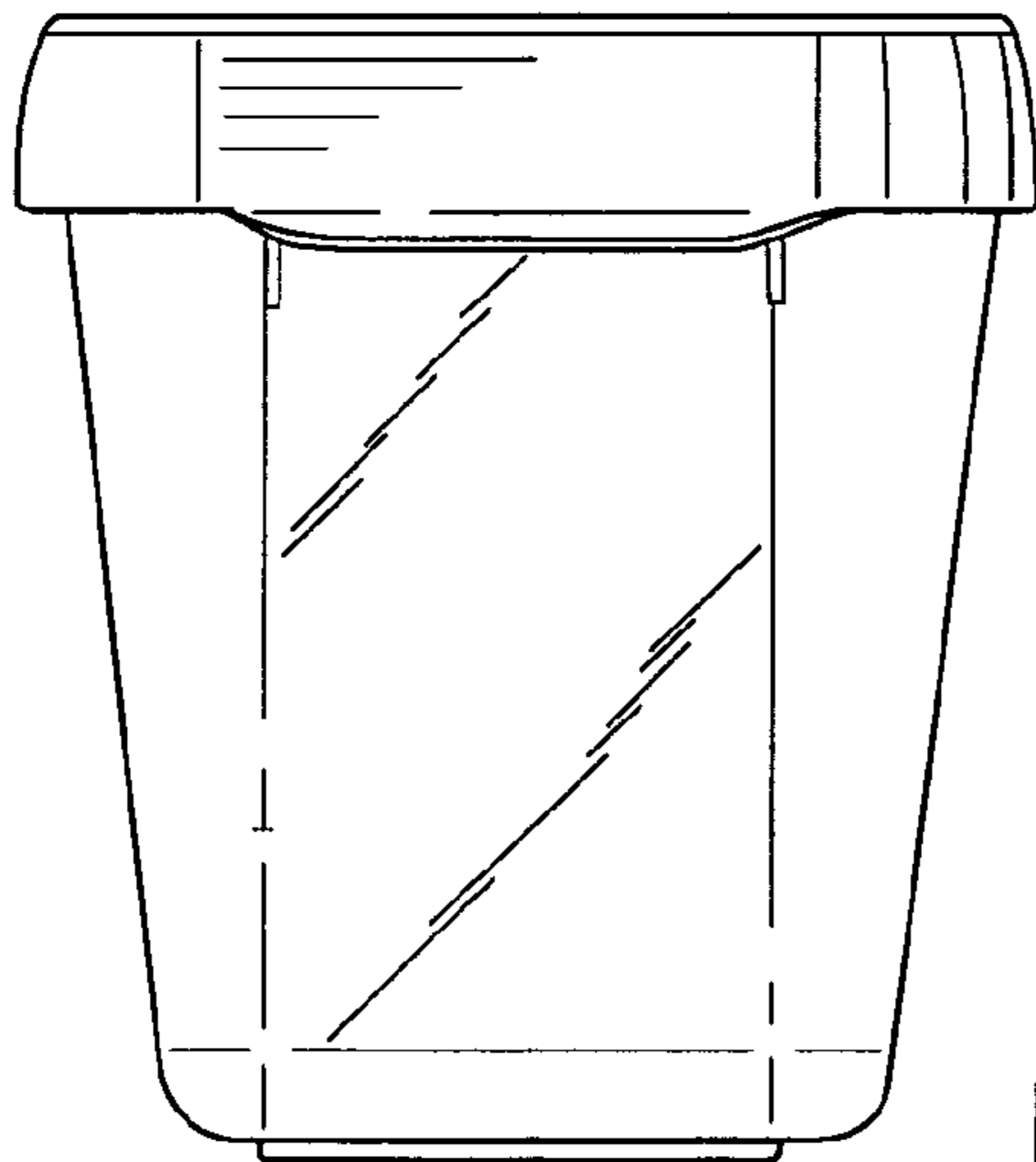


Fig. 109

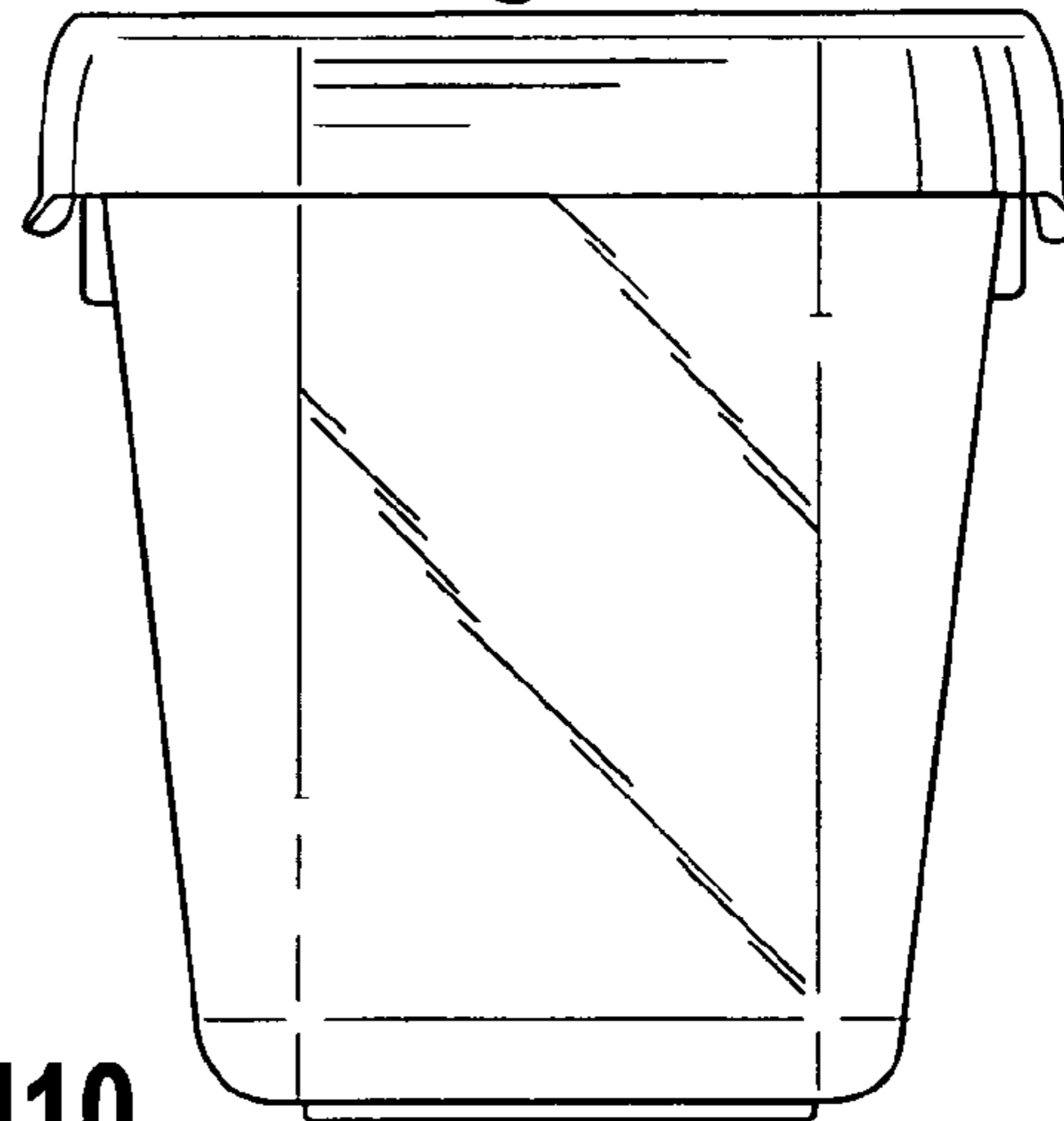


Fig. 110

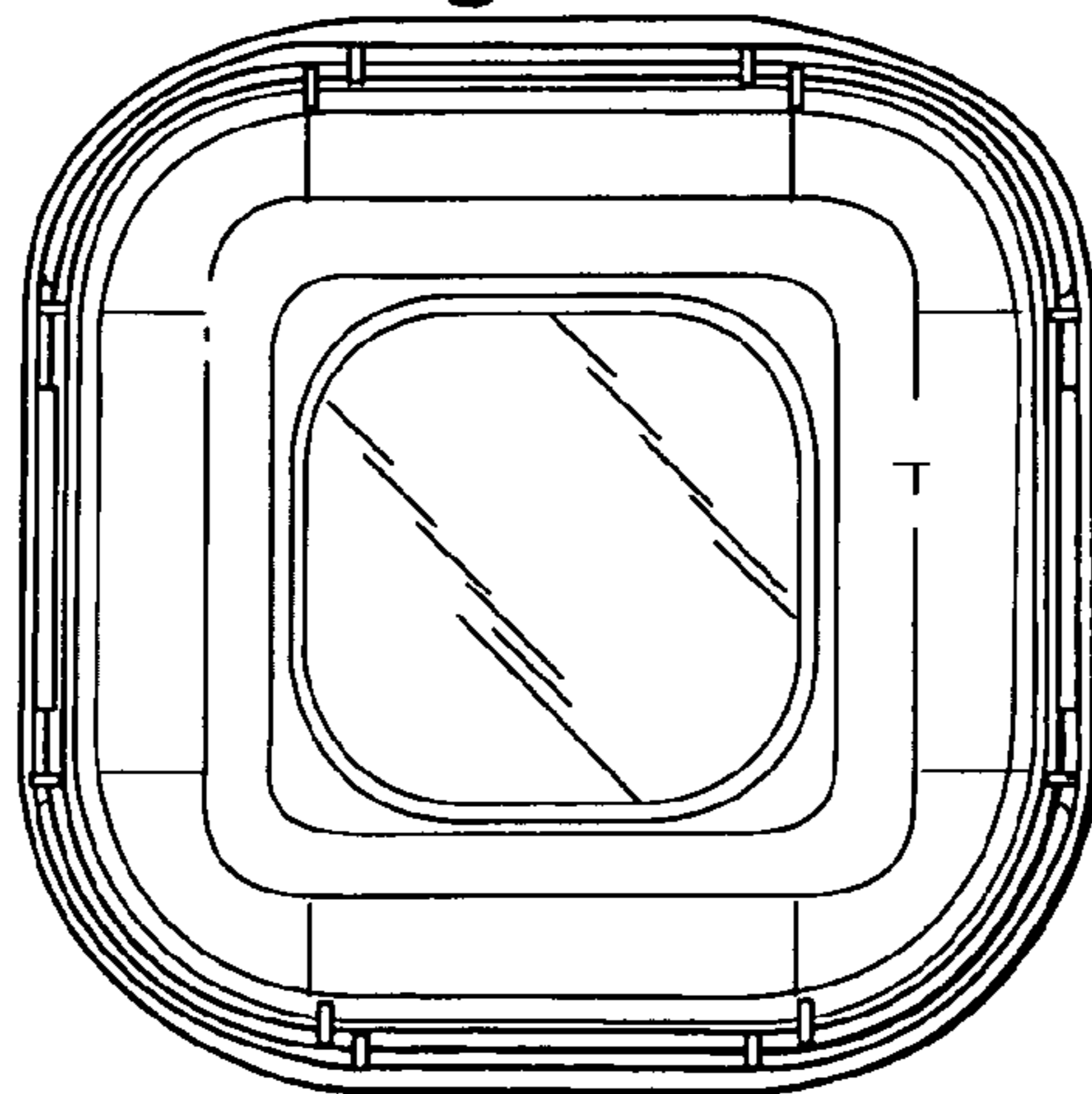


Fig. 111

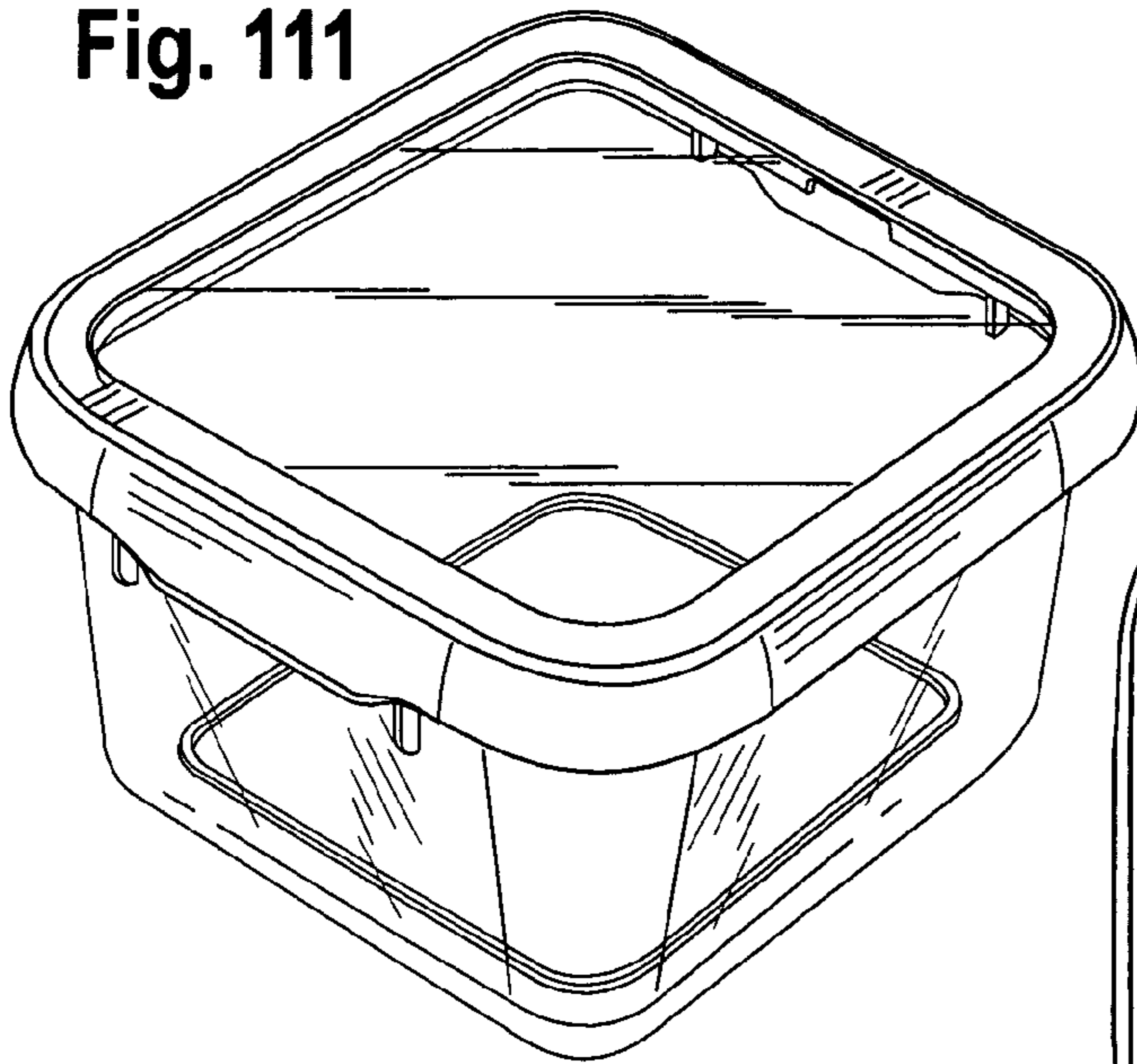


Fig. 113

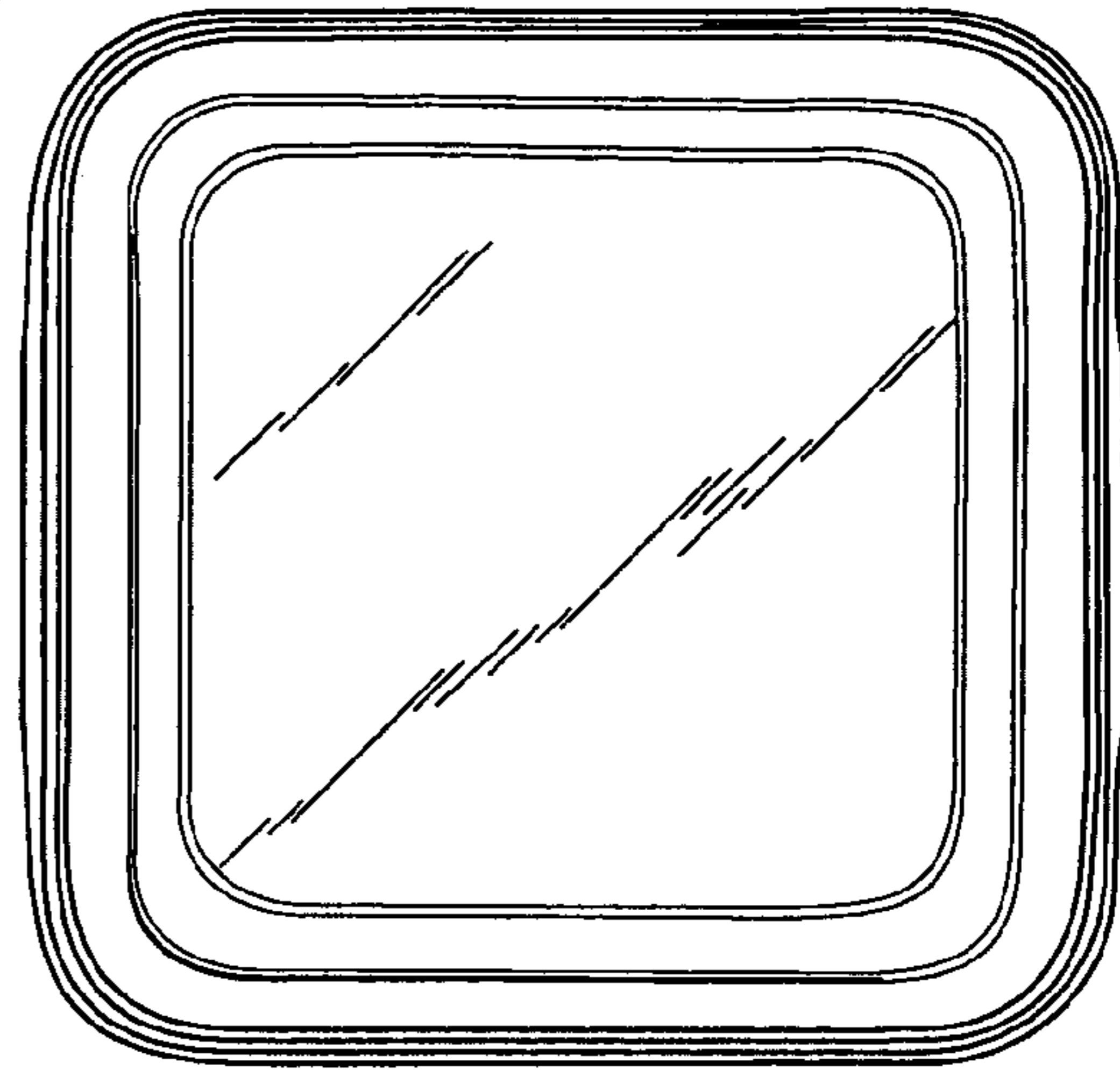


Fig. 112

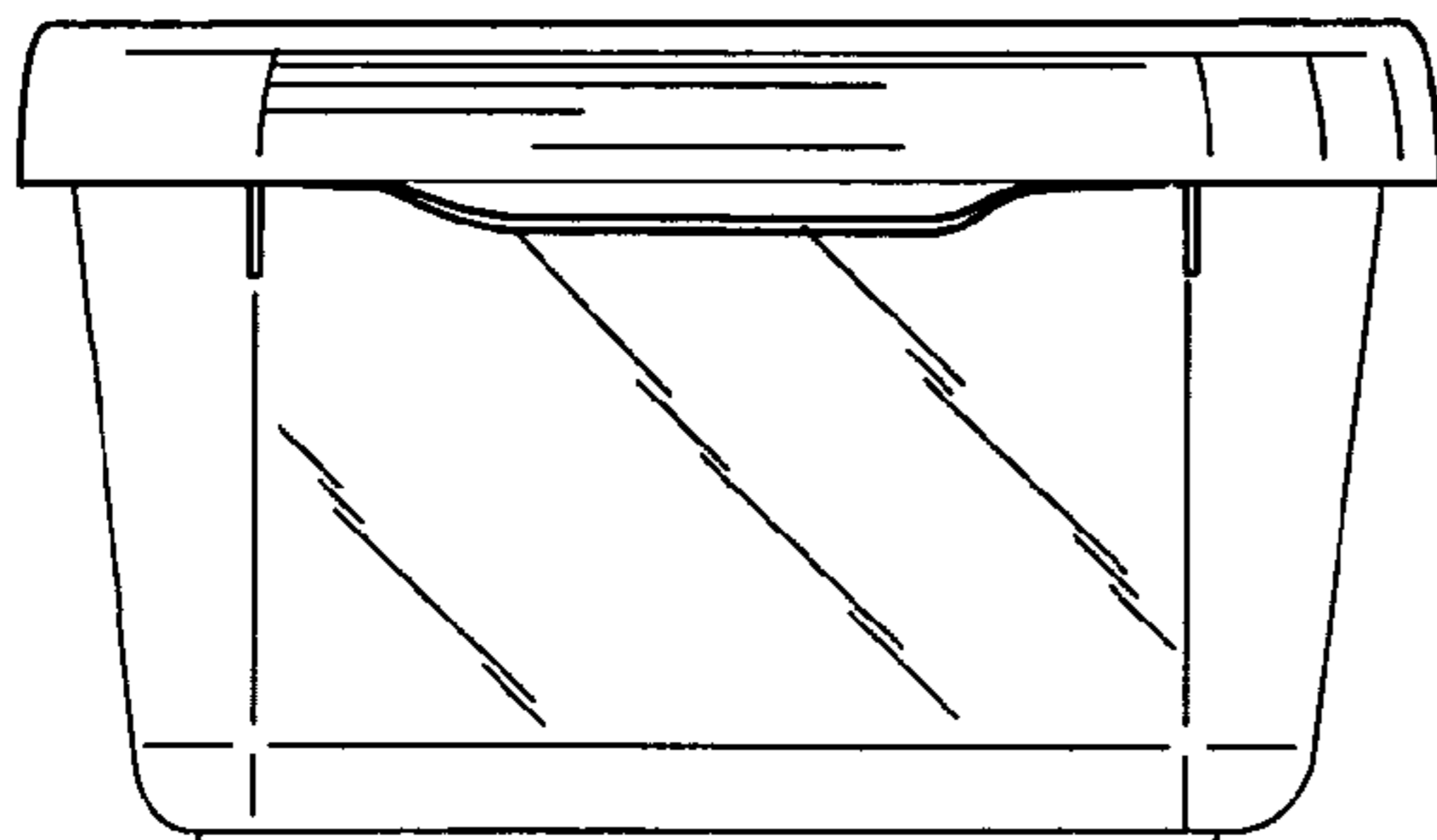


Fig. 114

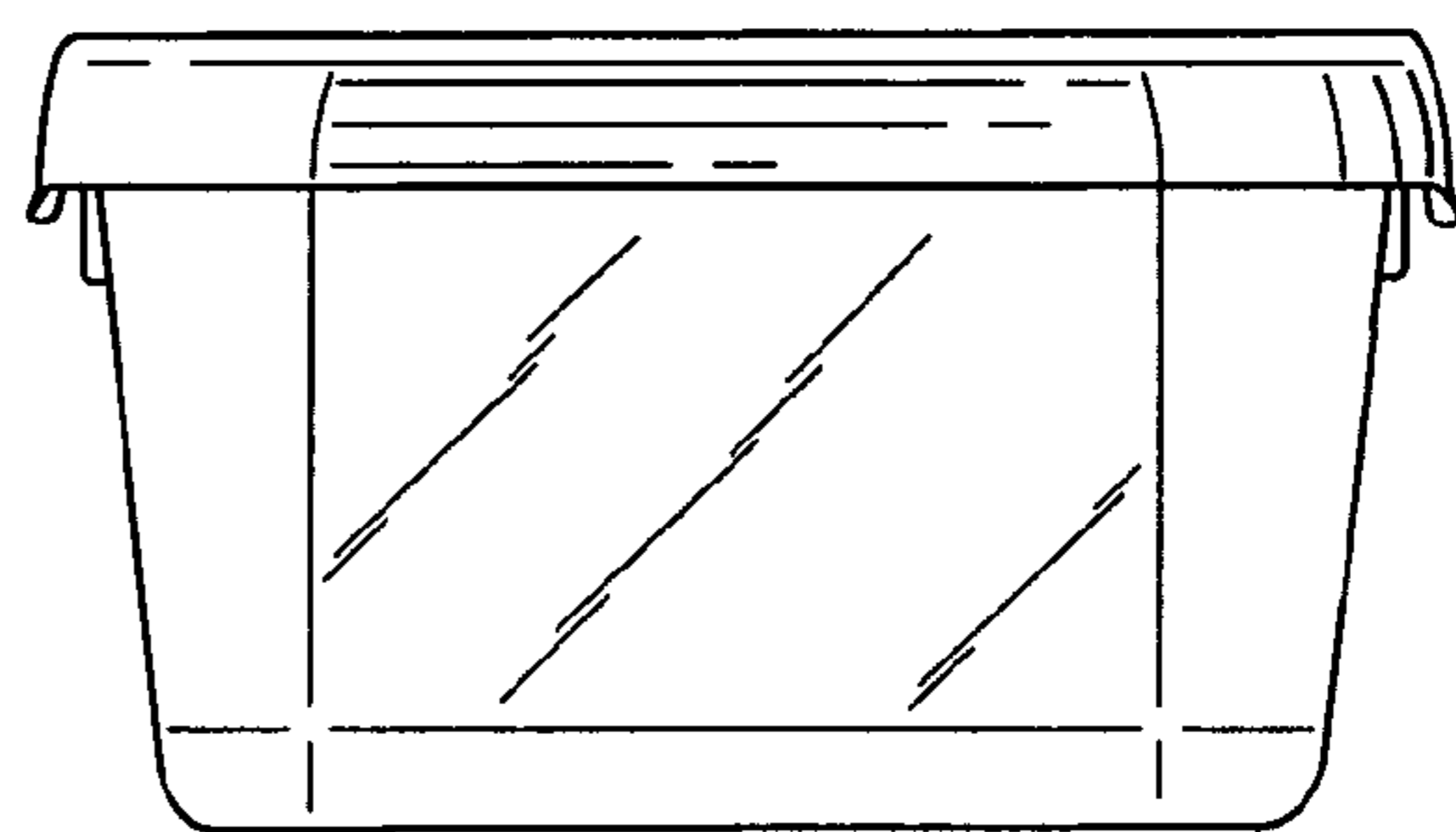


Fig. 115

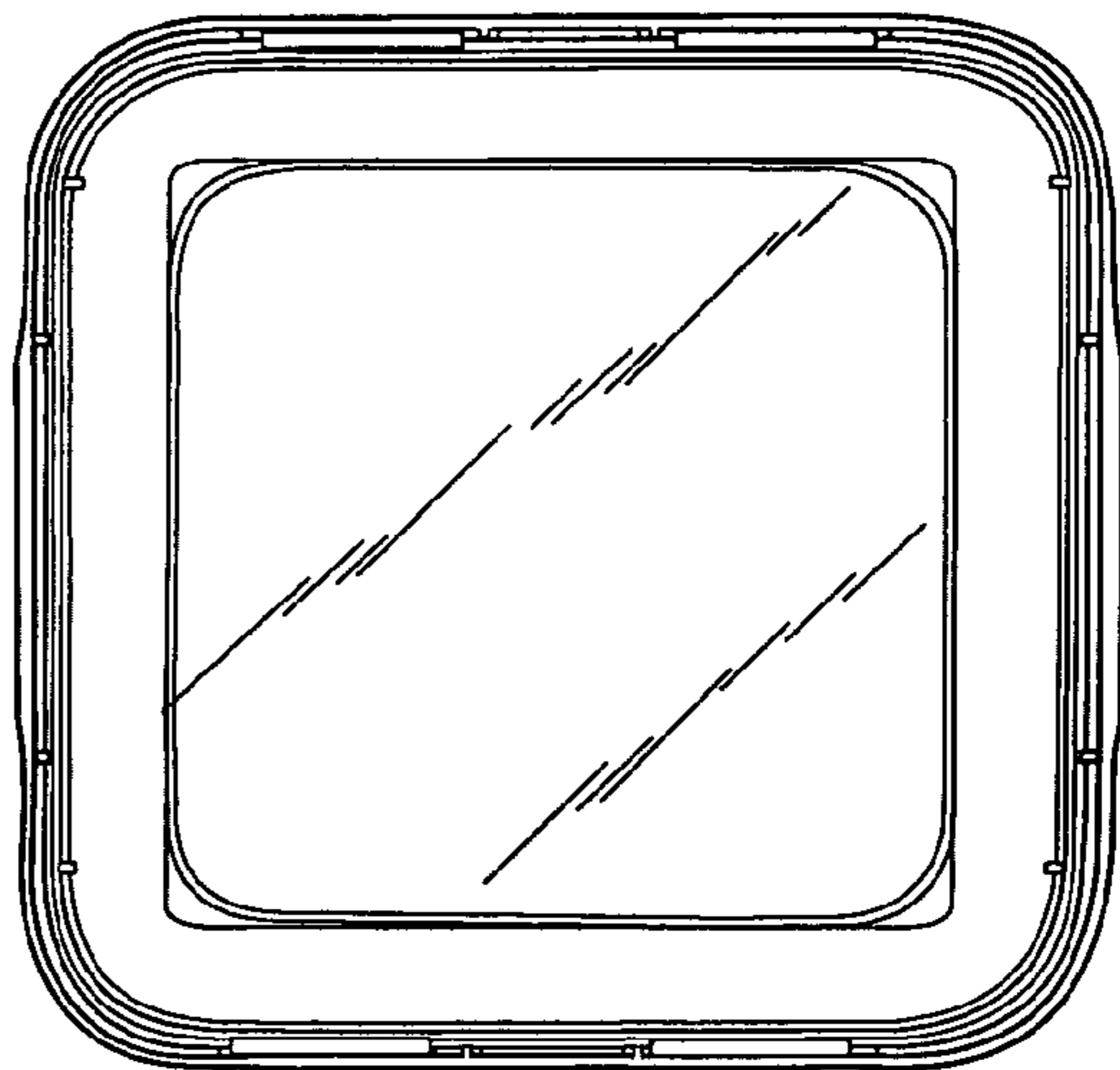


Fig. 116

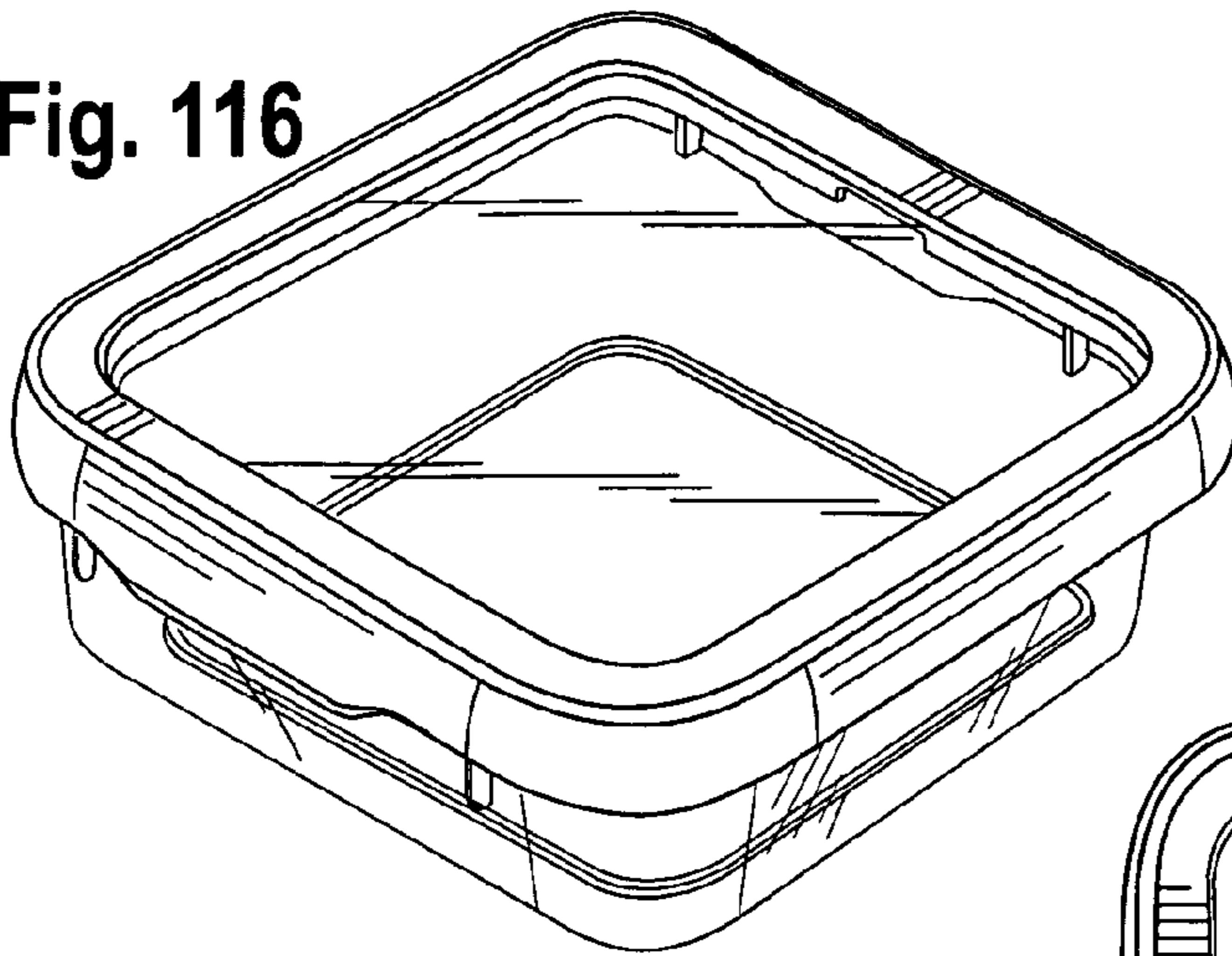


Fig. 118

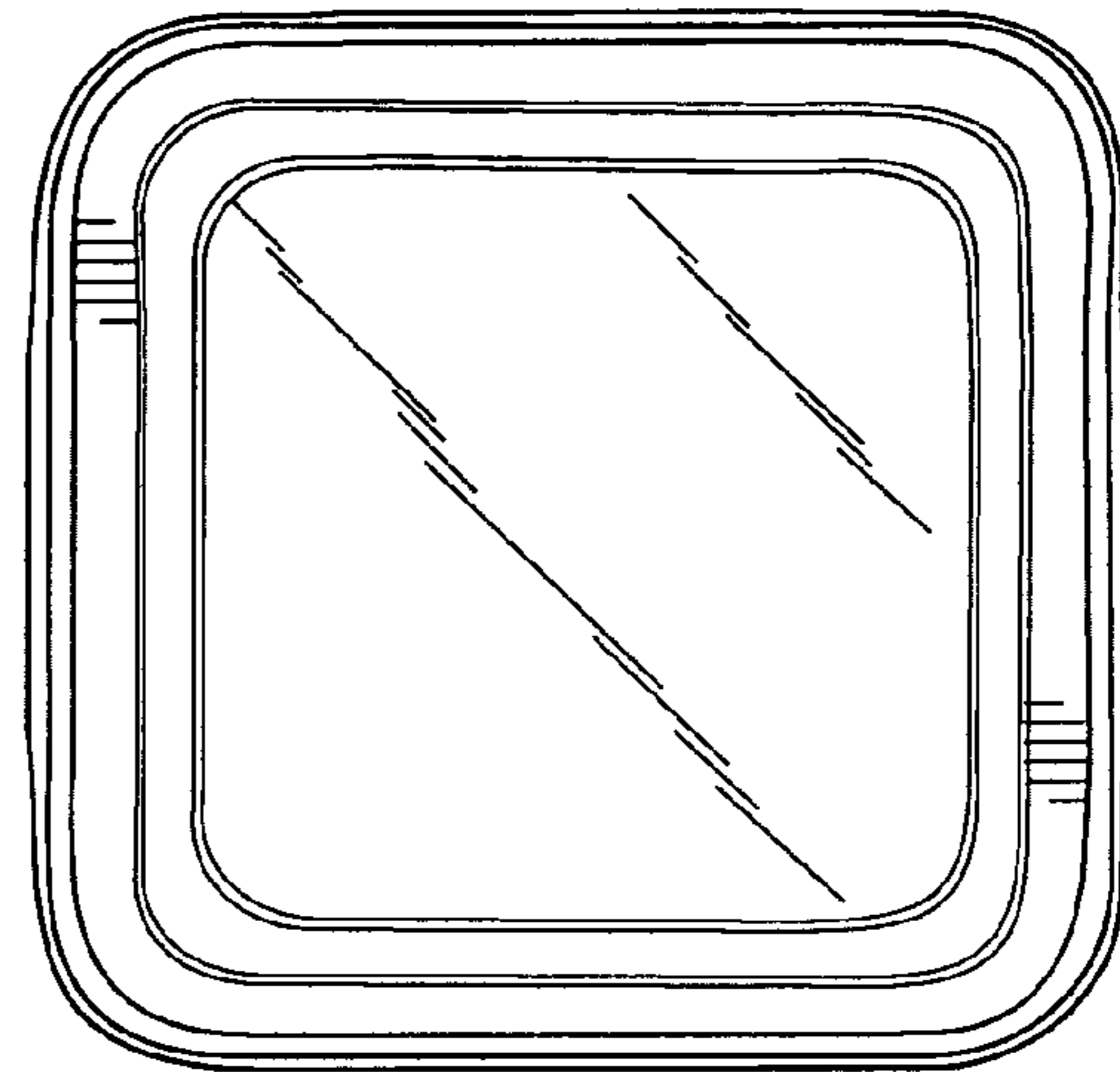


Fig. 117

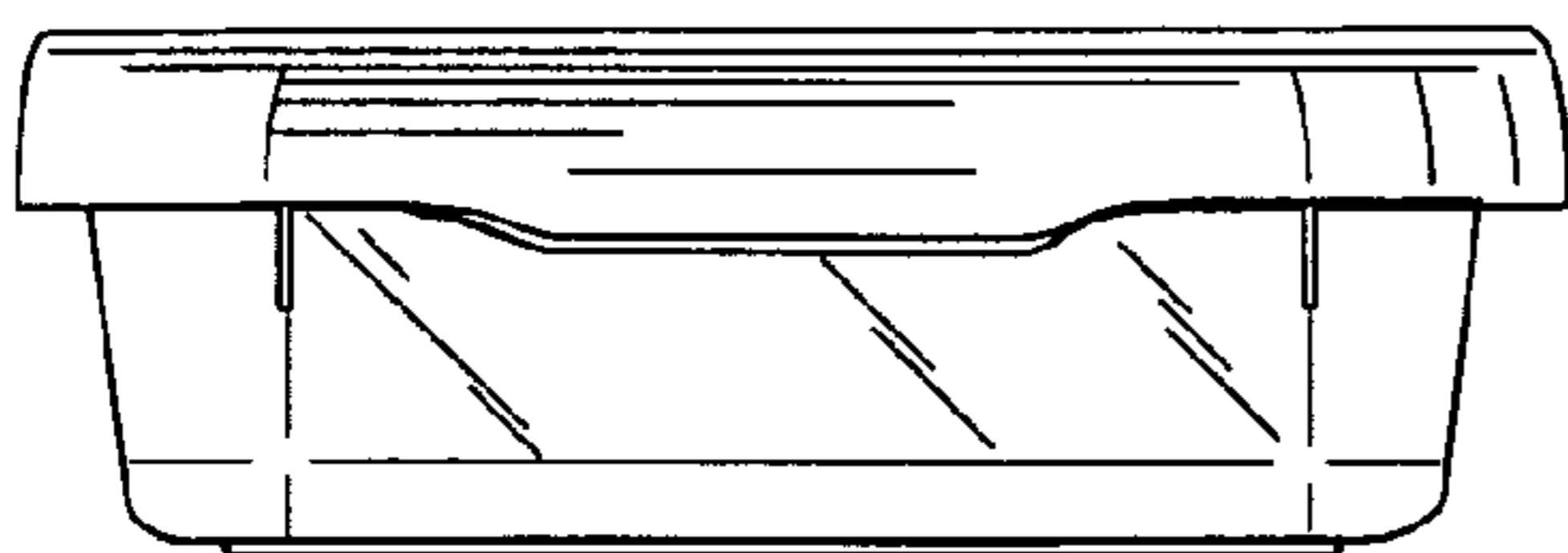


Fig. 119



Fig. 120

