



US00D618513S

(12) **United States Design Patent**
Wolhendler

(10) **Patent No.:** **US D618,513 S**
(45) **Date of Patent:** **** Jun. 29, 2010**

(54) **BOWL**

(75) Inventor: **Saul Wolhendler**, Lakewood, NJ (US)

(73) Assignee: **EMI Yoshi Inc.**, No. Brunswick, NJ (US)

(**) Term: **14 Years**

(21) Appl. No.: **29/316,034**

(22) Filed: **Aug. 19, 2009**

(51) **LOC (9) Cl.** **07-01**

(52) **U.S. Cl.** **D7/586**

(58) **Field of Classification Search** D7/500,
D7/538, 542, 554.1, 554.2, 554.3, 554.4,
D7/586-587, 300, 601-603, 630, 558; 220/574,
220/575

See application file for complete search history.

(56) **References Cited**

U.S. PATENT DOCUMENTS

D495,928 S * 9/2004 Laib D7/554.3
D499,305 S * 12/2004 Laib D7/554.4

* cited by examiner

Primary Examiner—Ian Simmons
Assistant Examiner—Dana L Sipos

(74) *Attorney, Agent, or Firm*—Law Firm of Walter D. Ames

(57) **CLAIM**

The ornamental design for a bowl, as shown and described.

DESCRIPTION

FIG. 1 is a top perspective view of a bowl showing my new design;

FIG. 2 is a top perspective view thereof taken at an angle elevated from the view of FIG. 1;

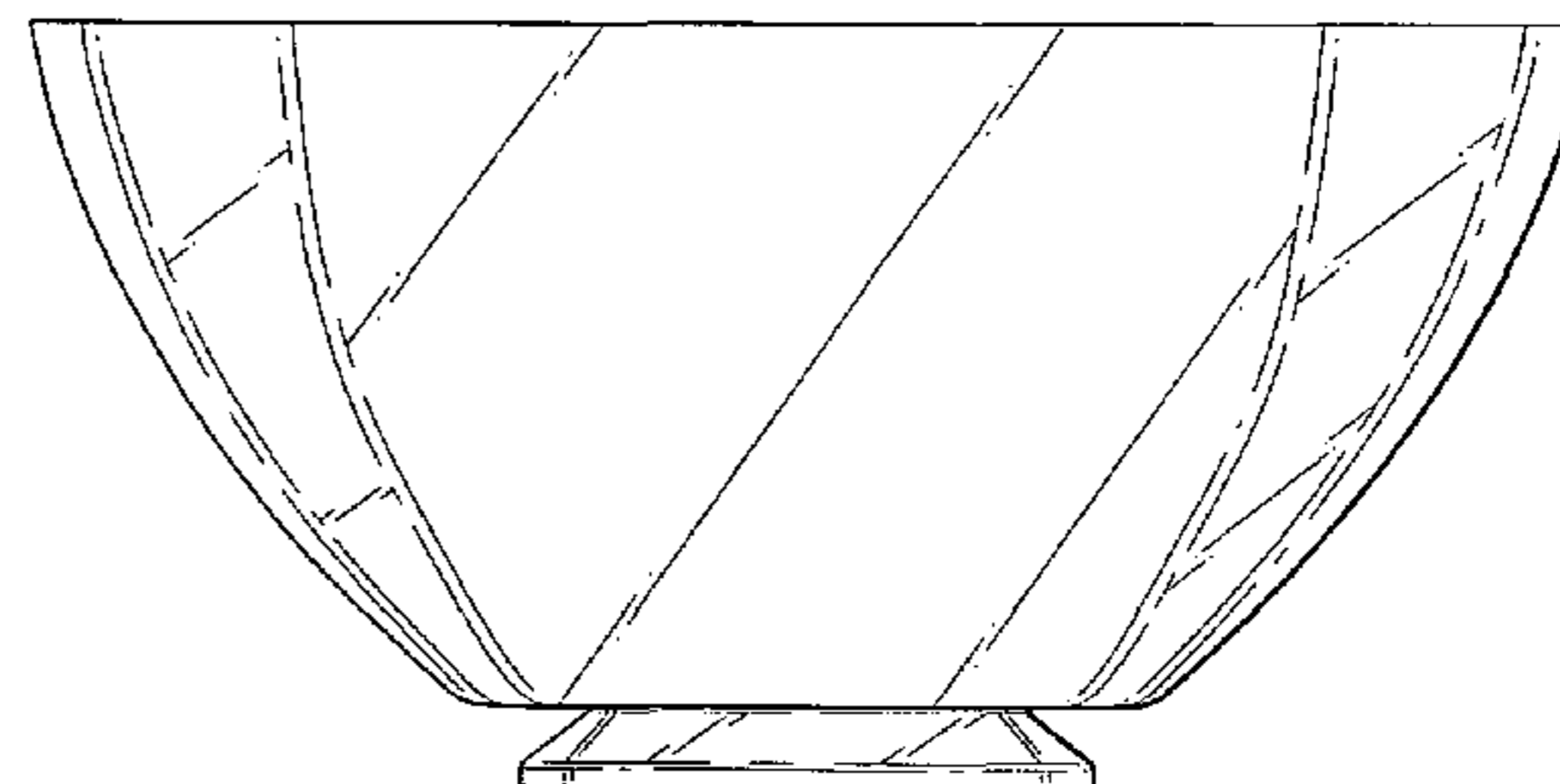
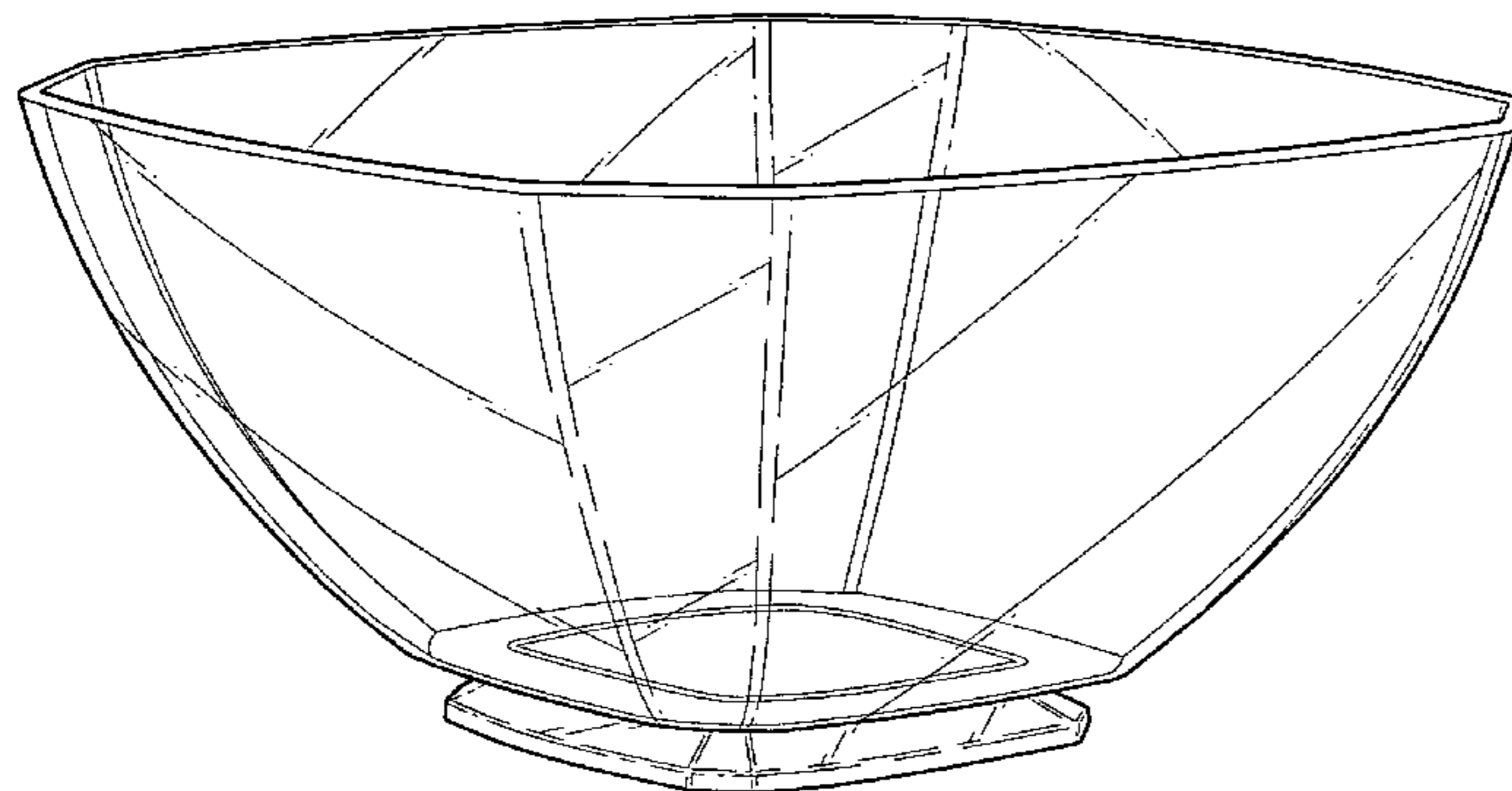
FIG. 3 is bottom perspective view thereof;

FIG. 4 is a side elevation thereof;

FIG. 5 is a top plan view thereof; and,

FIG. 6 is a bottom plan view thereof.

1 Claim, 6 Drawing Sheets



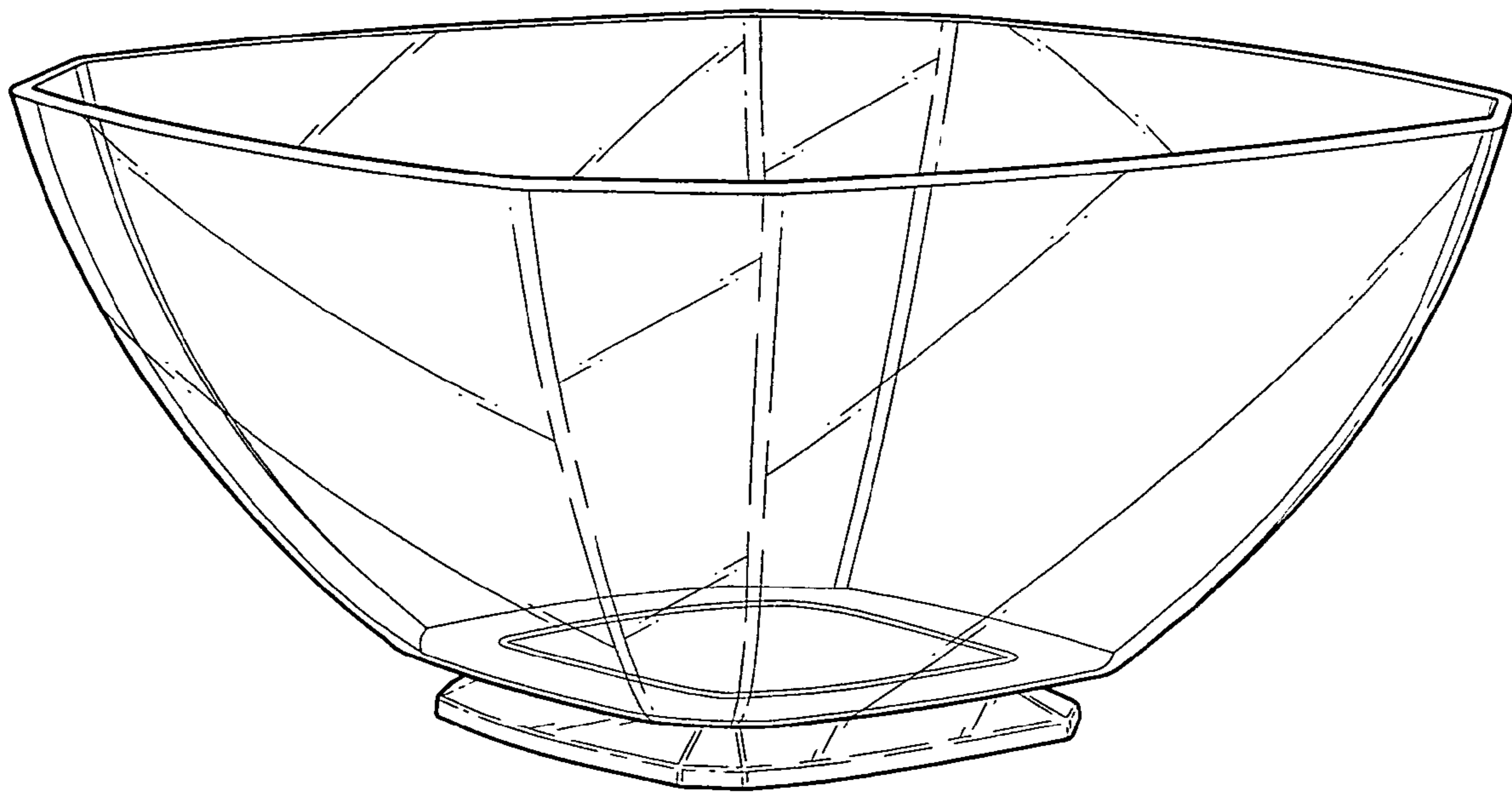


FIG. 1

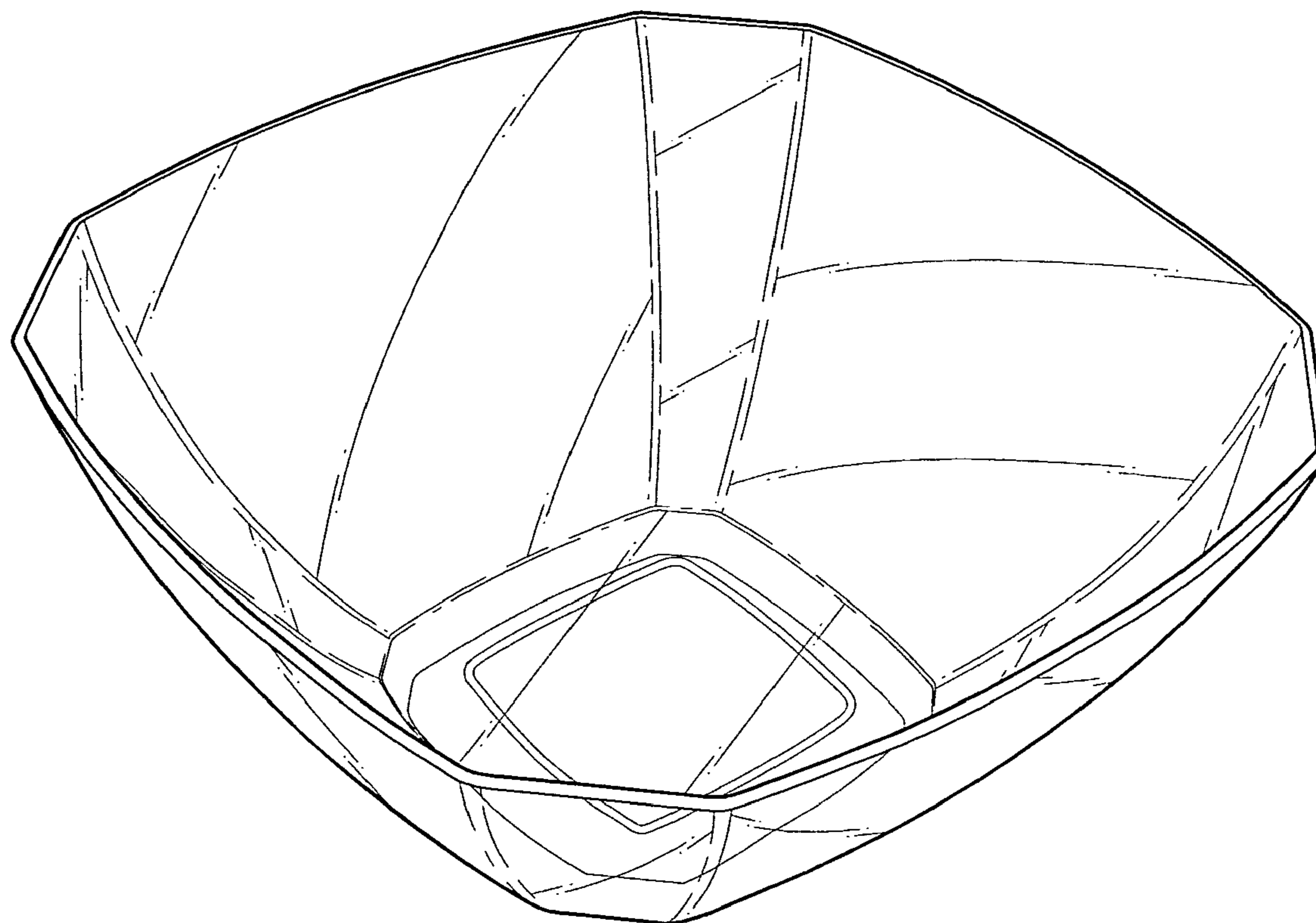


FIG. 2

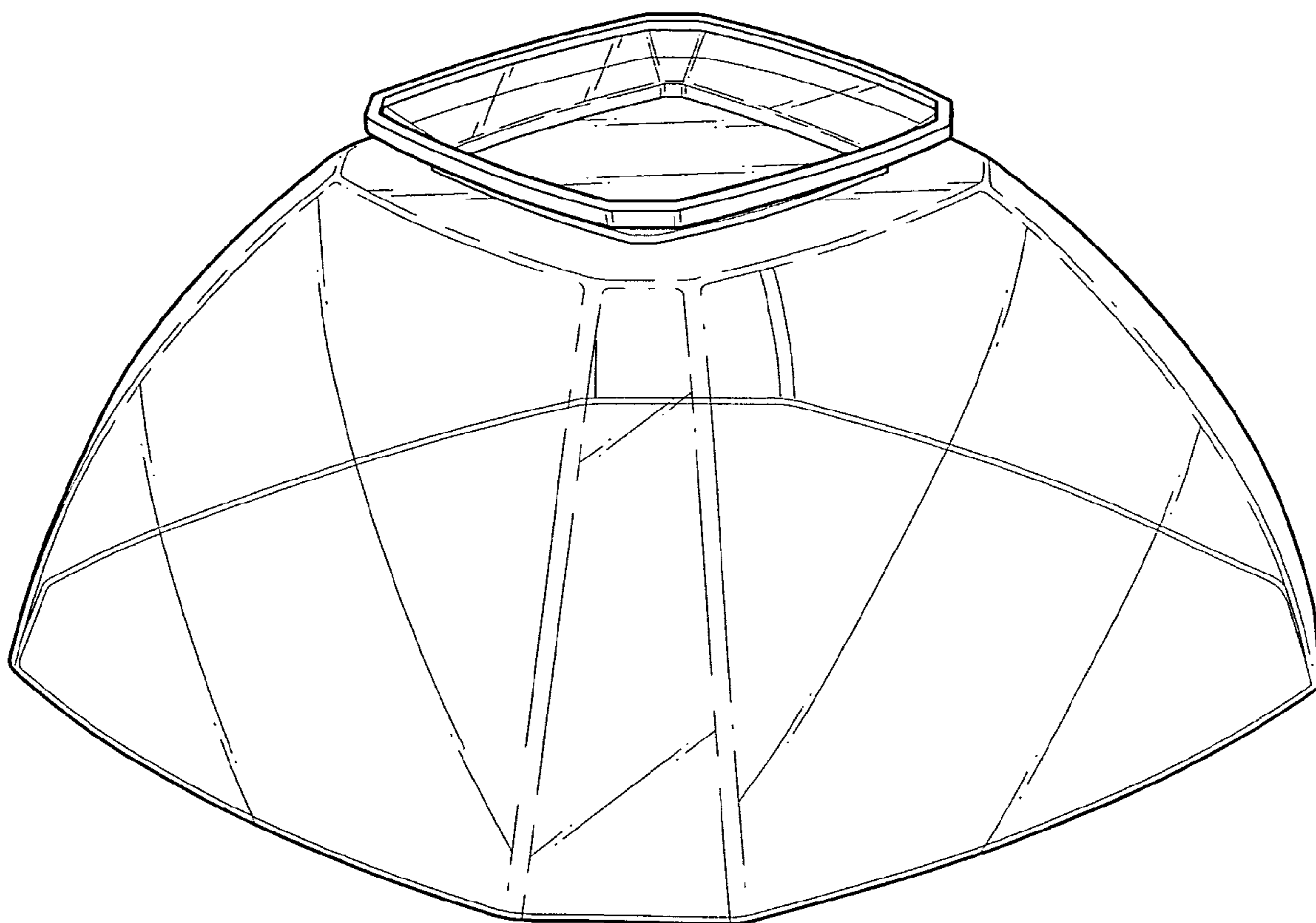


FIG.3

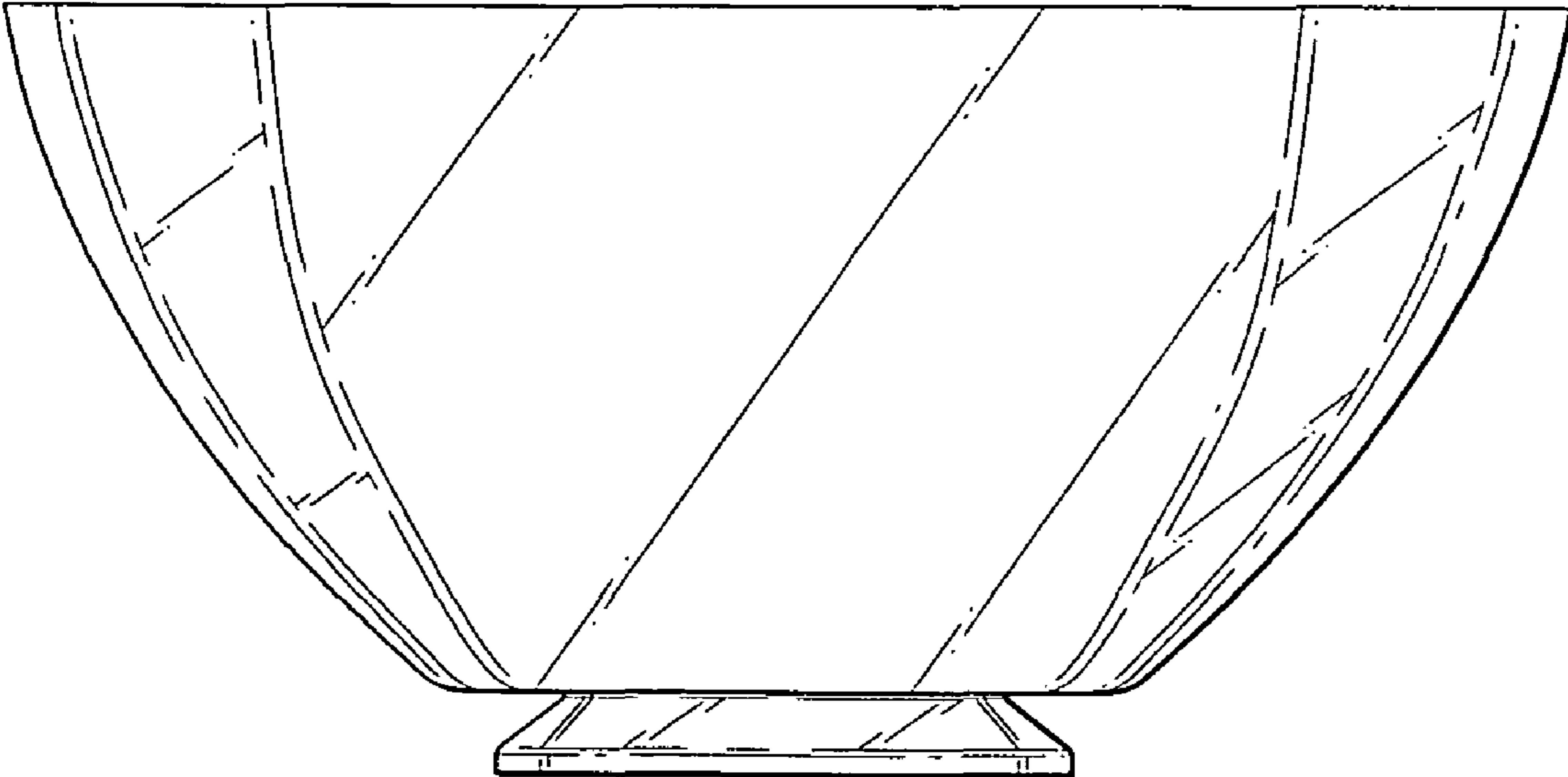


FIG.4

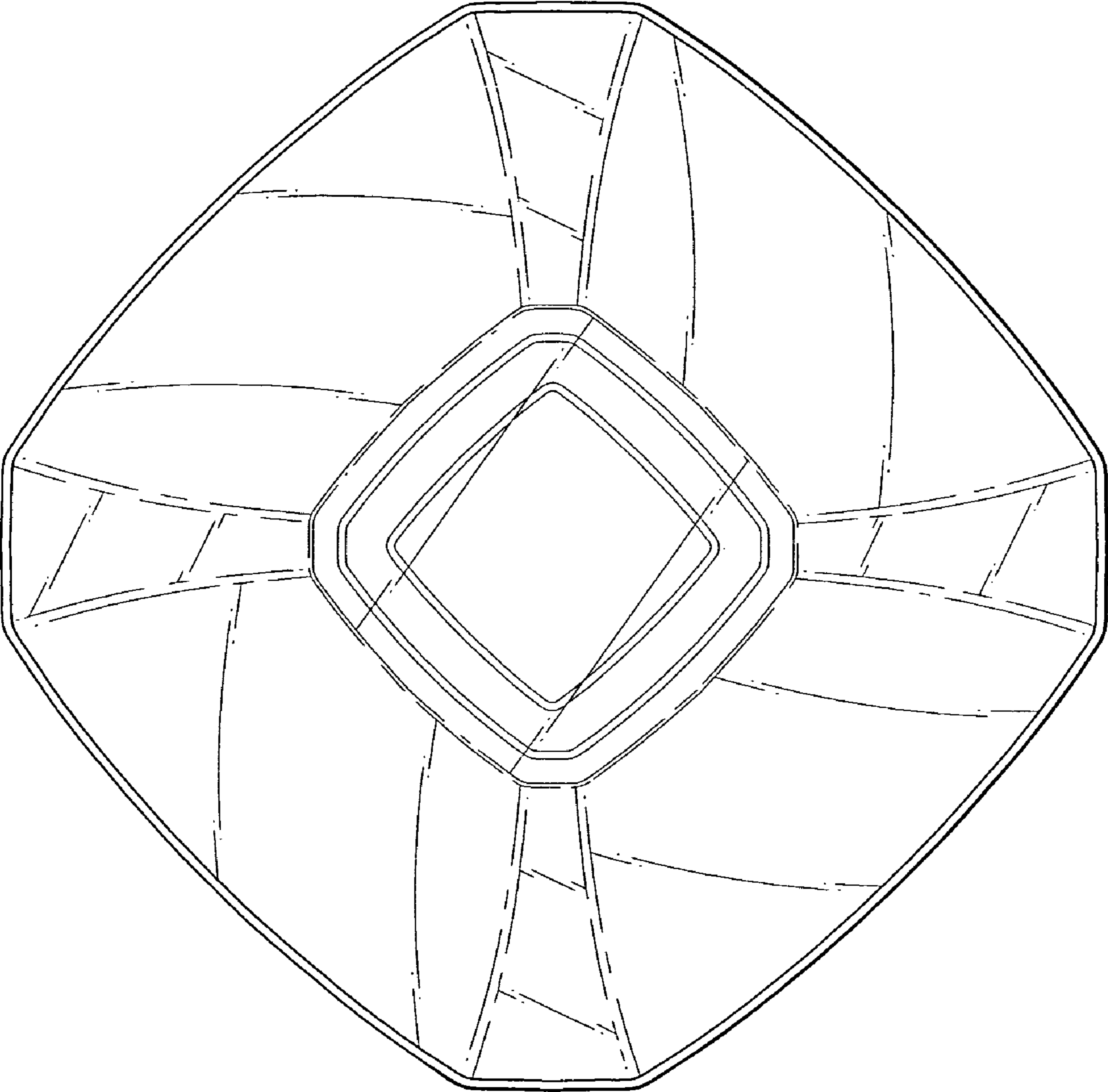


FIG.5

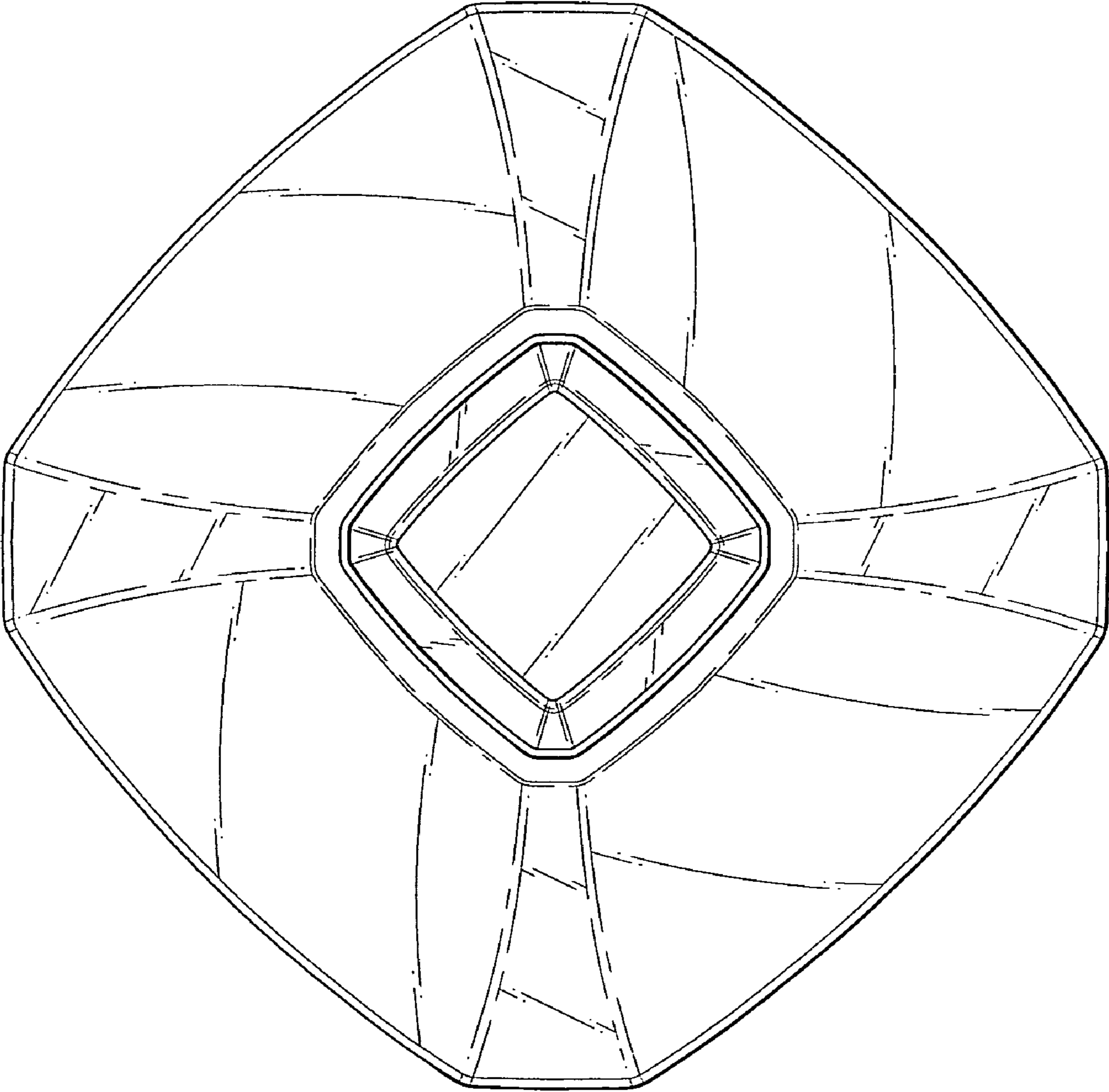


FIG.6