



US00D618506S

(12) **United States Design Patent**
Offredi

(10) **Patent No.:** **US D618,506 S**
(45) **Date of Patent:** **** Jun. 29, 2010**

(54) **BURNER**

(75) Inventor: **Giorgio Offredi**, Galbiate (IT)

(73) Assignee: **Castfutura SpA**, Milan (IT)

(**) Term: **14 Years**

(21) Appl. No.: **29/341,537**

(22) Filed: **Aug. 7, 2009**

(30) **Foreign Application Priority Data**

Feb. 16, 2009 (EM) 001091474-0004

(51) **LOC (9) Cl.** **07-02**

(52) **U.S. Cl.** **D7/407**

(58) **Field of Classification Search** D7/332,
D7/334-337, 402-404, 406-408; 126/37 R,
126/25 R, 41 R, 41 B, 41 C, 41 D, 41 E,
126/9 R, 44, 50, 39 E, 91 A; 99/339, 340,
99/450, 444; 431/354, 258, 278

See application file for complete search history.

(56) **References Cited**

U.S. PATENT DOCUMENTS

D368,829 S *	4/1996	Giebel et al.	D7/407
D369,720 S *	5/1996	Giebel et al.	D7/407
D383,356 S *	9/1997	Stuck	D7/407
D397,910 S *	9/1998	Murphy	D7/407
D464,530 S *	10/2002	Lu	D7/407
D470,721 S *	2/2003	Home	D7/407
6,553,986 B1 *	4/2003	Liu	126/41 R

D544,753 S *	6/2007	Tseng	D7/407
D548,007 S *	8/2007	Chung	D7/407
7,267,544 B2 *	9/2007	Spangrud	431/354
D553,430 S *	10/2007	Williams et al.	D7/407
D589,749 S *	4/2009	Leavens et al.	D7/407
2002/0011244 A1 *	1/2002	Giebel et al.	126/41 R
2005/0133018 A1 *	6/2005	Spangrud	126/41 R
2007/0009847 A1 *	1/2007	Wu	431/354
2007/0026355 A1 *	2/2007	Cummings	431/354
2008/0210217 A1 *	9/2008	Offredi	126/39 E
2009/0205631 A1 *	8/2009	Tsung	126/39 E
2009/0250048 A1 *	10/2009	Educate et al.	126/25 R

* cited by examiner

Primary Examiner—Ruth McInroy

(74) *Attorney, Agent, or Firm*—Themis Law

(57) **CLAIM**

The ornamental design for a burner, as shown.

DESCRIPTION

FIG. 1 is a top-right side perspective view of a burner showing my new design;

FIG. 2 is a front elevational view thereof;

FIG. 3 is a rear elevational view thereof;

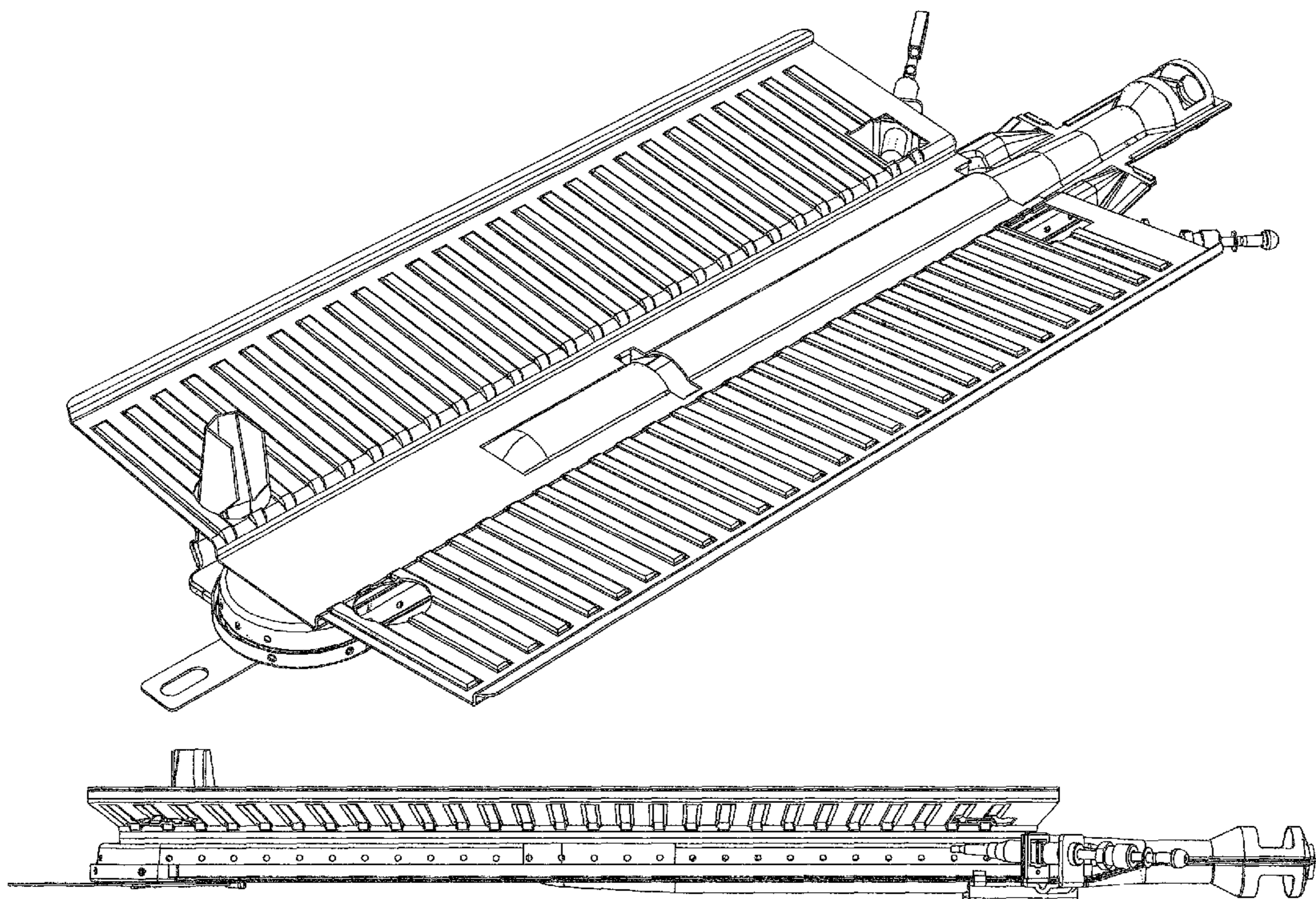
FIG. 4 is a left side elevational view thereof;

FIG. 5 is a right side elevational view thereof;

FIG. 6 is a top plan view thereof; and,

FIG. 7 is a bottom plan view thereof.

1 Claim, 7 Drawing Sheets



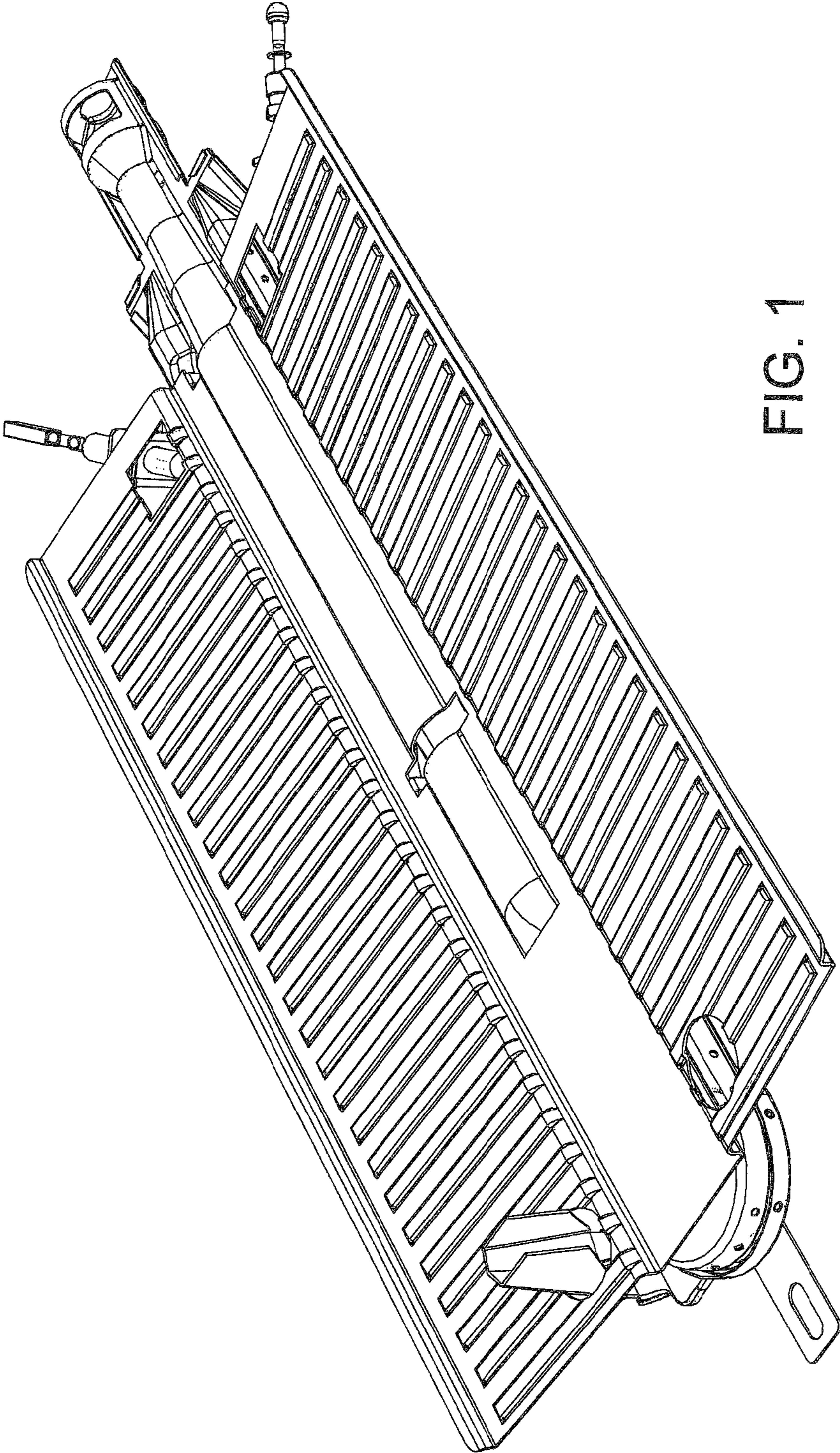


FIG. 1

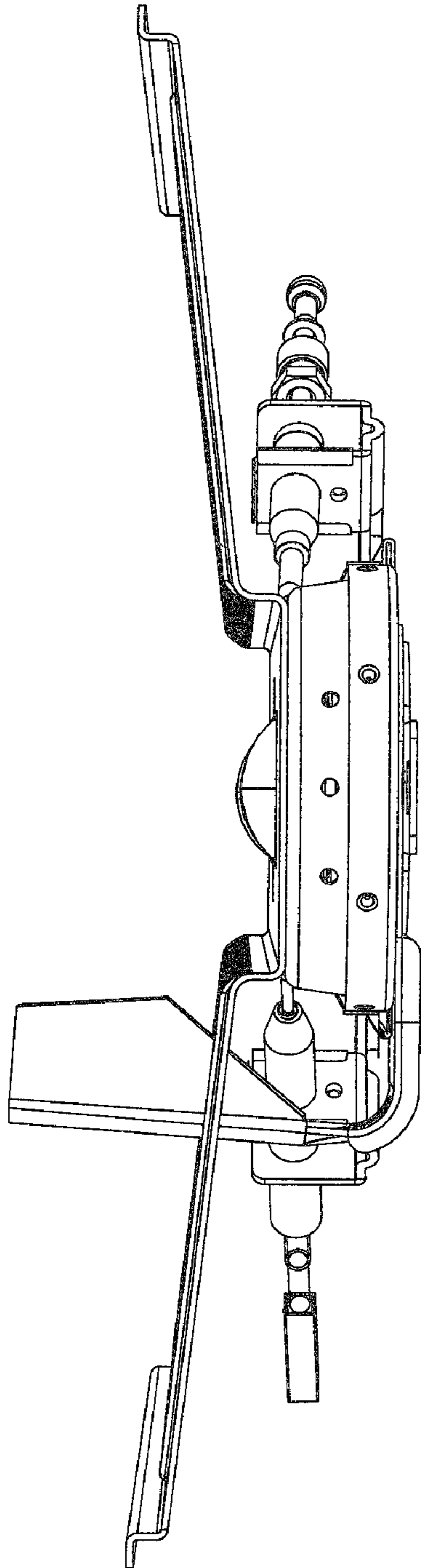


FIG. 2

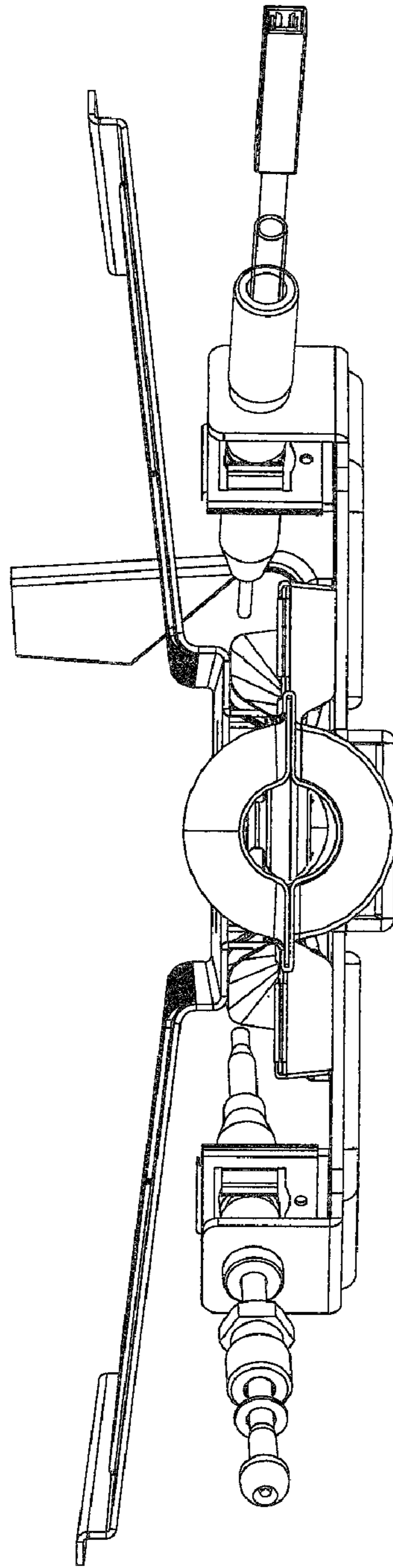


FIG. 3

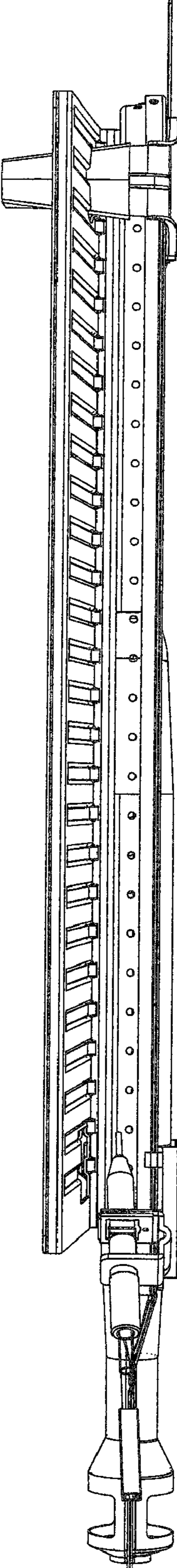


FIG. 4

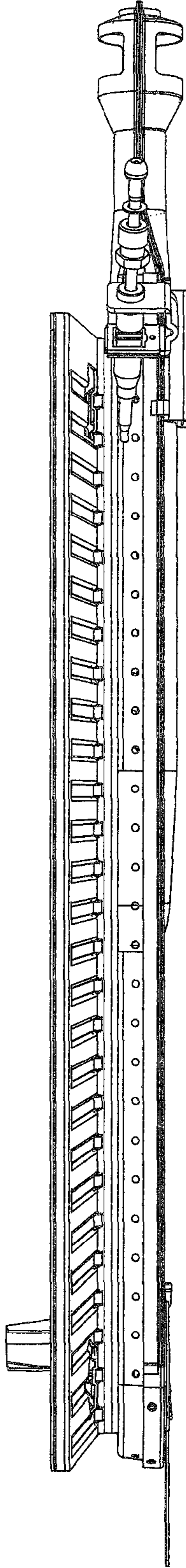


FIG. 5

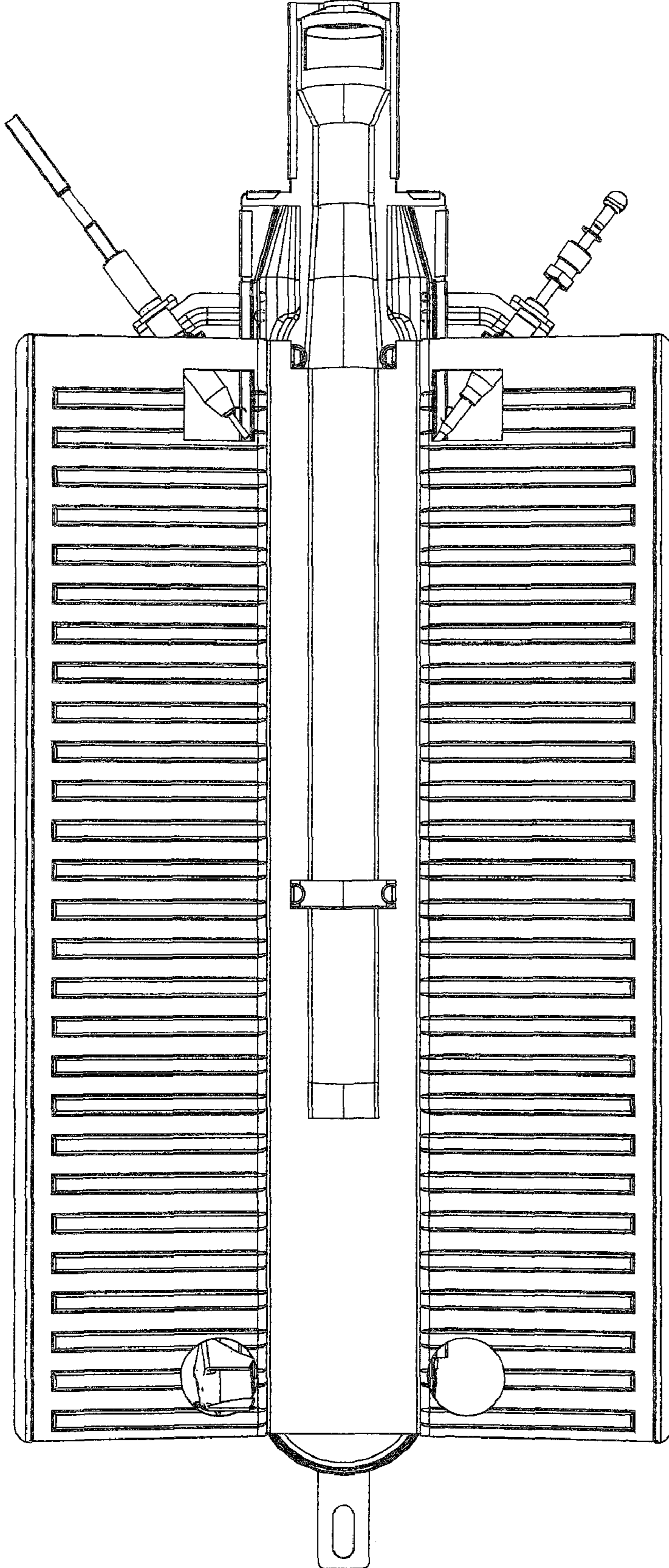


FIG. 6

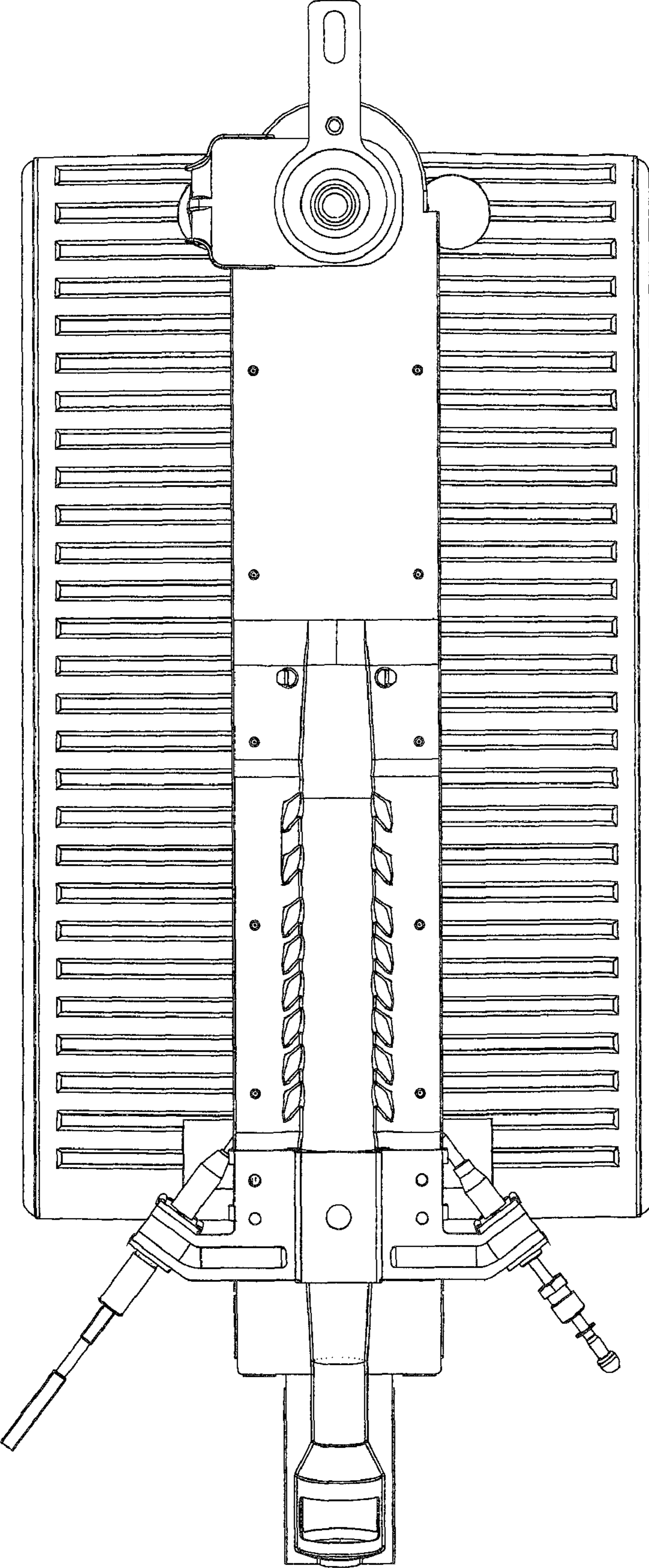


FIG. 7