



US00D618504S

(12) **United States Design Patent**  
**Boychak et al.**

(10) **Patent No.:** **US D618,504 S**  
(45) **Date of Patent:** **\*\* Jun. 29, 2010**

(54) **GRILL LID ADJUSTABLE SUPPORT**

(76) Inventors: **Nicholas G. Boychak**, 124 SW. 2nd Ave., Hallandale Beach, FL (US) 33099;  
**Daniel J. Martin**, 124 SW. 2nd Ave., Hallandale Beach, FL (US) 33099;  
**Rebecca S. Williams**, 124 SW. 2nd Ave., Hallandale Beach, FL (US) 33099

(\*\*) Term: **14 Years**

(21) Appl. No.: **29/344,920**

(22) Filed: **Oct. 6, 2009**

(51) **LOC (9) Cl.** ..... **07-02**

(52) **U.S. Cl.** ..... **D7/402**

(58) **Field of Classification Search** ..... D7/332, D7/334-337, 402-405, 407; 126/25 R, 29-30, 126/25 A, 25 AA, 9 R, 38, 37 R, 41 R, 40, 126/39 E, 39 H, 50, 276, 268, 519, 506, 215, 126/192; 99/481-482, 646 R; 248/351, 248/354.1, 354.3, 354.5, 354.6, 121; 292/338; D8/373, 380

See application file for complete search history.

(56) **References Cited**

**U.S. PATENT DOCUMENTS**

3,834,745 A 9/1974 Coates  
4,476,849 A 10/1984 Schmidt

D317,239 S \* 6/1991 Croft ..... D7/402  
6,357,435 B1 \* 3/2002 Van Hook ..... 126/25 R  
6,705,306 B1 3/2004 Dickey  
D611,299 S \* 3/2010 Woycik ..... D7/402  
2006/0231087 A1 10/2006 Blair

\* cited by examiner

*Primary Examiner*—Lisa P Lichtenstein  
(74) *Attorney, Agent, or Firm*—Crossley Patent Law; Mark A. Crossley

(57) **CLAIM**

The ornamental design for a grill lid adjustable support, as shown and described.

**DESCRIPTION**

FIG. 1 is a right elevation view of a grill lid adjustable support showing our new design, the opposite side being a mirror image of the shown;

FIG. 2 is a rear elevation view thereof;

FIG. 3 is a front elevation view thereof;

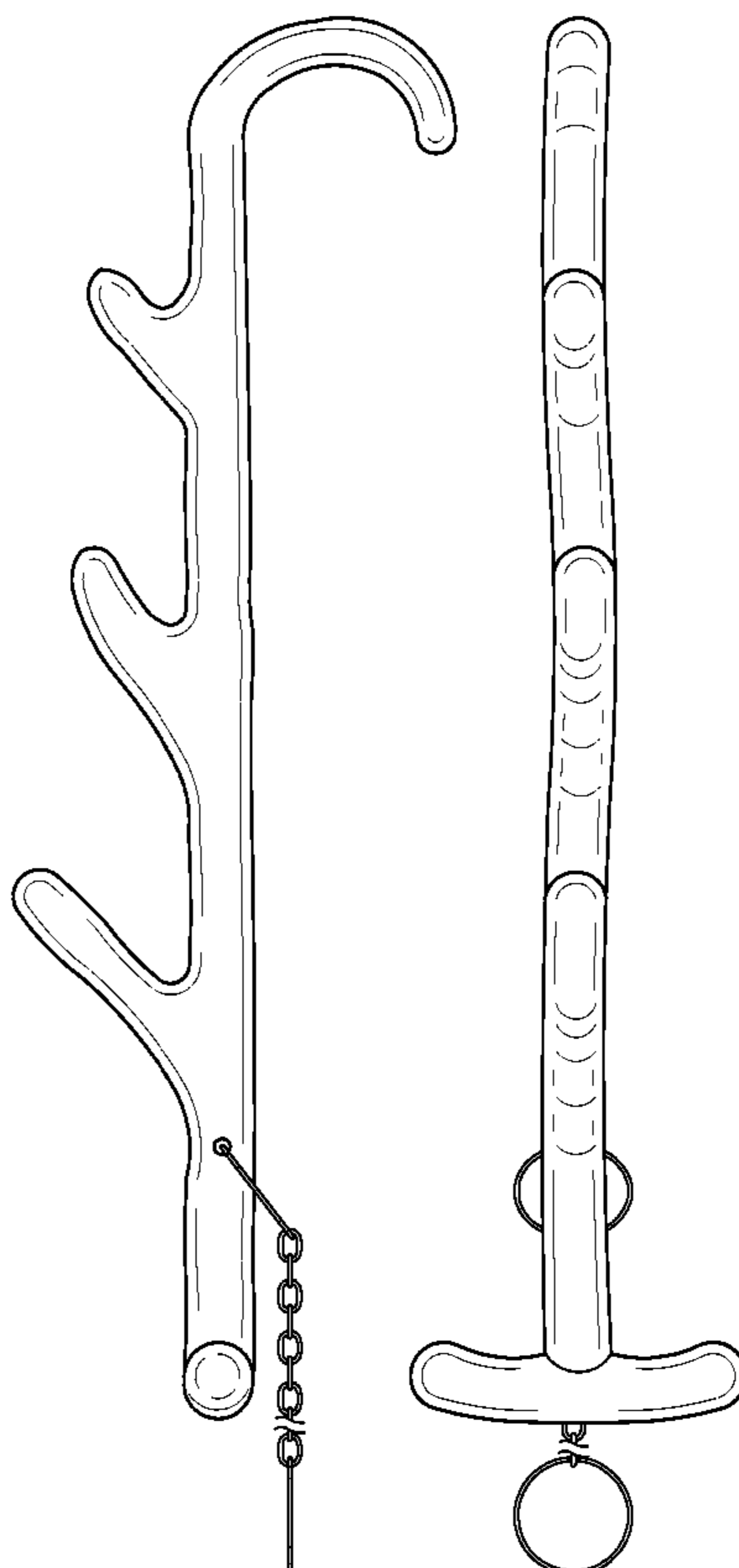
FIG. 4 is a top plan view thereof;

FIG. 5 is a bottom plan view thereof; and,

FIG. 6 is an isometric view thereof.

The broken lines in the drawings depict environmental subject matter only and form no part of the claimed design.

**1 Claim, 3 Drawing Sheets**



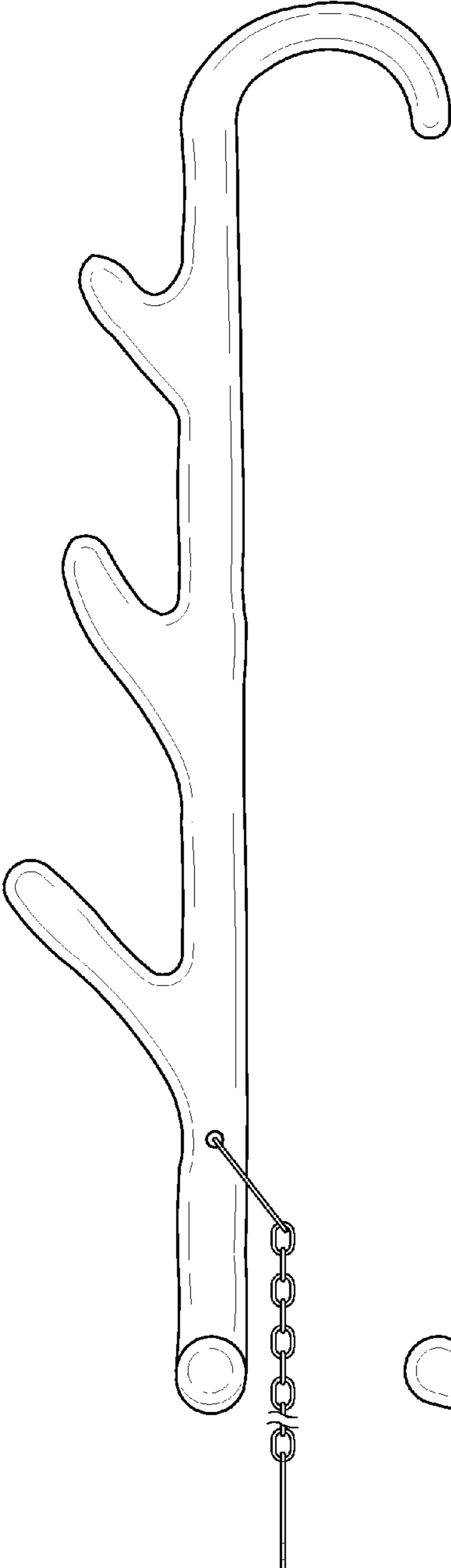


FIG. 1

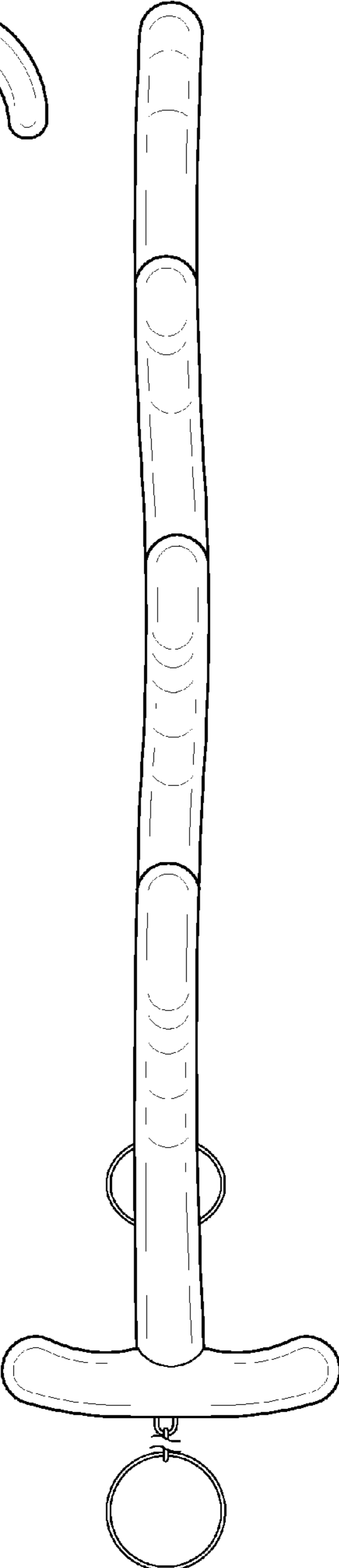


FIG. 2

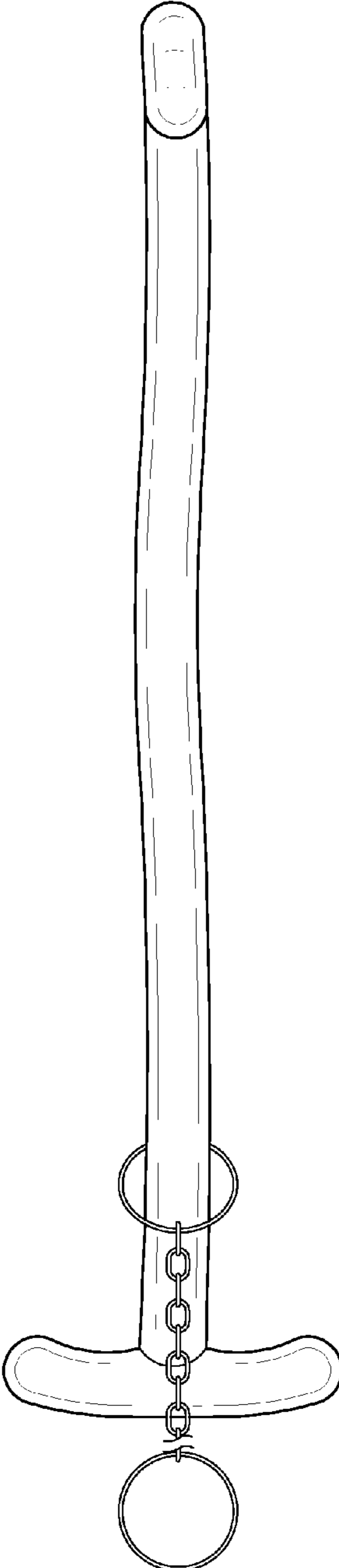


FIG. 3

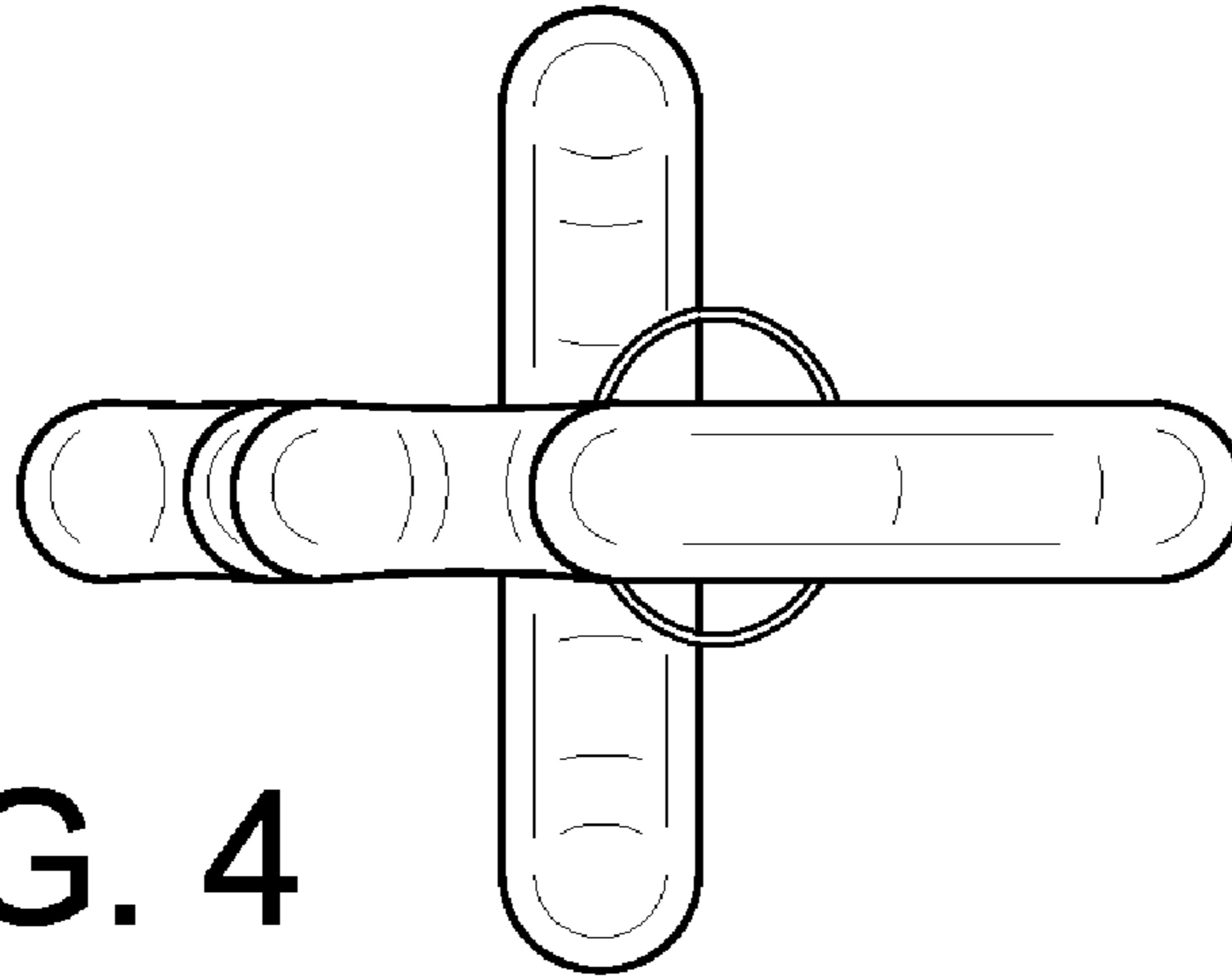


FIG. 4

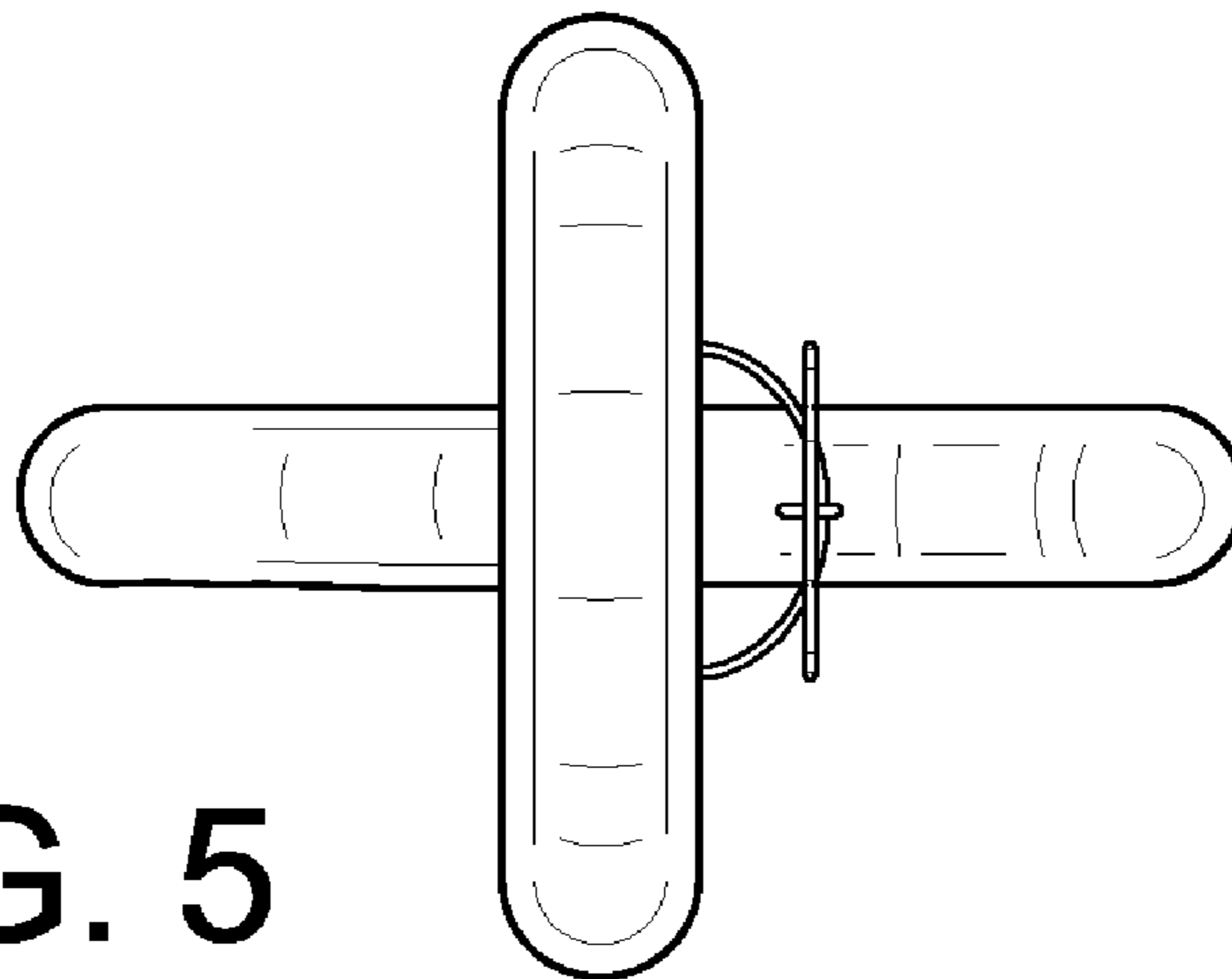


FIG. 5

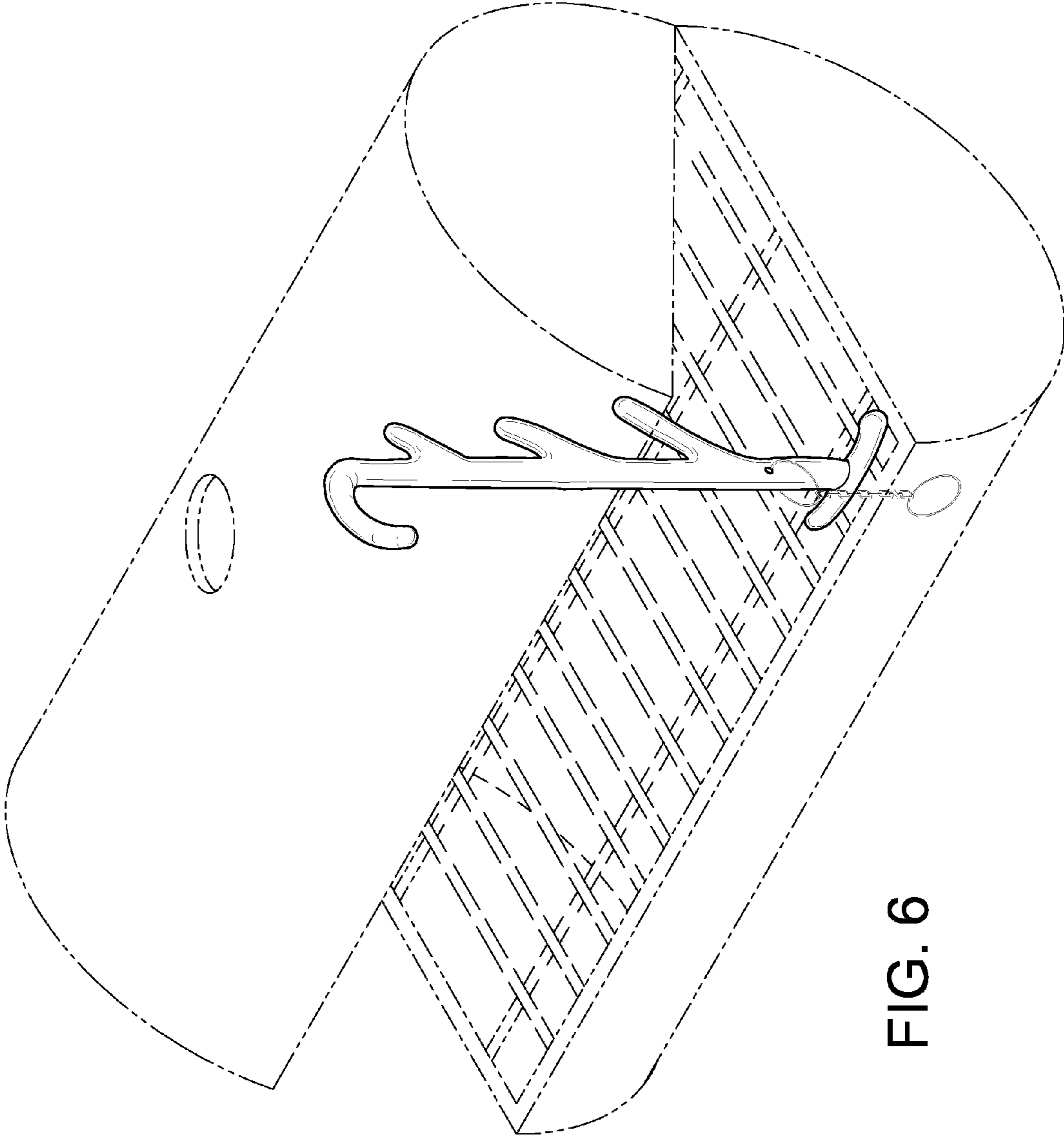


FIG. 6