



US00D618503S

(12) **United States Design Patent**
Baacke

(10) **Patent No.:** **US D618,503 S**
(45) **Date of Patent:** **** Jun. 29, 2010**

(54) **EVACUATION SYSTEM**

(75) Inventor: **Sven Baacke**, München (DE)

(73) Assignee: **BSH Bosch und Siemens Hausgeraete GmbH**, Munich (DE)

(**) Term: **14 Years**

(21) Appl. No.: **29/301,486**

(22) Filed: **Mar. 3, 2008**

(30) **Foreign Application Priority Data**

Sep. 12, 2007 (EM) 000795604

(51) **LOC (9) Cl.** **07-02**

(52) **U.S. Cl.** **D7/402**

(58) **Field of Classification Search** D7/402,
D7/403, 405, 406; D23/370-373, 385, 388;
126/299 D, 299 R; 454/63, 349, 354
See application file for complete search history.

(56) **References Cited**

U.S. PATENT DOCUMENTS

D318,111 S	*	7/1991	Galassi	D23/372
D380,823 S	*	7/1997	LaZar	D23/371
D436,658 S	*	1/2001	Goulet	D23/372
D444,221 S	*	6/2001	Strand et al.	D23/372
D450,379 S	*	11/2001	Strand et al.	D23/372
D451,587 S	*	12/2001	Goulet	D23/372

D465,021 S	*	10/2002	Liou	D23/372
D468,961 S	*	1/2003	Becker et al.	D7/402
D488,215 S	*	4/2004	Roberts et al.	D23/373
D532,508 S	*	11/2006	Cheng	D23/372
D540,619 S	*	4/2007	Kim	D7/405
D565,719 S	*	4/2008	Cheng	D23/372
D577,806 S	*	9/2008	Grey et al.	D23/372

* cited by examiner

Primary Examiner—T. Chase Nelson

Assistant Examiner—Mark Cavanna

(74) *Attorney, Agent, or Firm*—James E. Howard; Andre Pallapies

(57) **CLAIM**

The ornamental design for an evacuation system, as shown.

DESCRIPTION

FIG. 1 is a perspective view of an evacuation system showing my new ornamental design;

FIG. 2 is a front view thereof;

FIG. 3 is a right view thereof;

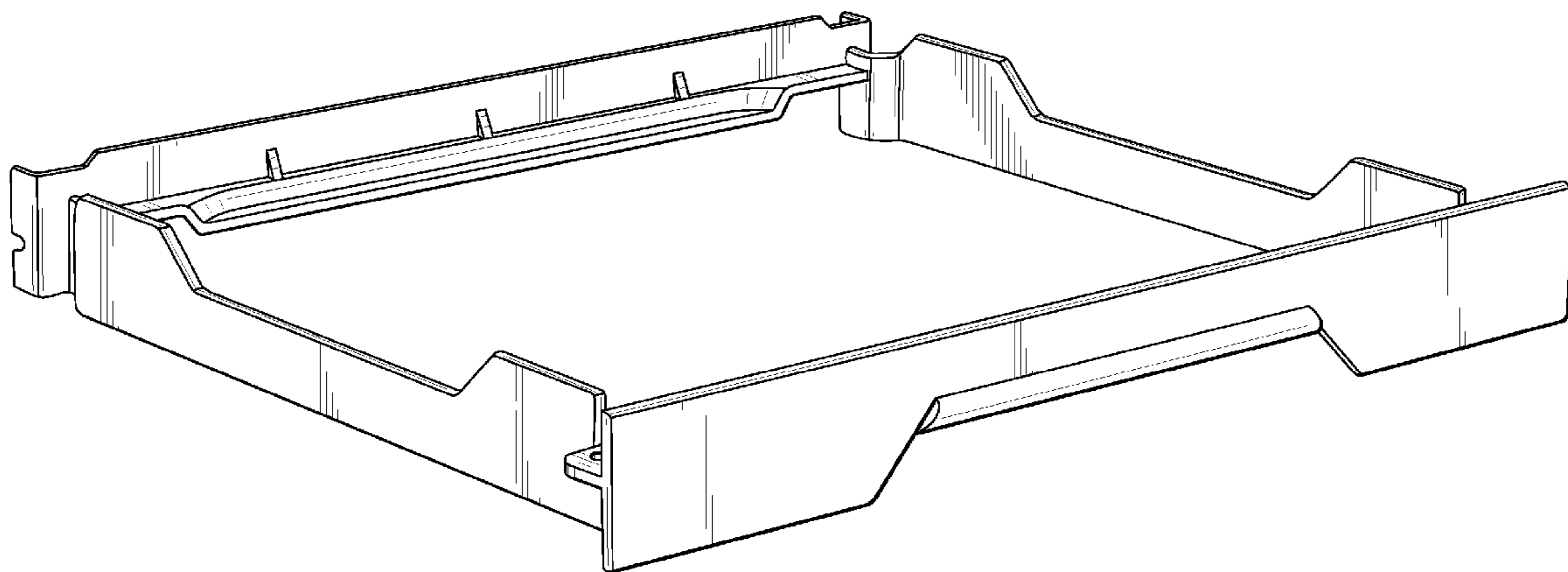
FIG. 4 is a rear view thereof;

FIG. 5 is a left view thereof;

FIG. 6 is a top view thereof; and,

FIG. 7 is a bottom view thereof.

1 Claim, 4 Drawing Sheets



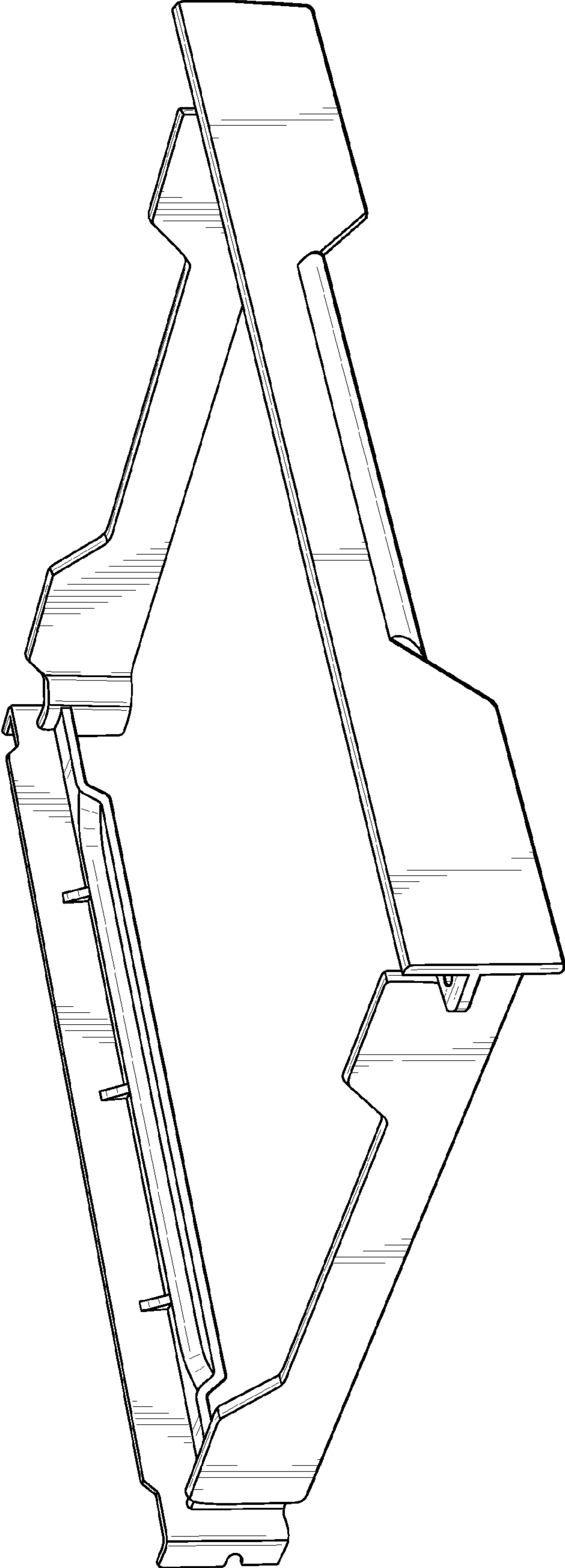


FIG. 1

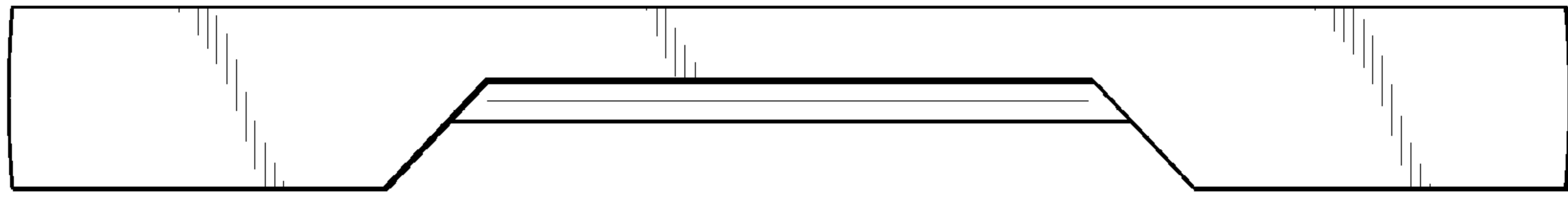


FIG. 2

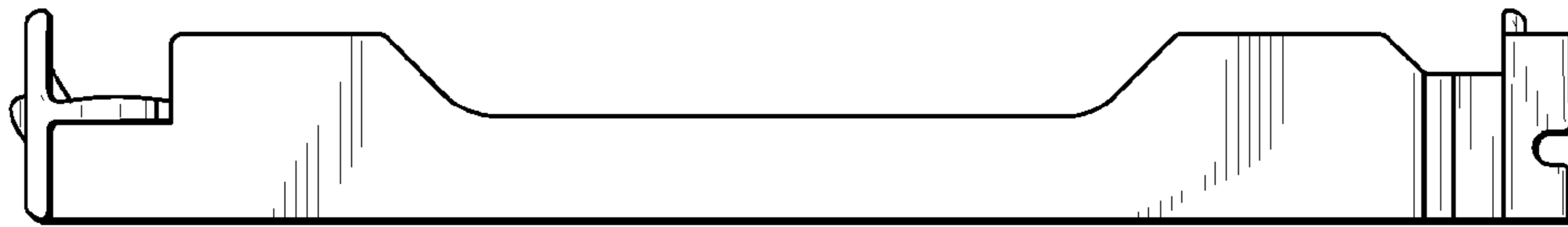


FIG. 3

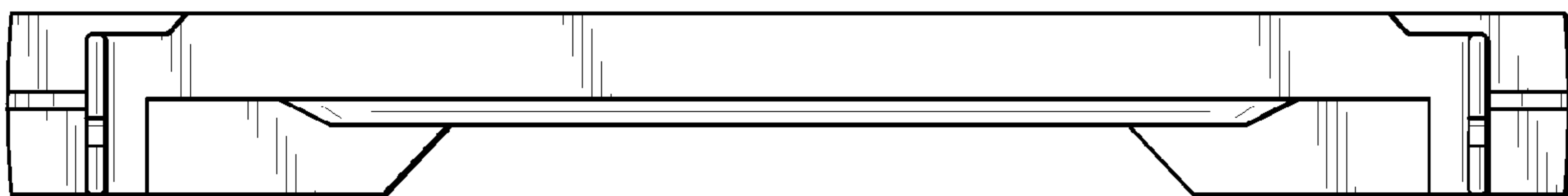


FIG. 4

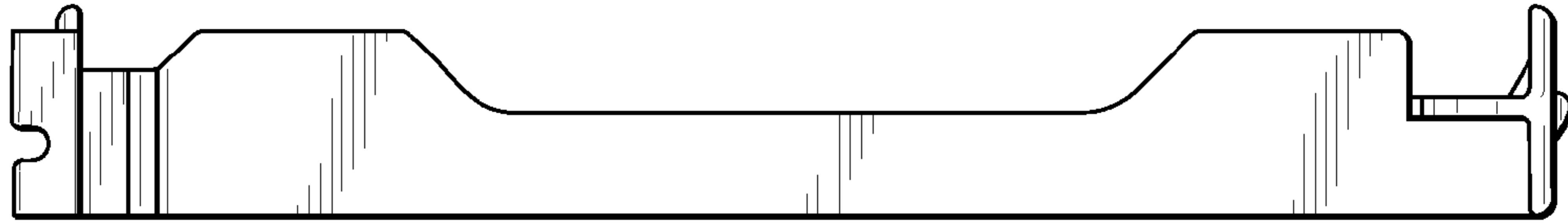


FIG. 5

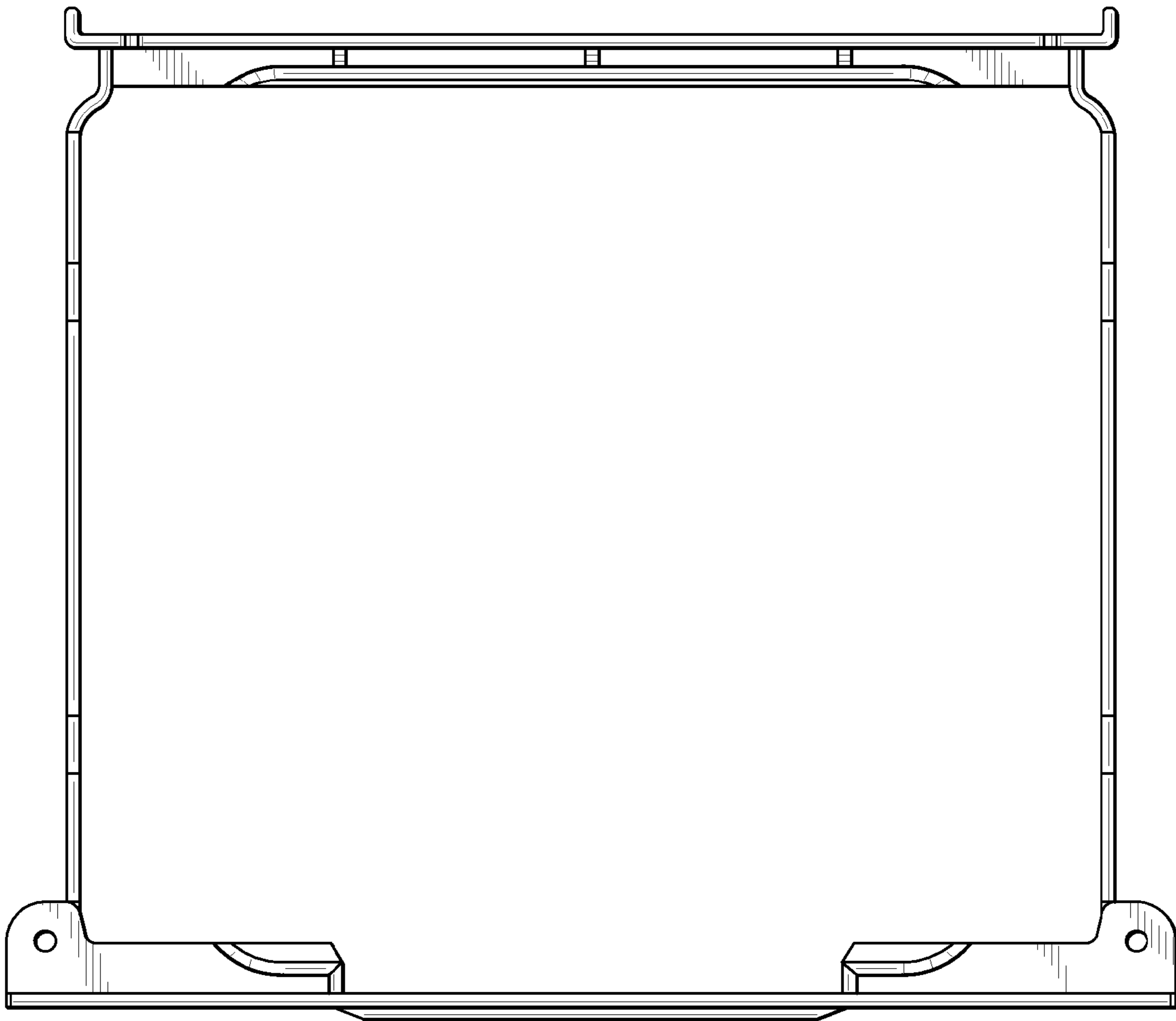


FIG. 6

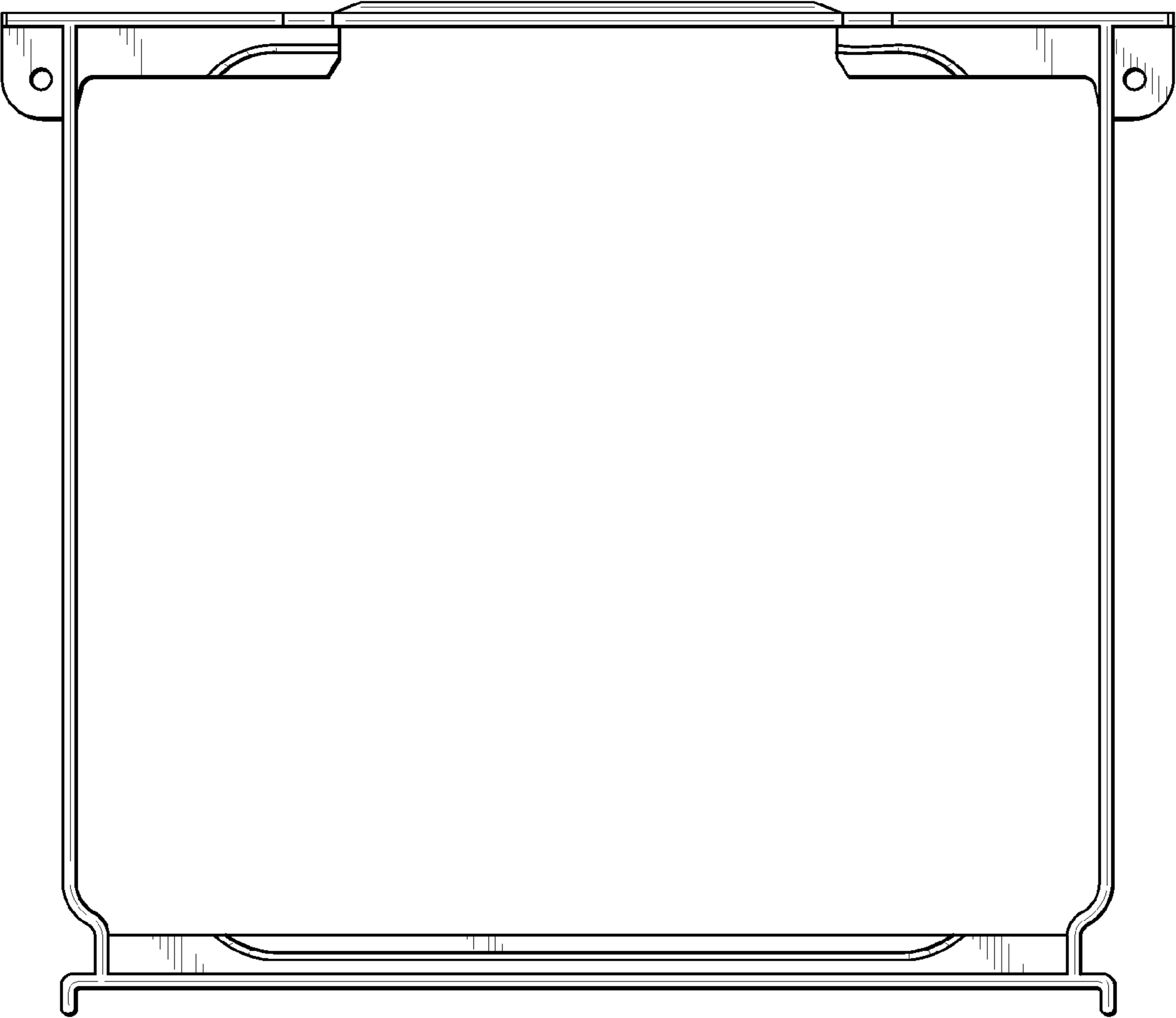


FIG. 7