



US00D618502S

(12) **United States Design Patent**
Cloutier

(10) **Patent No.:** **US D618,502 S**

(45) **Date of Patent:** **** Jun. 29, 2010**

(54) **COFFEE FILTER RING**

(76) Inventor: **Andre Cloutier**, 508 Birch St., Bristol,
CT (US) 06010

(**) Term: **14 Years**

(21) Appl. No.: **29/350,855**

(22) Filed: **Nov. 24, 2009**

(51) **LOC (9) Cl.** **07-01**

(52) **U.S. Cl.** **D7/400; D7/399; D7/387**

(58) **Field of Classification Search** **D7/400,**
D7/213, 387, 399, 412; D8/396, 499, 395;
210/238, 474; 99/295, 316

See application file for complete search history.

(56) **References Cited**

U.S. PATENT DOCUMENTS

972,531	A *	10/1910	Haynes	24/562
4,319,758	A *	3/1982	Nicholson	277/550
4,656,932	A *	4/1987	Kopp	99/295
D317,388	S *	6/1991	White	D7/400
5,252,211	A *	10/1993	Searfoss, Jr.	210/474
D341,059	S *	11/1993	Watson	D7/400
D349,833	S *	8/1994	Enos	D7/400

5,888,392	A *	3/1999	Frizell	210/238
D426,425	S *	6/2000	Hermanski	D7/400
D563,156	S *	3/2008	Goodman et al.	D7/388
D598,710	S *	8/2009	Griffith	D7/412
D608,189	S *	1/2010	Jackson et al.	D8/395

* cited by examiner

Primary Examiner—Marianne Pandozzi

(74) *Attorney, Agent, or Firm*—Robert S. Smith

(57) **CLAIM**

The ornamental design for a coffee filter ring, as shown and described.

DESCRIPTION

FIG. 1 is a top plan view of a coffee filter ring showing my new design;

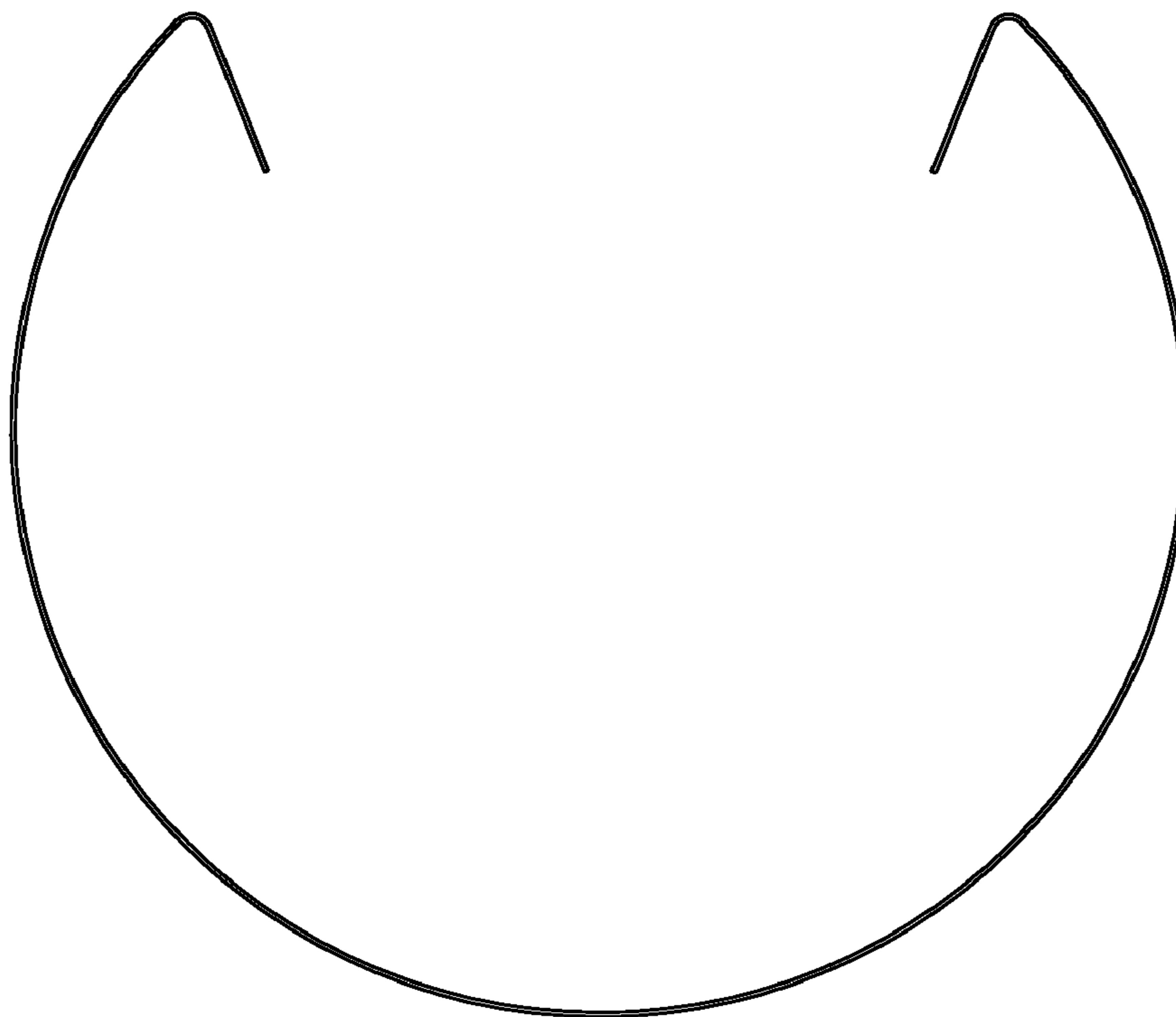
FIG. 2 is a side view of the coffee filter ring.

FIG. 3 is a rear view of the coffee filter ring; and,

FIG. 4 is an environmental perspective view thereof.

The broken lines in FIG. 4 are included for the purpose of illustrating environment and form no part of the claimed design.

1 Claim, 2 Drawing Sheets



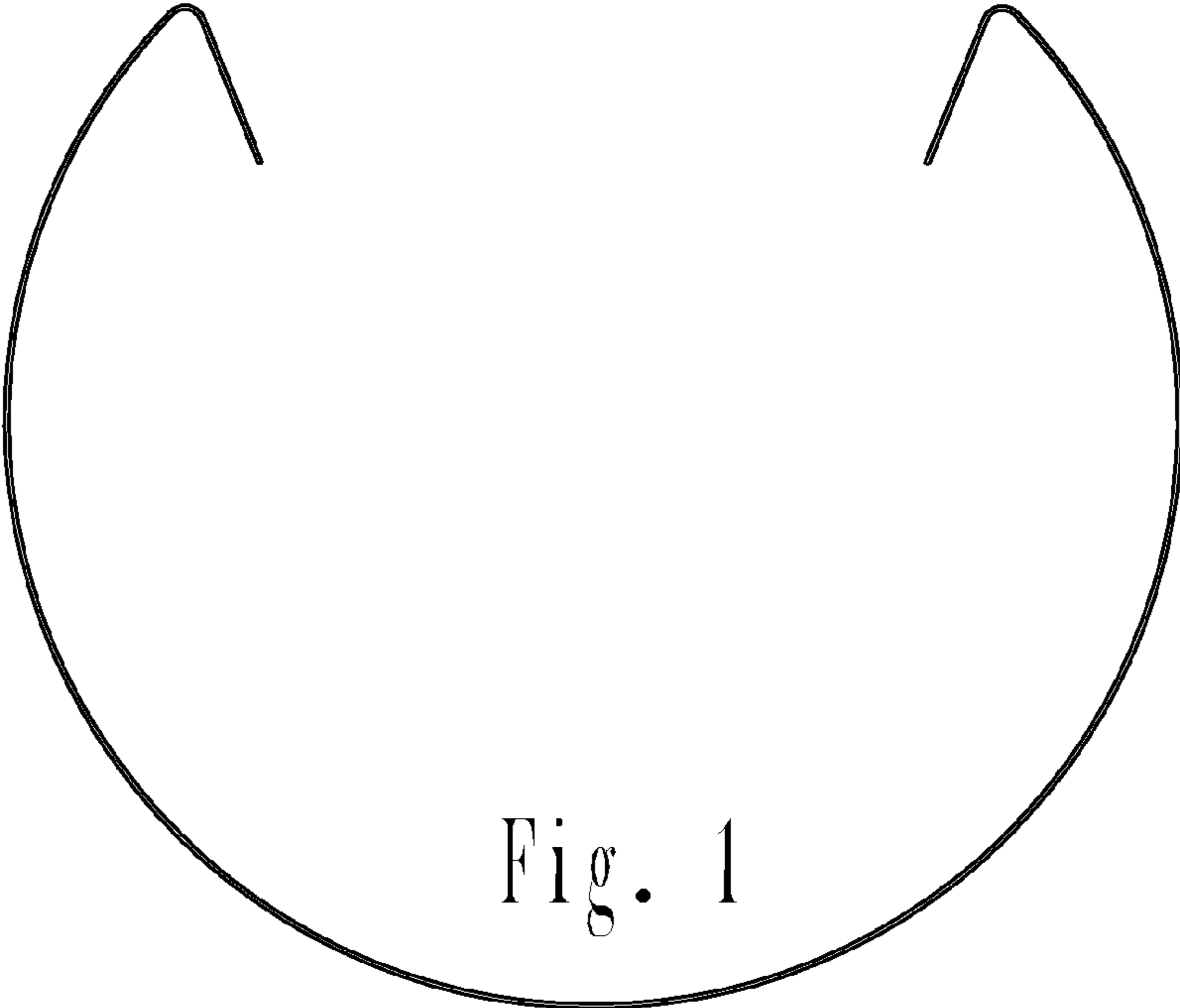


Fig. 1

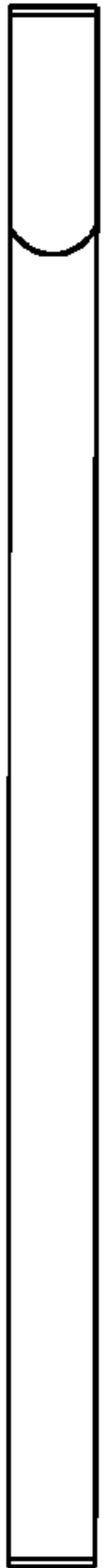


Fig. 2



Fig. 3

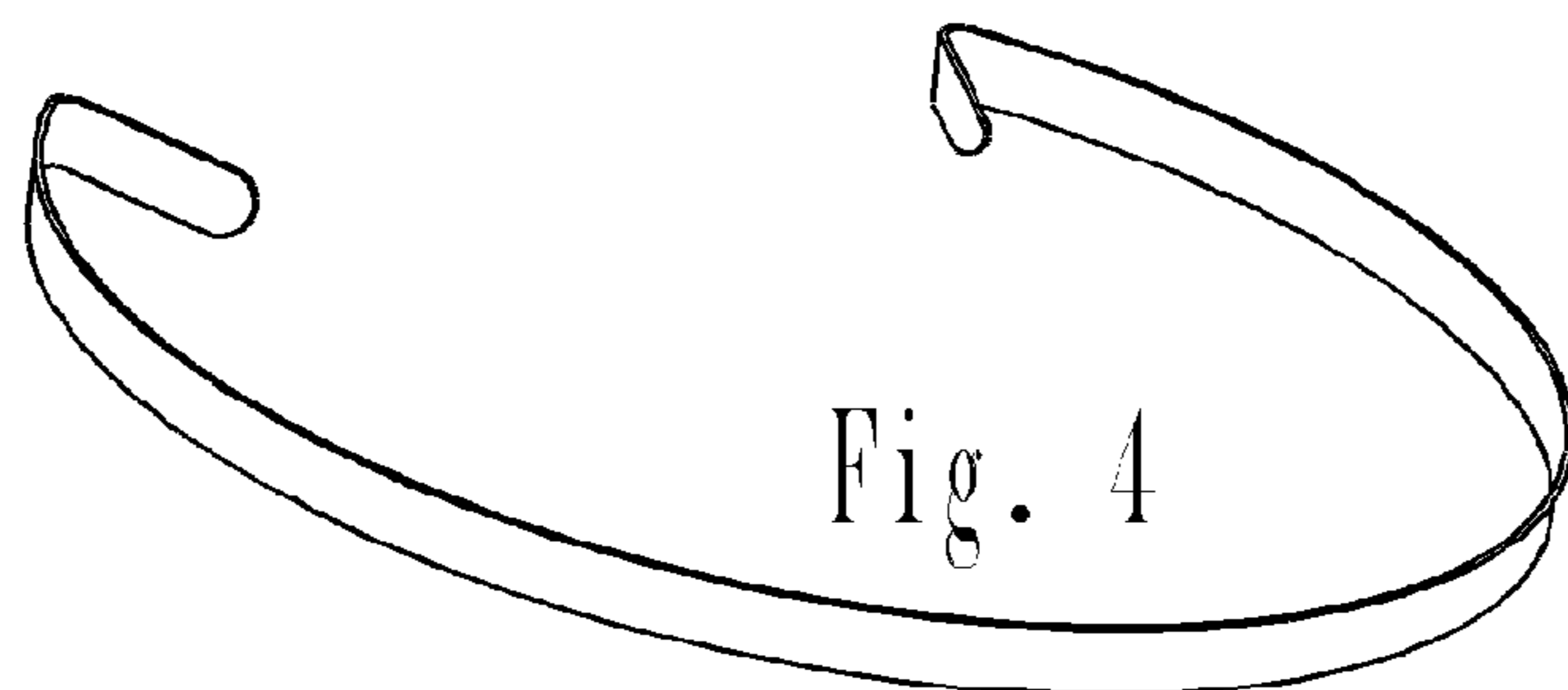


Fig. 4

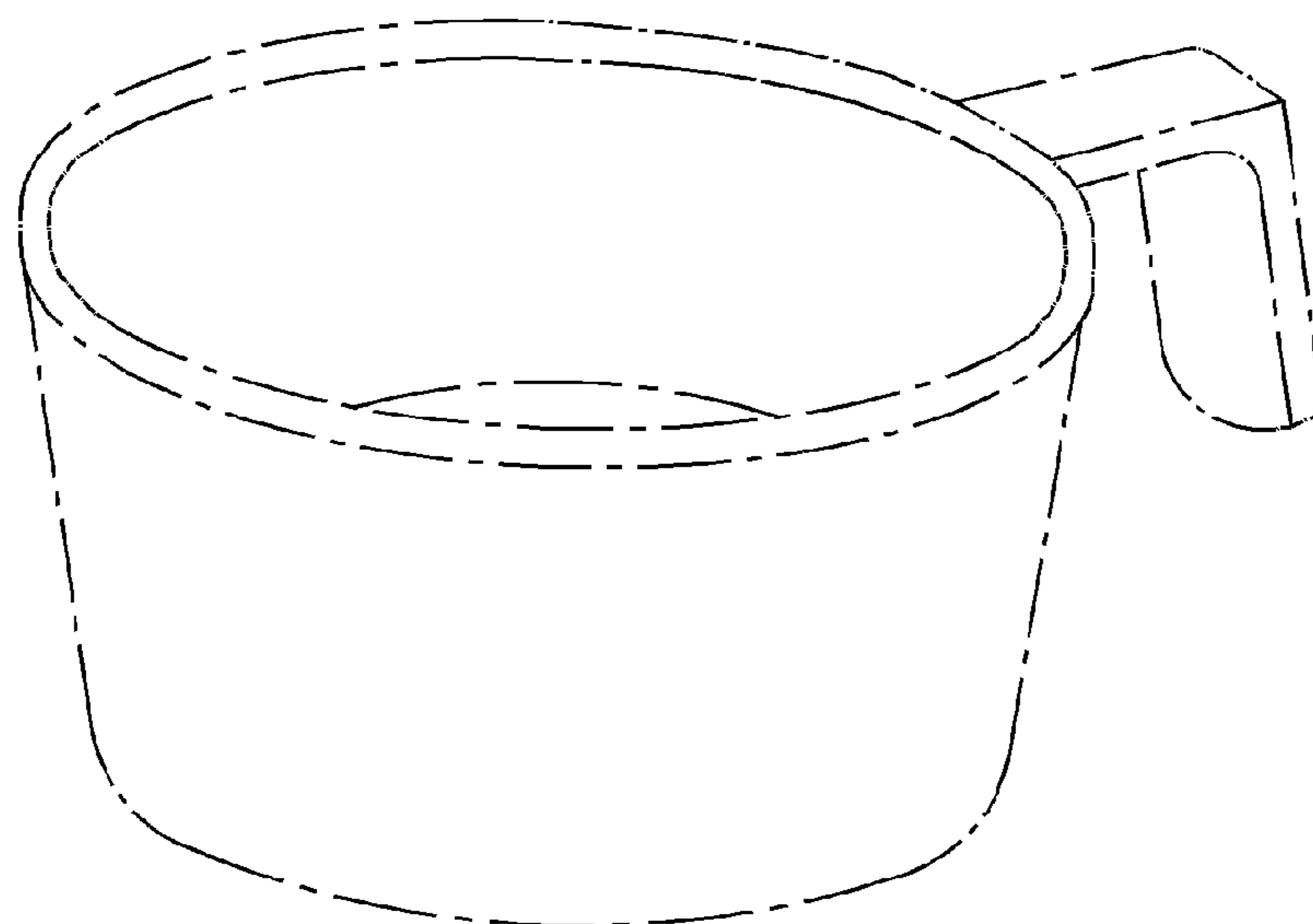
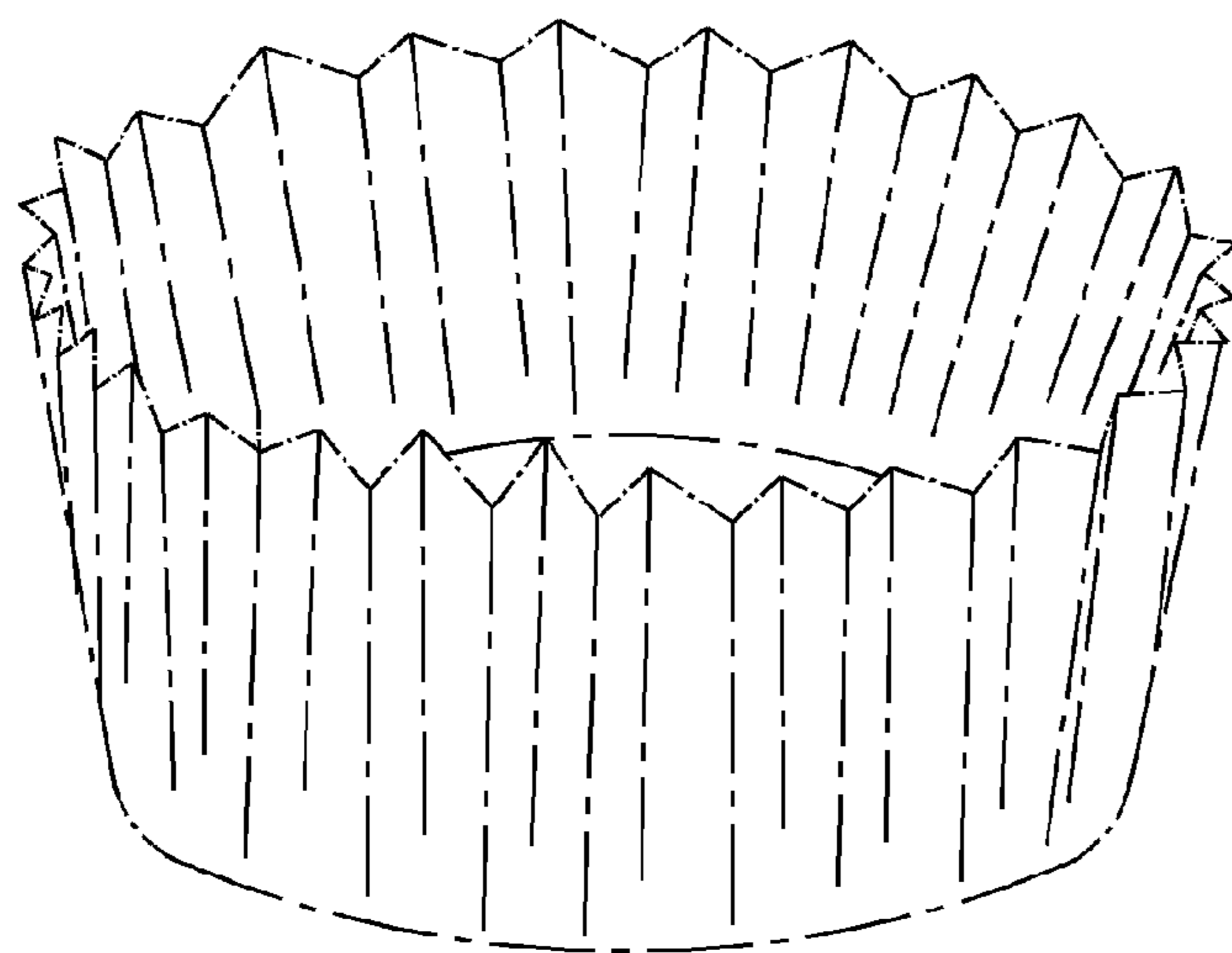


Fig. 5