



US00D618501S

(12) **United States Design Patent**
Billot et al.

(10) **Patent No.:** **US D618,501 S**
(45) **Date of Patent:** **** Jun. 29, 2010**

(54) **COFFEE FILTER DISPENSER**

(76) Inventors: **Joseph A. Billot**, 7710 W. Rosada Way,
Las Vegas, NV (US) 89149; **Elizabeth**
Billot, 7710 W. Rosada Way, Las Vegas,
NV (US) 89149

(**) Term: **14 Years**

(21) Appl. No.: **29/346,654**

(22) Filed: **Nov. 4, 2009**

(51) **LOC (9) Cl.** **07-01**

(52) **U.S. Cl.** **D7/400; D9/734**

(58) **Field of Classification Search** D7/601,
D7/400, 398, 538; D6/513, 515, 559; D9/734;
D3/302; 206/557, 278; 210/482

See application file for complete search history.

(56) **References Cited**

U.S. PATENT DOCUMENTS

4,214,673	A *	7/1980	Heath et al.	221/259
4,266,665	A	5/1981	Nelson		
D283,384	S *	4/1986	Jackson	D6/559
4,619,766	A	10/1986	Smiley		
4,629,092	A *	12/1986	English	221/247
4,674,635	A	6/1987	Huldin et al.		
4,805,801	A *	2/1989	Knopf	221/210
5,097,984	A *	3/1992	Meisner et al.	221/37

5,197,630	A *	3/1993	Kirla	221/37
D334,499	S *	4/1993	Meisner et al.	D6/515
D363,181	S	10/1995	Leviness		
5,615,767	A *	4/1997	Eull et al.	206/278
5,671,865	A *	9/1997	Sarris	221/36
6,131,764	A	10/2000	Norman		
D460,301	S *	7/2002	Milliorn	D9/734
D460,660	S *	7/2002	Fischer et al.	D7/400
6,571,984	B1 *	6/2003	Winesett	221/36

* cited by examiner

Primary Examiner—Marianne Pandozzi
(74) *Attorney, Agent, or Firm*—Kyle Fletcher

(57) **CLAIM**

The ornamental design for coffee filter dispenser, as shown and described.

DESCRIPTION

FIG. 1 is a front view of the coffee filter dispenser.

FIG. 2 is a rear view of the claimed design.

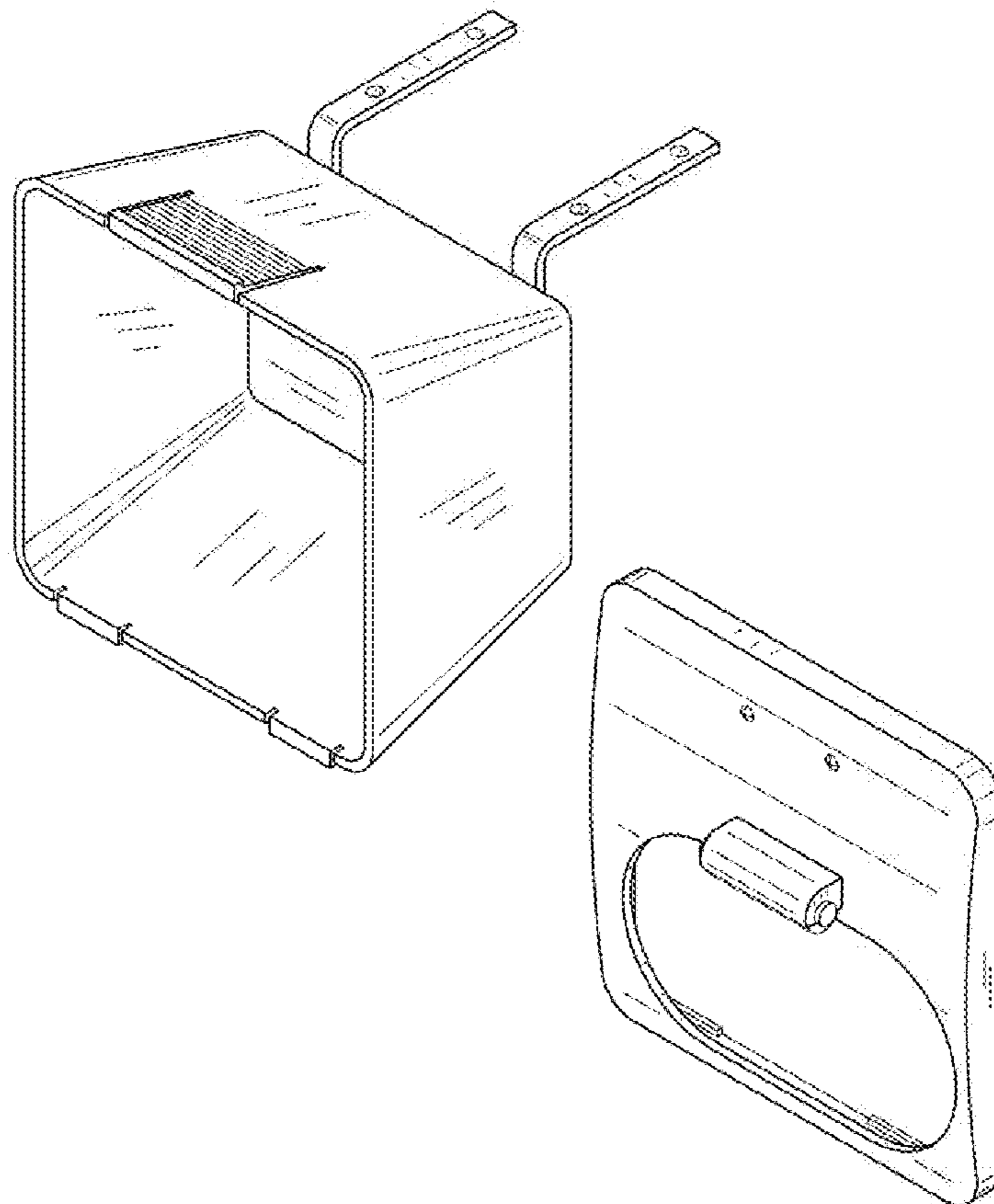
FIG. 3 is a side view of the claimed design.

FIG. 4 is a top view of the claimed design.

FIG. 5 is a bottom view of the claimed design; and,

FIG. 6 is an isometric view of the claimed design.

1 Claim, 6 Drawing Sheets



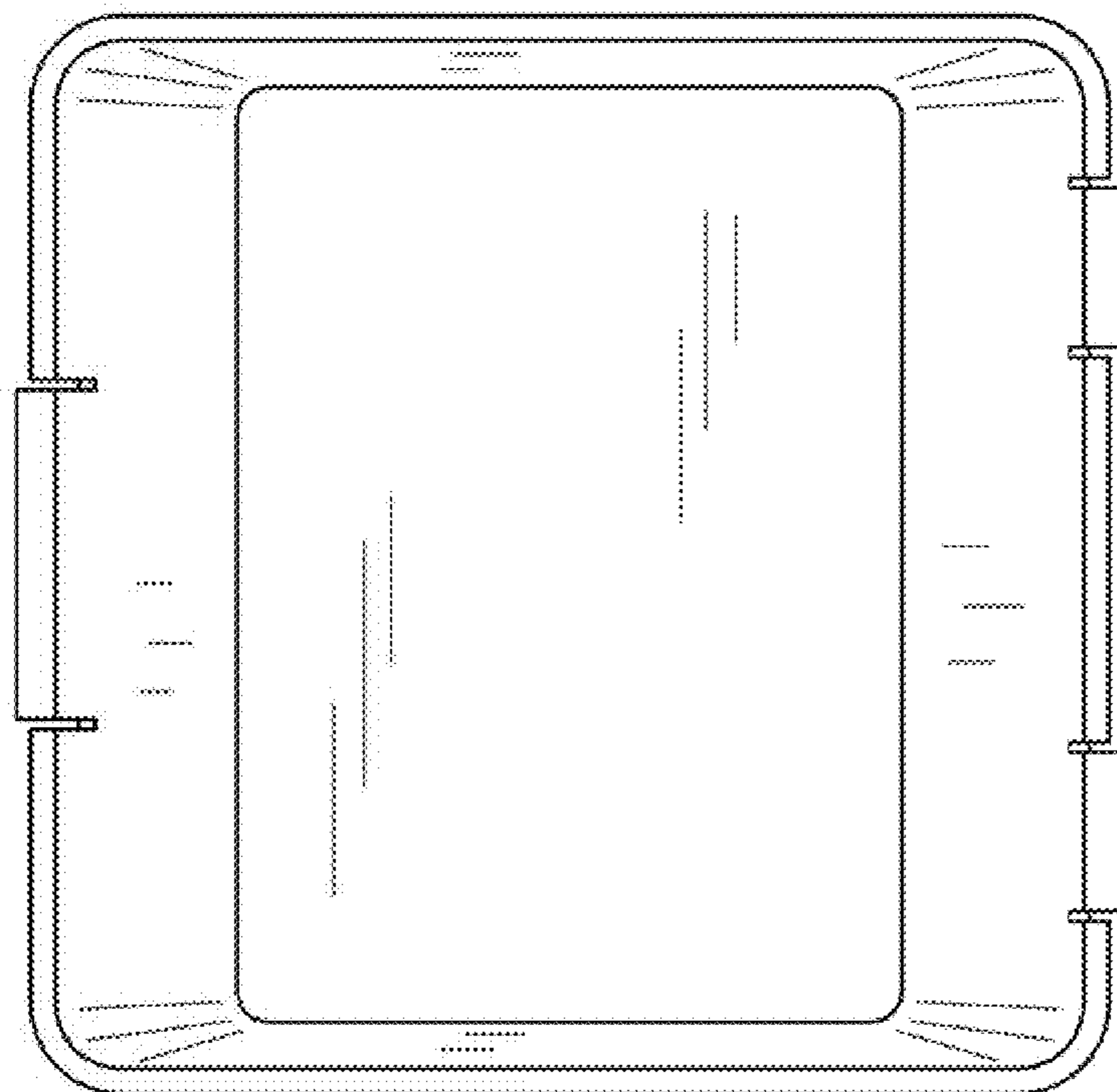
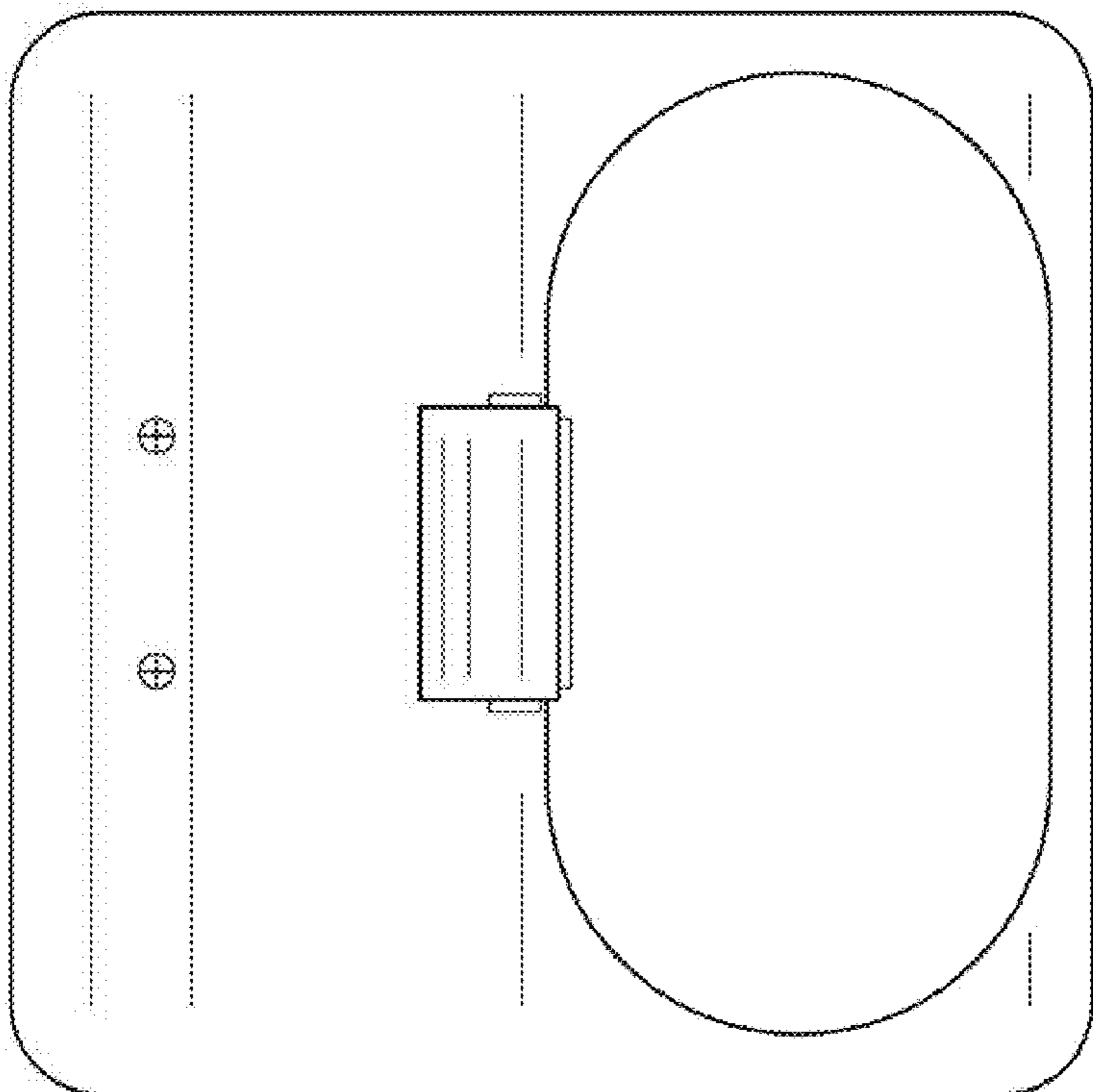


FIG. 1

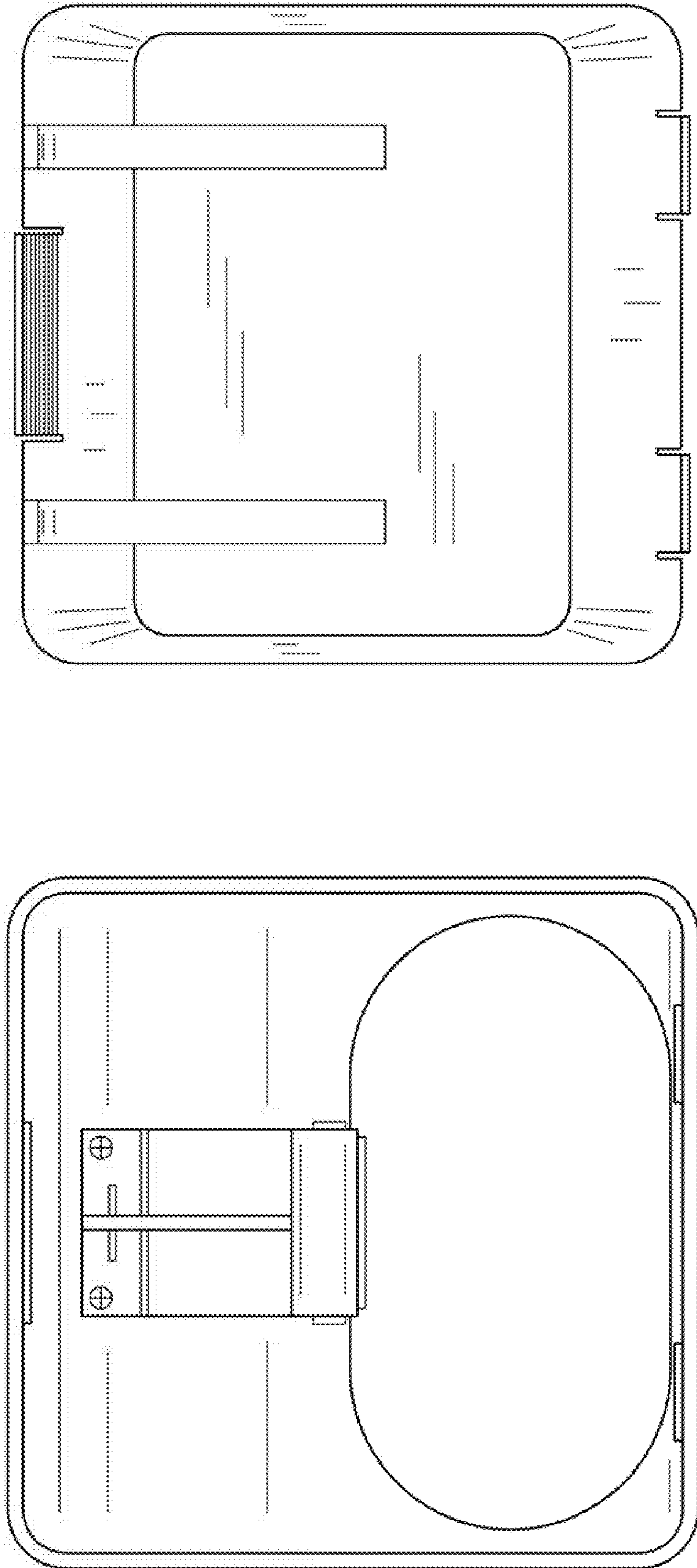


FIG. 2

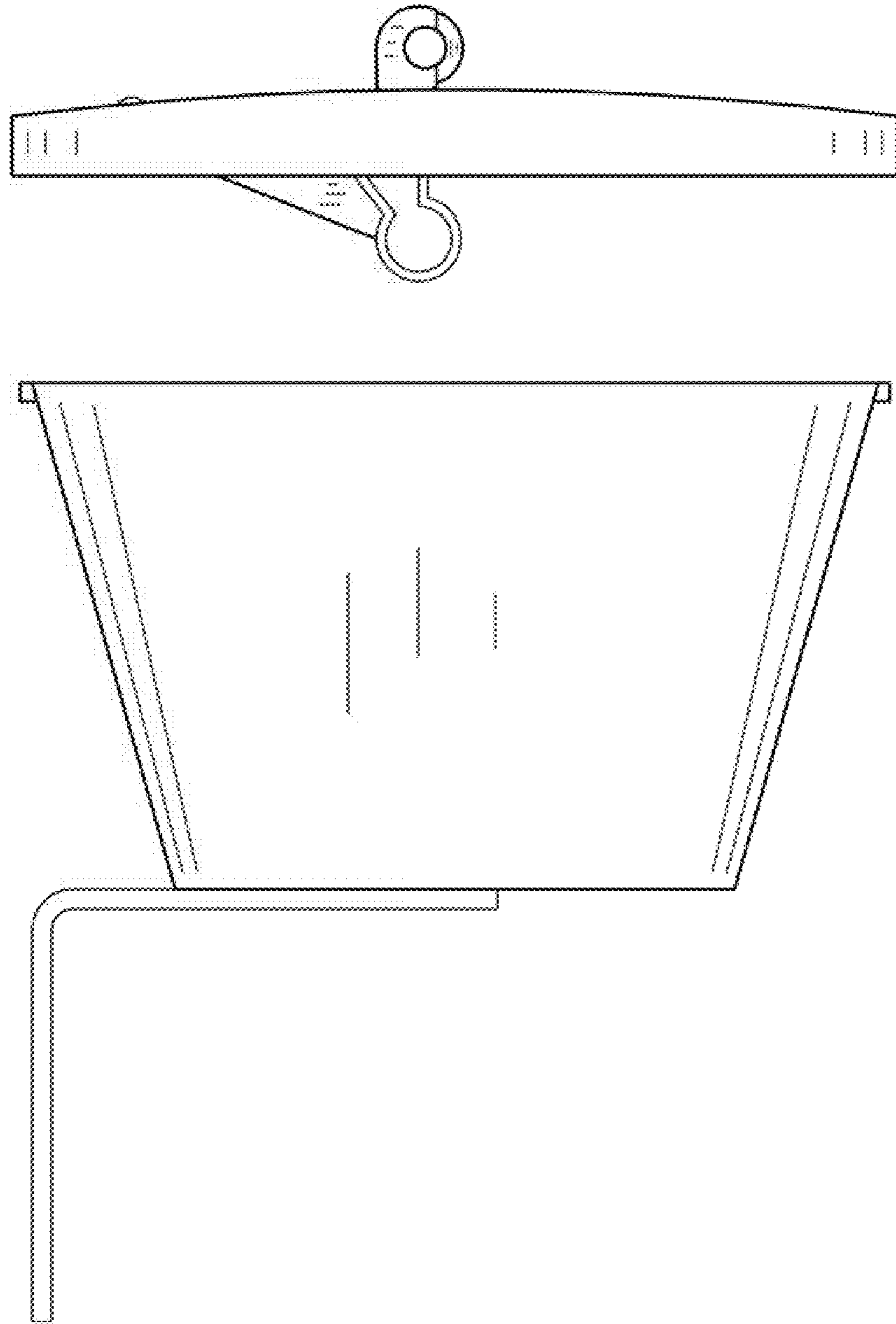


FIG. 3

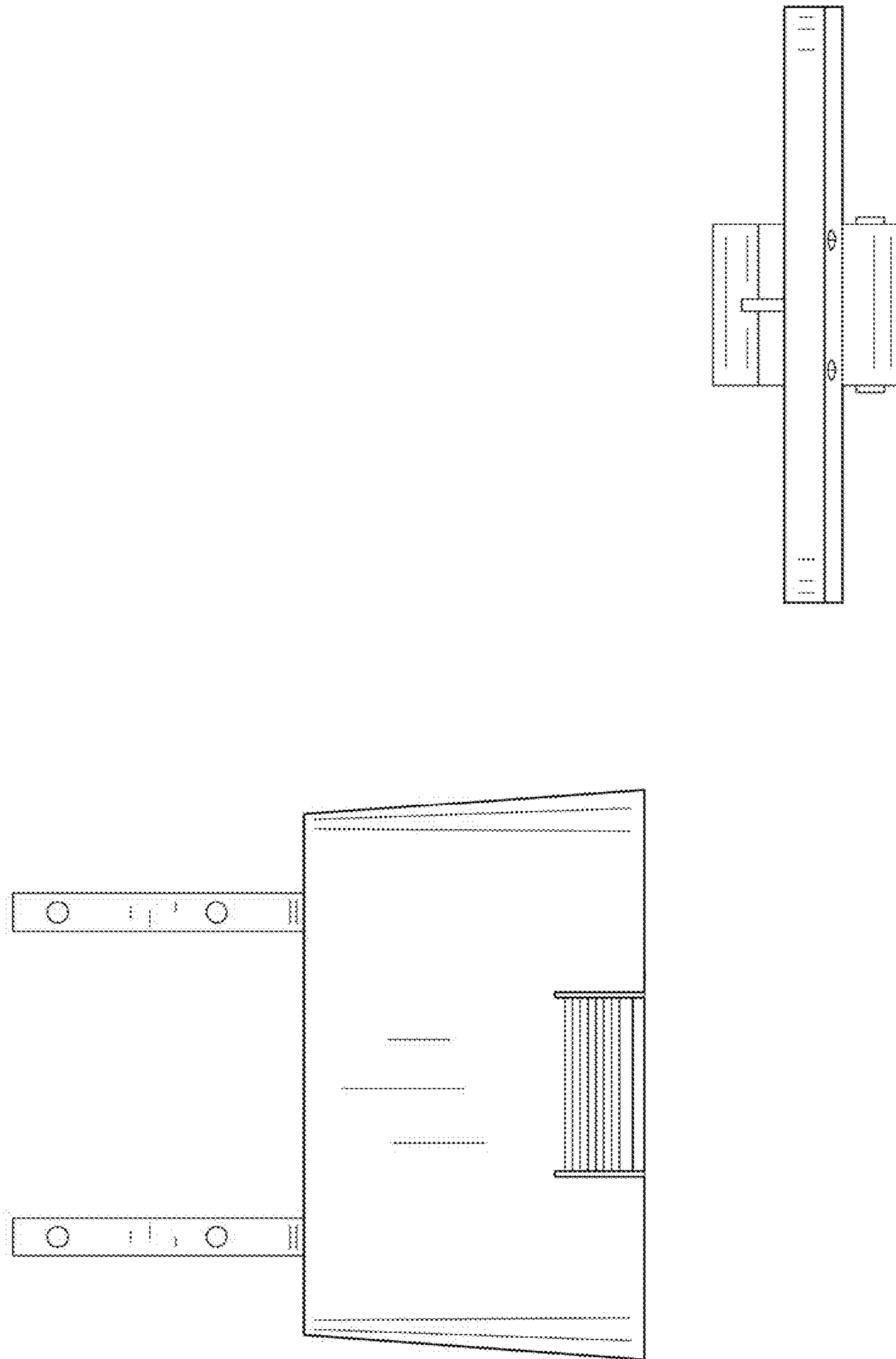


FIG. 4

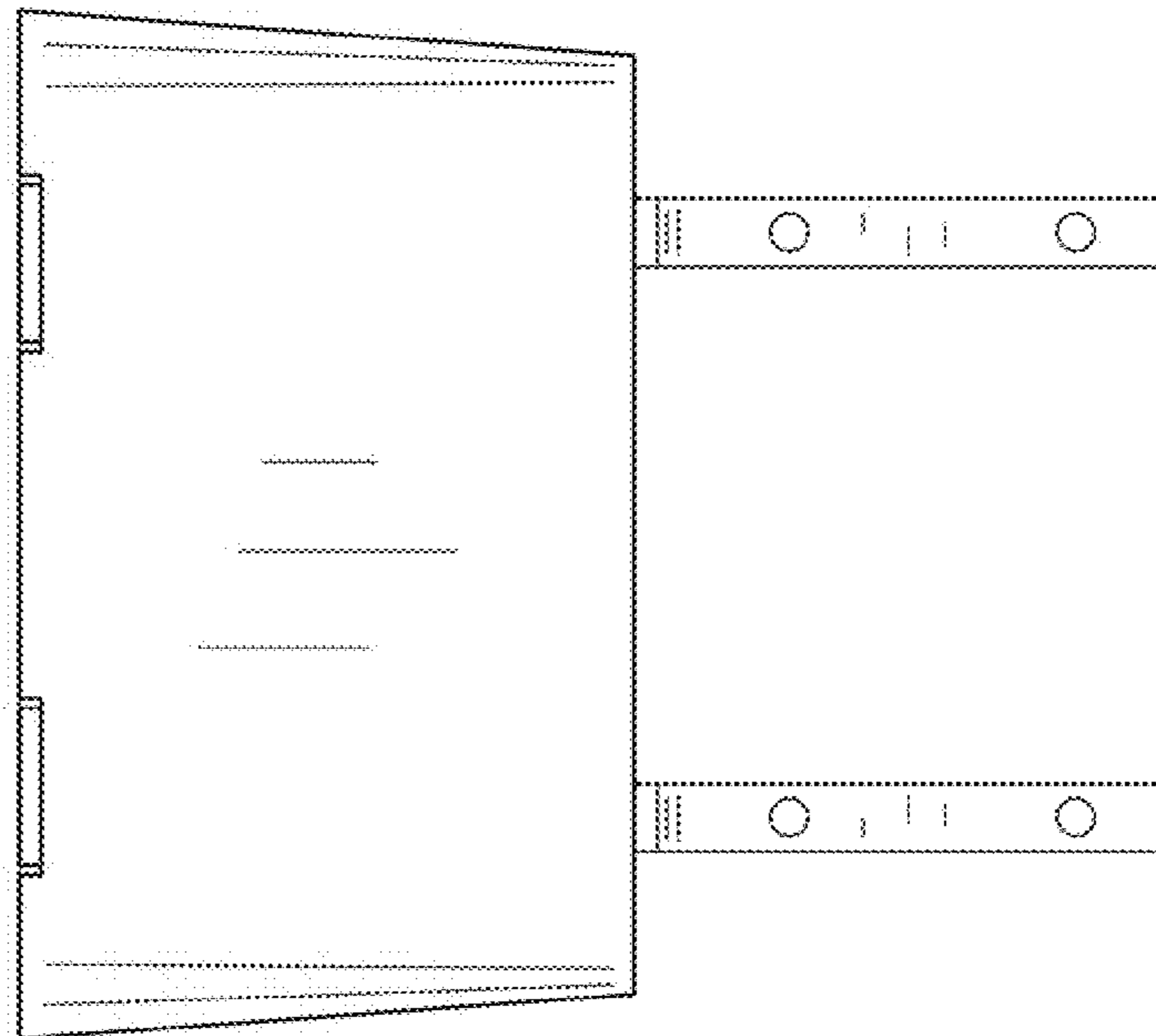
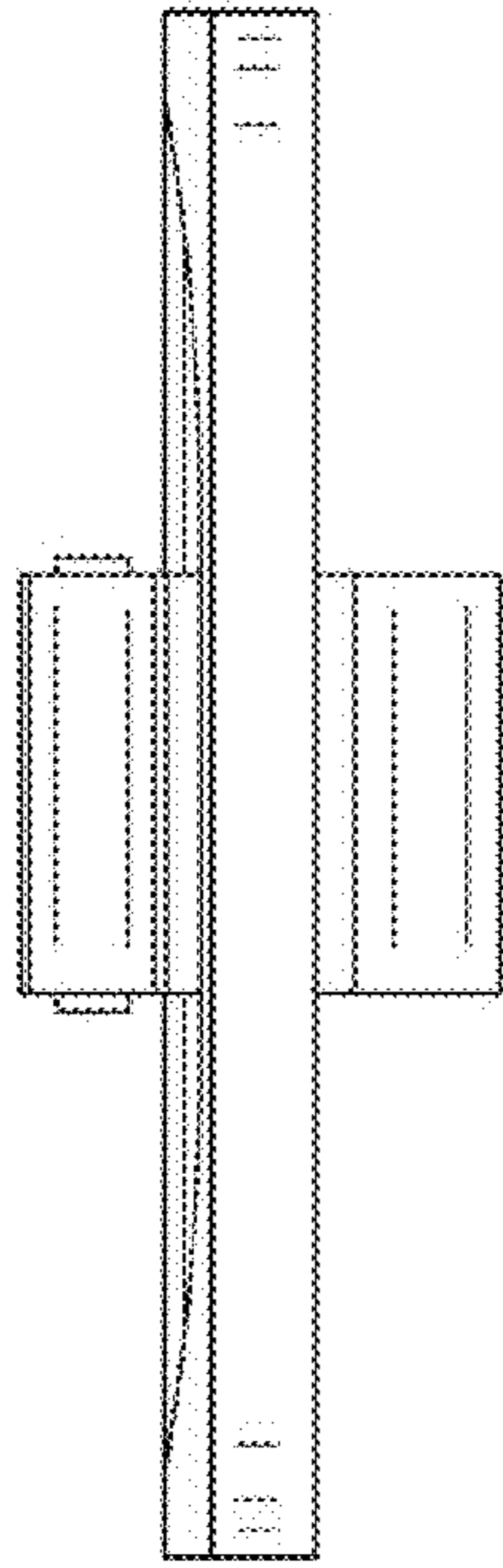


FIG. 5

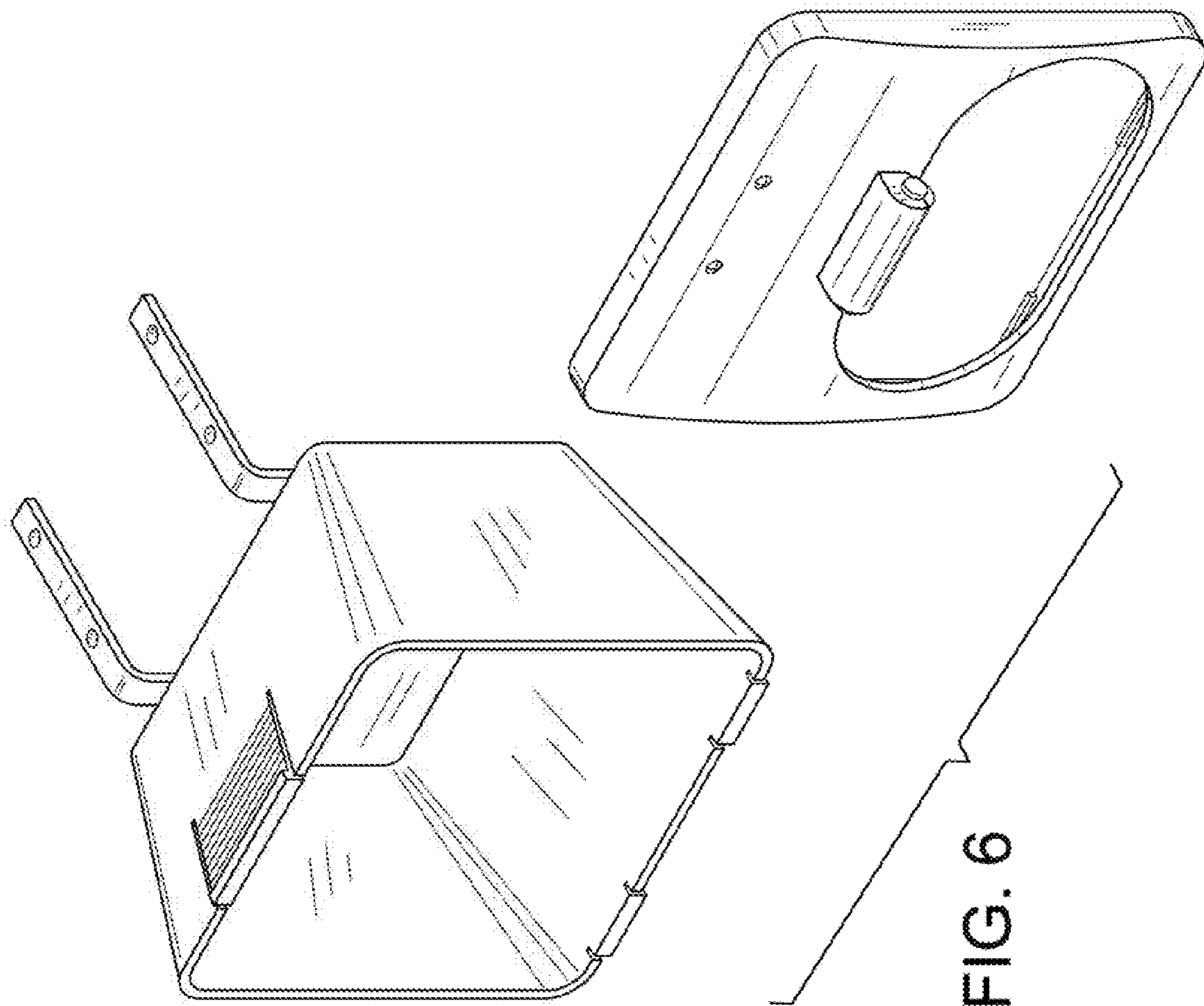


FIG. 6