



US00D618500S

(12) **United States Design Patent**
Hardaway

(10) **Patent No.:** **US D618,500 S**
(45) **Date of Patent:** **** Jun. 29, 2010**

(54) **DONUT-WARMING LID FOR COFFEE CUP**

(76) Inventor: **Glenn Hardaway**, 301 Nora La., Lake Helen, FL (US) 32744

(**) Term: **14 Years**

(21) Appl. No.: **29/348,278**

(22) Filed: **Dec. 17, 2009**

(51) **LOC (9) Cl.** **07-01**

(52) **U.S. Cl.** **D7/396.2; D7/505**

(58) **Field of Classification Search** **D7/396.2,**
D7/396.6, 396.1, 900, 510, 511, 538, 601;
D9/453, 454, 449; 220/792; 215/320, 235,
215/237; 222/480

See application file for complete search history.

(56) **References Cited**

U.S. PATENT DOCUMENTS

576,169	A *	2/1897	Johnson	416/234
3,815,736	A *	6/1974	Sedlak	206/501
RE28,720	E *	2/1976	Sedlak	206/501
D263,450	S *	3/1982	Dutcher et al.	D9/430
5,076,453	A *	12/1991	Odet	215/252
D343,929	S *	2/1994	Karapetian	D30/130
D371,958	S *	7/1996	Keaton	D8/374
D381,472	S *	7/1997	Catalano et al.	D30/130
6,168,813	B1 *	1/2001	Blazevich	426/132
D488,741	S *	4/2004	Moya	D11/143
D489,972	S *	5/2004	Lin	D7/553.6
6,863,912	B2 *	3/2005	Lin	426/115
D527,954	S *	9/2006	Roth	D7/557

D556,567	S *	12/2007	Templeton	D9/425
D564,710	S *	3/2008	Modi et al.	D30/129
D569,175	S *	5/2008	Mansfield et al.	D7/396.1
D604,642	S *	11/2009	Di Robilant et al.	D9/780

* cited by examiner

Primary Examiner—Robert M Spear
Assistant Examiner—Cynthia Underwood
(74) *Attorney, Agent, or Firm*—Elsie C. Turner

(57) **CLAIM**

The ornamental design for a donut-warming lid for a coffee cup.

DESCRIPTION

FIG. 1 is a top perspective view of my new design for a donut-warming lid for a coffee cup, showing the item in use on a coffee cup;

FIG. 2 is a side elevational view thereof, it being understood that all side elevational views are identical;

FIG. 3 is a top plan view of the outside thereof;

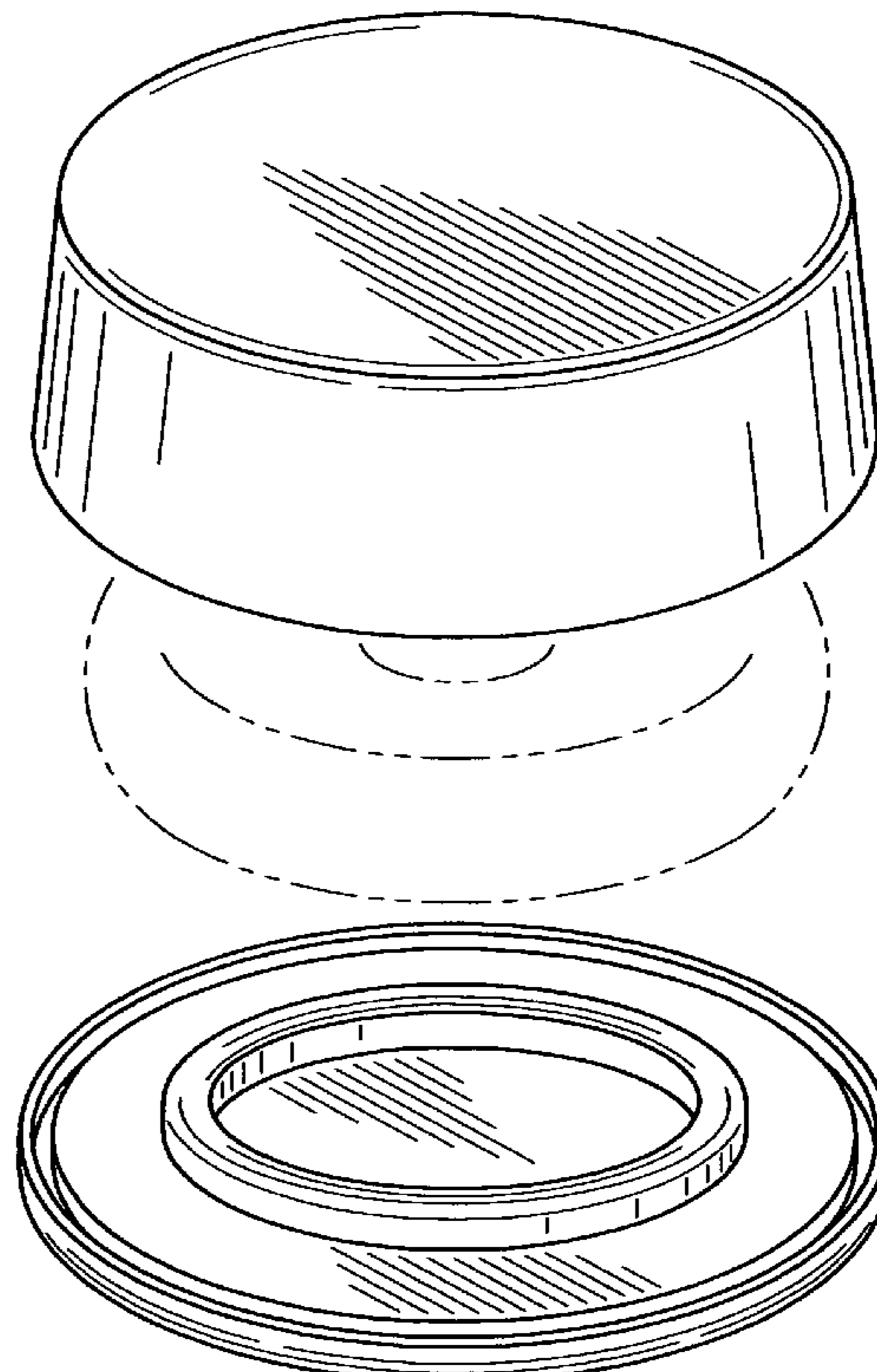
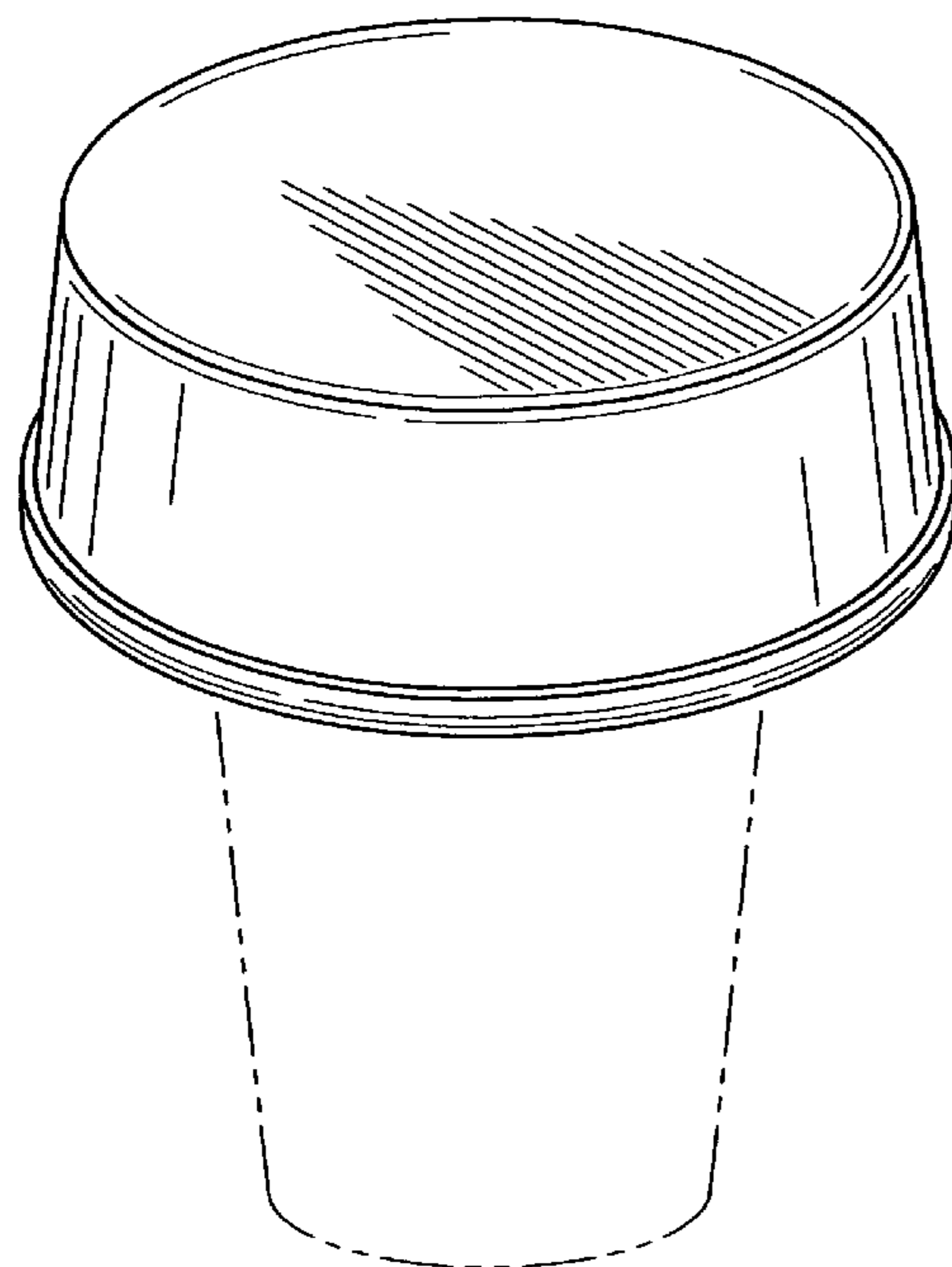
FIG. 4 is a bottom plan view thereof;

FIG. 5 is a perspective view exposing the underside of the two-part design; and,

FIG. 6 is an exploded view thereof, showing the item in an opened condition of use.

The broken lines represent unclaimed environmental elements.

1 Claim, 3 Drawing Sheets



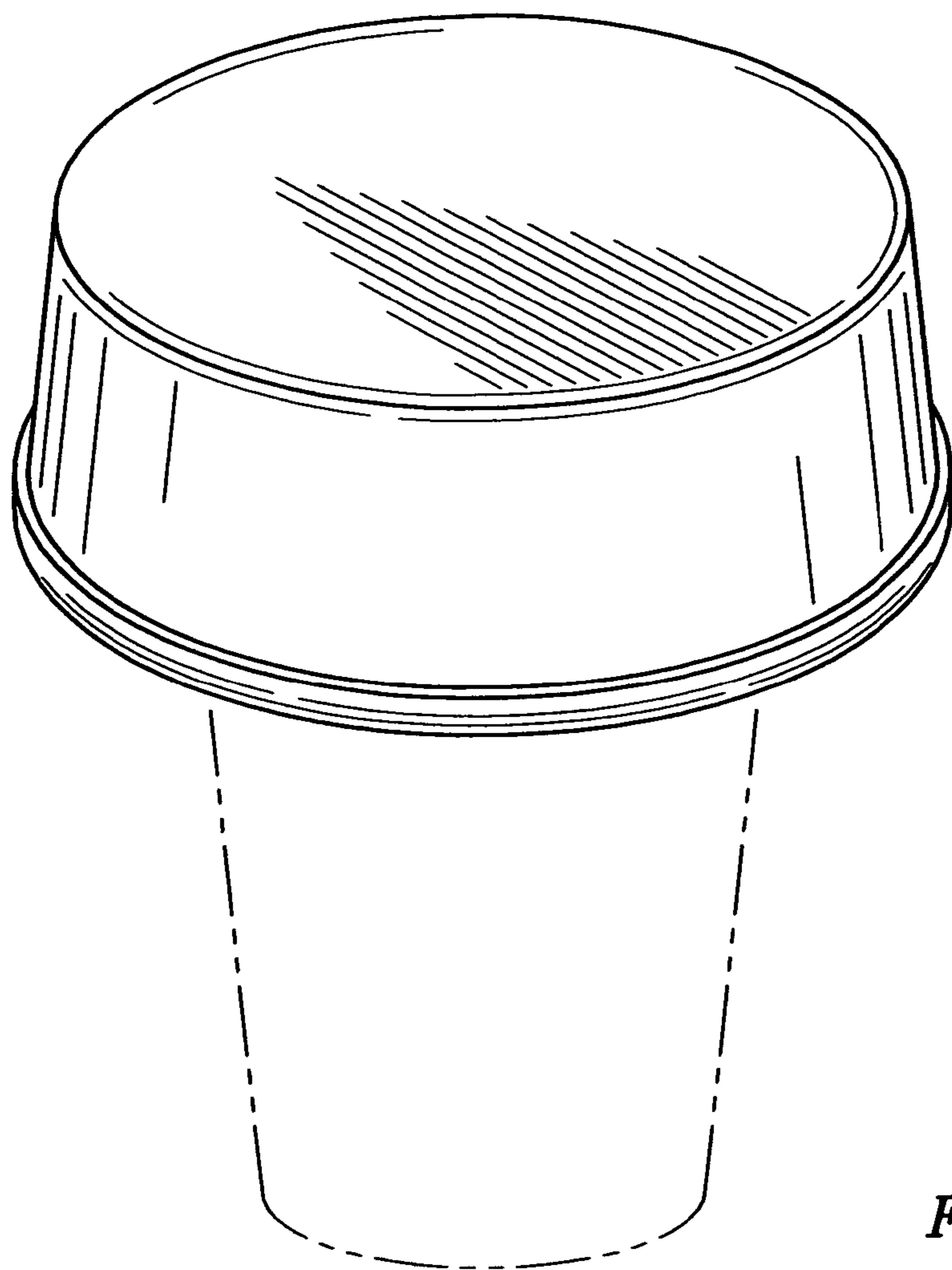


FIG. 1

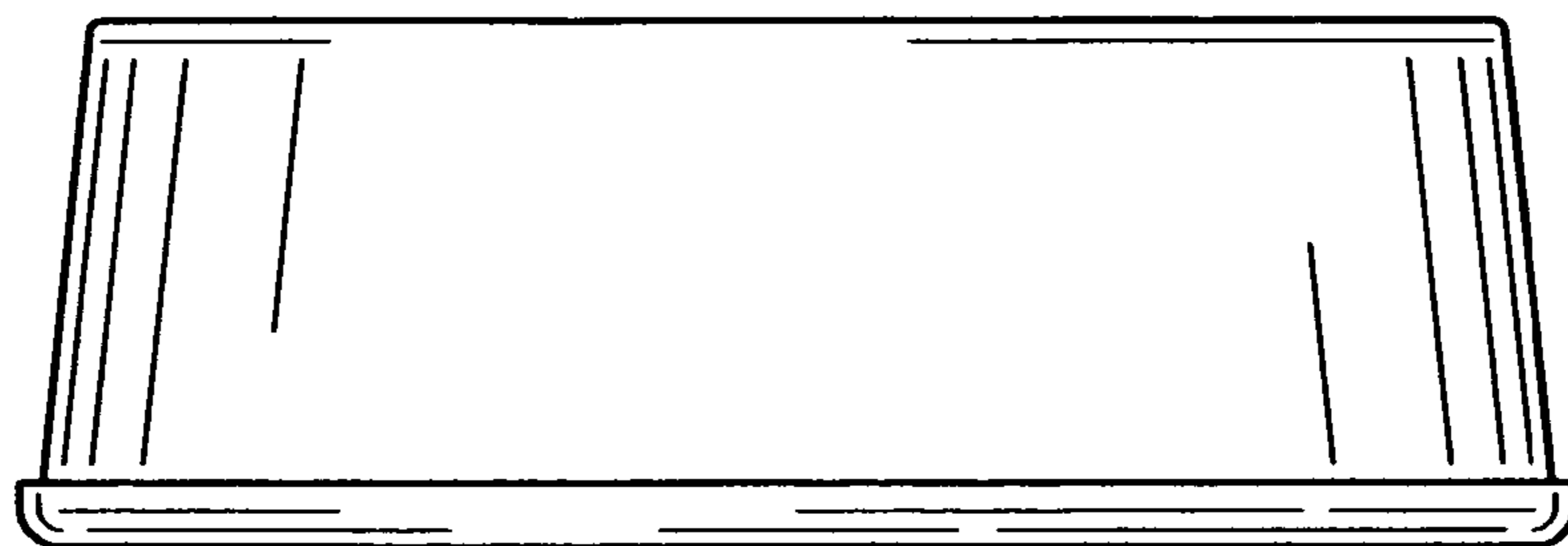


FIG. 2

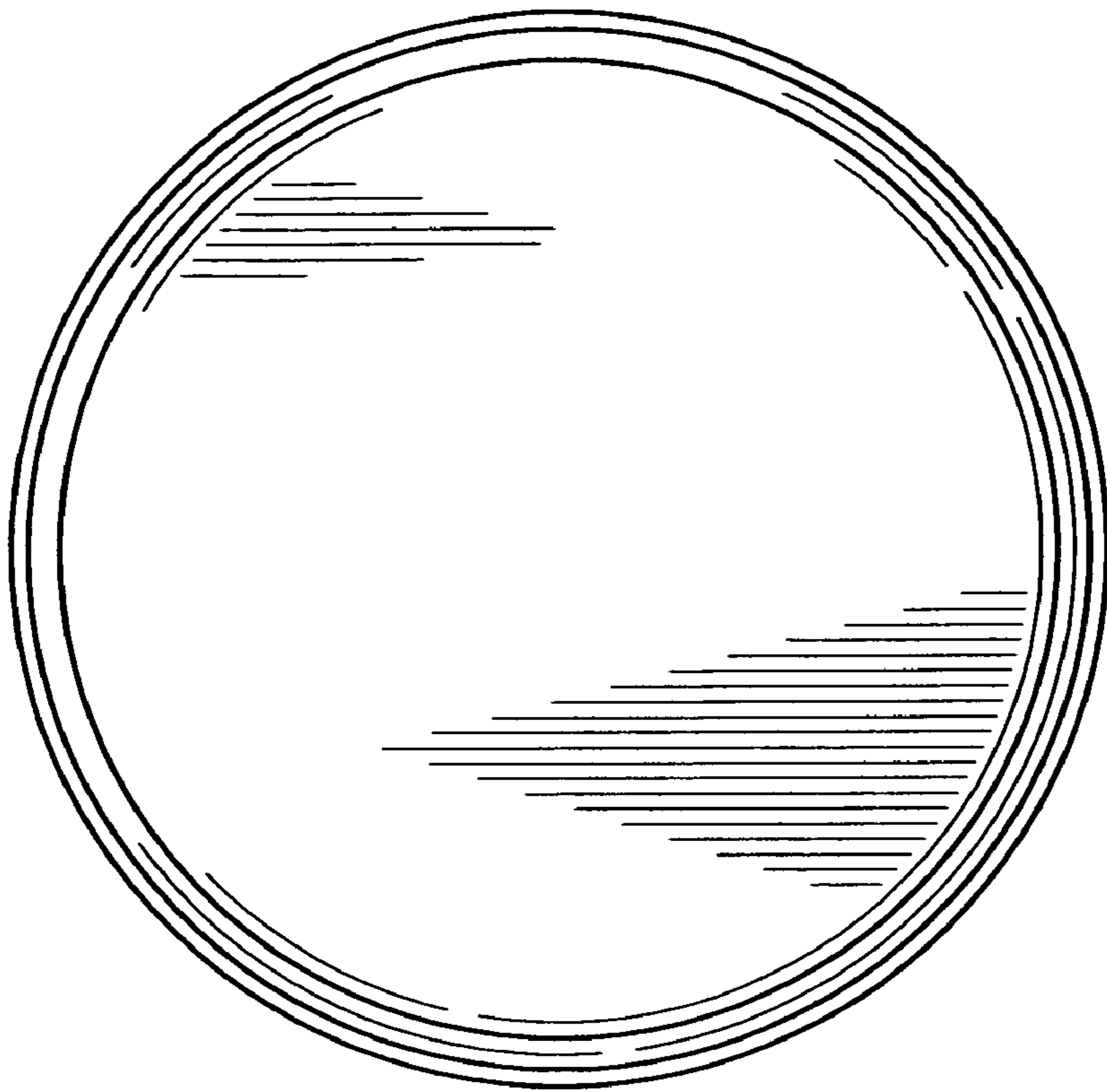


FIG. 3

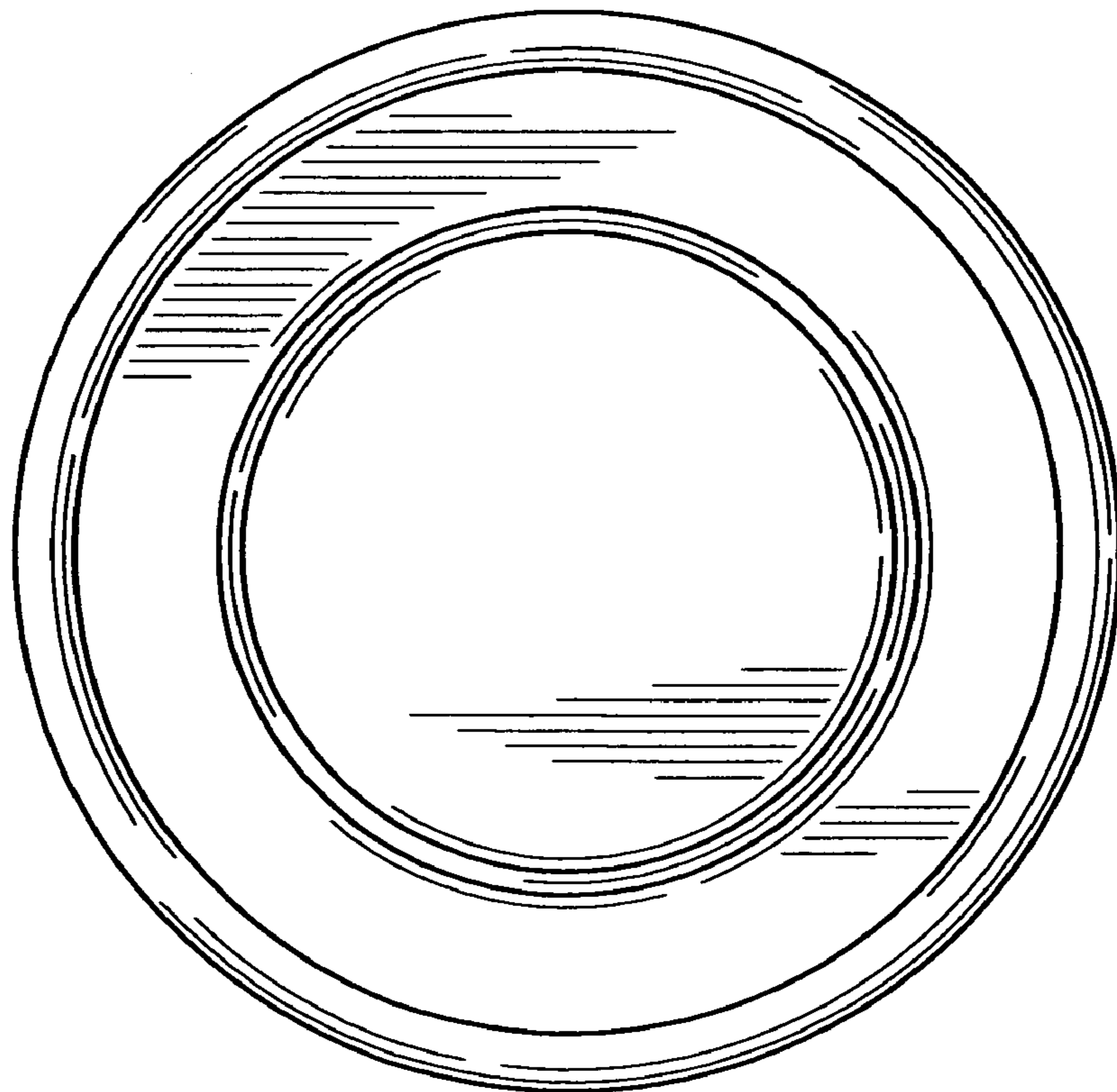


FIG. 4

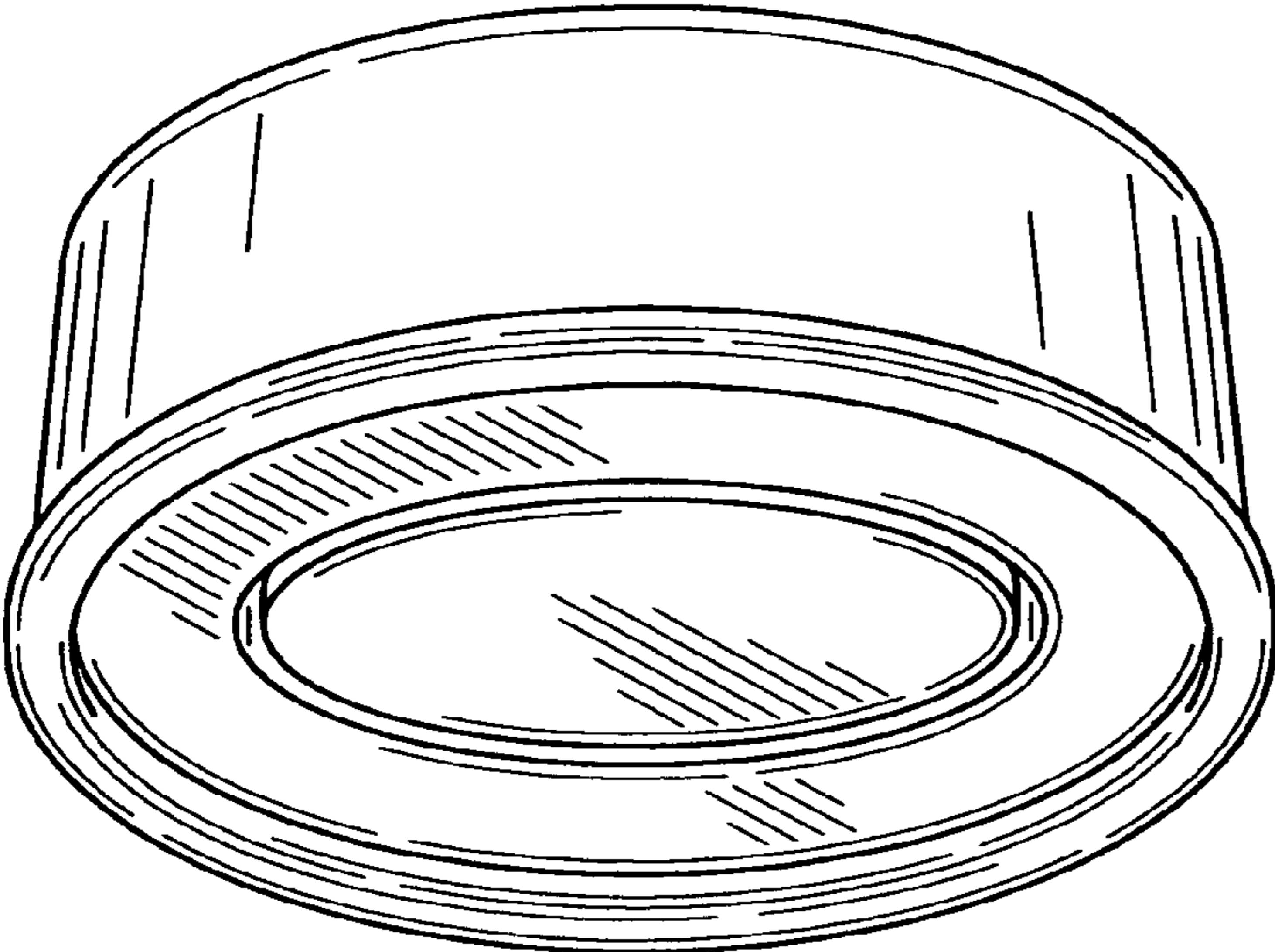


FIG. 5

FIG. 6

