



US00D618494S

(12) **United States Design Patent**
Welk et al.

(10) **Patent No.:** **US D618,494 S**
(45) **Date of Patent:** **** Jun. 29, 2010**

(54) **COOKING VESSEL**

(75) Inventors: **Michael Welk**, Vernon Hills, IL (US);
Tara Marie Marchionna, New York,
NY (US); **Paul Katz**, New York, NY
(US); **Kirsten Jane Climer**, New York,
NY (US); **Diana Beatriz Sierra**, North
Bergen, NJ (US); **Bikramjeet Sohi**,
Buffalo Grove, IL (US); **John Chap**,
Woodridge, IL (US); **Davin Stowell**,
New York, NY (US)

(73) Assignee: **WKI Holding Company, Inc.**,
Rosemont, IL (US)

(**) Term: **14 Years**

(21) Appl. No.: **29/345,756**

(22) Filed: **Oct. 22, 2009**

(51) **LOC (9) Cl.** **07-02**

(52) **U.S. Cl.** **D7/361; D7/354**

(58) **Field of Classification Search** D7/323,
D7/330-331, 339, 347, 350-367, 378-379,
D7/383-384, 391-395, 538-545; 99/324-325,
99/329 R, 330-339, 400, 412-413, 425, 448,
99/451; 219/432-433, 438-441, 620-622,
219/725-730; 220/203.1, 203.07, 203.09,
220/298, 303, 316, 356.1, 366.1, 573.1-574,
220/755, 769-771, 912; 426/438, 441

See application file for complete search history.

(56) **References Cited**

U.S. PATENT DOCUMENTS

216,346 A * 6/1879 Read 220/771

1,970,723 A * 8/1934 Wolfe 220/573.2
2,867,352 A * 1/1959 Kawano 220/366.1
D236,415 S * 8/1975 Cyren D7/361
5,121,848 A * 6/1992 Waligorski 220/755
D373,286 S * 9/1996 Antonio D7/361
D455,315 S * 4/2002 Cheng D7/354
6,419,107 B1 * 7/2002 Cheng 220/573.1
D579,715 S * 11/2008 Pawson et al. D7/361
D598,702 S * 8/2009 Hoekstra D7/361
D600,497 S * 9/2009 Ek D7/361

* cited by examiner

Primary Examiner—Caron Veynar

Assistant Examiner—Ricky Pham

(74) *Attorney, Agent, or Firm*—McDermott Will & Emery
LLP

(57) **CLAIM**

We claim the ornamental design for a cooking vessel, as
shown and described.

DESCRIPTION

FIG. 1 is a perspective view of a cooking vessel according to
the new design;

FIG. 2 is a top view of the cooking vessel shown in FIG. 1;

FIG. 3 is a bottom view of the cooking vessel shown in FIG.
1;

FIG. 4 is a front view of the cooking vessel shown in FIG. 1;

FIG. 5 is a rear view of the cooking vessel shown in FIG. 1;

FIG. 6 is a left side elevation view of the cooking vessel
shown in FIG. 1; and,

FIG. 7 is a right side elevation view of the cooking vessel
shown in FIG. 1.

1 Claim, 3 Drawing Sheets

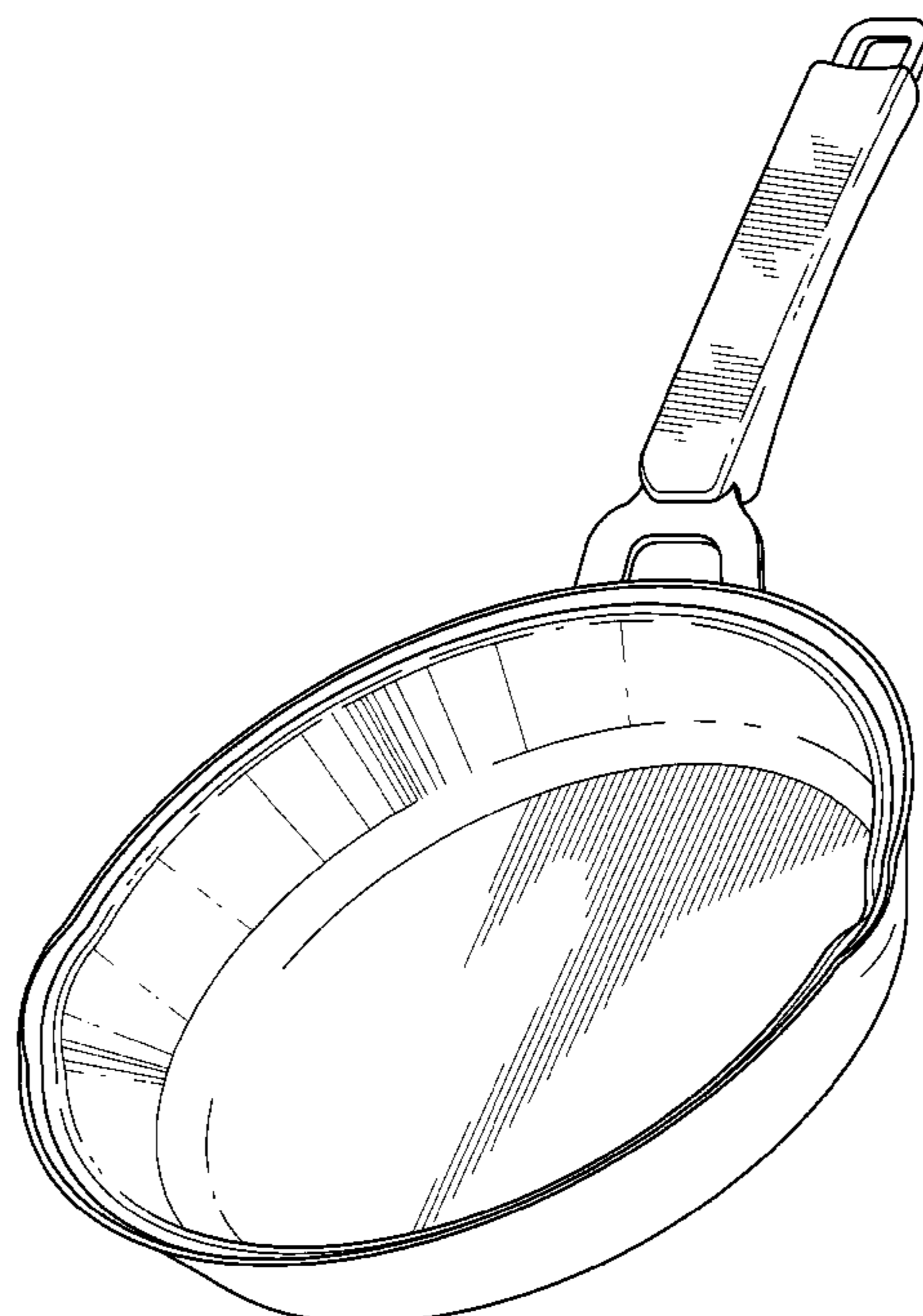


FIG. 1

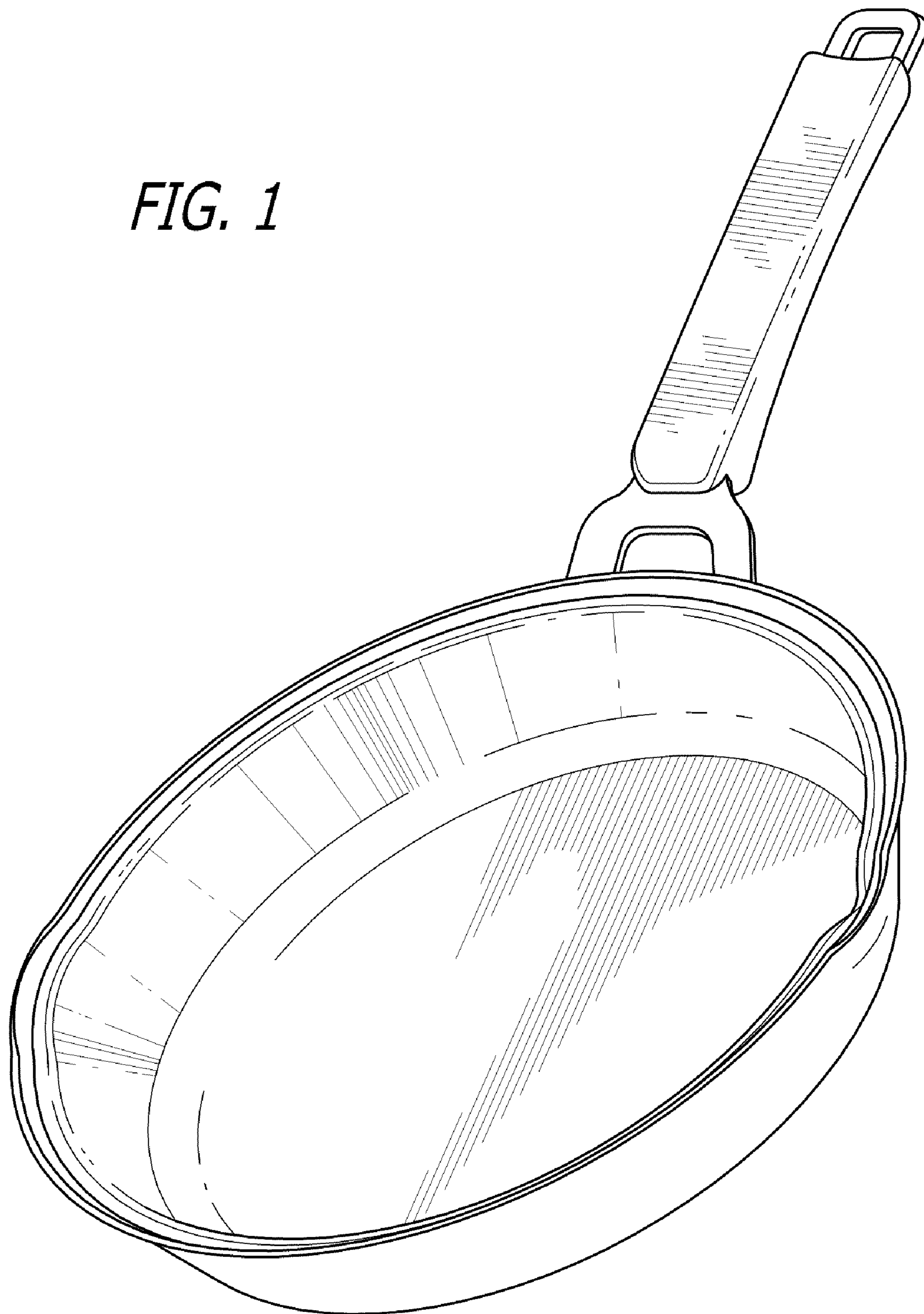


FIG. 2

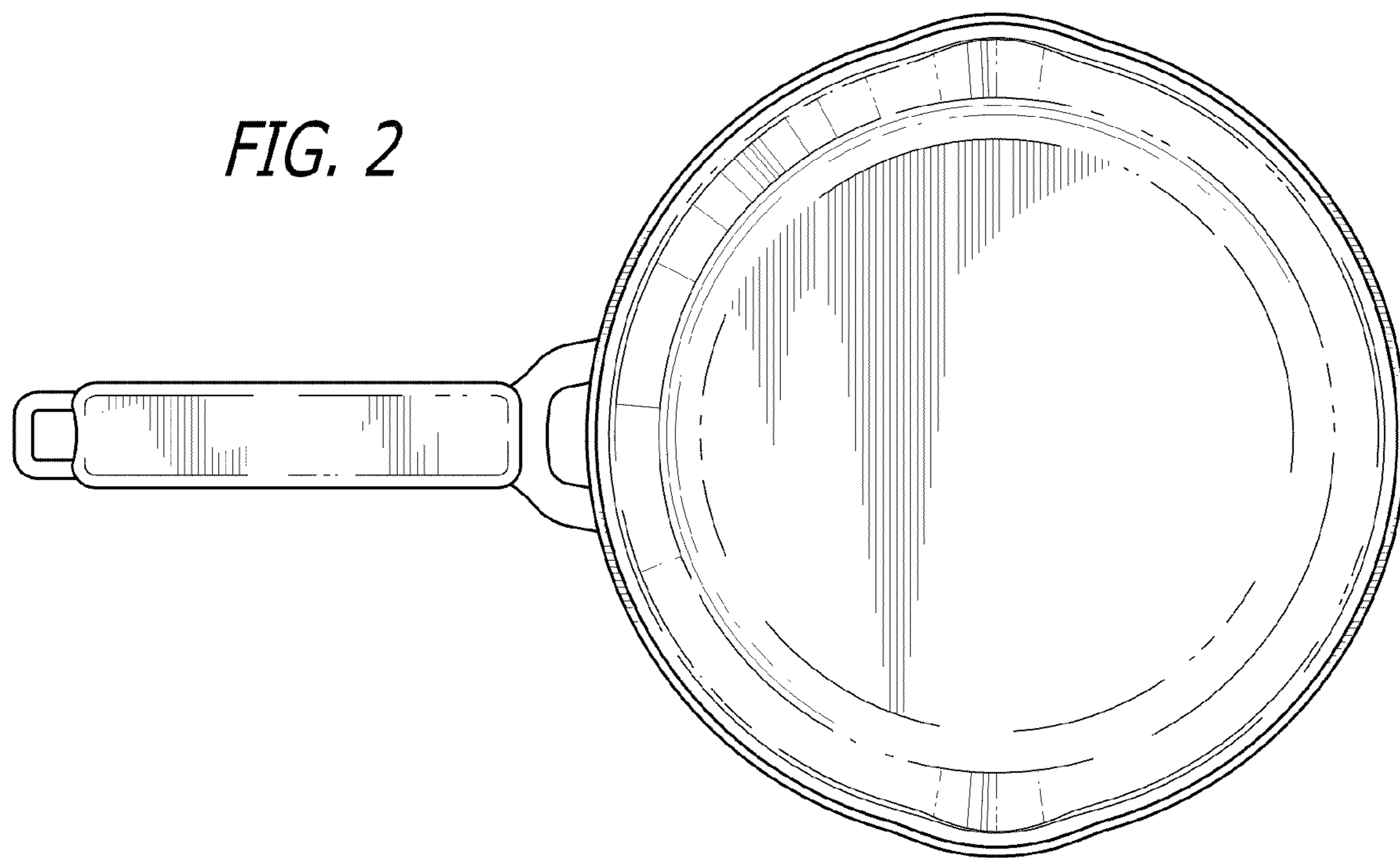


FIG. 3

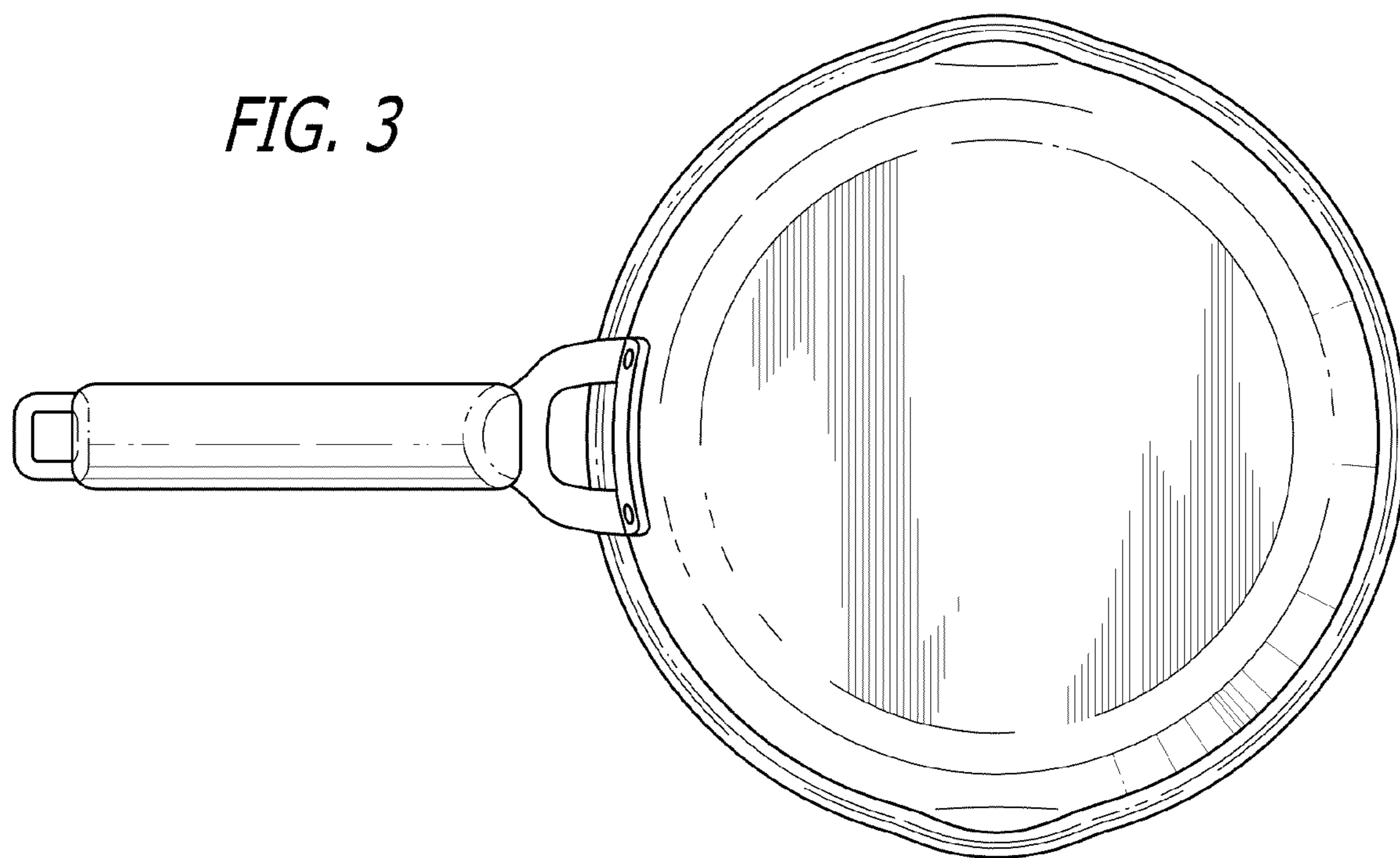


FIG. 4

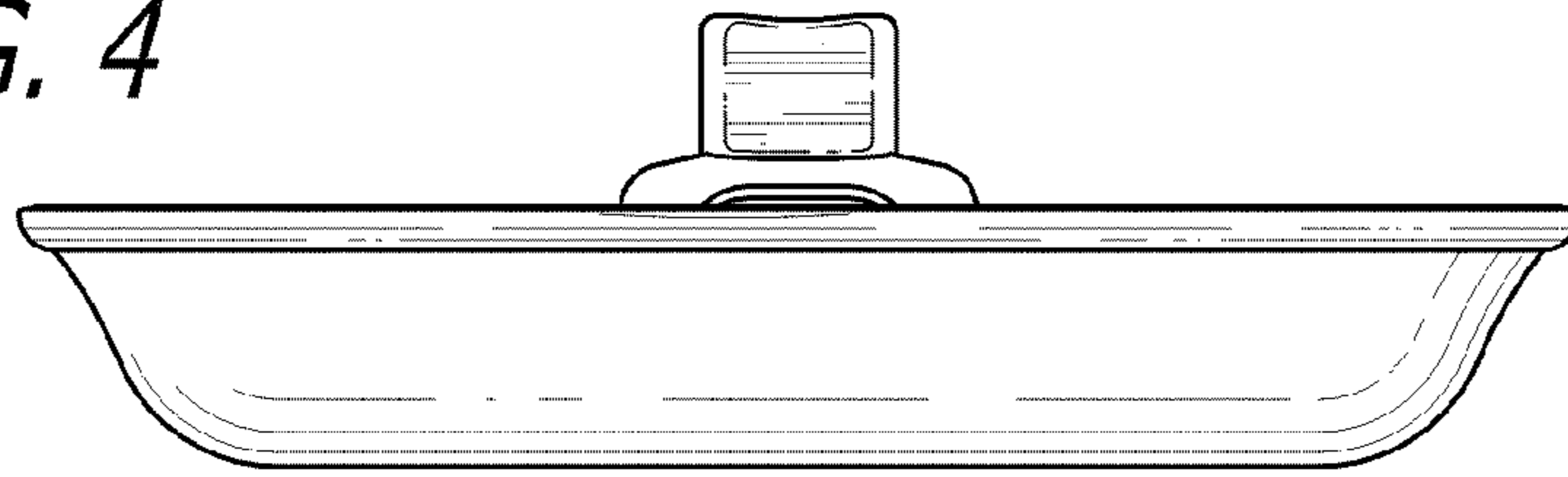


FIG. 5

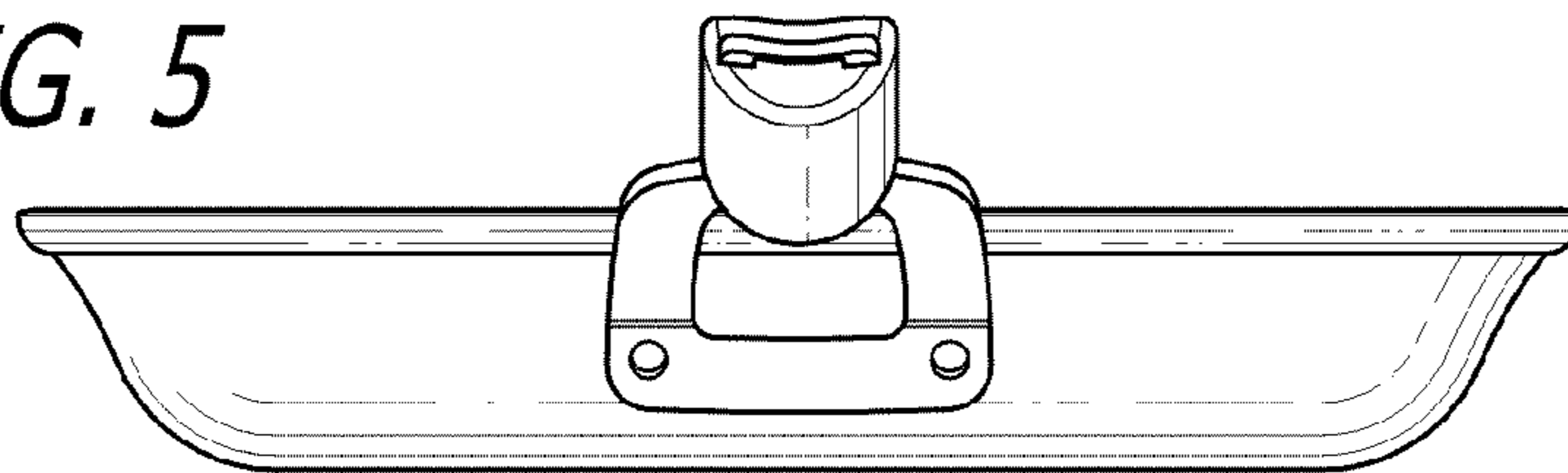


FIG. 6

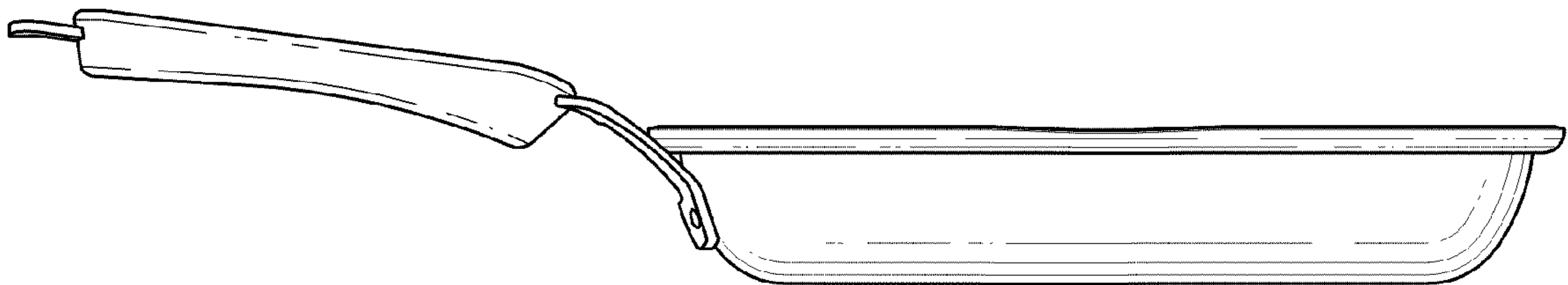


FIG. 7

