



US00D618491S

(12) **United States Design Patent**  
**Welk et al.**

(10) **Patent No.:** **US D618,491 S**  
(45) **Date of Patent:** **\*\* Jun. 29, 2010**

(54) **COOKING VESSEL**

(75) Inventors: **Michael Welk**, Vernon Hills, IL (US);  
**Tara Marie Marchionna**, New York,  
NY (US); **Paul Katz**, New York, NY  
(US); **Kirsten Jane Climer**, New York,  
NY (US); **Diana Beatriz Sierra**, North  
Bergen, NJ (US); **Bikramjeet Sohi**,  
Bufallo Grove, IL (US); **John Chap**,  
Woodridge, IL (US); **Davin Stowell**,  
New York, NY (US)

(73) Assignee: **WKI Holding Company, Inc.**,  
Rosemont, IL (US)

(\*\*) Term: **14 Years**

(21) Appl. No.: **29/345,758**

(22) Filed: **Oct. 22, 2009**

(51) **LOC (9) Cl.** ..... **07-02**

(52) **U.S. Cl.** ..... **D7/360; D7/354**

(58) **Field of Classification Search** ..... D7/323,  
D7/330-331, 339, 347, 350-367, 378-379,  
D7/383-387, 391-395, 538-545, 667; 99/324-325,  
99/329 R, 330-339, 400-403, 412-413, 425,  
99/448, 451; 219/432-433, 438-441, 620-622,  
219/725-730; 220/203.1, 203.07, 203.09,  
220/298, 303, 316, 356.1, 366.1, 573.1-574,  
220/755, 769-771, 912; 222/572

See application file for complete search history.

(56) **References Cited**

U.S. PATENT DOCUMENTS

5,287,798 A \* 2/1994 Takeda ..... 99/413  
D358,062 S \* 5/1995 Hasuike ..... D7/360  
D395,787 S \* 7/1998 Wilks ..... D7/357  
D420,848 S \* 2/2000 Neidigh ..... D7/360  
D449,204 S \* 10/2001 Groll ..... D7/354

D472,759 S \* 4/2003 Teisen-Simony et al. .... D7/360  
D474,936 S \* 5/2003 Groll ..... D7/354  
D534,031 S \* 12/2006 Roussard ..... D7/358  
D562,621 S \* 2/2008 Kloppsteck ..... D7/360  
D580,213 S \* 11/2008 Pawson et al. .... D7/360  
D599,164 S \* 9/2009 Hoekstra ..... D7/360  
D603,212 S \* 11/2009 Ek ..... D7/354  
D603,213 S \* 11/2009 Ek ..... D7/360

\* cited by examiner

*Primary Examiner*—Caron Veynar

*Assistant Examiner*—Ricky Pham

(74) *Attorney, Agent, or Firm*—McDermott Will & Emery  
LLP

(57) **CLAIM**

We claim the ornamental design for a cooking vessel, as  
shown and described.

**DESCRIPTION**

FIG. 1 is a perspective view of a cooking vessel according to  
the new design;

FIG. 2 is a front view of a cooking vessel of the cooking vessel  
shown in FIG. 1;

FIG. 3 is a rear view of a cooking vessel of the cooking vessel  
shown in FIG. 1;

FIG. 4 is a top view of a cooking vessel of the cooking vessel  
shown in FIG. 1;

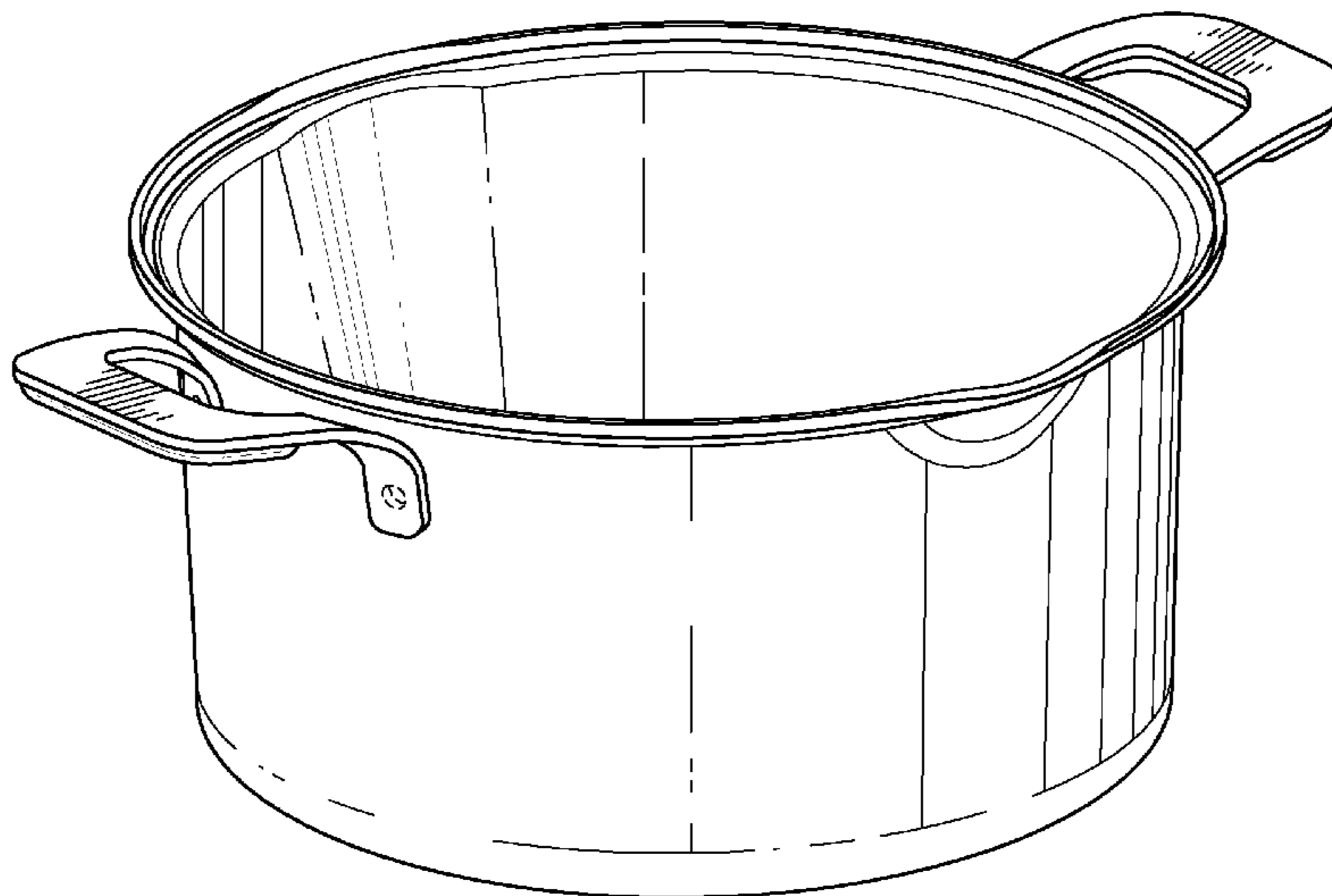
FIG. 5 is a bottom view of the cooking vessel of the cooking  
vessel shown in FIG. 1;

FIG. 6 is a left side elevation view of the cooking vessel  
shown in FIG. 1; and,

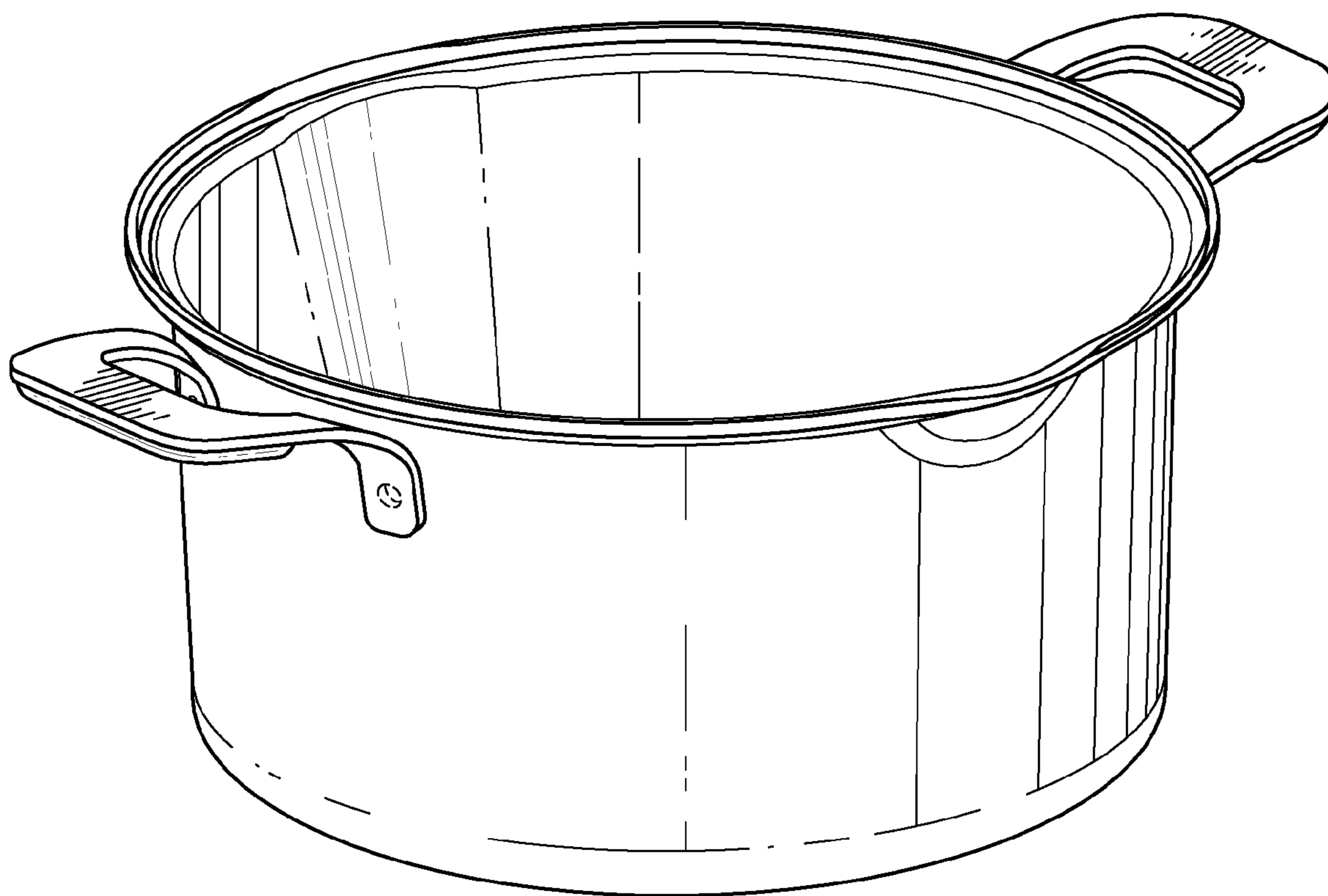
FIG. 7 is a right side elevation view of the cooking vessel  
shown in FIG. 1.

Features shown in broken lines form no part of the claimed  
design.

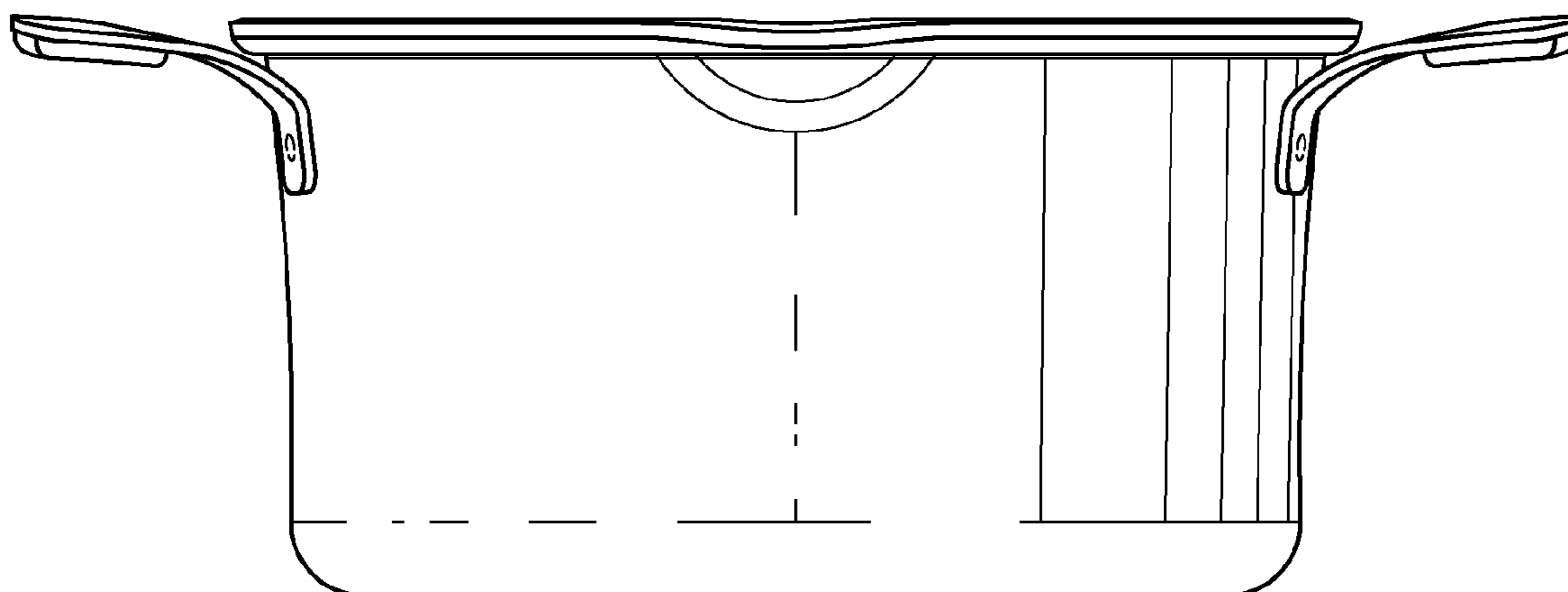
**1 Claim, 4 Drawing Sheets**



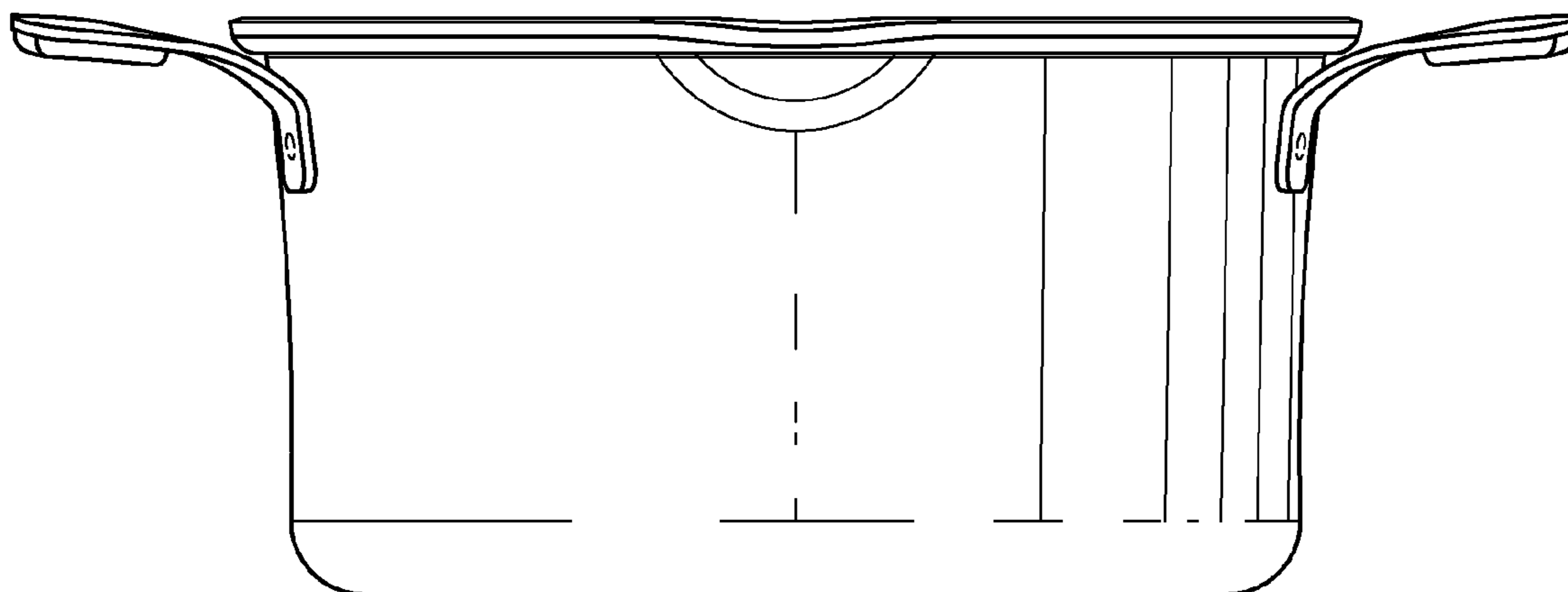
*FIG. 1*



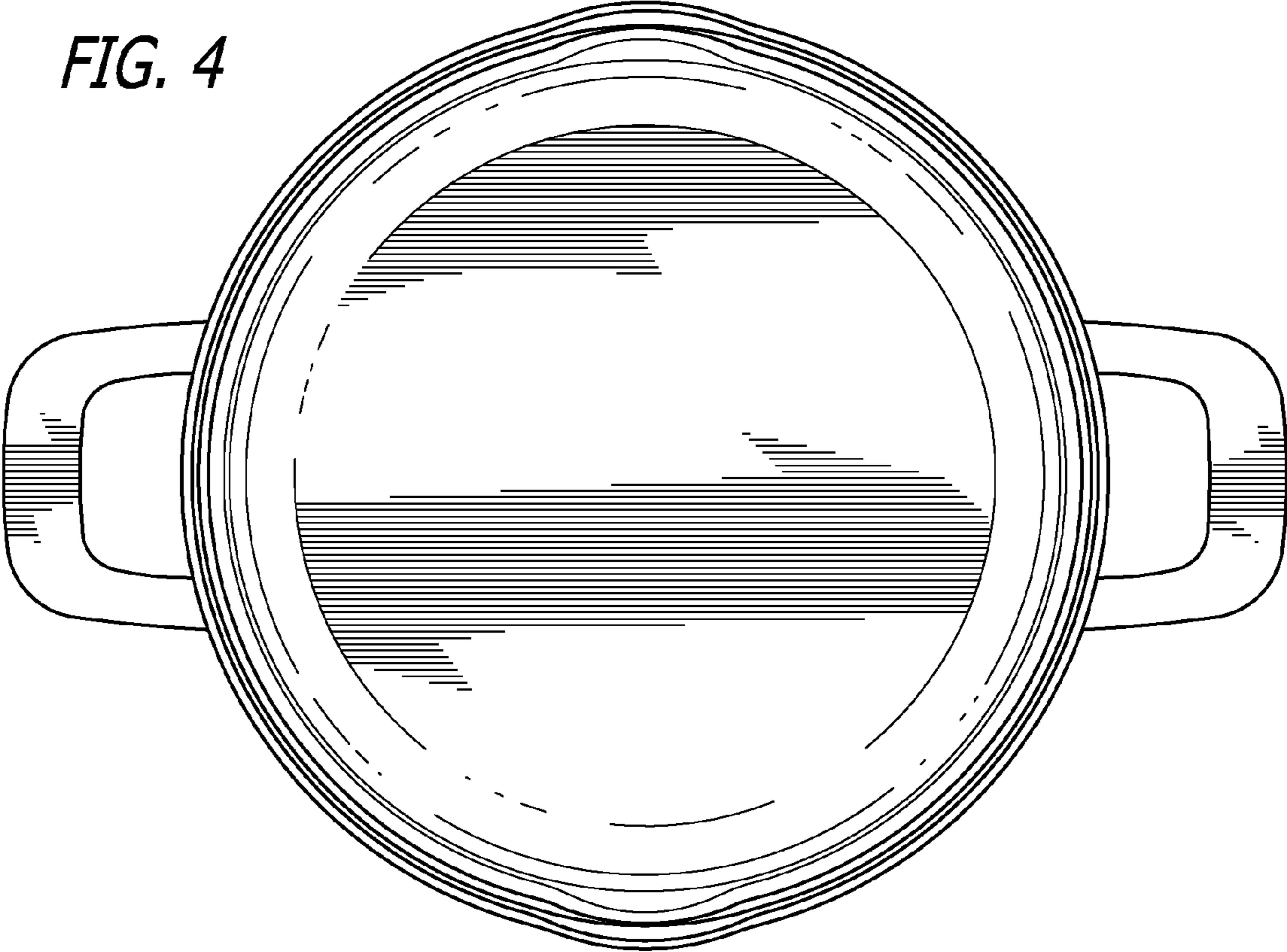
*FIG. 2*



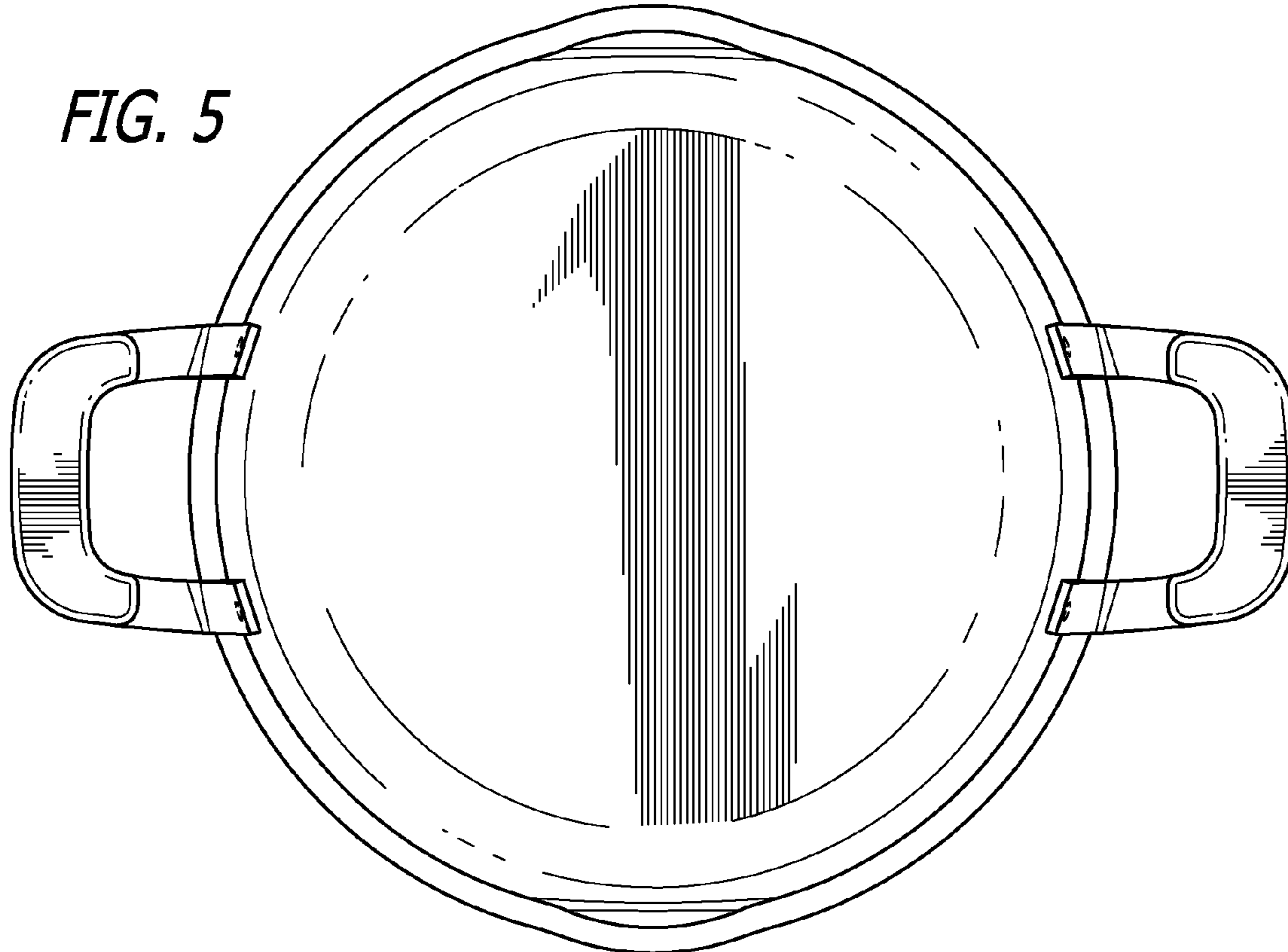
*FIG. 3*



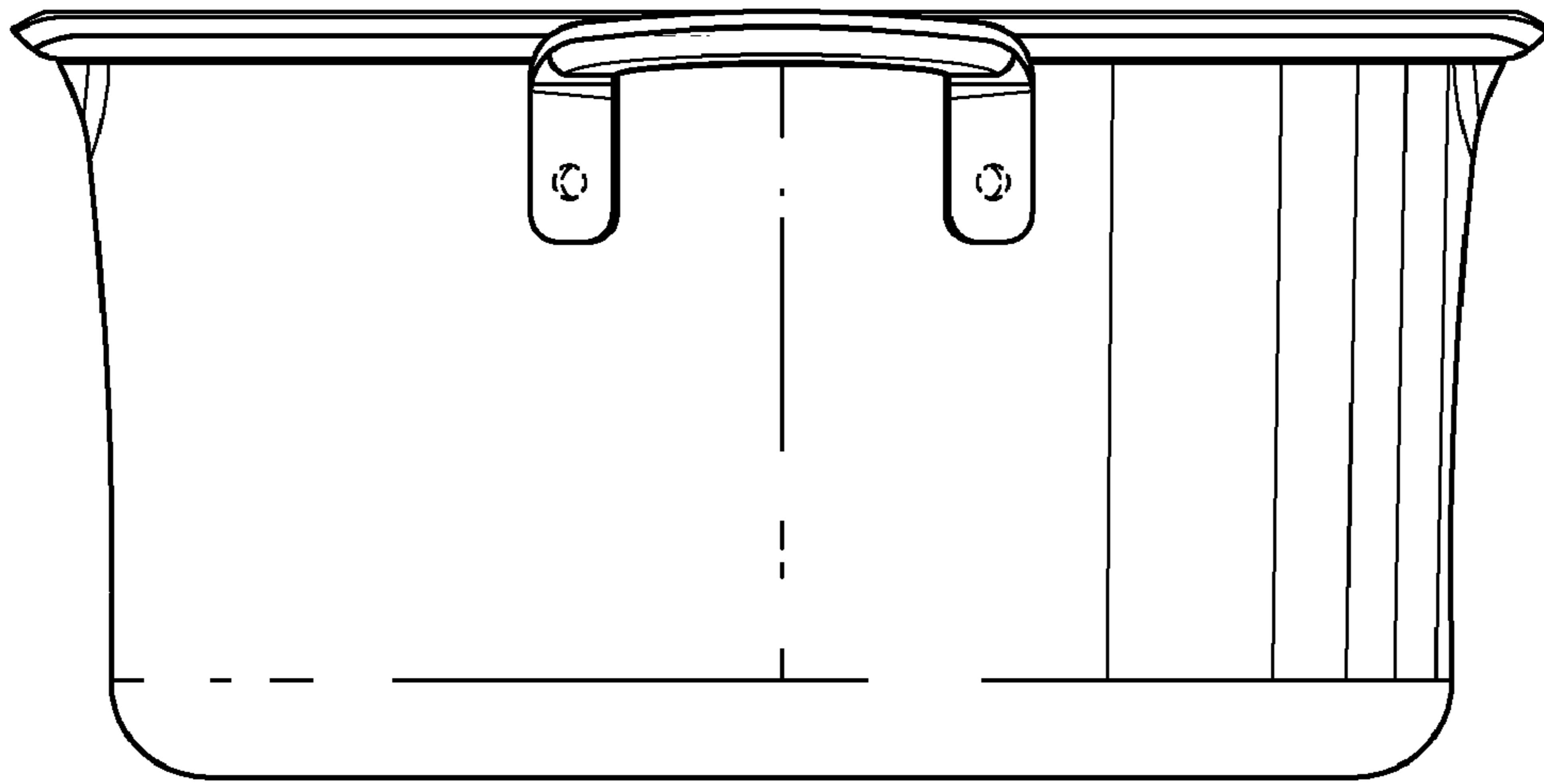
*FIG. 4*



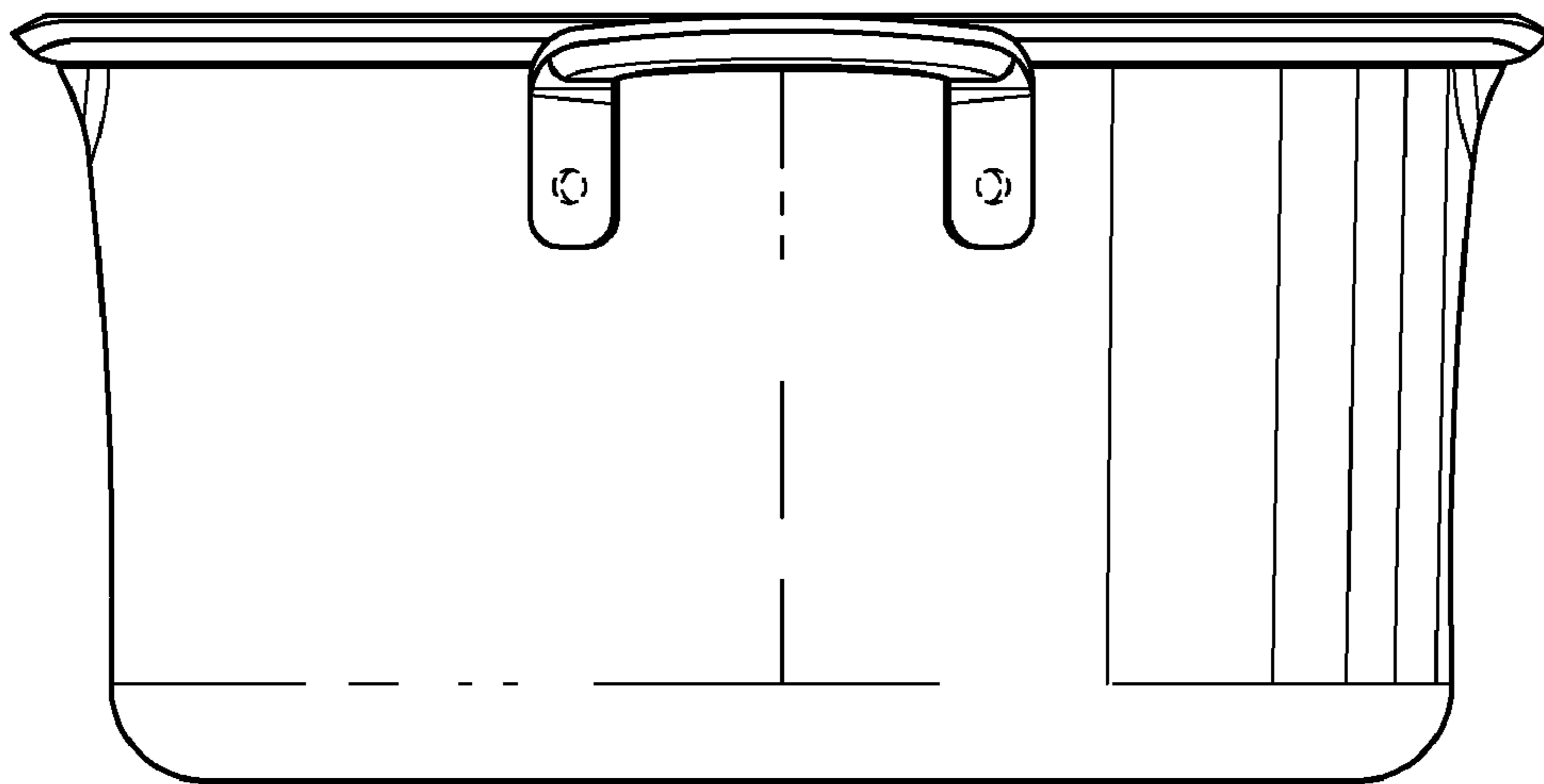
*FIG. 5*



*FIG. 6*



*FIG. 7*



UNITED STATES PATENT AND TRADEMARK OFFICE  
**CERTIFICATE OF CORRECTION**

PATENT NO. : Des. 618,491 S  
APPLICATION NO. : 29/345758  
DATED : June 29, 2010  
INVENTOR(S) : Welk et al.

Page 1 of 1

It is certified that error appears in the above-identified patent and that said Letters Patent is hereby corrected as shown below:

IN THE DESCRIPTION:

Replace the description of FIGS. 2-5 with the following:

FIG. 2 is a front view of the cooking vessel shown in FIG. 1;

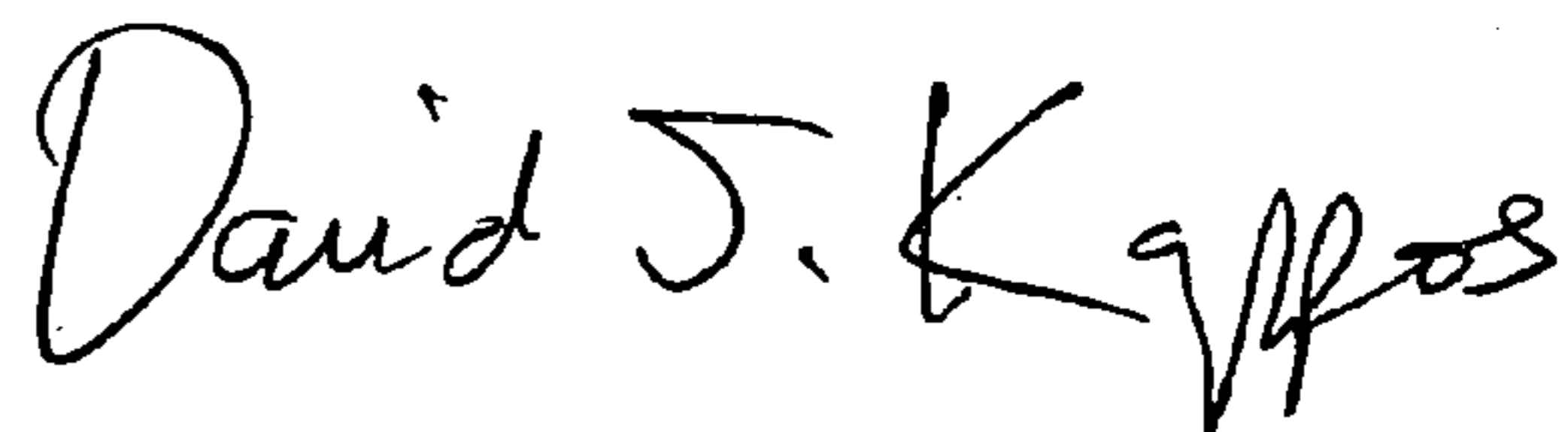
FIG. 3 is a rear view of the cooking vessel shown in FIG. 1;

FIG. 4 is a top view of the cooking vessel shown in FIG. 1;

FIG. 5 is a bottom view of the cooking vessel shown in FIG. 1;

Signed and Sealed this

Twenty-eighth Day of September, 2010



David J. Kappos  
*Director of the United States Patent and Trademark Office*