



US00D618490S

(12) **United States Design Patent**
Li

(10) **Patent No.:** **US D618,490 S**

(45) **Date of Patent:** **** Jun. 29, 2010**

(54) **COOKING CONTAINER**

(76) Inventor: **Yangde Li**, Yinquan Industrial Zone,
Qingxi Town, Dongguan (CN) 523662

(**) Term: **14 Years**

(21) Appl. No.: **29/352,376**

(22) Filed: **Dec. 20, 2009**

(51) **LOC (9) Cl.** **07-02**

(52) **U.S. Cl.** **D7/354**

(58) **Field of Classification Search** D7/323,
D7/330-331, 339, 347, 350-367, 378-379,
D7/383-384, 391-395, 538-545; 99/324-325,
99/329 R, 330-339, 400, 412-413, 425, 448,
99/451; 219/432-433, 438-441, 620-622,
219/725-730; 220/203.1, 203.07, 203.09,
220/298, 303, 316, 356.1, 573.1-574, 769,
220/912

See application file for complete search history.

(56) **References Cited**

U.S. PATENT DOCUMENTS

D15,122 S *	7/1884	Vogt	D7/542
D162,960 S *	4/1951	Johnston	D7/360
D174,605 S *	4/1955	Ziskin	D7/542
D206,452 S *	12/1966	Latham	D7/542
D264,793 S *	6/1982	Blake	D7/539
D286,488 S *	11/1986	Broere	D7/542

5,746,119 A *	5/1998	Matsumoto	99/451
D470,715 S *	2/2003	Kloppsteck	D7/360
D471,757 S *	3/2003	Kitamura et al.	D7/360
D523,687 S *	6/2006	Jian	D7/360
D523,694 S *	6/2006	Czebiniak	D7/542
D535,856 S *	1/2007	Kell	D7/538
D589,295 S *	3/2009	Rohrer	D7/360

* cited by examiner

Primary Examiner—Caron Veynar

Assistant Examiner—Ricky Pham

(74) *Attorney, Agent, or Firm*—Matthias Scholl P.C.;
Matthias Scholl

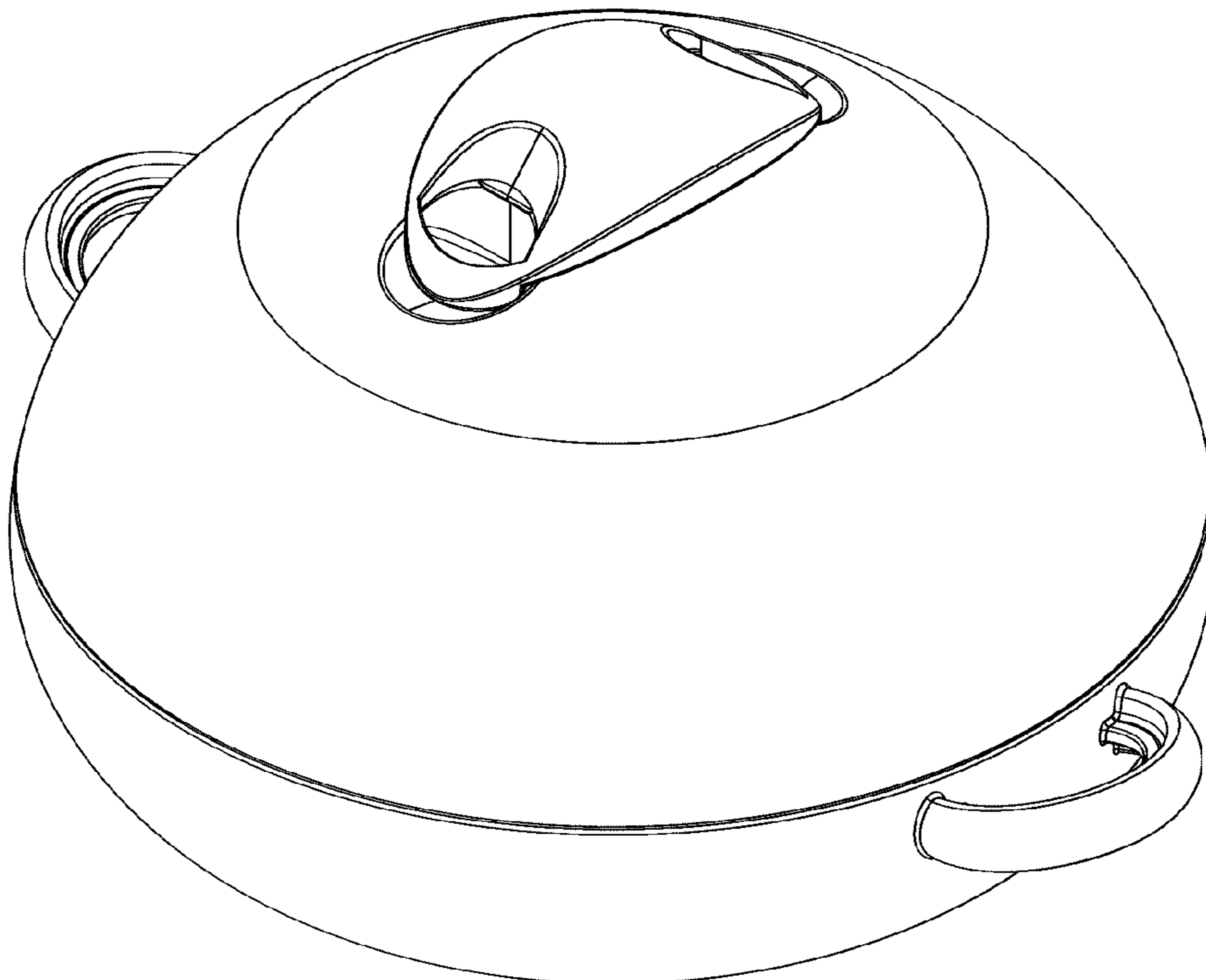
(57) **CLAIM**

The ornamental design for a cooking container, as shown and described.

DESCRIPTION

FIG. 1 is a front elevational view of a cooking container;
FIG. 2 is a left side elevational view thereof;
FIG. 3 is a right side elevational view thereof;
FIG. 4 is a rear elevational view thereof;
FIG. 5 is a top plan view thereof;
FIG. 6 is a bottom view thereof; and,
FIG. 7 is a prospective view thereof.

1 Claim, 7 Drawing Sheets



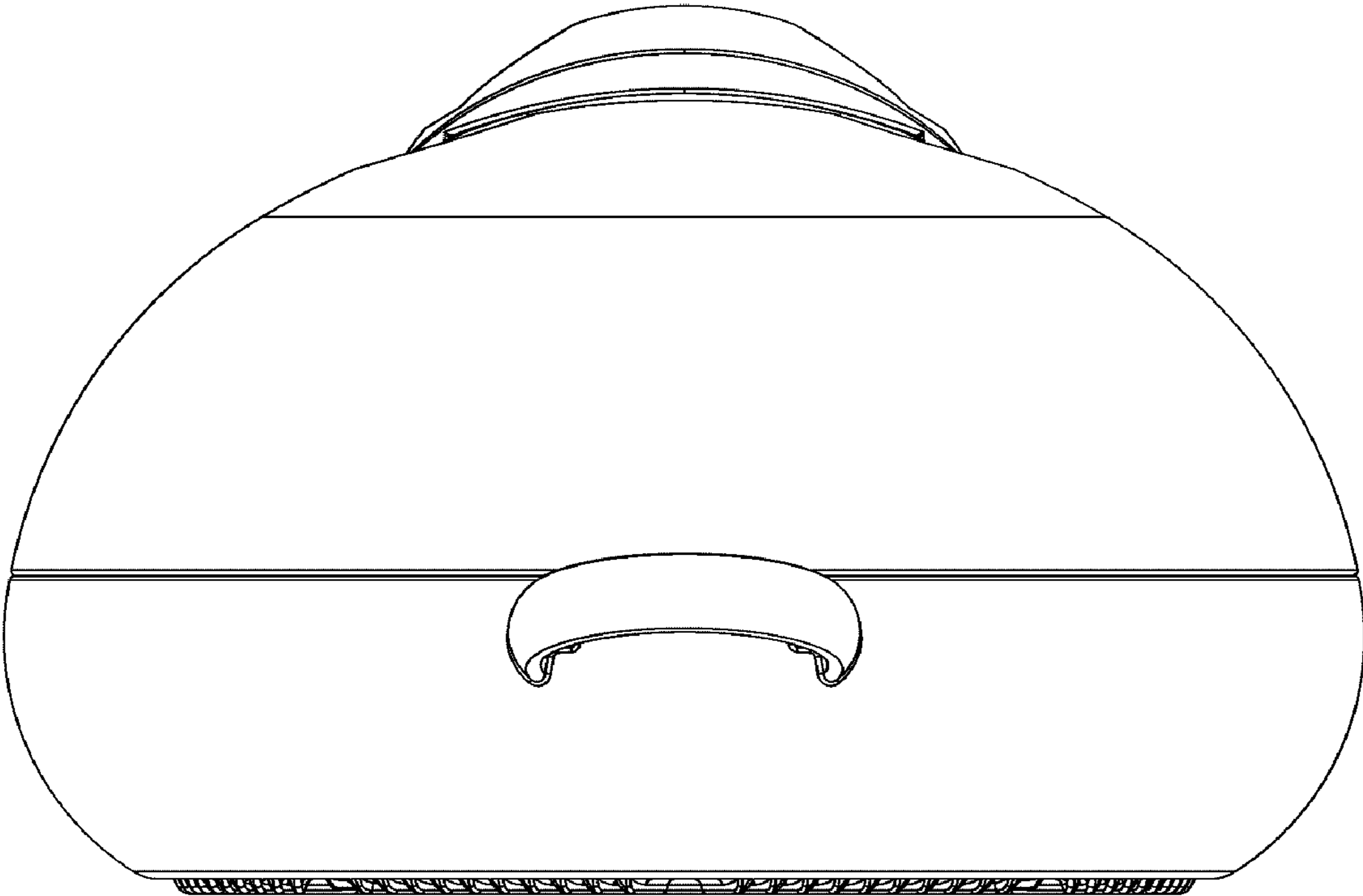


FIG. 1

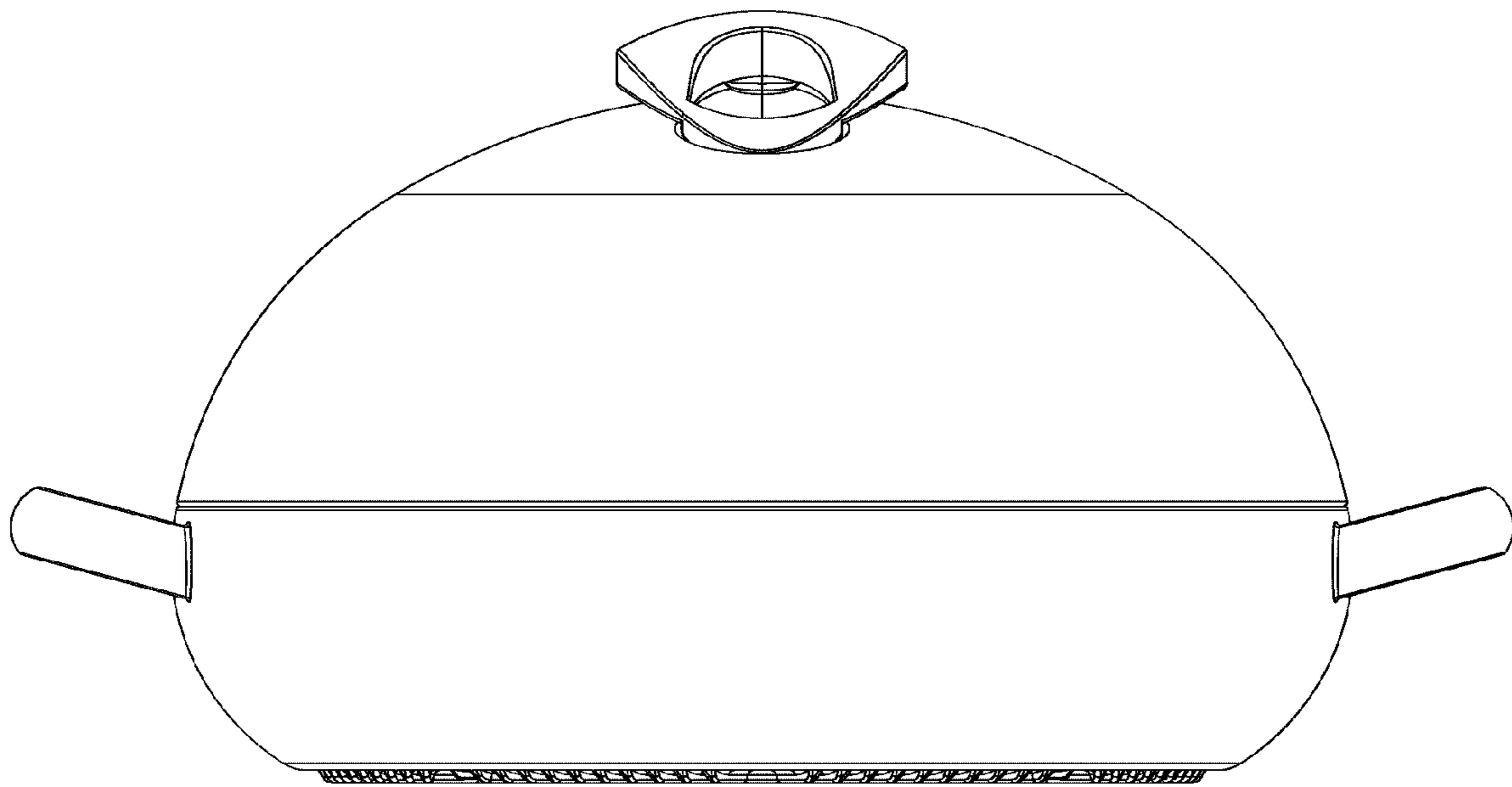


FIG. 2

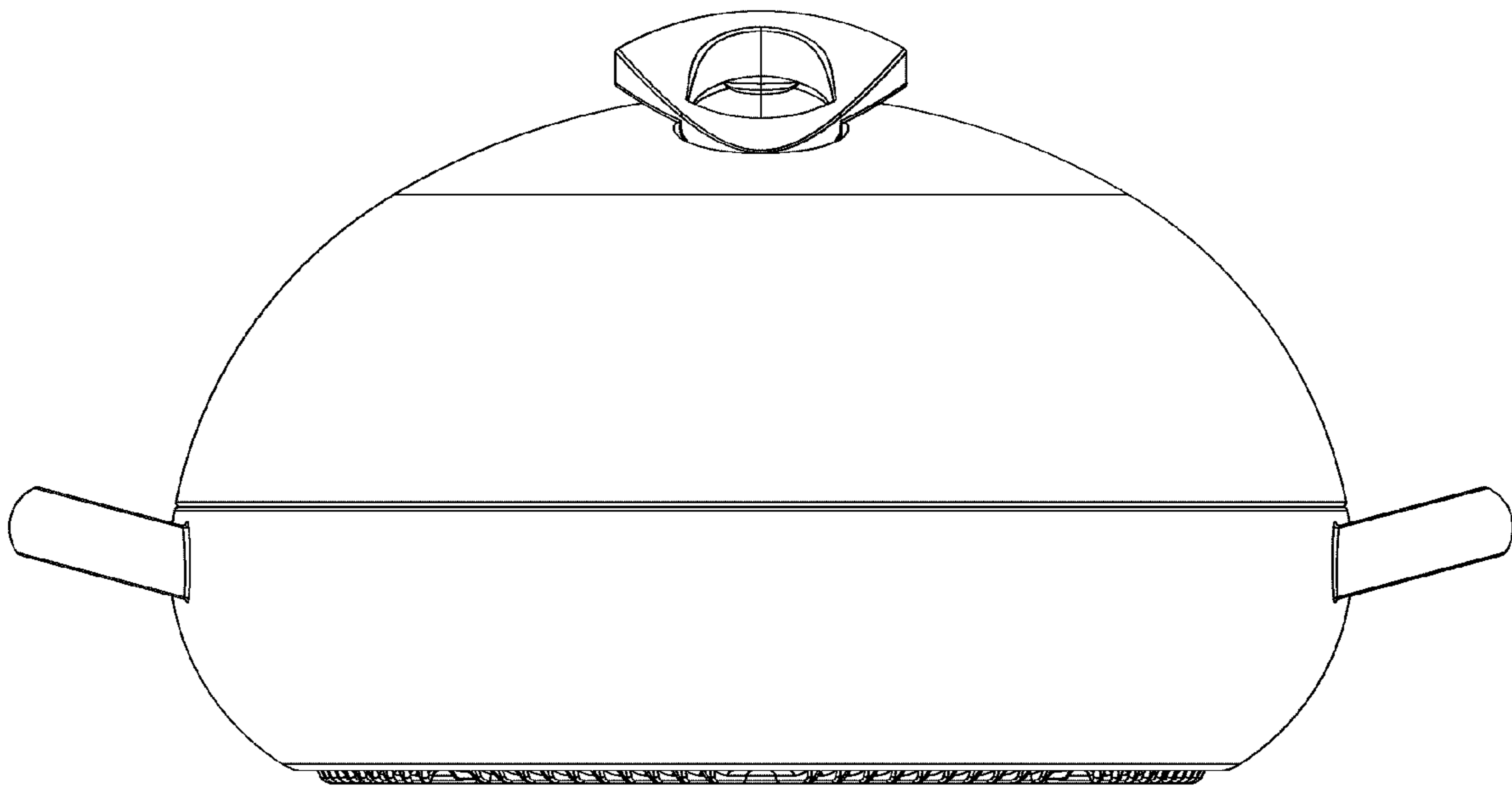


FIG. 3

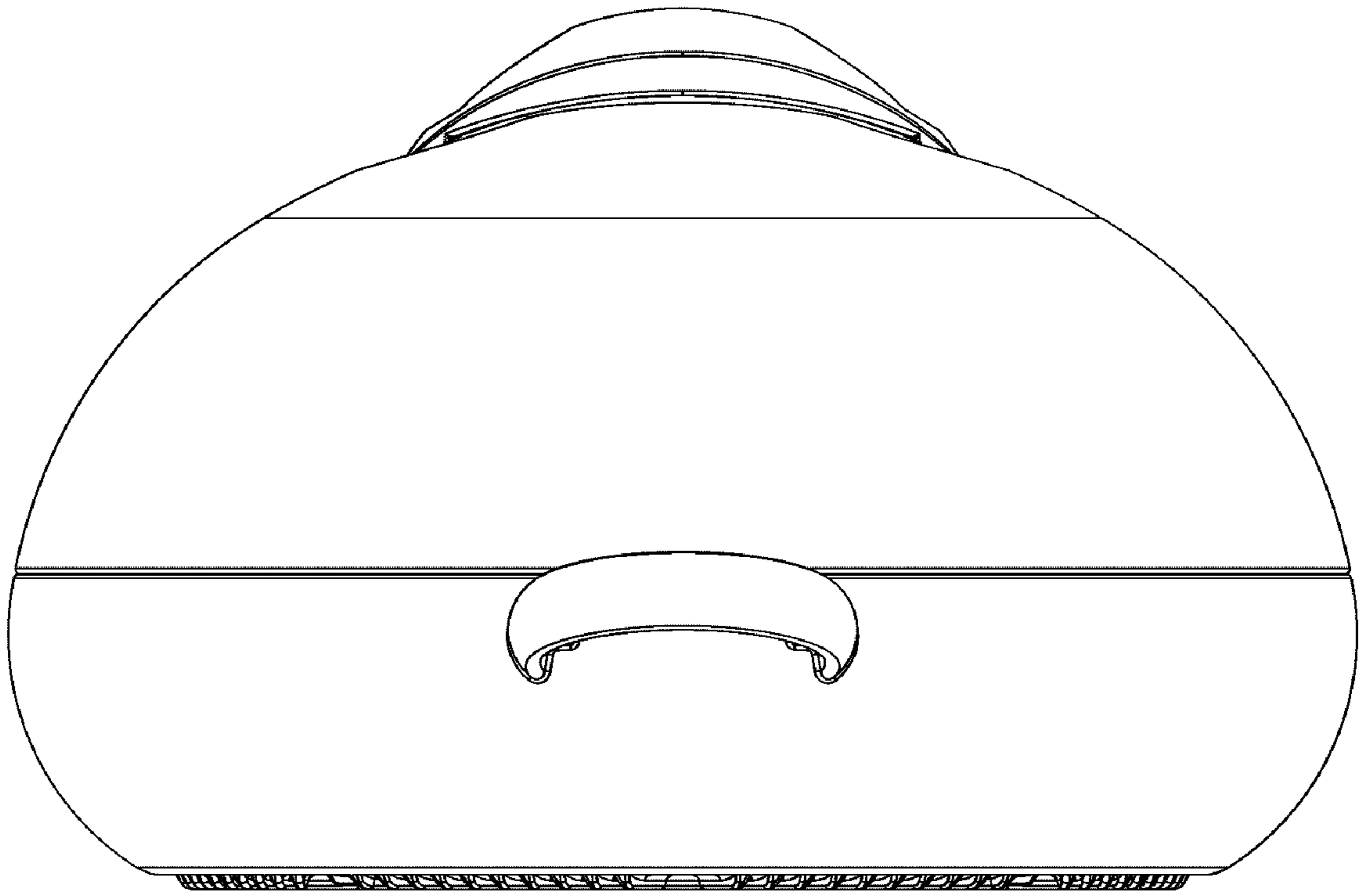


FIG. 4

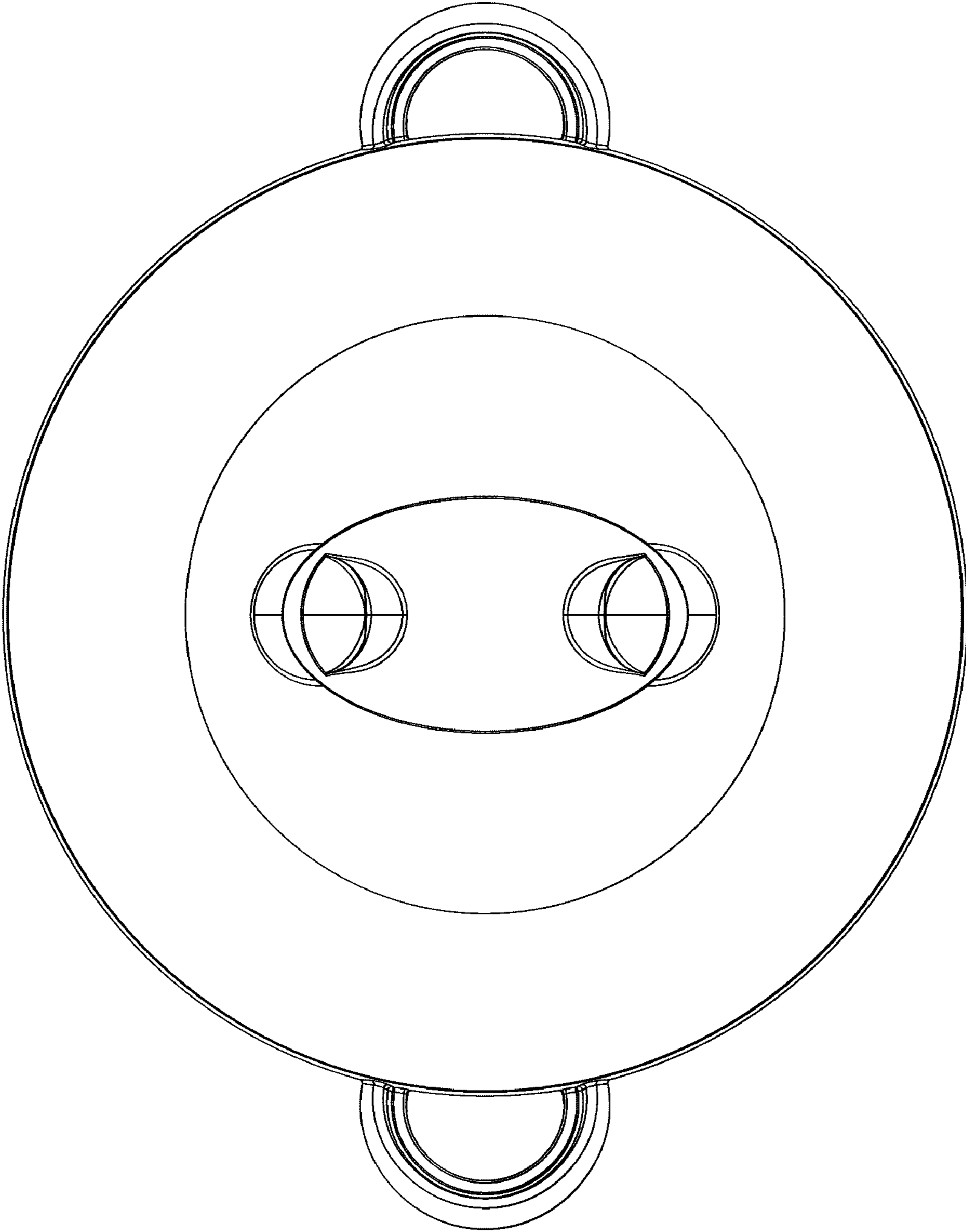


FIG. 5

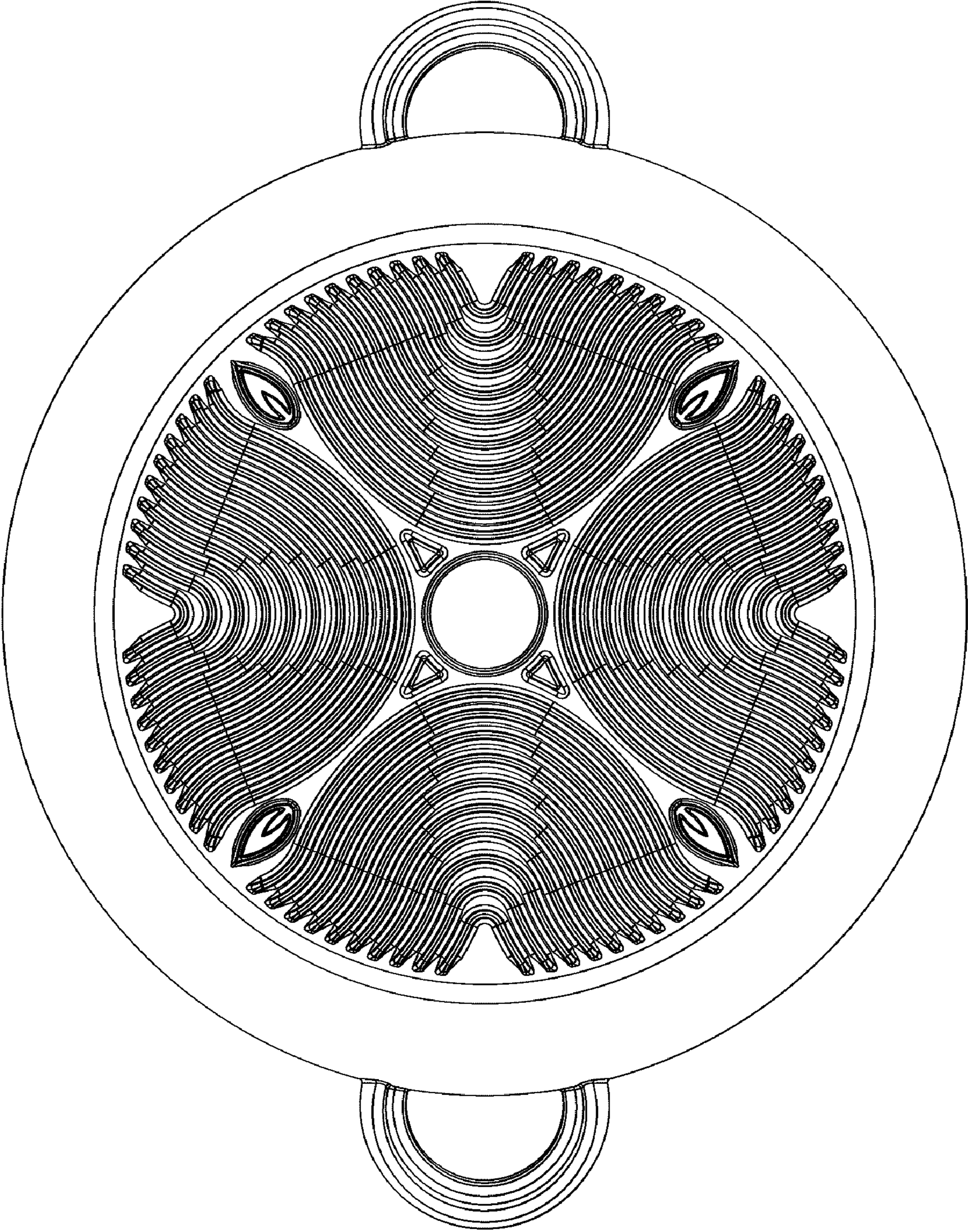


FIG. 6

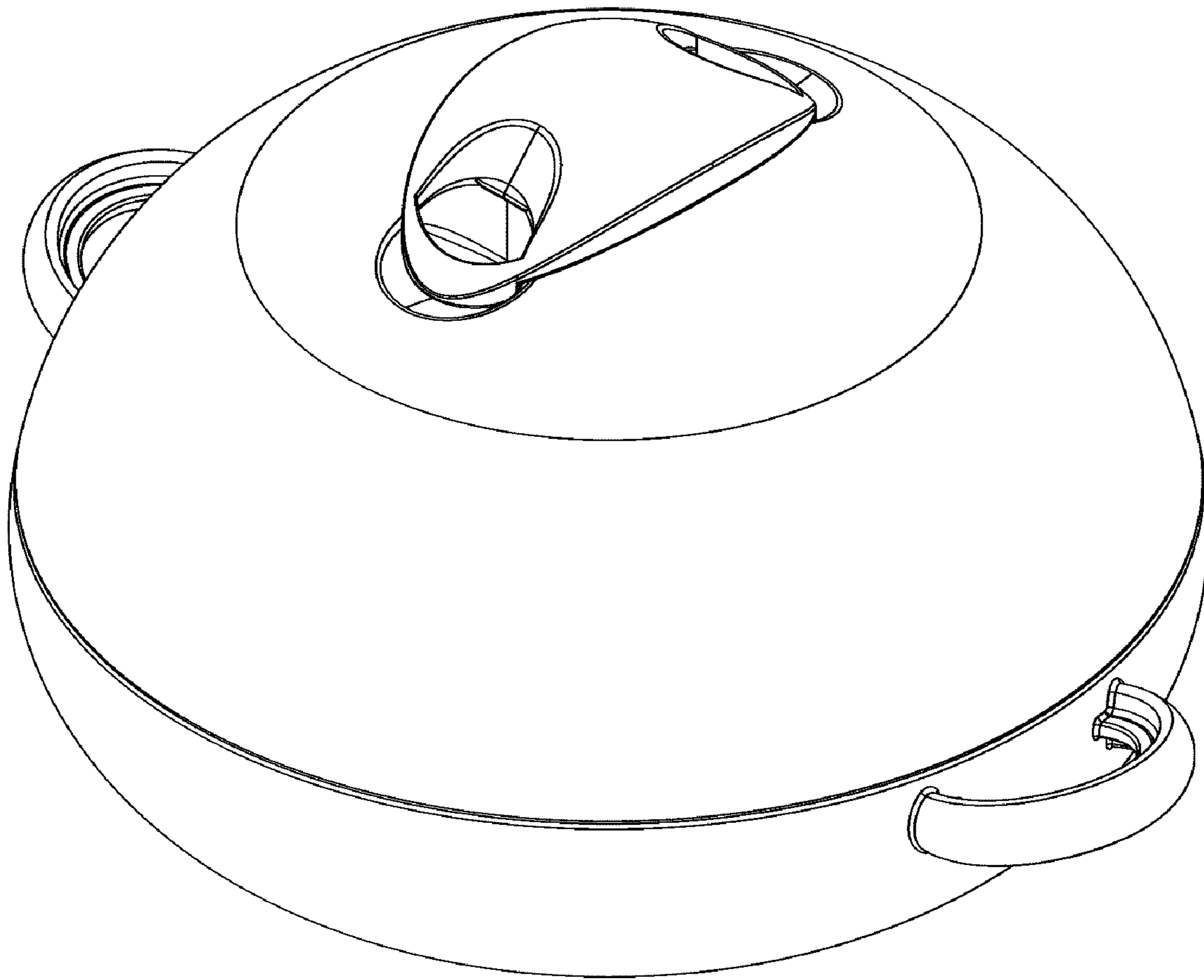


FIG. 7