



US00D618488S

(12) **United States Design Patent**  
**Knöchner**

(10) **Patent No.:** **US D618,488 S**

(45) **Date of Patent:** **\*\* Jun. 29, 2010**

(54) **OVEN**

(75) Inventor: **Michael Knöchner**, Roederweg (DE)

(73) Assignee: **Elexctrolux Home Products Corporation N.V.**, Zaventem (BE)

(\*\*) Term: **14 Years**

(21) Appl. No.: **29/342,502**

(22) Filed: **Aug. 26, 2009**

(30) **Foreign Application Priority Data**

Feb. 26, 2009 (EM) ..... 001093660

(51) **LOC (9) Cl.** ..... **07-02**

(52) **U.S. Cl.** ..... **D7/350.1**

(58) **Field of Classification Search** ..... D7/351,  
D7/350.1, 350.3, 350.4, 402, 405, 406; 219/678,  
219/756-758; 126/19 M, 275 E

See application file for complete search history.

(56) **References Cited**

**U.S. PATENT DOCUMENTS**

- D516,379 S \* 3/2006 Grutzke et al. .... D7/405
- D516,862 S \* 3/2006 Grutzke et al. .... D7/405
- D521,804 S \* 5/2006 Huxhold et al. .... D7/405
- D525,477 S \* 7/2006 Kim ..... D7/351
- D527,572 S \* 9/2006 Lee et al. .... D7/350.1
- D530,151 S \* 10/2006 Huxhold et al. .... D7/405

- D530,561 S \* 10/2006 Kim ..... D7/351
- D530,979 S \* 10/2006 Huxhold et al. .... D7/405
- D534,035 S \* 12/2006 Huxhold et al. .... D7/405
- D538,105 S \* 3/2007 Huxhold et al. .... D7/405
- D540,104 S \* 4/2007 Jeon ..... D7/350.1
- D541,578 S \* 5/2007 Jeon ..... D7/350.1
- D542,588 S \* 5/2007 Jeon ..... D7/350.1
- D586,618 S \* 2/2009 Cutino ..... D7/405
- D592,009 S \* 5/2009 Crookshanks ..... D7/405

\* cited by examiner

*Primary Examiner*—Ruth McInroy

(74) *Attorney, Agent, or Firm*—Pearne & Gordon LLP

(57) **CLAIM**

The ornamental design for an oven, as shown and described.

**DESCRIPTION**

FIG. 1 is a front perspective view of an oven showing my new design;

FIG. 2 is a front view thereof;

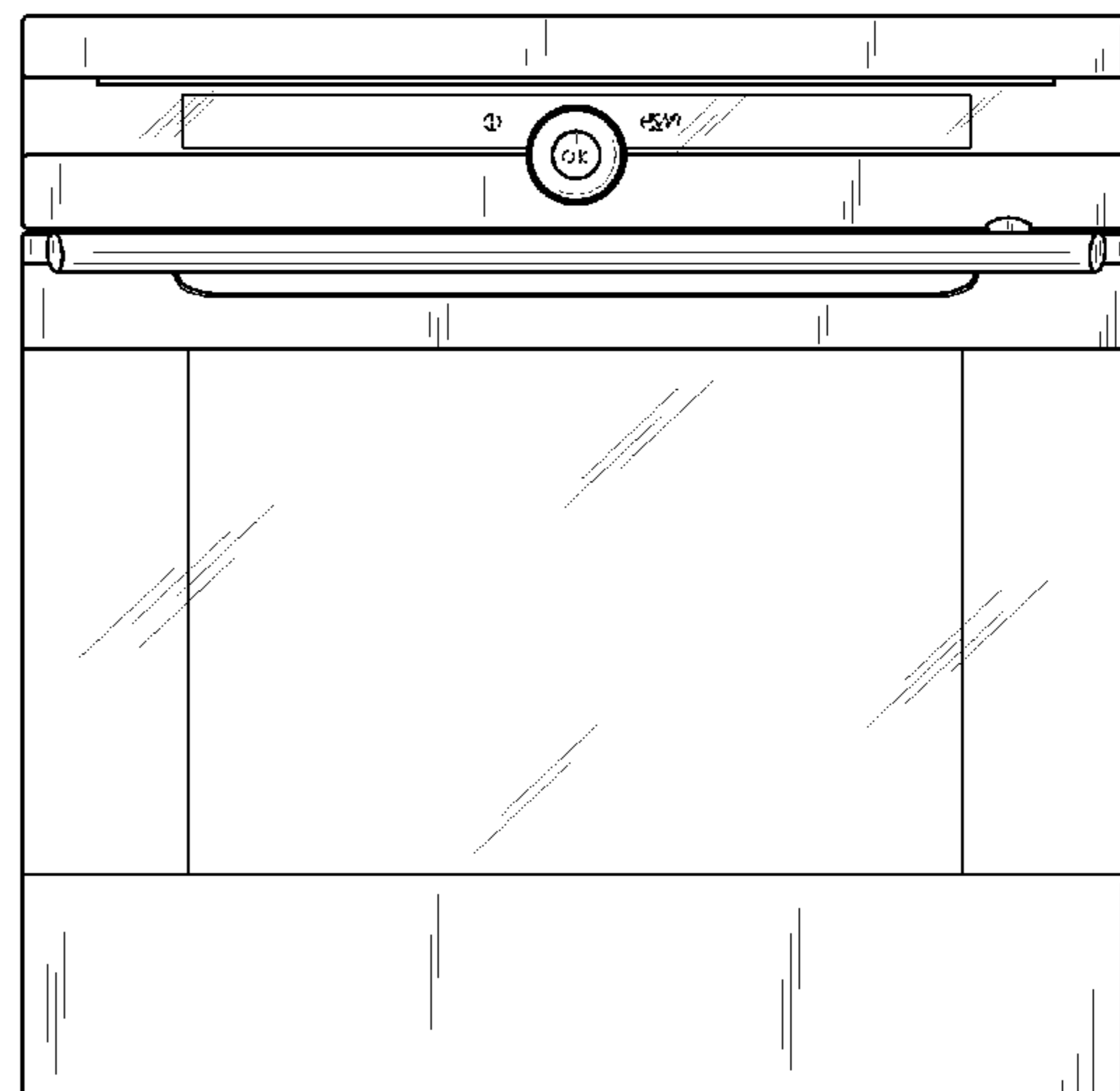
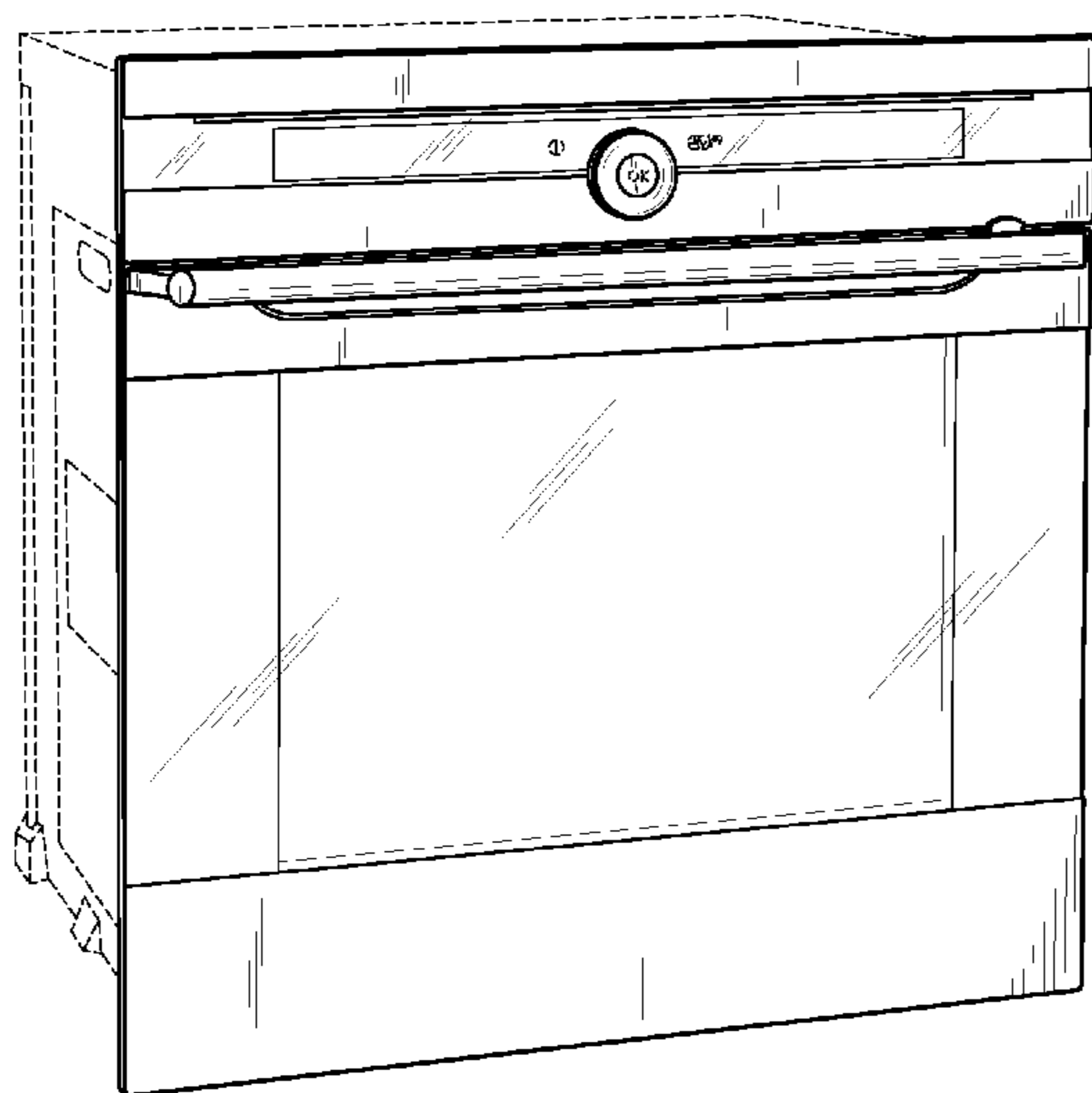
FIG. 3 is a left side view thereof, the right side being a mirror image;

FIG. 4 is a top plan view thereof; and,

FIG. 5 is a bottom plan view thereof.

The details shown in broken lines form no part of the claimed design.

**1 Claim, 3 Drawing Sheets**



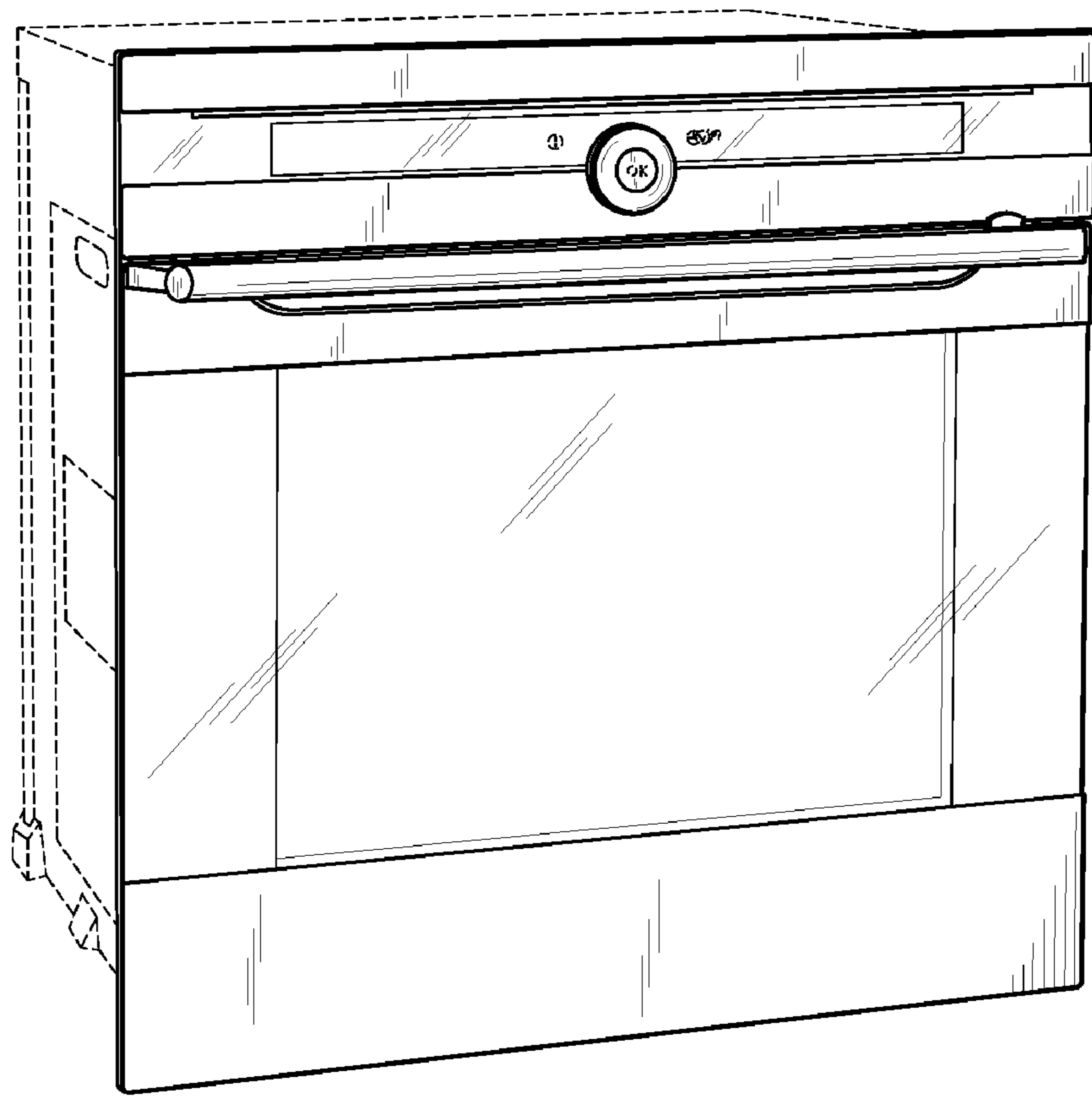


FIG. 1

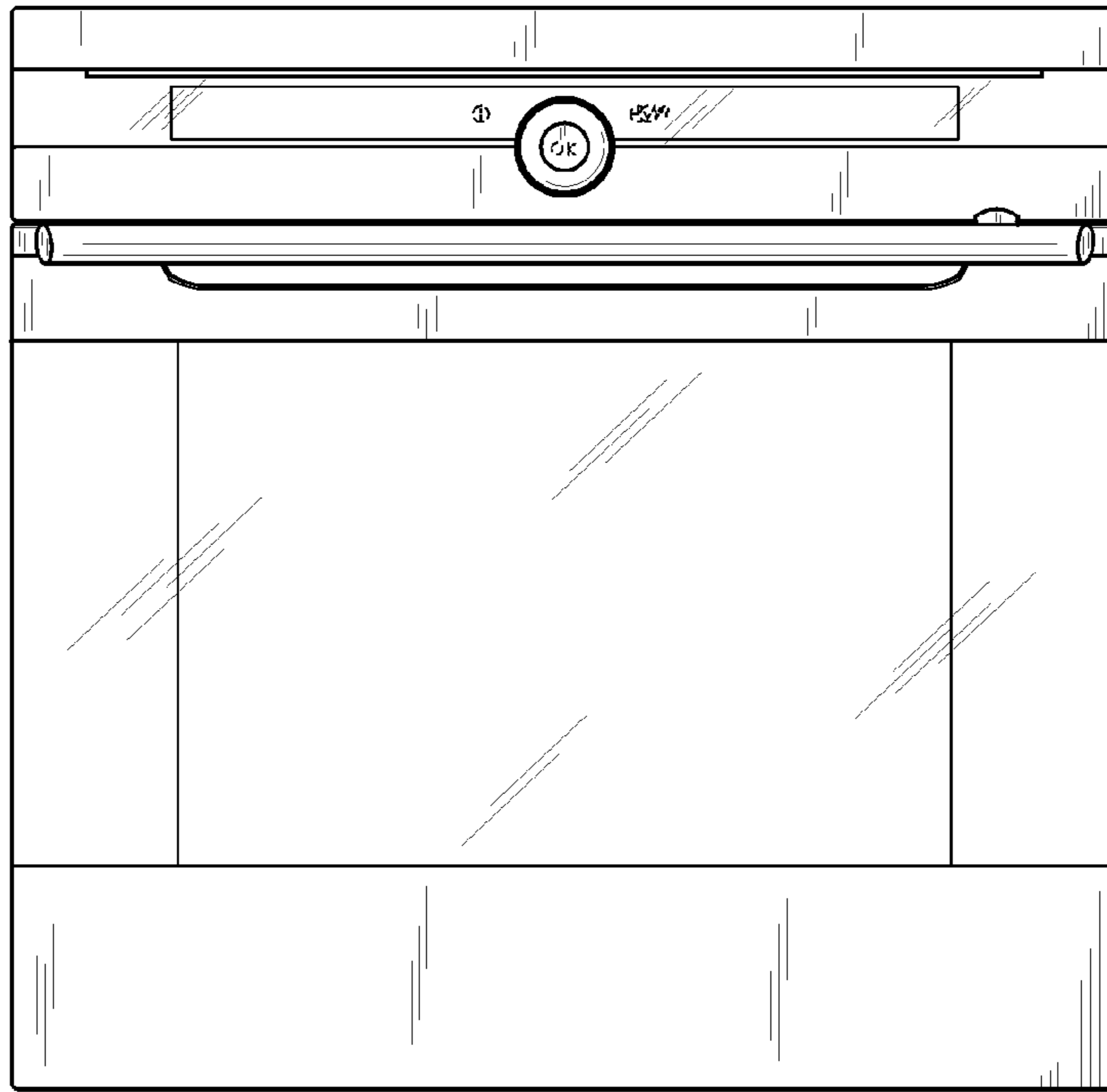


FIG. 2

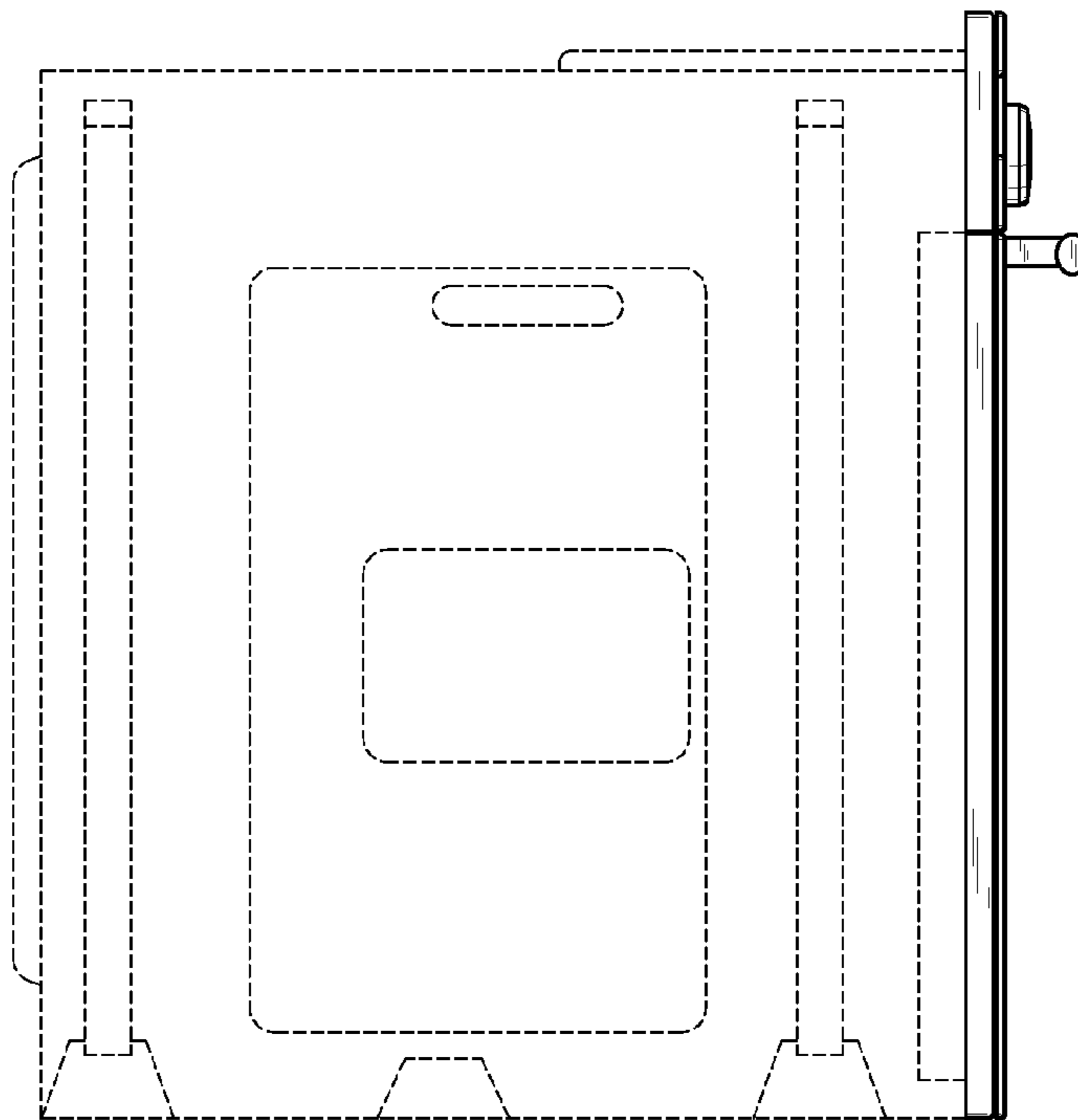


FIG. 3

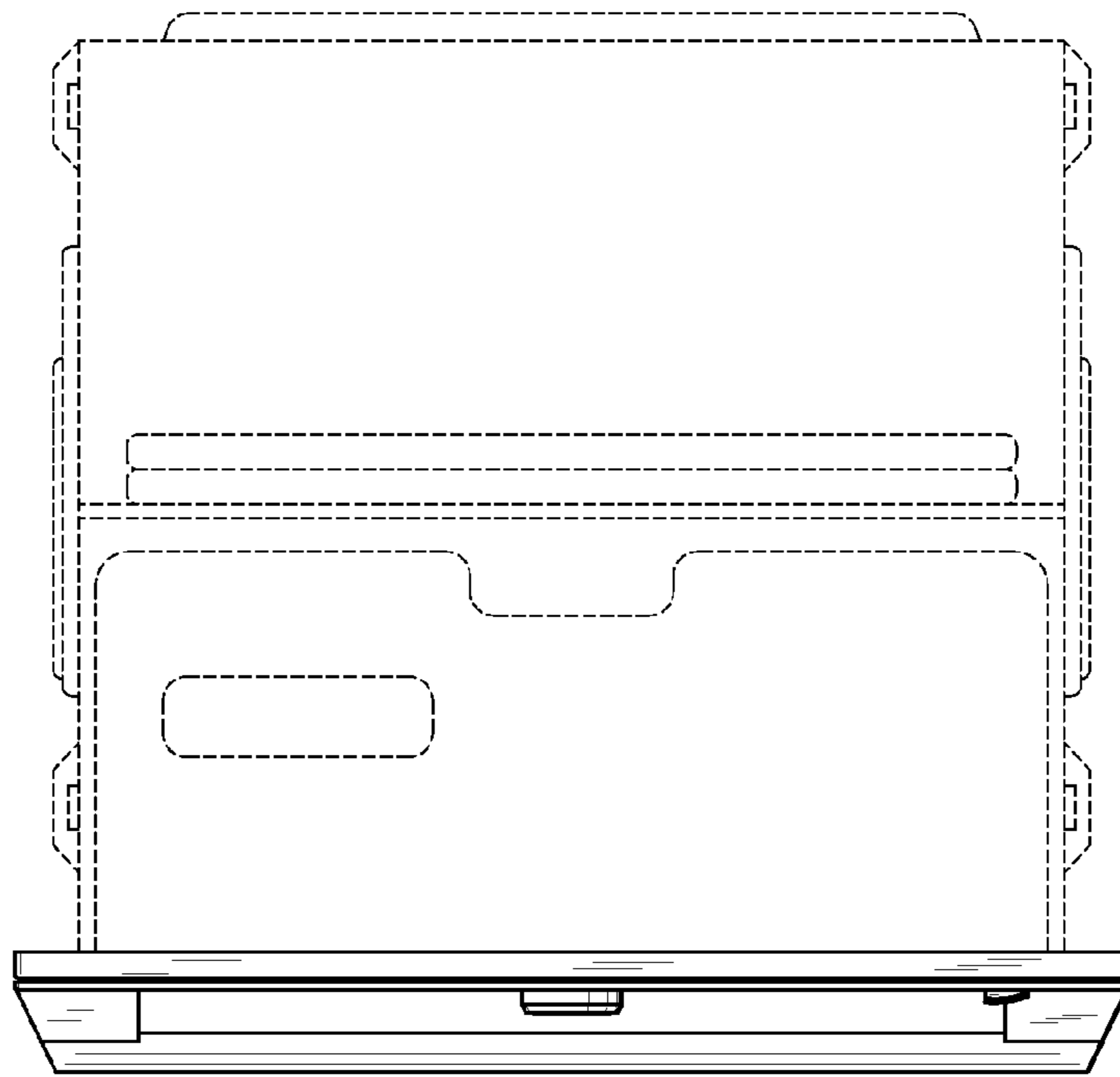


FIG. 4

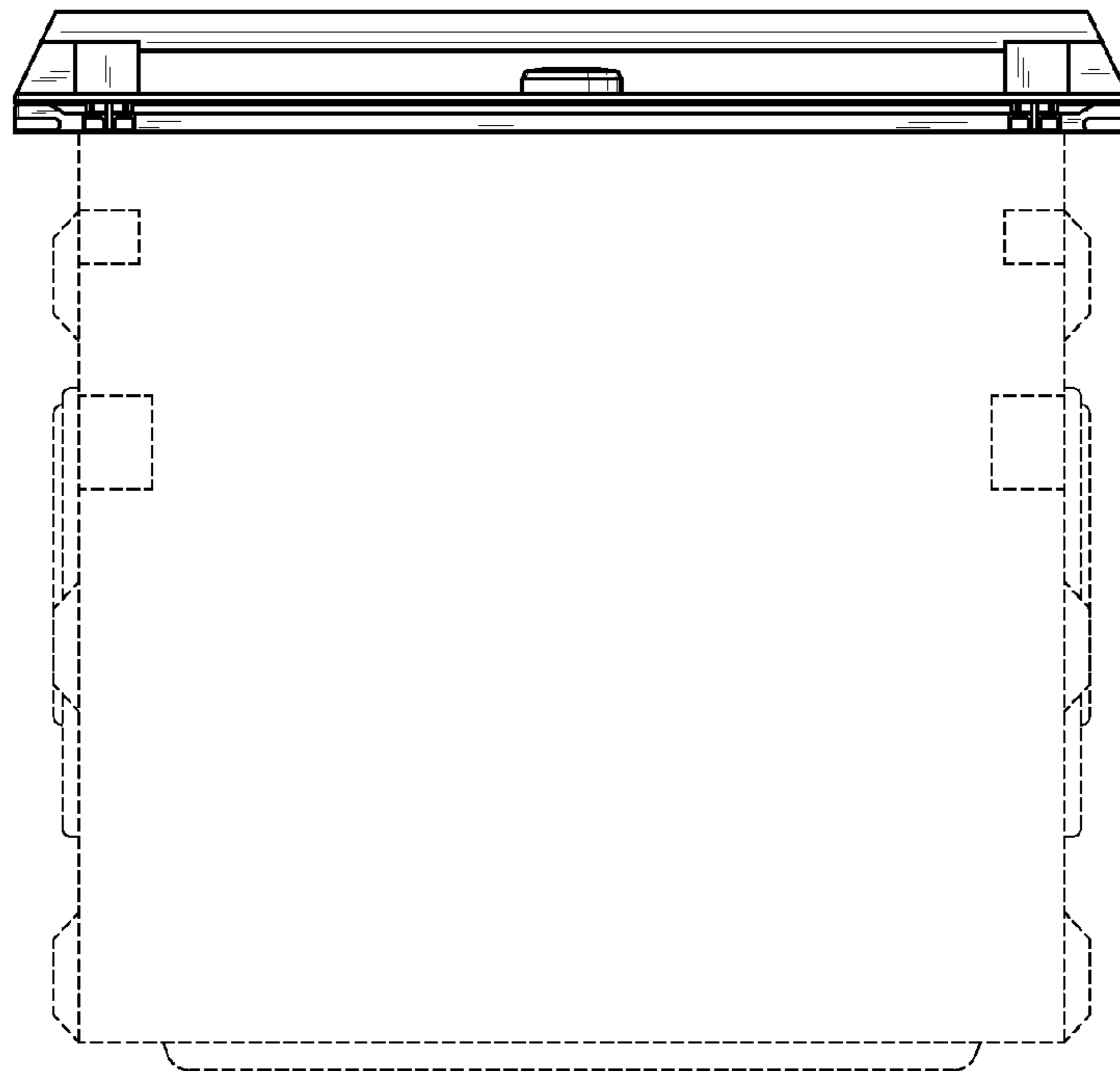


FIG. 5