



US00D618484S

(12) **United States Design Patent**  
**Tzeng**

(10) **Patent No.:** **US D618,484 S**  
(45) **Date of Patent:** **\*\* Jun. 29, 2010**

(54) **GRILL**

(75) Inventor: **Jackie Tzeng**, Chiayi Hsien (TW)

(73) Assignee: **Sing Chen International Co., Ltd.**,  
Chiayi Hsien (TW)

(\*\*) Term: **14 Years**

(21) Appl. No.: **29/342,498**

(22) Filed: **Aug. 26, 2009**

(51) **LOC (9) Cl.** ..... **07-02**

(52) **U.S. Cl.** ..... **D7/334**

(58) **Field of Classification Search** ..... D7/332,  
D7/334-337, 402-404, 406-407; 126/37 R,  
126/25 R, 41 R, 41 C, 41 D, 41 E, 9 R, 44,  
126/50, 39 E, 91 A; 99/339, 340, 450, 444;  
431/354

See application file for complete search history.

(56) **References Cited**

**U.S. PATENT DOCUMENTS**

- D410,812 S \* 6/1999 Pai ..... D7/334
- D468,150 S \* 1/2003 Schroeter et al. .... D7/335
- D480,596 S \* 10/2003 Dellinger et al. .... D7/335
- D483,983 S \* 12/2003 Harrod et al. .... D7/334

- D520,802 S \* 5/2006 McLemore et al. .... D7/335
- D548,514 S \* 8/2007 Huang ..... D7/335
- D551,490 S \* 9/2007 Sacherman ..... D7/335
- D567,011 S \* 4/2008 DeMars ..... D7/335
- 2008/0271728 A1 \* 11/2008 Pai ..... 126/25 R

\* cited by examiner

*Primary Examiner*—Ruth McInroy

(74) *Attorney, Agent, or Firm*—Black Lowe & Graham,  
PLLC

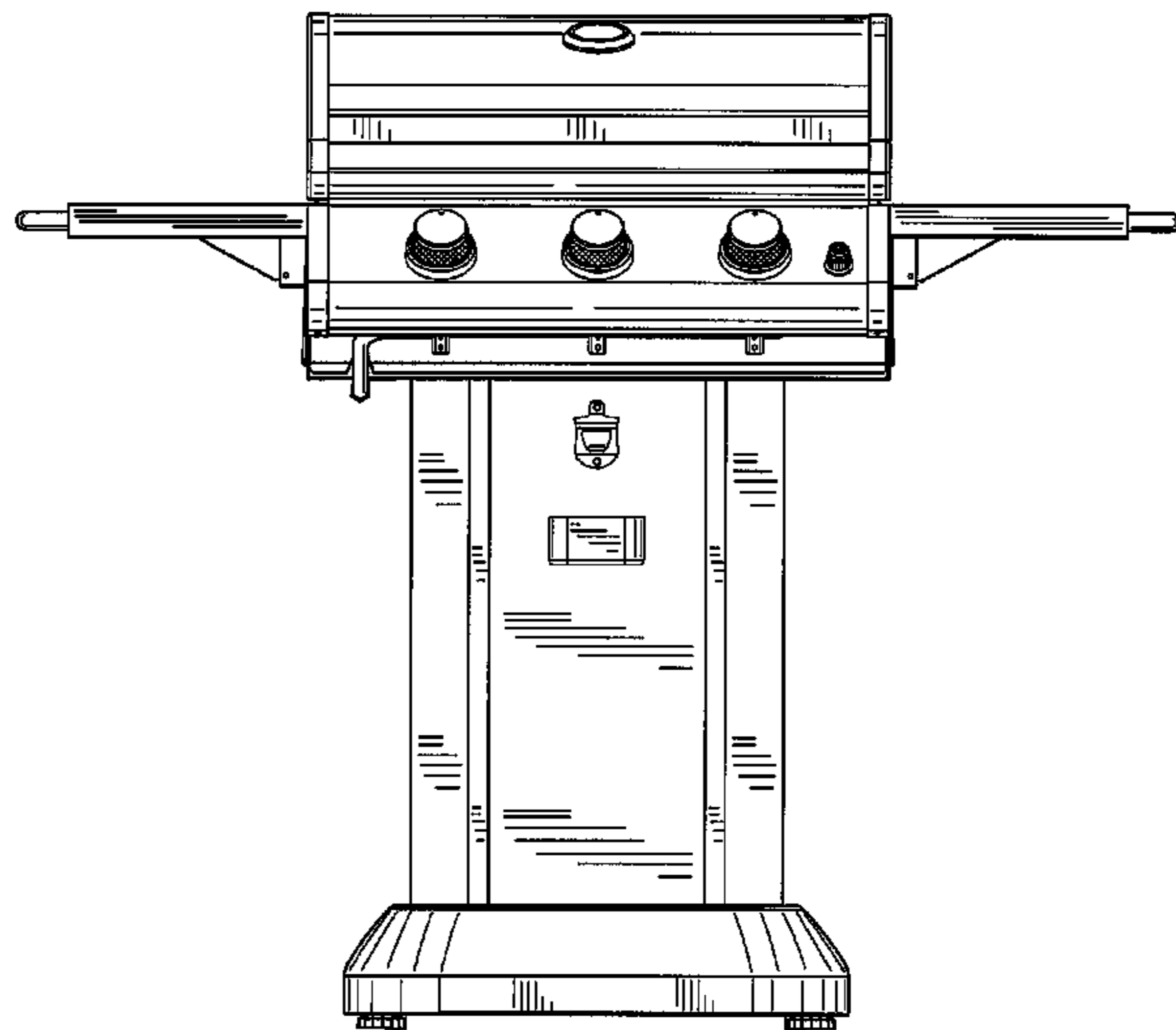
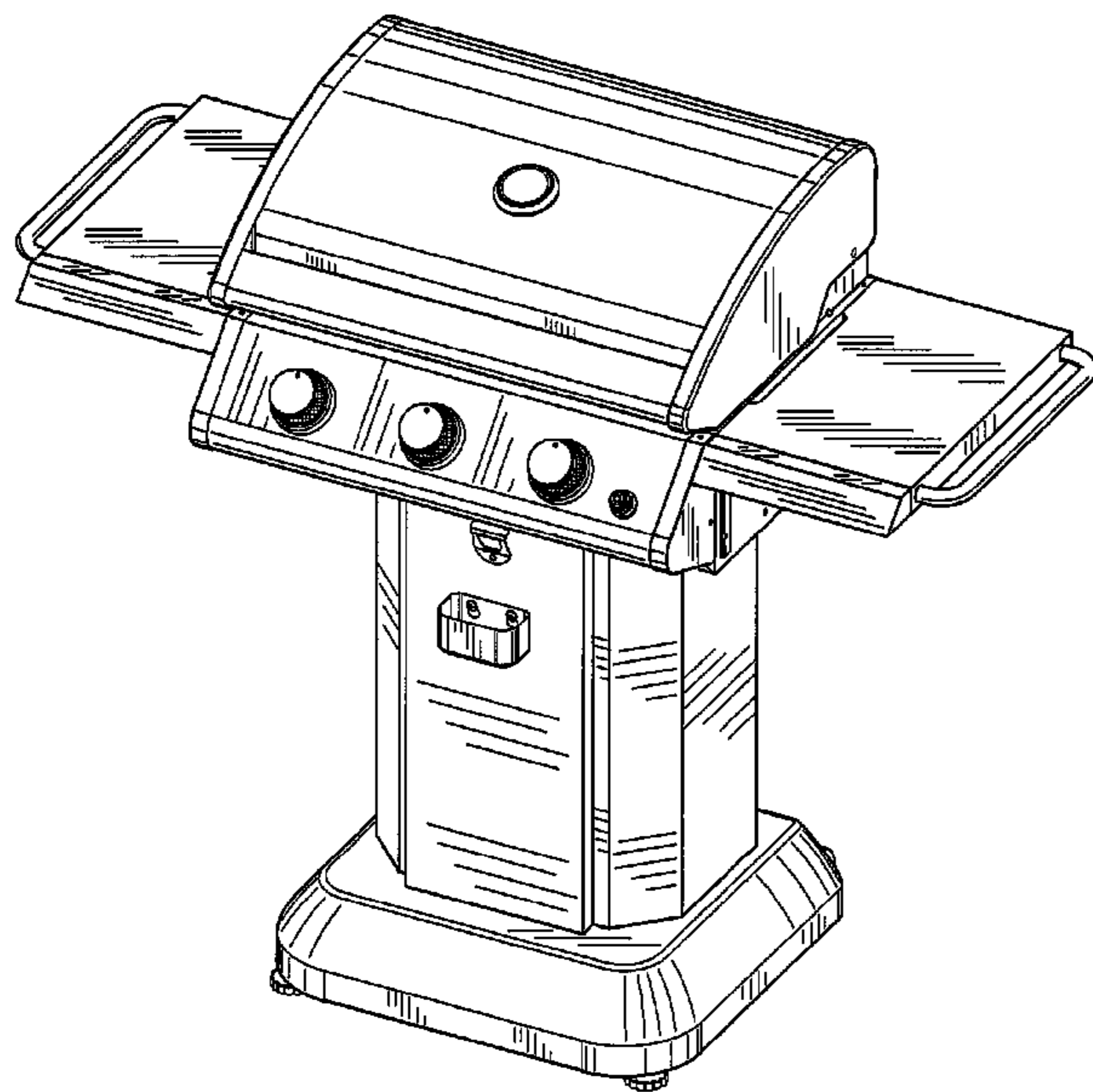
(57) **CLAIM**

I claim the ornamental design for a grill, as shown and described.

**DESCRIPTION**

FIG. 1 is a perspective view of a grill showing my new design;  
 FIG. 2 is a front elevational view thereof;  
 FIG. 3 is a rear elevational view thereof;  
 FIG. 4 is a left side elevational view thereof;  
 FIG. 5 is a right side elevational view thereof;  
 FIG. 6 is a top plan view thereof; and,  
 FIG. 7 is a bottom plan view thereof.

**1 Claim, 7 Drawing Sheets**



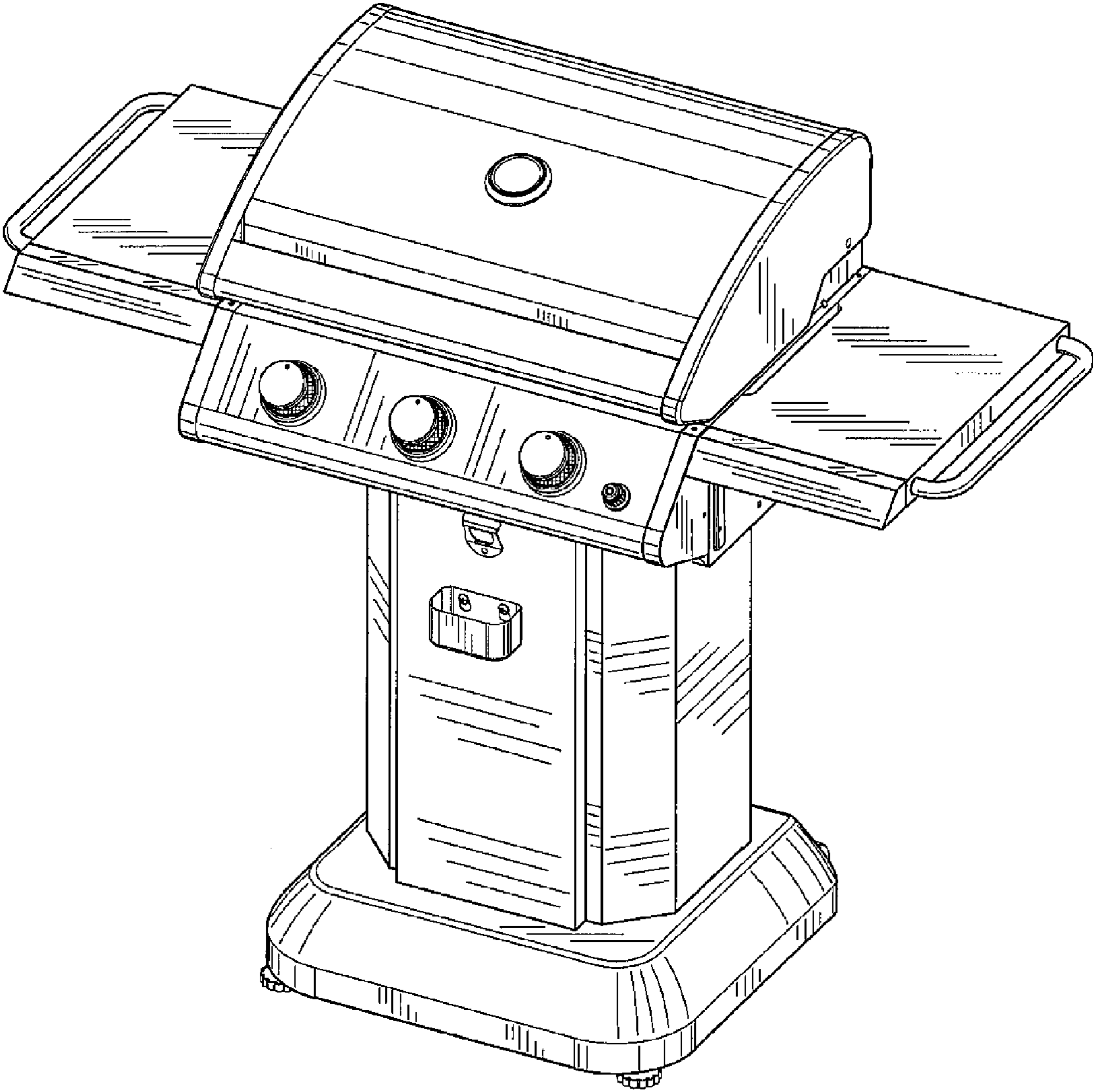


FIG. 1

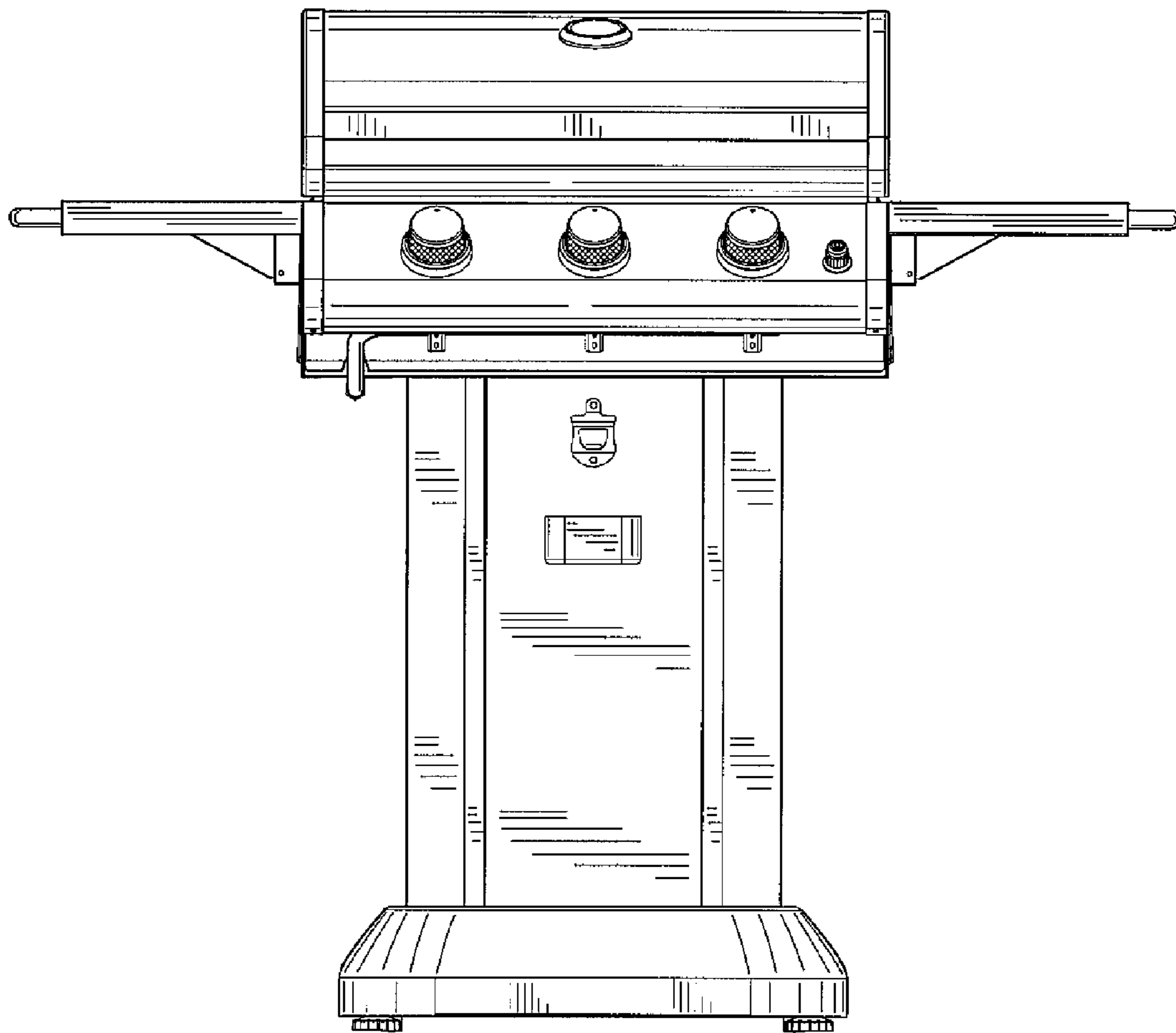


FIG. 2

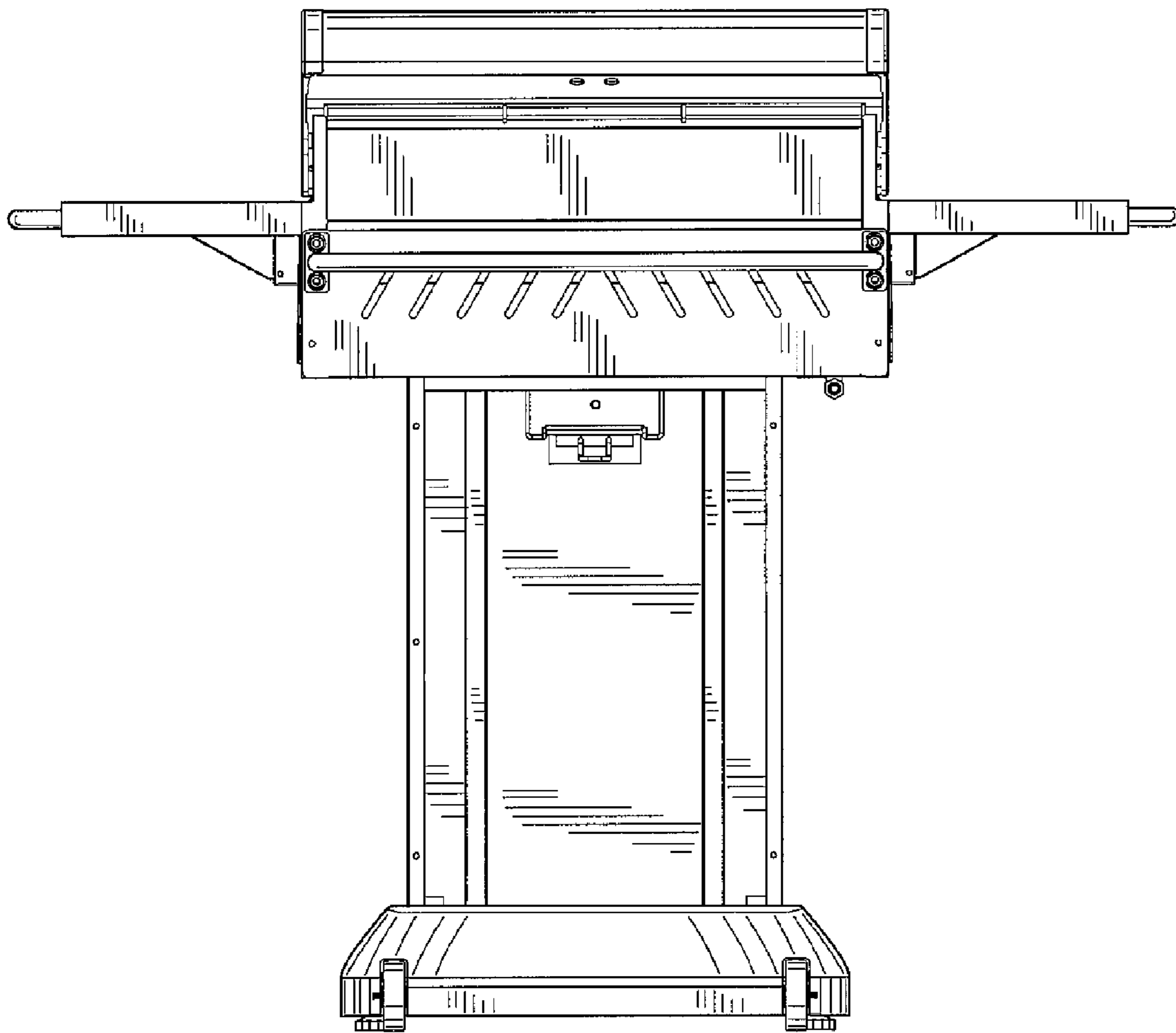


FIG. 3

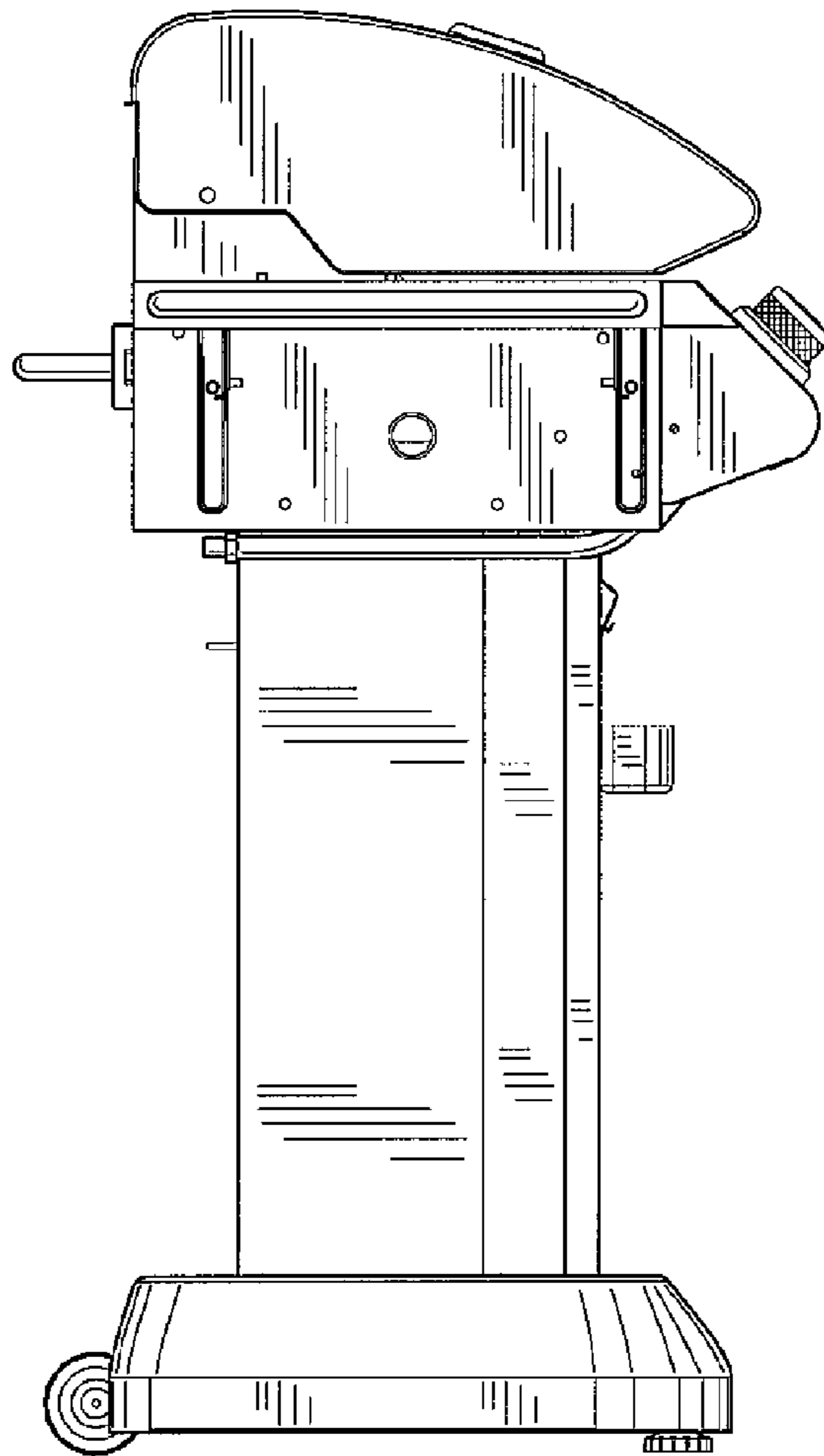


FIG. 4

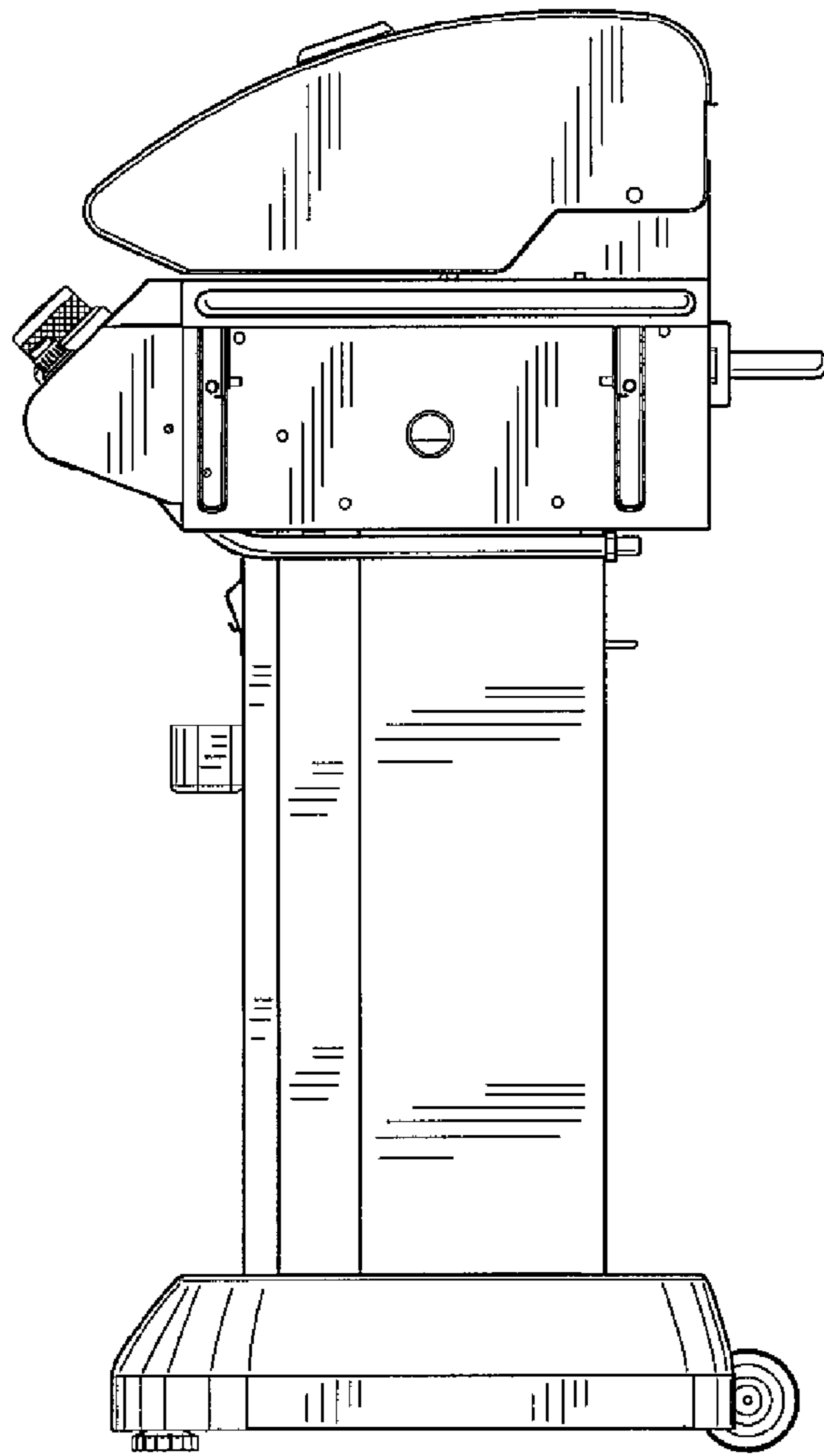


FIG. 5

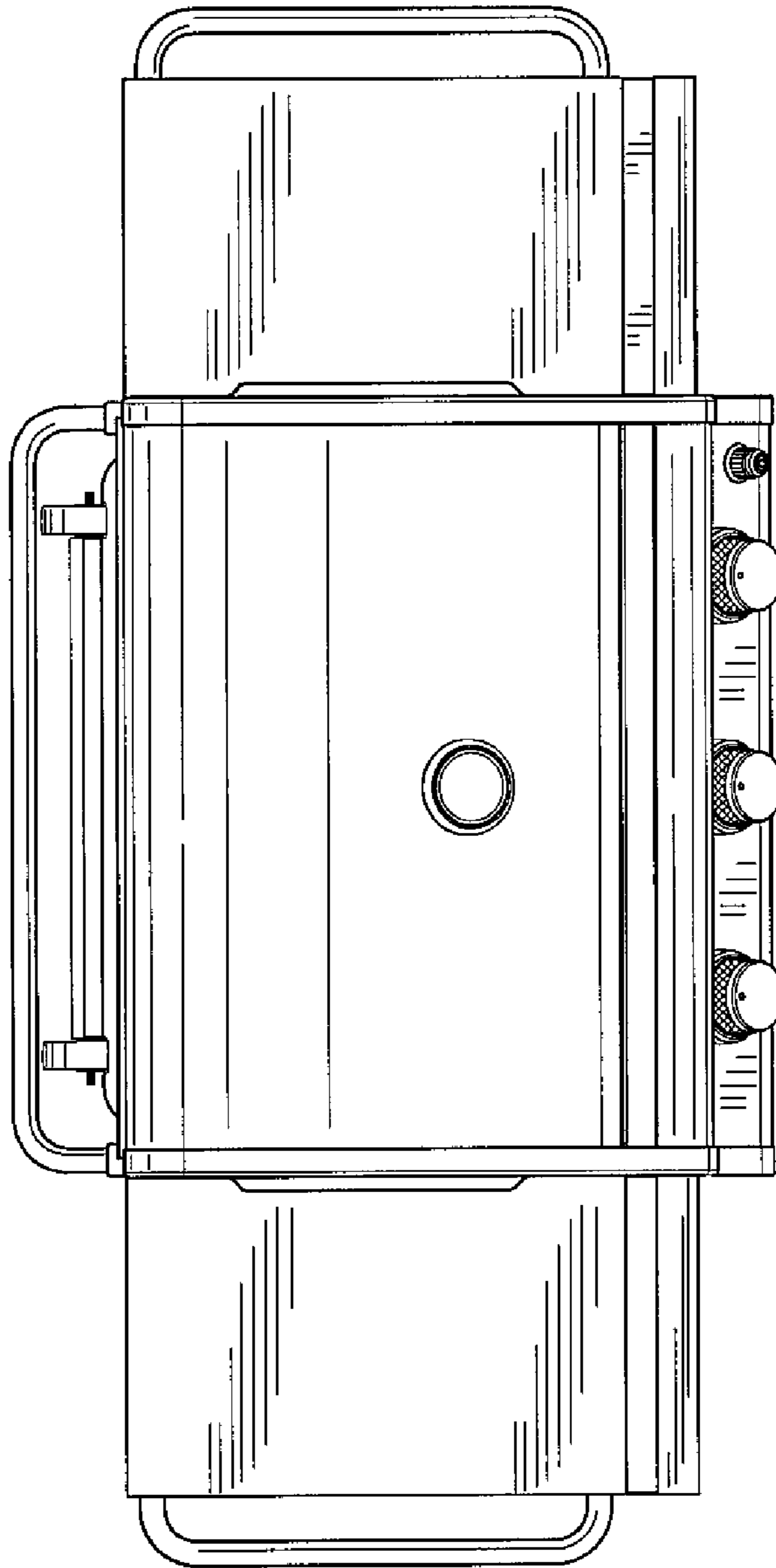


FIG. 6

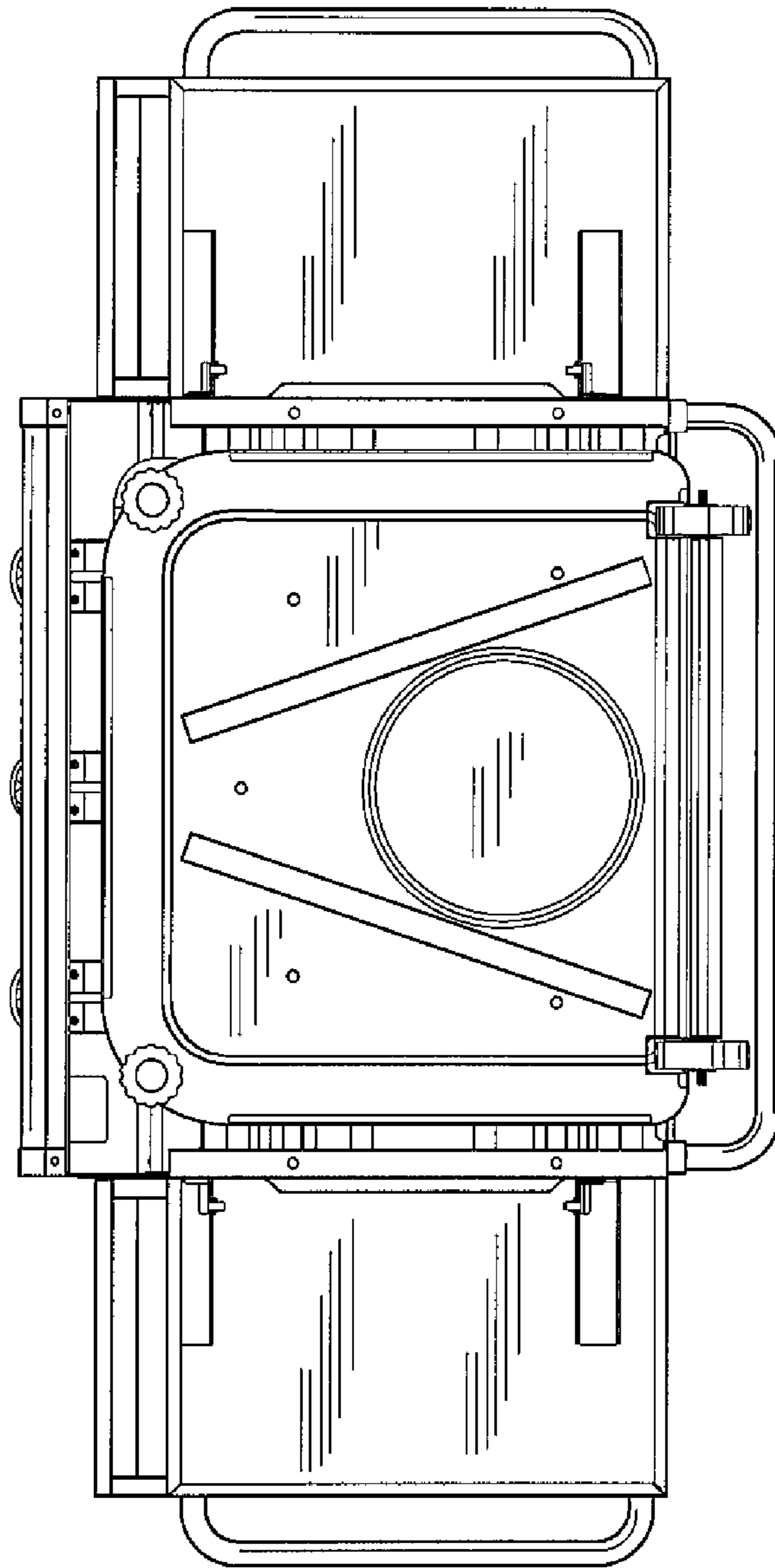


FIG. 7