



US00D618482S

(12) **United States Design Patent**
Gaze et al.

(10) **Patent No.:** **US D618,482 S**
(45) **Date of Patent:** **** Jun. 29, 2010**

(54) **BARBEQUE**

(75) Inventors: **Martin Robert Gaze**, Surrey (GB);
Terence William Gander, Bracknell
(GB); **Angus Davidson**, Godalming
(GB)

(73) Assignee: **Plum Products Ltd.**, Woking (GB)

(**) Term: **14 Years**

(21) Appl. No.: **29/311,693**

(22) Filed: **May 26, 2009**

(30) **Foreign Application Priority Data**

Nov. 27, 2008 (EP) 1046999-0009

(51) **LOC (9) Cl.** **07-02**

(52) **U.S. Cl.** **D7/332**

(58) **Field of Classification Search** D7/332,
D7/334-337, 402-404; 126/25 R, 41 R,
126/9 R, 38, 40, 50; 99/481-482

See application file for complete search history.

(56) **References Cited**

U.S. PATENT DOCUMENTS

- D91,639 S * 2/1934 Stulik D7/332
- D256,316 S * 8/1980 Nichols, Jr. D7/332
- D320,527 S * 10/1991 Carroll D7/332
- D417,120 S * 11/1999 Dutro et al. D7/332
- D417,359 S * 12/1999 Dutro et al. D7/332

- D450,524 S * 11/2001 Measom D7/332
- D517,365 S * 3/2006 Huang D7/332
- D579,260 S * 10/2008 Zischke D7/332

FOREIGN PATENT DOCUMENTS

GB 3025388 10/2006

OTHER PUBLICATIONS

“Notebook Sized Flat-Folding BBQ Grill,” www.treehugger.com,
http://www.treehugger.com/files/2007/08/more_grilling_o.php;
Aug. 29, 2007; pp. 1-4.

“More Grilling on the Go: Flat-Folding BBQ,” www.apartmenttherapy.com;
www.apartmenttherapy.com/la/entertaining/notebook-sized-flatfolding-bbq-grill-050709;
May 13, 2008; pp. 1 and 2.

* cited by examiner

Primary Examiner—Ruth McInroy

(74) *Attorney, Agent, or Firm*—Rabin & Berdo, PC

(57) **CLAIM**

The ornamental design for a barbeque, as shown and described.

DESCRIPTION

FIG. 1 is a perspective view thereof;

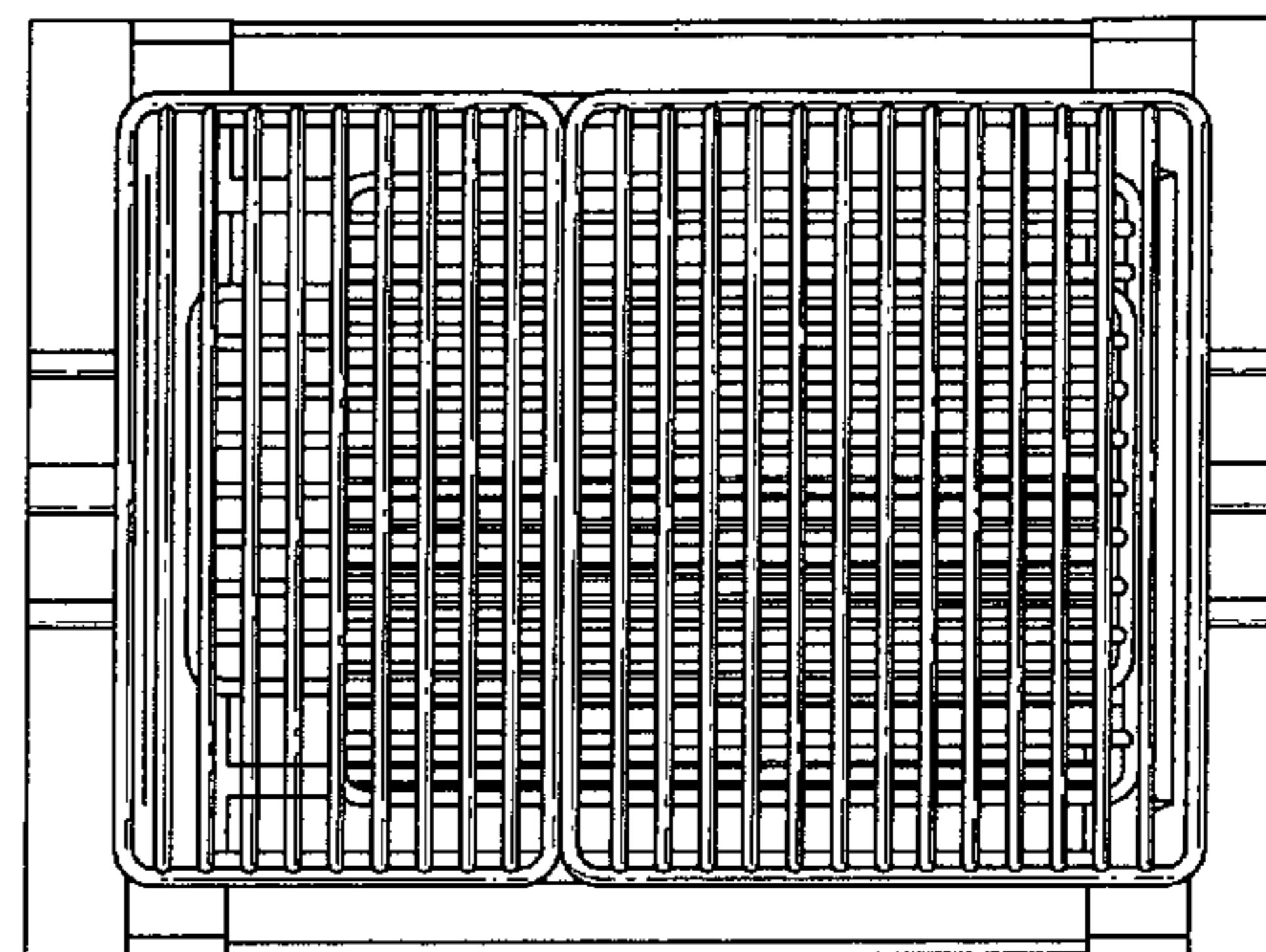
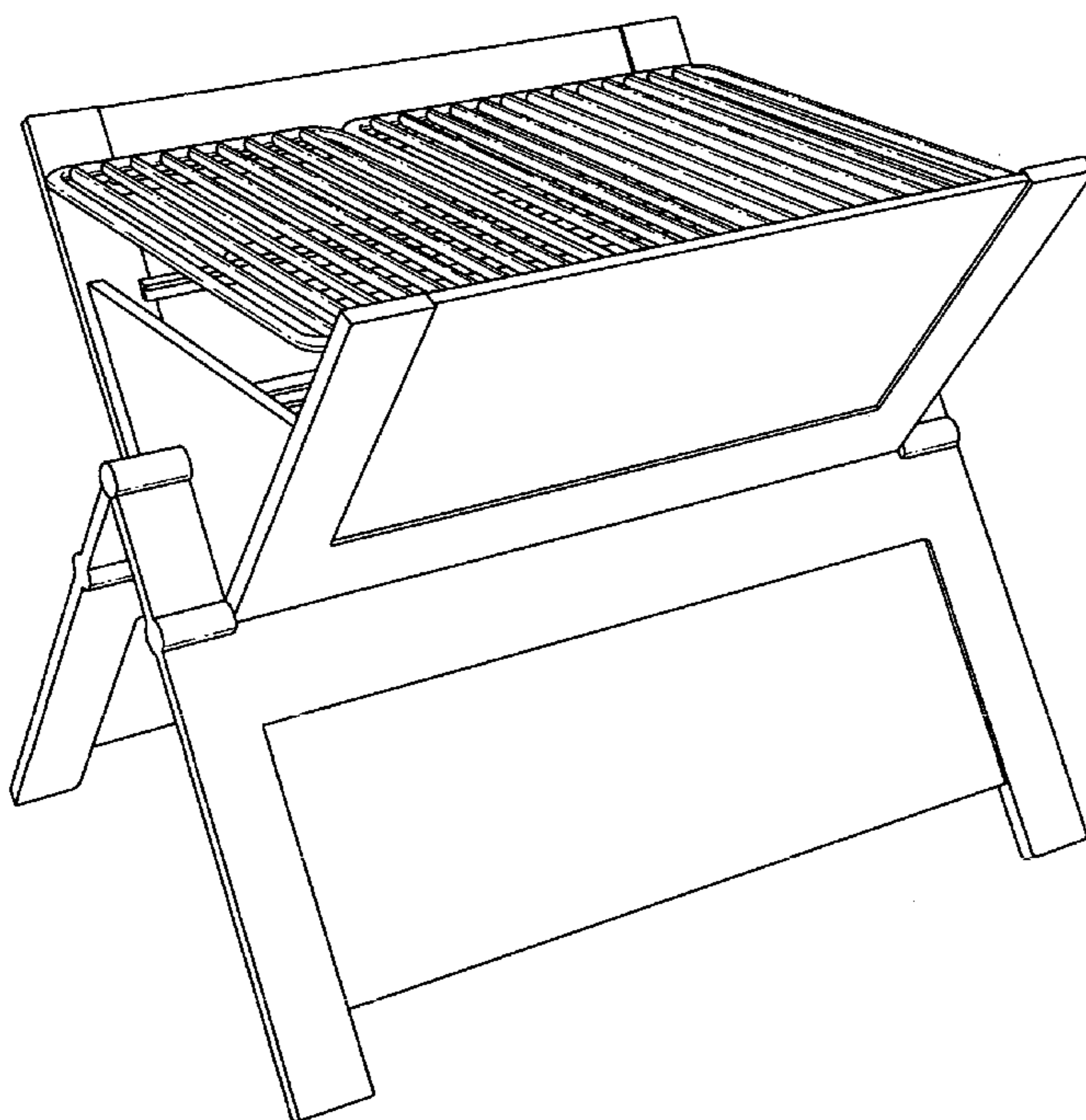
FIG. 2 is a top plan view thereof;

FIG. 3 is a front view thereof (the rear view is the same);

FIG. 4 is a left side view thereof; and,

FIG. 5 is a right side view thereof.

1 Claim, 3 Drawing Sheets



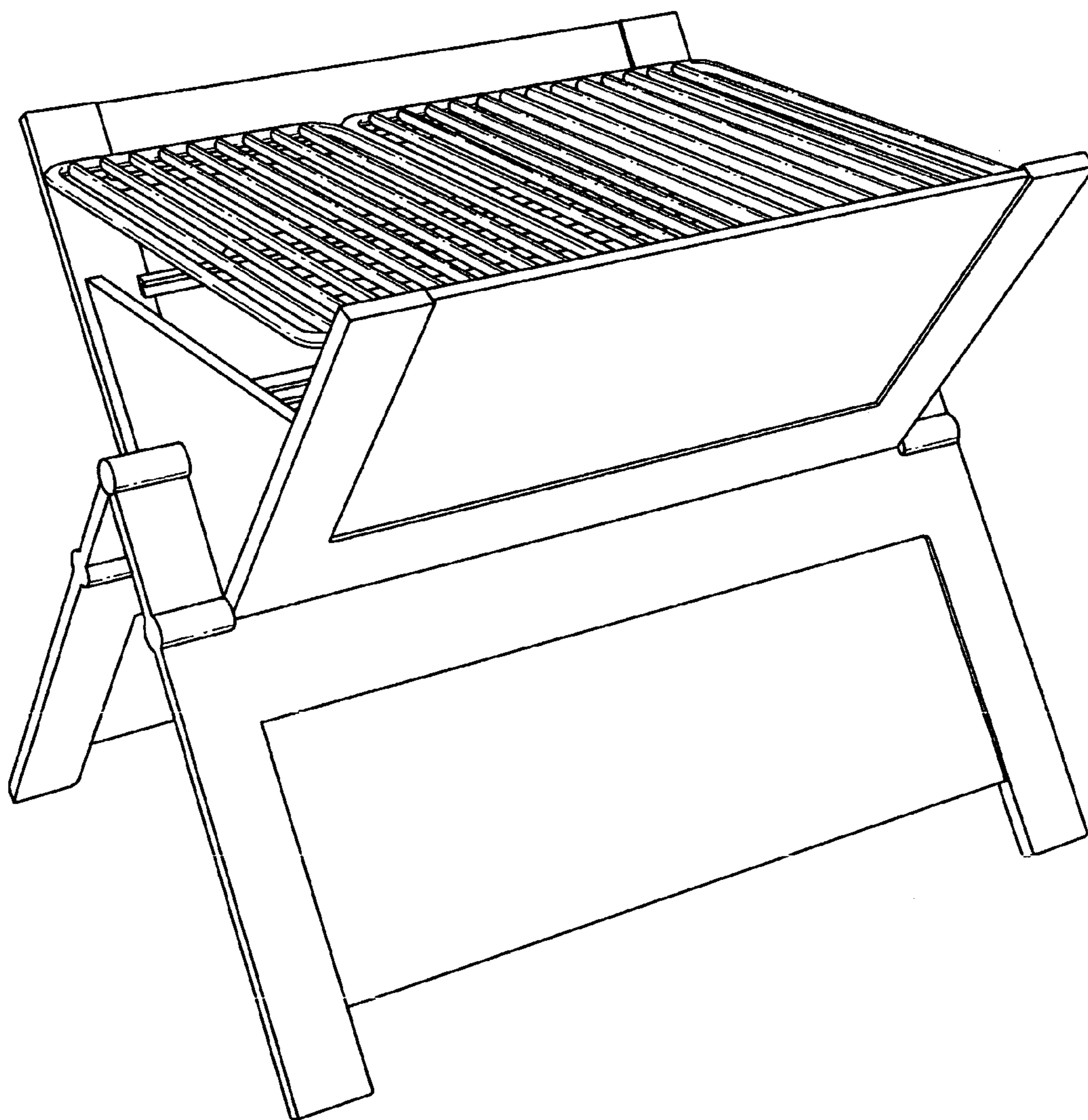


FIG. 1

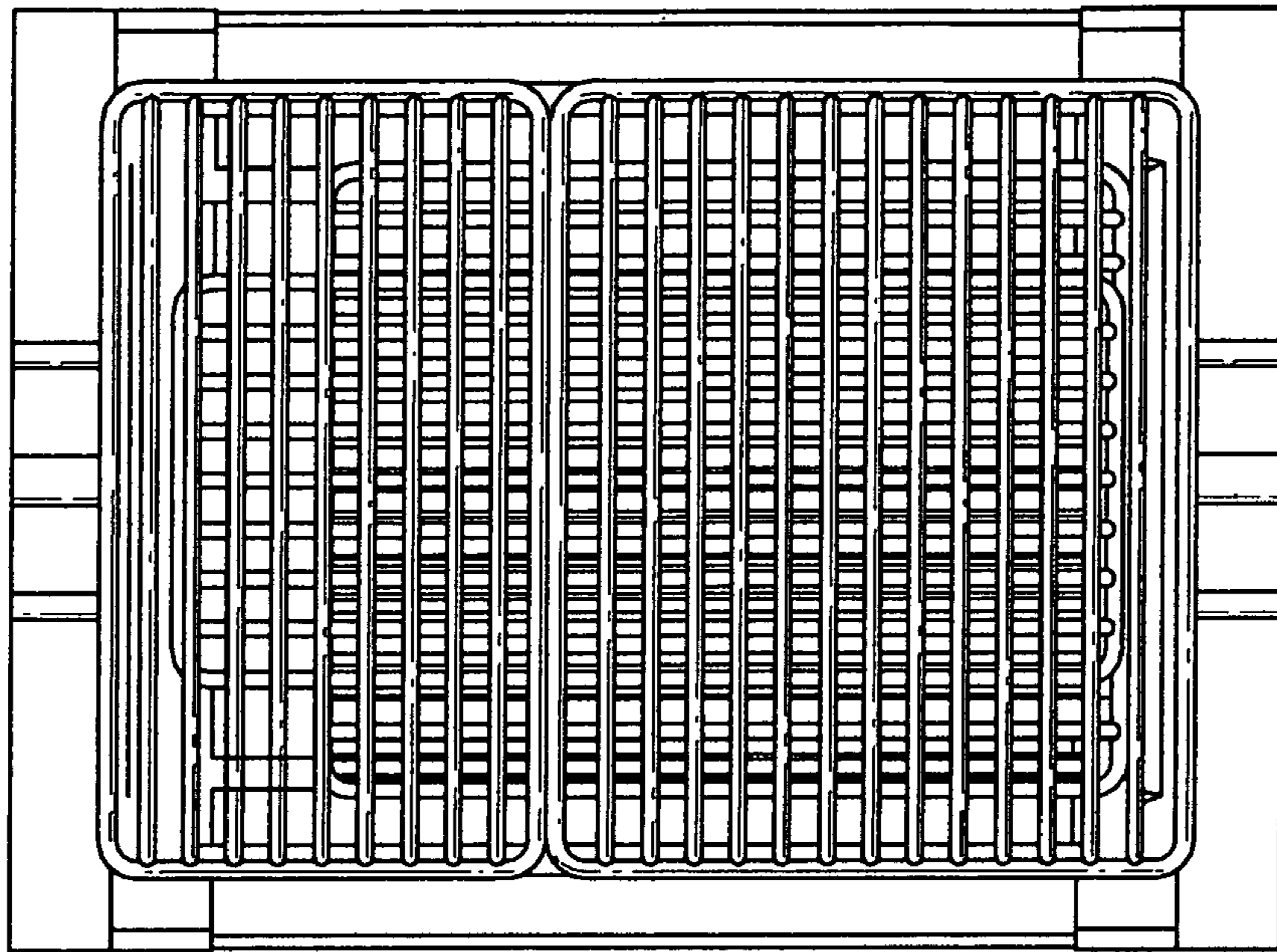


FIG. 2

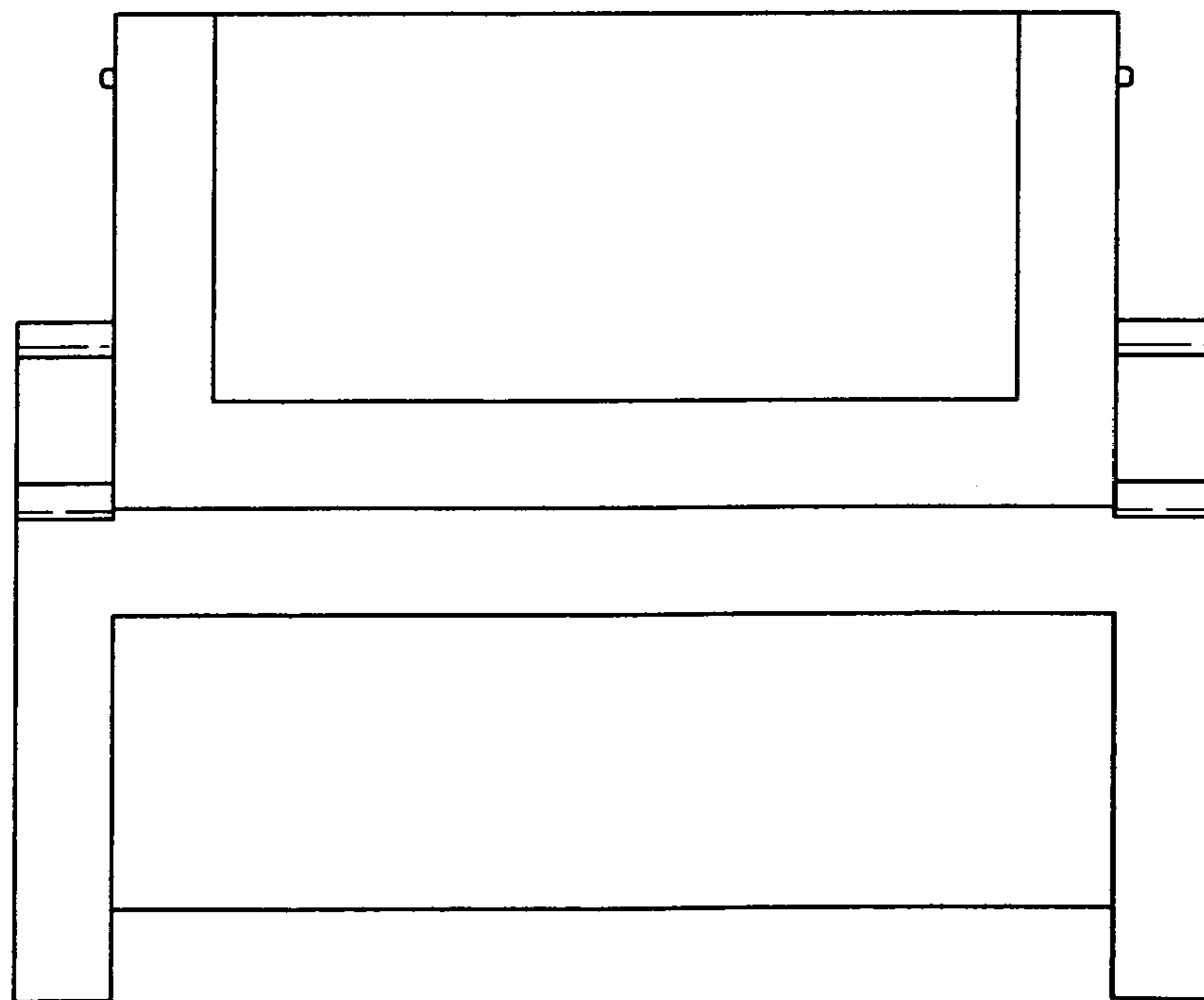


FIG. 3

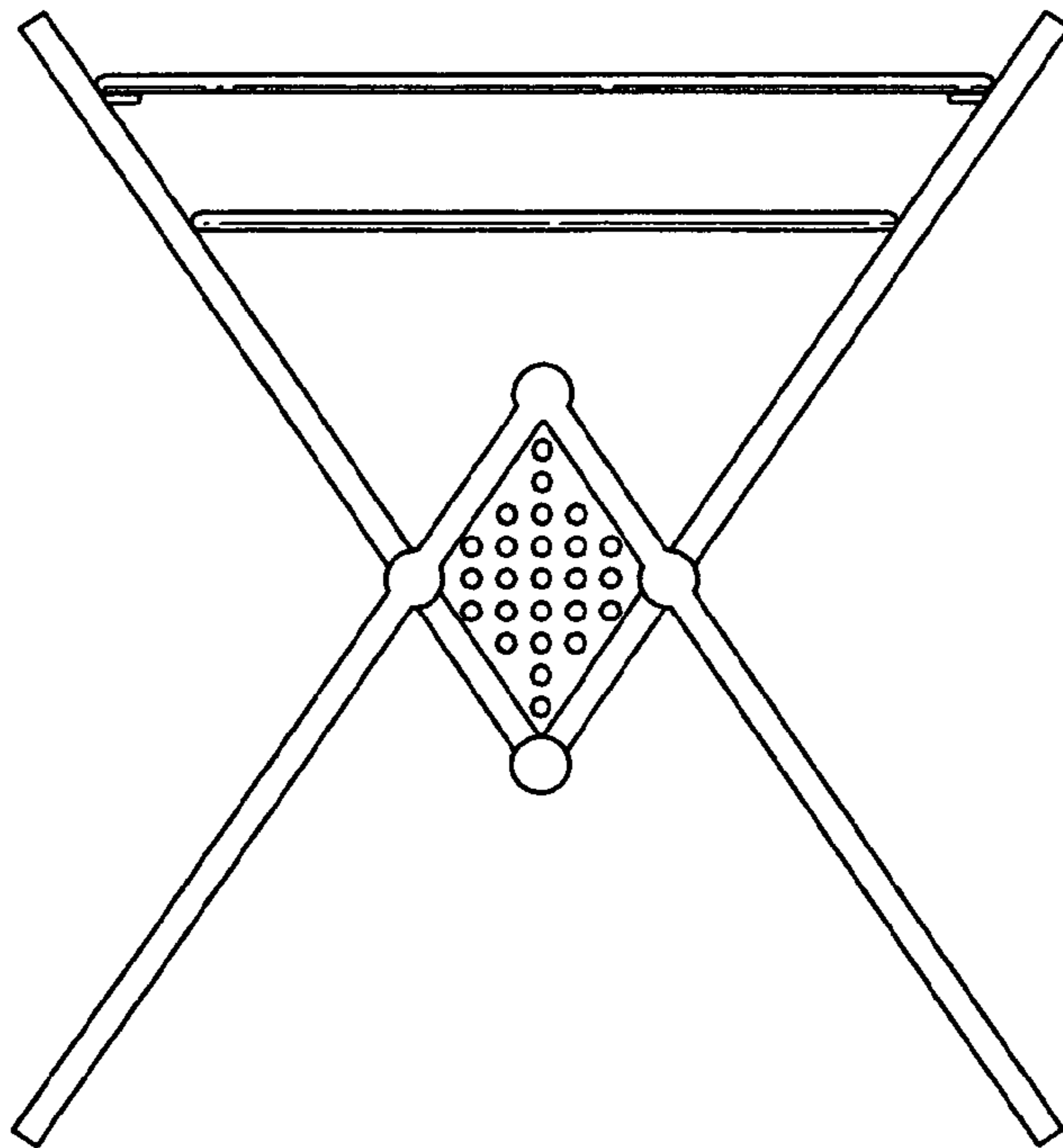


FIG. 4

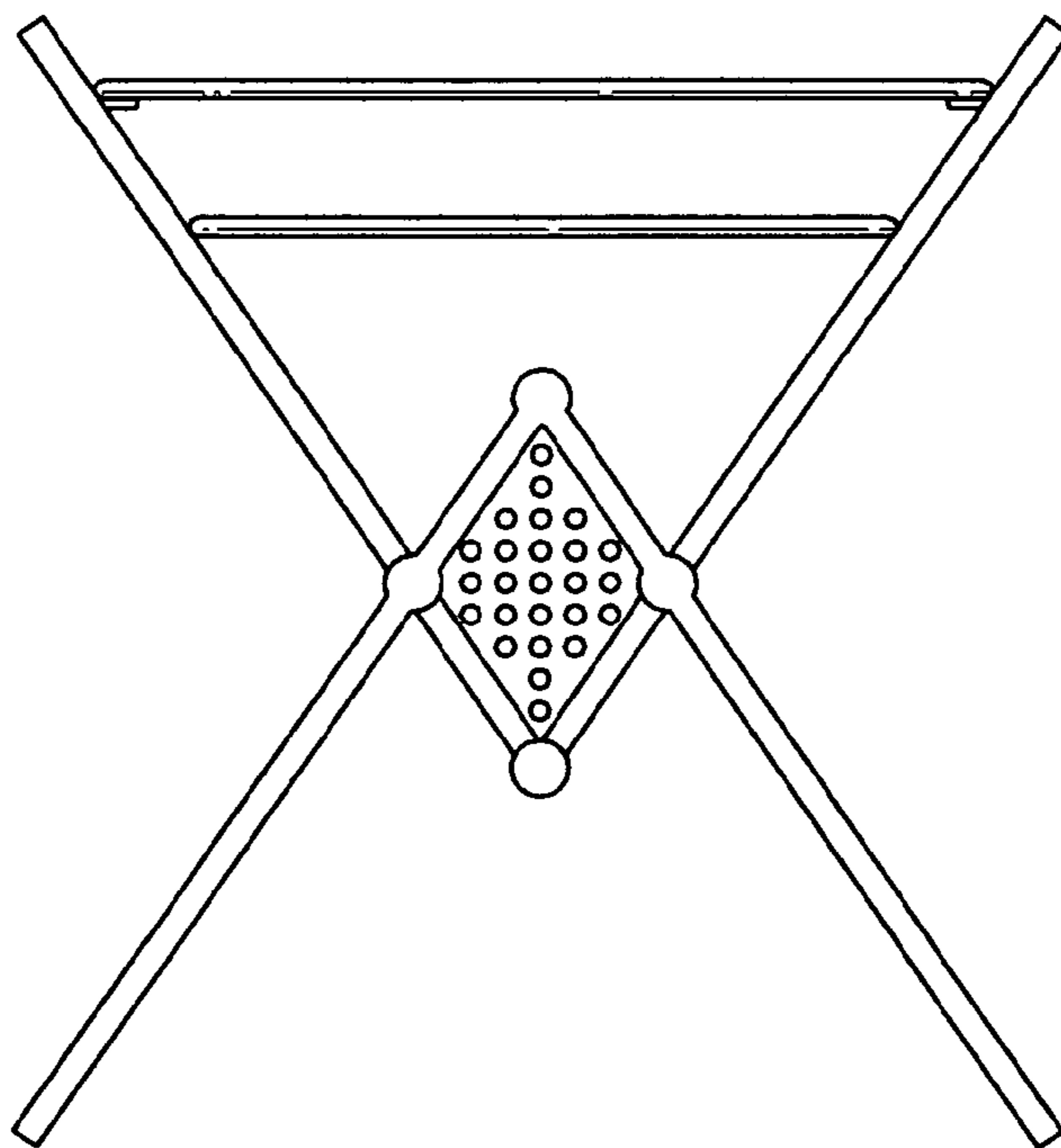


FIG. 5