



US00D618479S

(12) **United States Design Patent**  
**Pinney**

(10) **Patent No.:** **US D618,479 S**

(45) **Date of Patent:** **\*\* Jun. 29, 2010**

(54) **TISSUE PAPER ROLL CADDY**

(76) **Inventor:** **Nancy Patricia Pinney**, 28618 27th Pl.  
S., Federal Way, WA (US) 98003

(\*\*) **Term:** **14 Years**

(21) **Appl. No.:** **29/312,255**

(22) **Filed:** **Oct. 9, 2008**

(51) **LOC (9) Cl.** ..... **23-02**

(52) **U.S. Cl.** ..... **D6/523**

(58) **Field of Classification Search** ..... D6/518-524,  
D6/546-550; D8/300, 370, 315; 108/28-29;  
211/13.1, 16, 85.5, 86.01, 87.01, 88.04, 100,  
211/105.1, 105.2, 106, 113, 123, 181.1, 182-183;  
248/49, 175, 176.1, 200, 201, 205.1, 251,  
248/302, 309.1, 315; 242/570, 590, 595-598,  
242/598.5

See application file for complete search history.

(56) **References Cited**

**U.S. PATENT DOCUMENTS**

3,799,467 A \* 3/1974 Bauman ..... 242/597  
D238,462 S \* 1/1976 Bauman ..... D6/523

D252,842 S \* 9/1979 McKee ..... D6/523  
D259,682 S \* 6/1981 Standing ..... D6/523  
5,248,105 A \* 9/1993 Cooker ..... 242/598.5  
D482,916 S \* 12/2003 Smurlick et al. .... D6/518  
D540,591 S \* 4/2007 Snell ..... D6/523

\* cited by examiner

*Primary Examiner*—Brian N Vinson

(74) *Attorney, Agent, or Firm*—Kevin Halverson

(57) **CLAIM**

The ornamental design for a tissue paper roll caddy, as shown and described.

**DESCRIPTION**

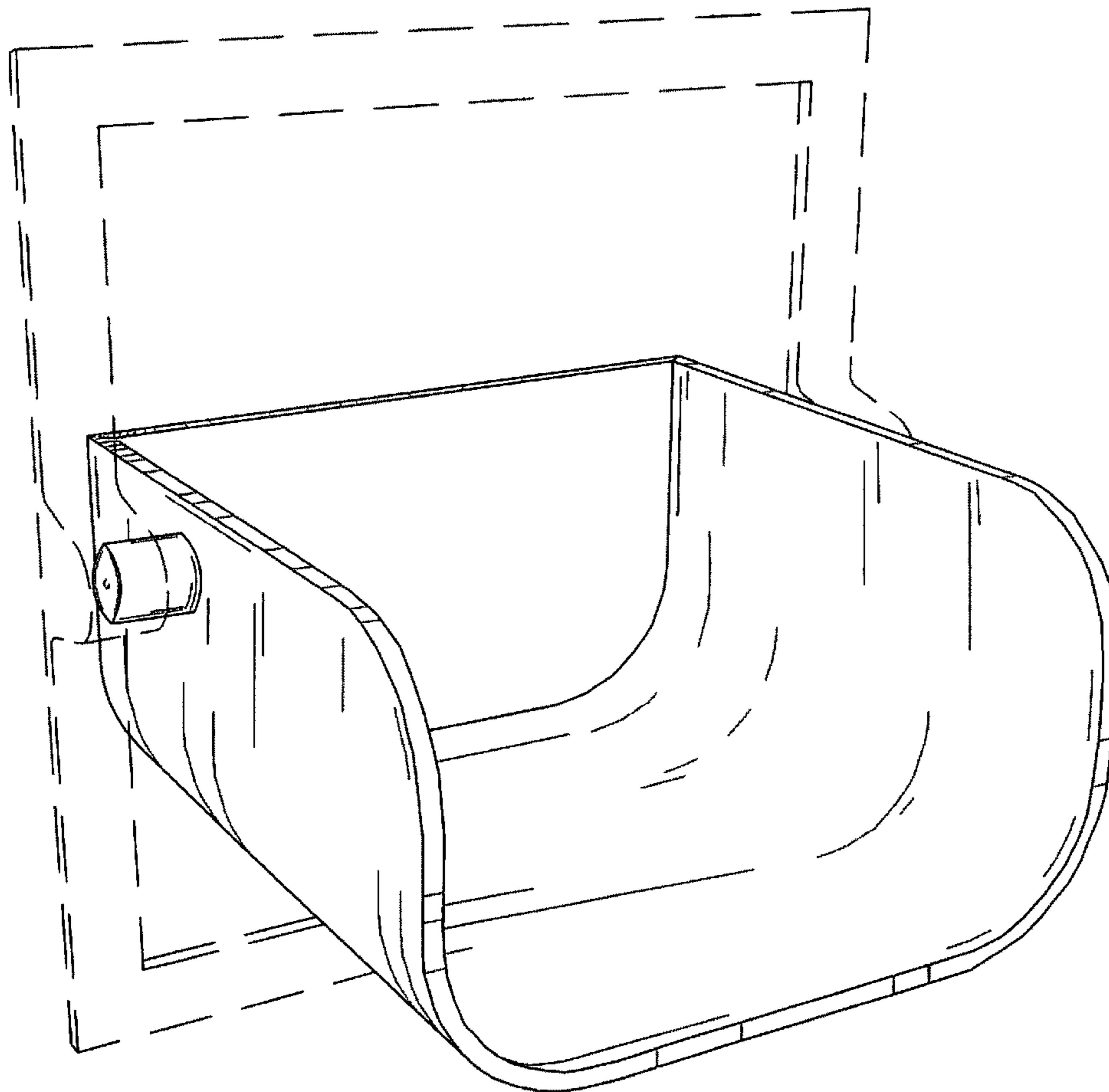
FIG. 1 is a front elevation view of a tissue paper roll caddy showing my new design;

FIG. 2 is a top plan view thereof;

FIG. 3 is a right side elevation view thereof; and,

FIG. 4 is an enlarged top, front, and left side perspective view thereof, the broken-line disclosure of a bathroom tissue fixture being understood to be for illustrative purposes only and forming no part of the claimed design.

**1 Claim, 2 Drawing Sheets**



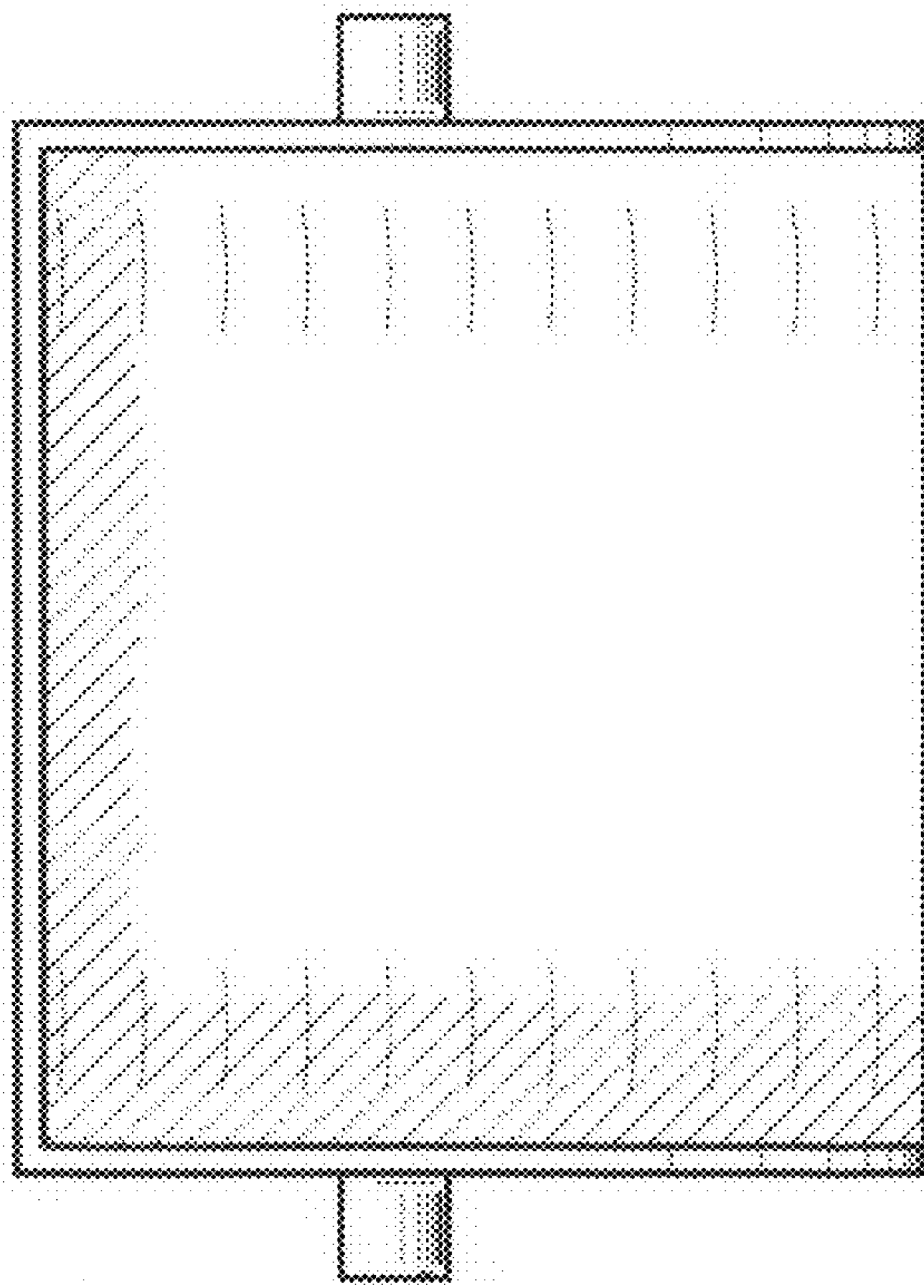


FIG. 2

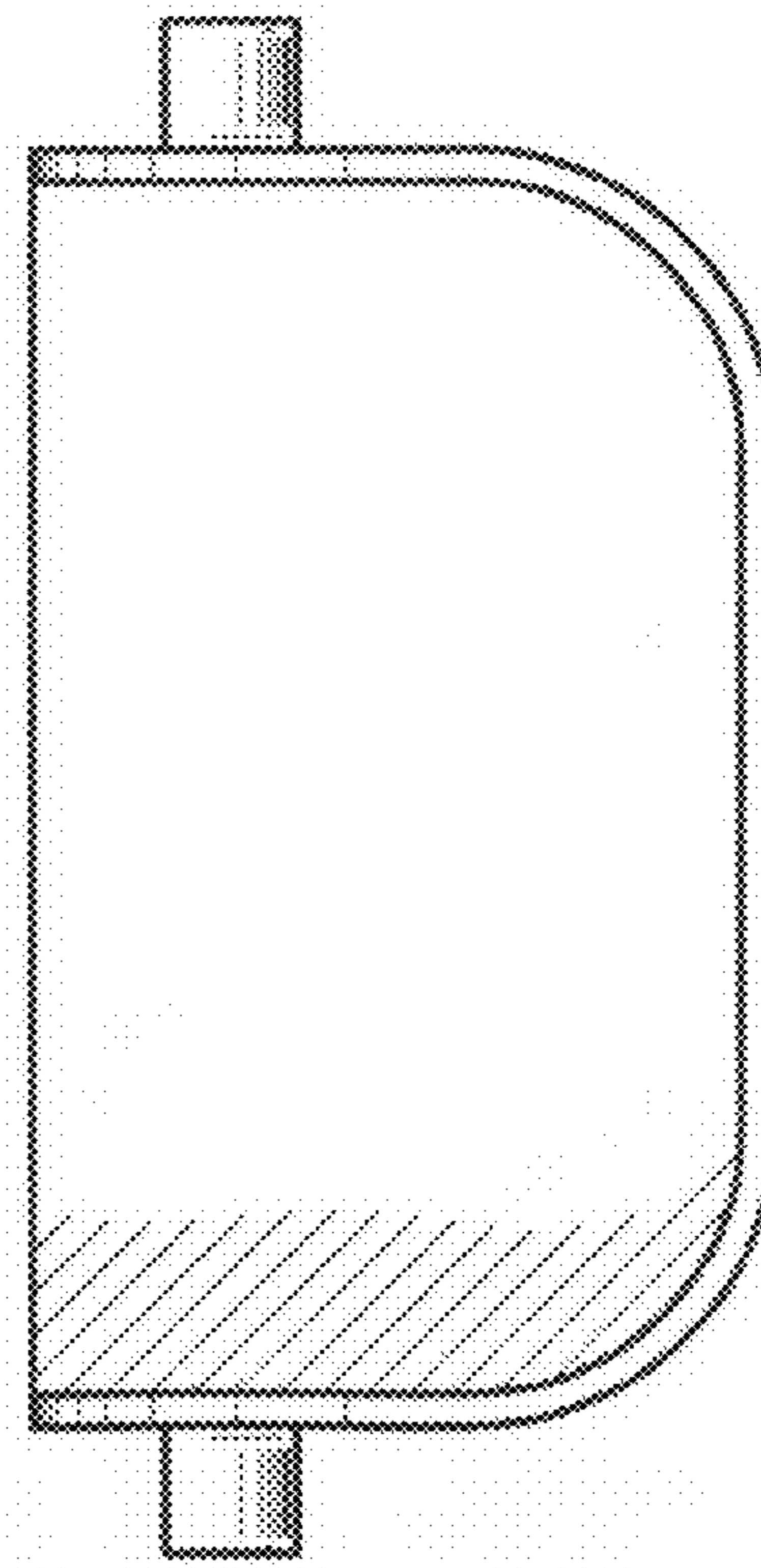


FIG. 1

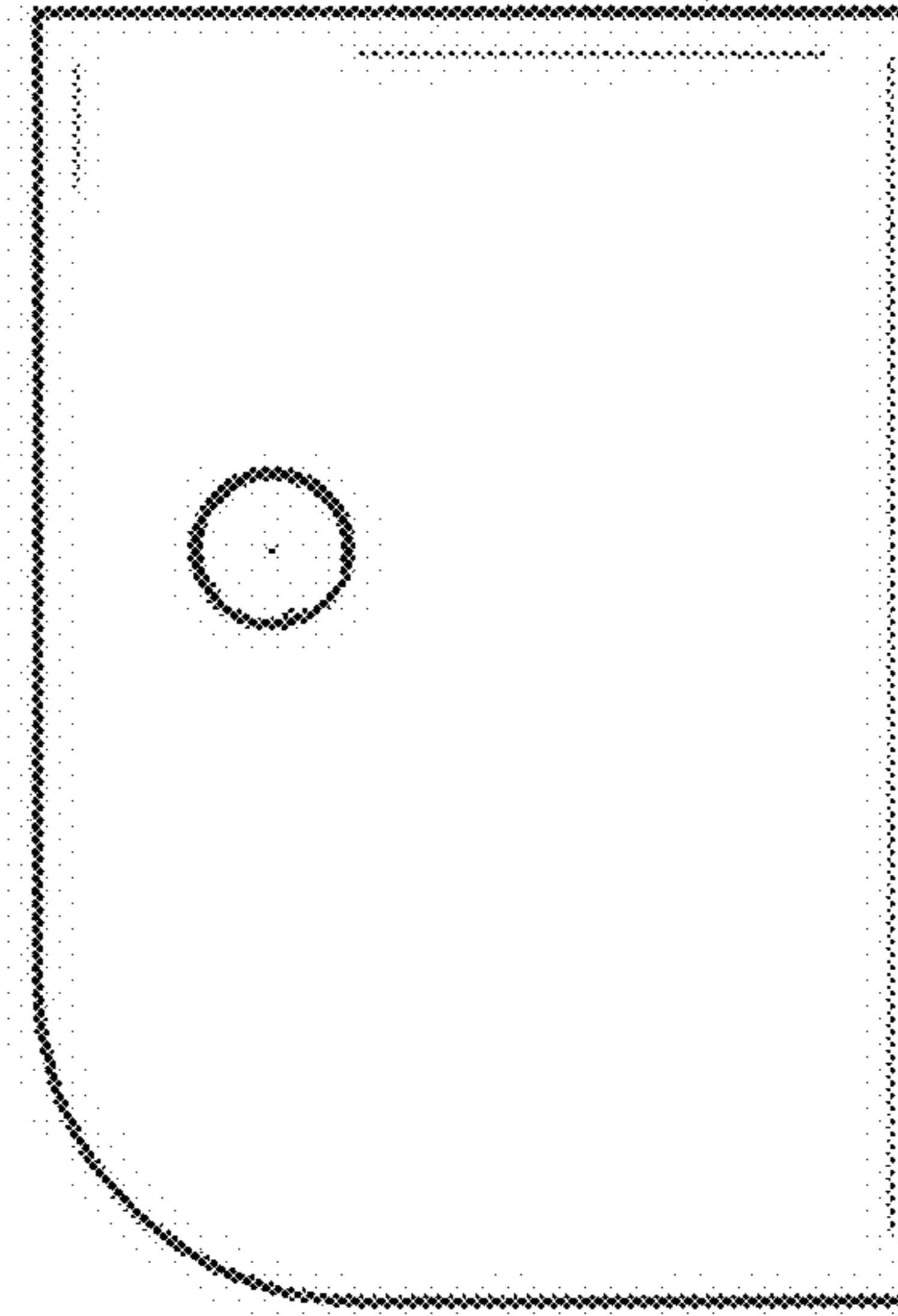


FIG. 3

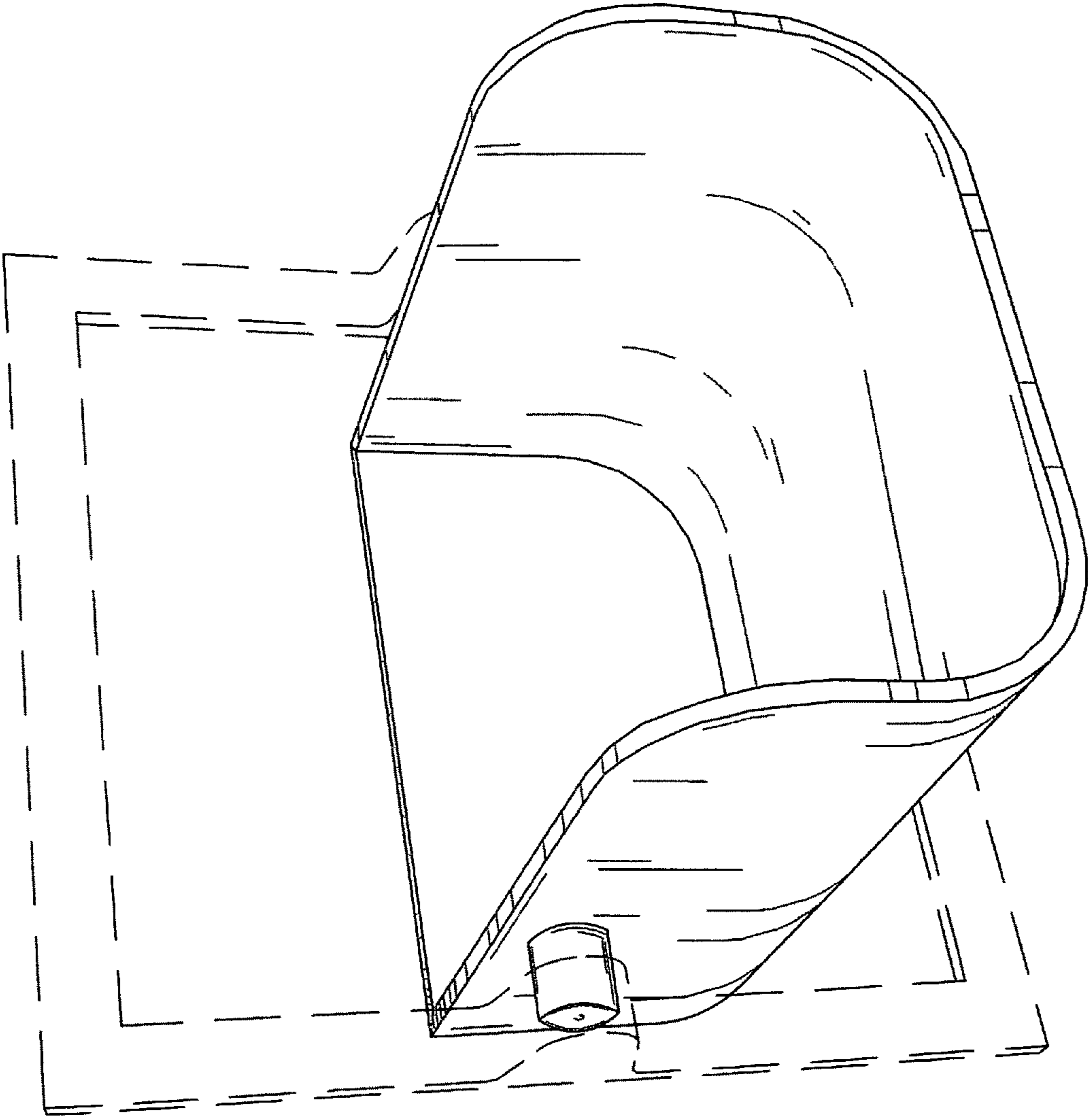


FIG. 4