



US00D618477S

(12) **United States Design Patent**
Beukema et al.

(10) **Patent No.:** **US D618,477 S**
(45) **Date of Patent:** **** Jun. 29, 2010**

(54) **ICONIC SUPPORT FOR A STORAGE BIN**

(75) Inventors: **Steven James Beukema**, Grand Rapids, MI (US); **Brett R. Kincaid**, Lowell, MI (US)

(73) Assignee: **Steelcase Inc.**, Grand Rapids, MI (US)

(**) Term: **14 Years**

(21) Appl. No.: **29/336,872**

(22) Filed: **May 11, 2009**

Related U.S. Application Data

(62) Division of application No. 29/260,268, filed on May 23, 2006, now Pat. No. Des. 596,880.

(51) **LOC (9) Cl.** **06-06**

(52) **U.S. Cl.** **D6/495**

(58) **Field of Classification Search** D3/297;
D6/397, 422, 426, 432, 436-440, 445-448,
D6/470, 477-479, 484, 491, 509, 511, 570;
5/2.1; 108/90, 50.02, 106, 147, 153.1, 155,
108/186; 312/108-111, 140.1, 195-196,
312/204, 237, 249.4-249.5, 257.1, 265.4,
312/330.1, 348.31

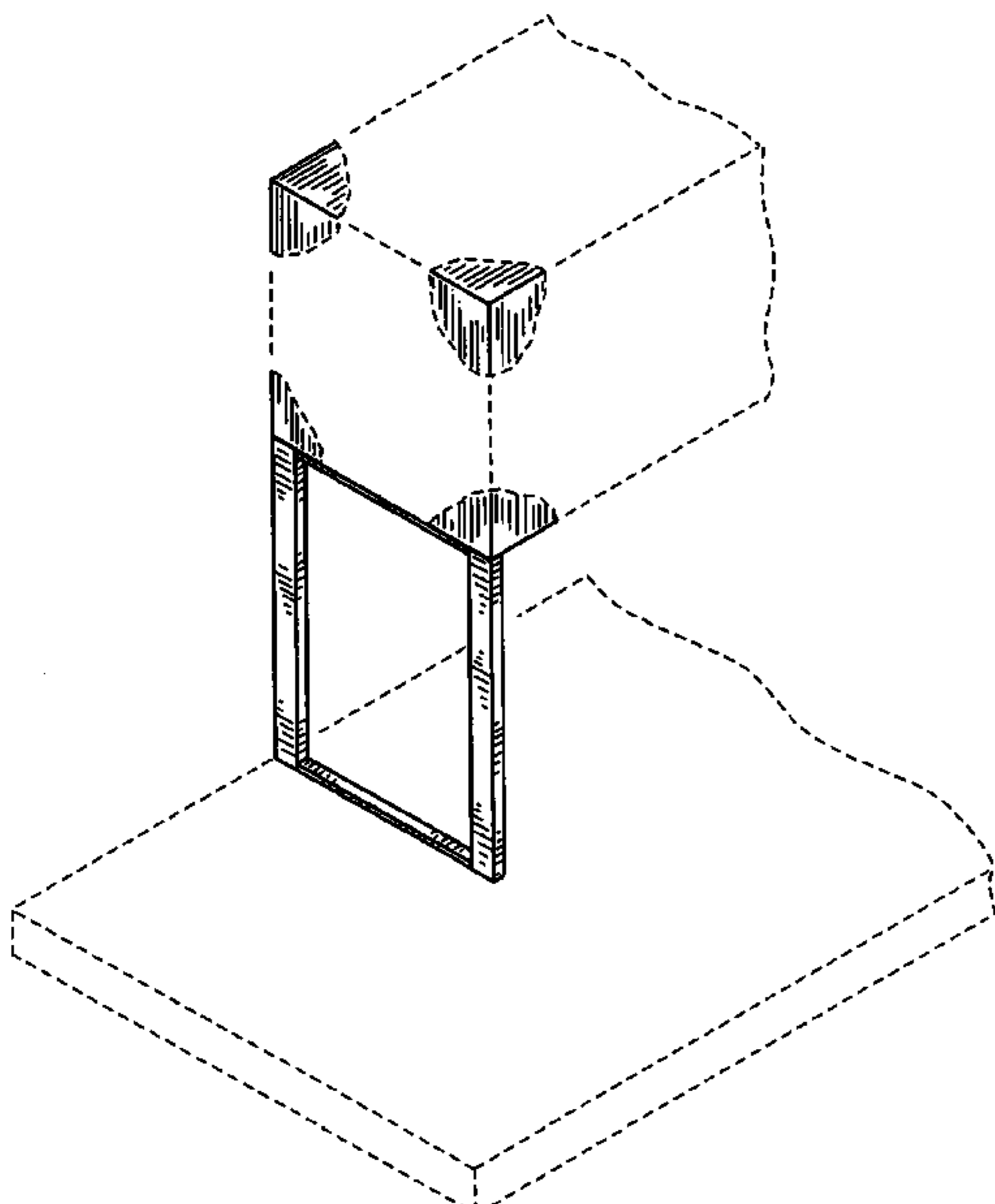
See application file for complete search history.

(56) **References Cited**

U.S. PATENT DOCUMENTS

D948,377	2/1910	Prouty	
3,226,172	A *	12/1965	Bateman 312/140.1
3,606,506	A *	9/1971	Ungaro 312/111
3,920,299	A	11/1975	Propst et al.
4,699,067	A *	10/1987	Okopny 108/186
D303,999	S *	10/1989	Hansson D3/297

(Continued)



FOREIGN PATENT DOCUMENTS

JP 8299060 11/1996

Primary Examiner—Caron Veynar

Assistant Examiner—Ricky Pham

(74) *Attorney, Agent, or Firm*—Quarles & Brady, LLC

(57) **CLAIM**

The ornamental design for an iconic support for a storage bin, as shown and described.

DESCRIPTION

FIG. 1 is a front, left, upper perspective view of an iconic support for a storage bin embodying our new design;

FIG. 2 is a left side elevational view thereof, the right side elevational view being identical;

FIG. 3 is a front elevational view thereof, the rear elevational view being a mirror image thereof;

FIG. 4 is a top plan view thereof;

FIG. 5 is a bottom plan view thereof;

FIG. 6 is a front, left, upper perspective view of a second embodiment of an iconic support for a storage bin embodying our new design, the top plan view being identical to FIG. 4, the bottom plan view being identical to FIG. 5;

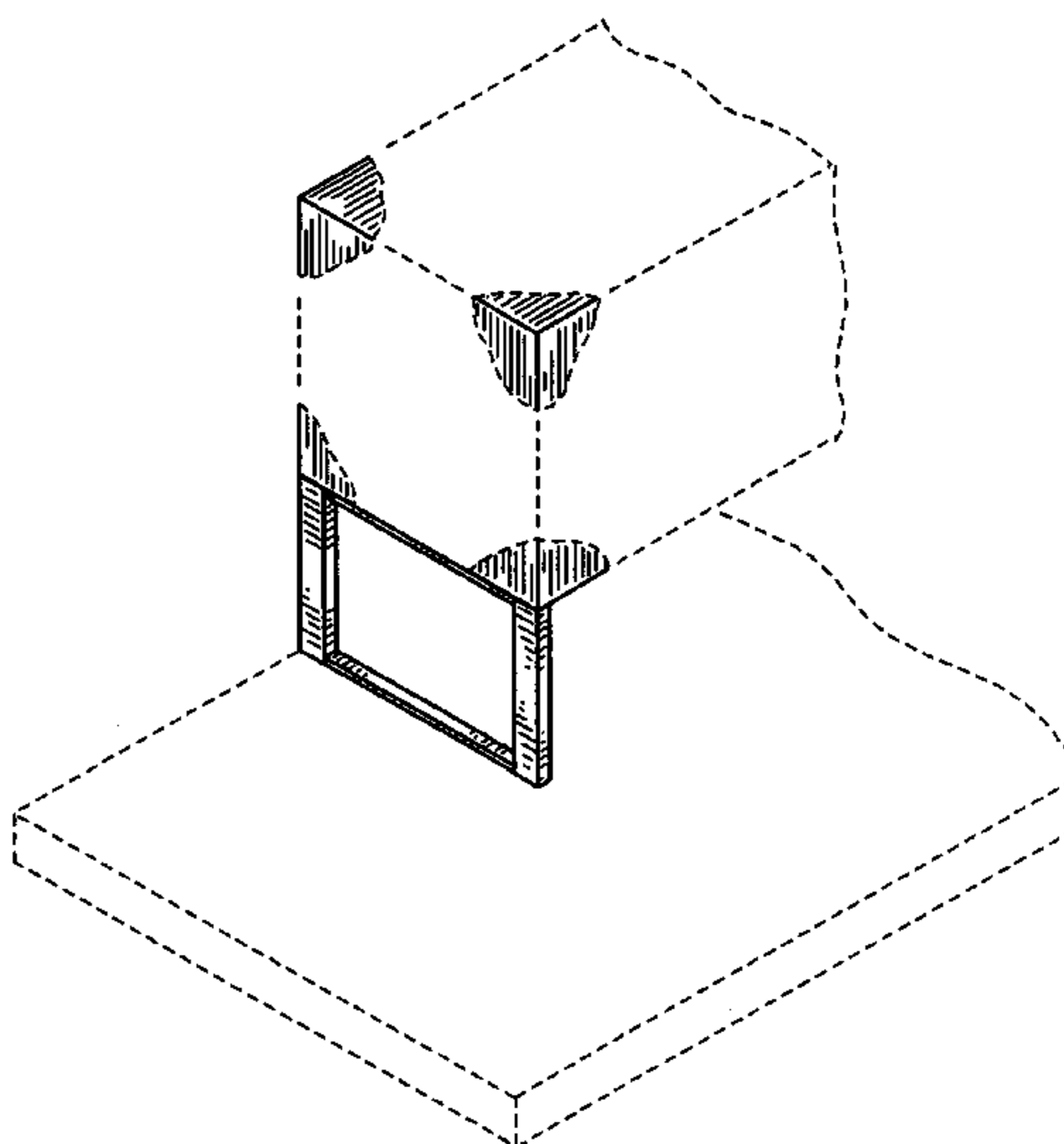
FIG. 7 is a left side elevational view thereof, the right side elevational view being identical; and,

FIG. 8 is a front elevational view thereof, the rear elevational view being a mirror image thereof.

The broken lines shown in the drawings are for illustrative purposes only and form no part of the claimed design.

In a preferred embodiment, the nature of this product is an iconic support for a storage bin that is located above a work-surface such as a desk.

1 Claim, 4 Drawing Sheets



US D618,477 S

Page 2

U.S. PATENT DOCUMENTS

4,883,330	A *	11/1989	Armstrong et al.	312/195	6,119,605	A *	9/2000	Agee	108/147
5,024,167	A *	6/1991	Hayward	108/50.02	D437,716	S *	2/2001	Chau et al.	D6/509
5,094,174	A *	3/1992	Grund et al.	108/153.1	D441,563	S *	5/2001	Chau et al.	D6/422
5,183,319	A	2/1993	Pearson et al.		6,681,705	B2 *	1/2004	Wetterberg	108/155
5,546,873	A *	8/1996	Conner et al.	108/90	D508,353	S *	8/2005	Brandon	D6/511
5,588,376	A *	12/1996	Seidl et al.	108/106	D508,621	S *	8/2005	Brandon	D6/426
5,606,919	A *	3/1997	Fox et al.	108/50.02	7,077,068	B1 *	7/2006	Agee	108/147
5,609,402	A *	3/1997	Kemp	312/265.4	D547,097	S *	7/2007	Bastian et al.	D6/491
D406,964	S *	3/1999	Lewis	D6/485	D549,492	S *	8/2007	Sheppard	D6/485
5,983,420	A *	11/1999	Tilley	5/2.1	D573,388	S *	7/2008	Auciello	D6/570
D427,814	S *	7/2000	Black	D6/484	2005/0189851	A1 *	9/2005	Martin et al.	312/196

* cited by examiner

FIG. 1

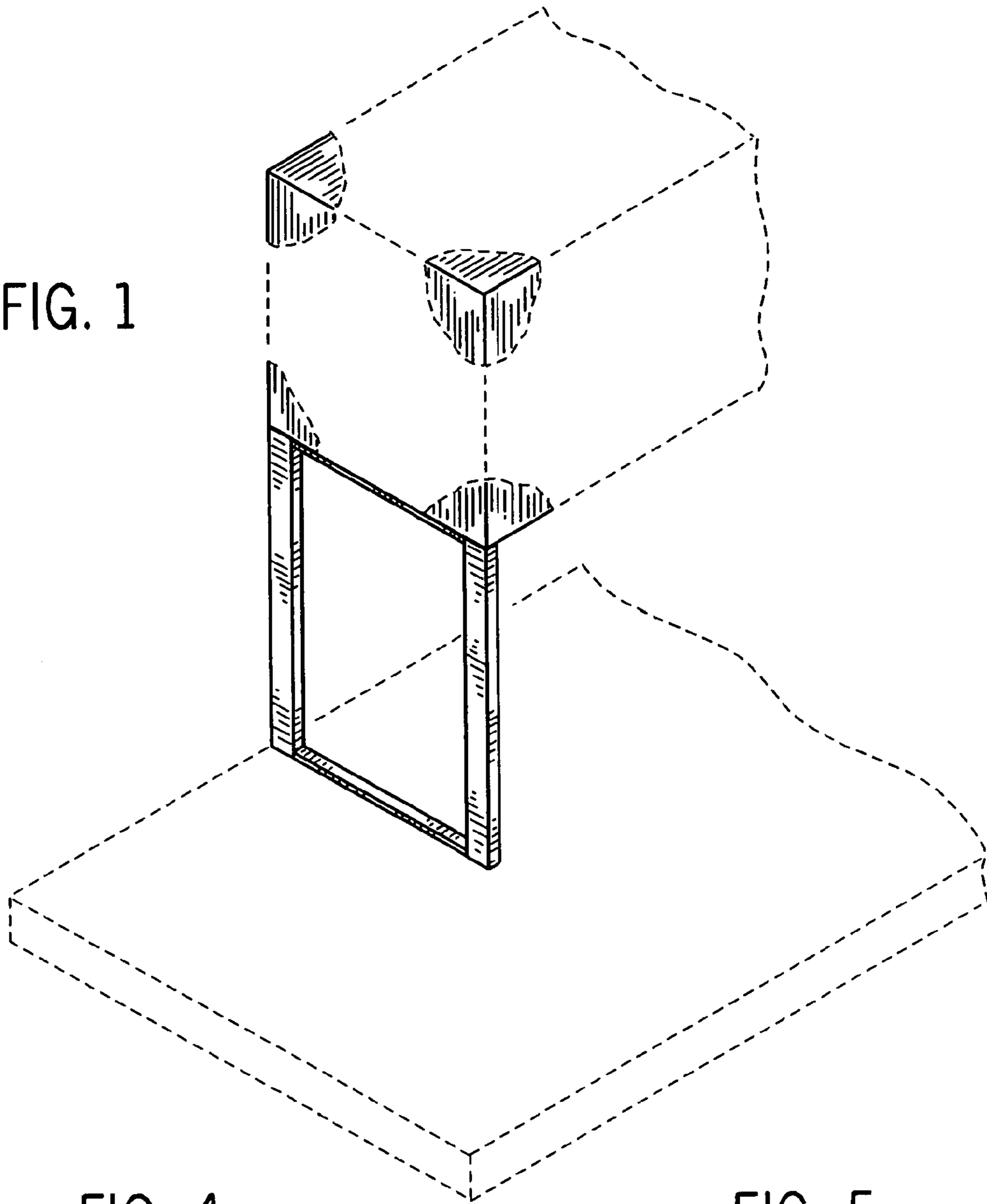


FIG. 4

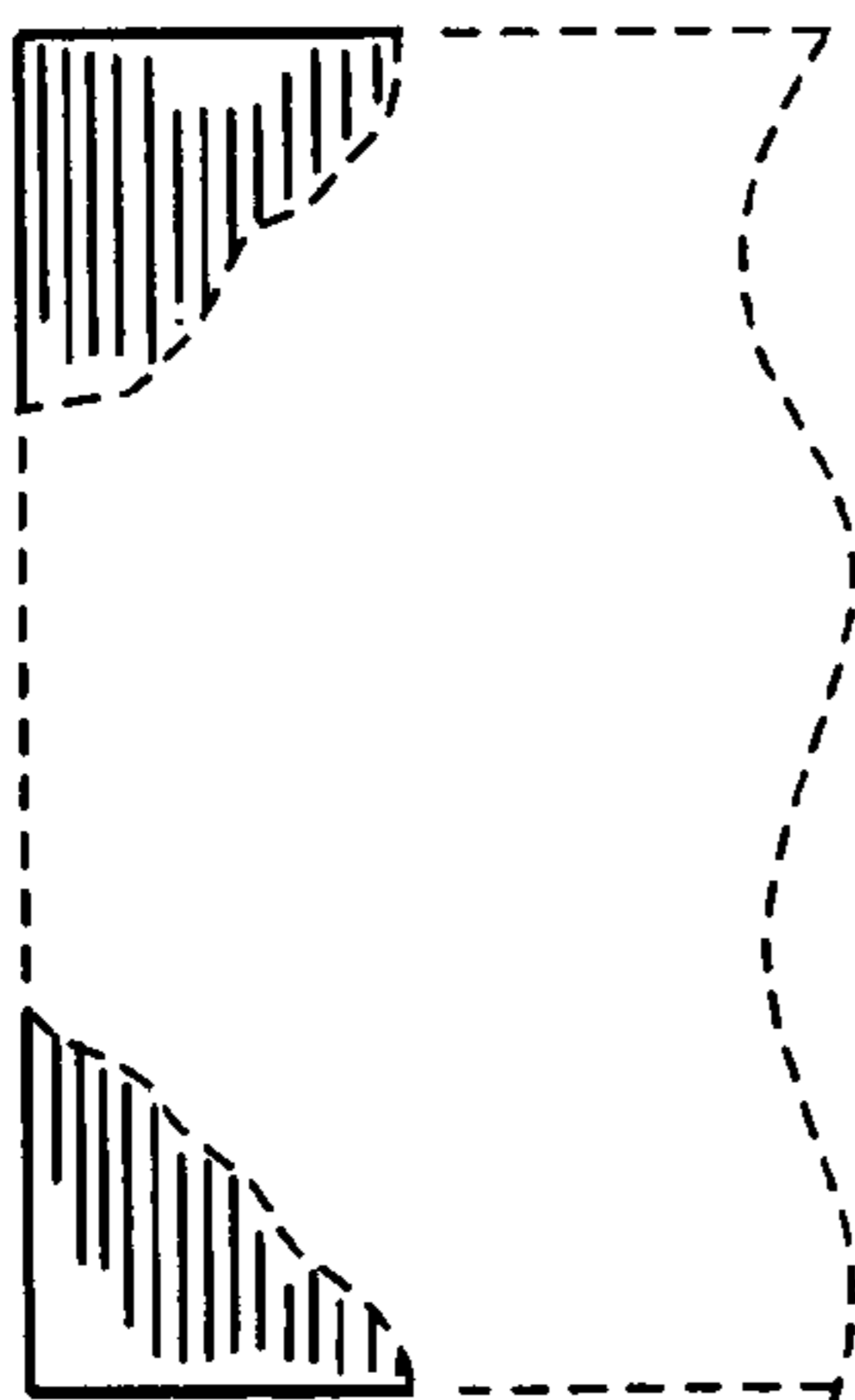
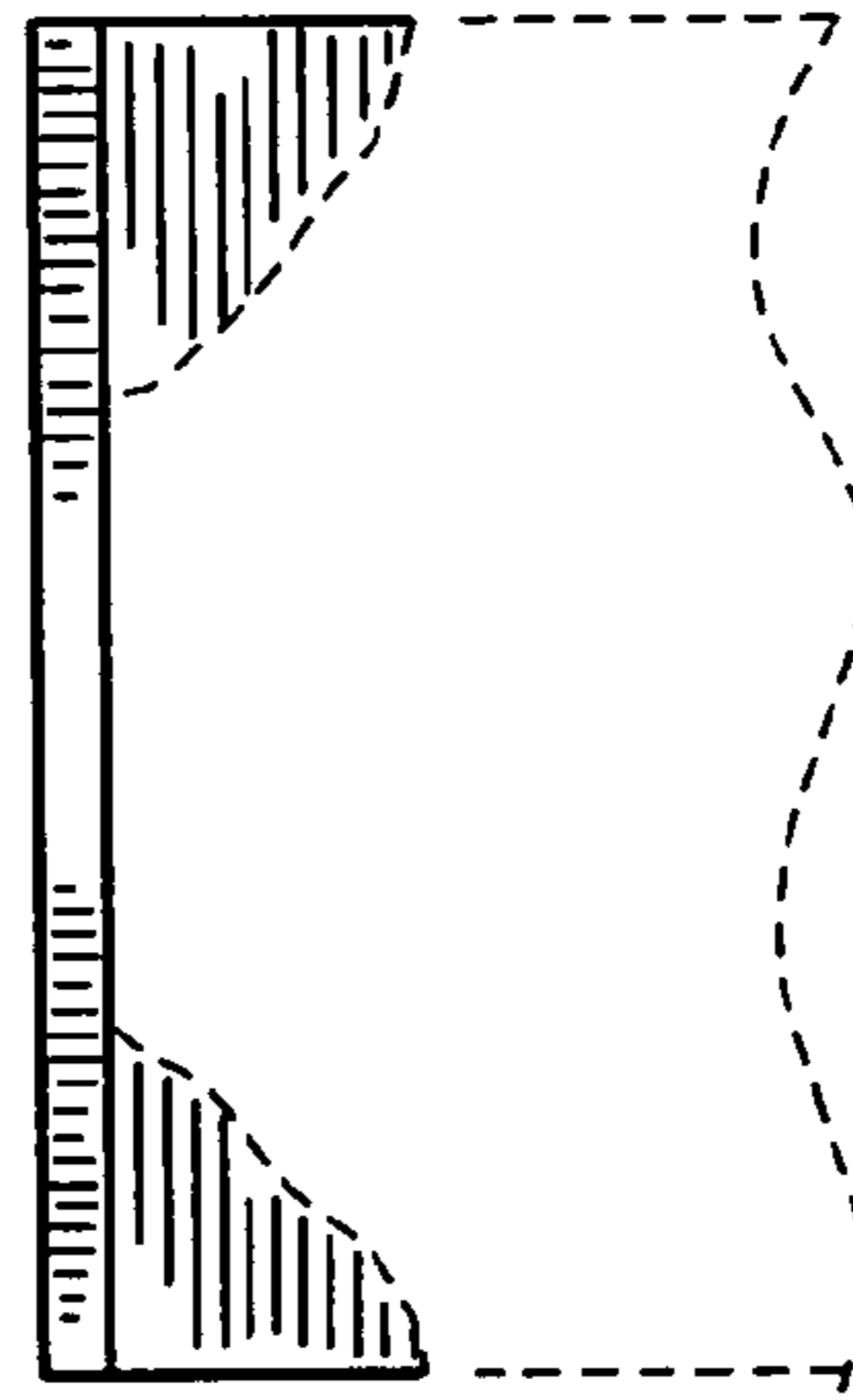


FIG. 5



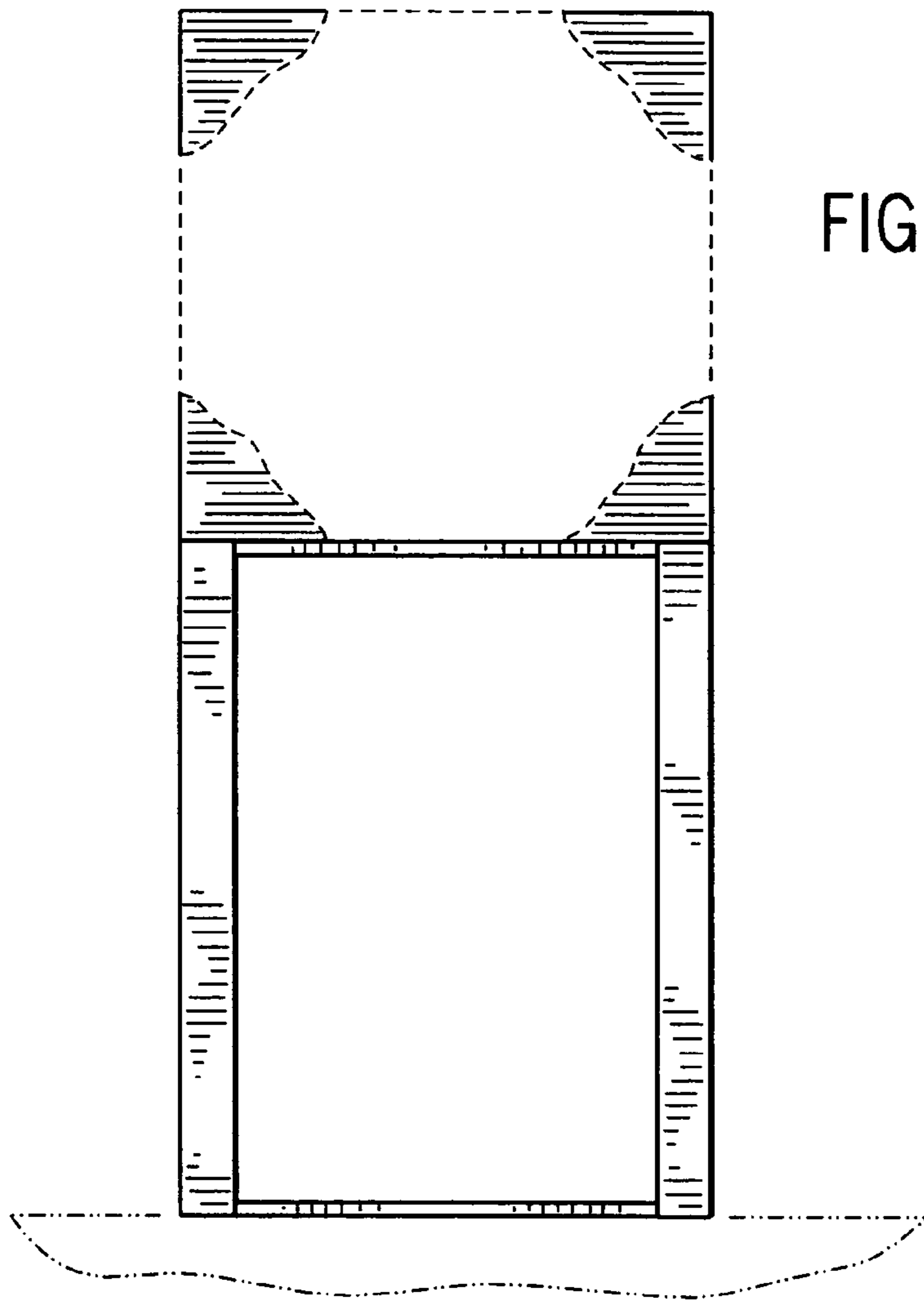


FIG. 2

FIG. 3

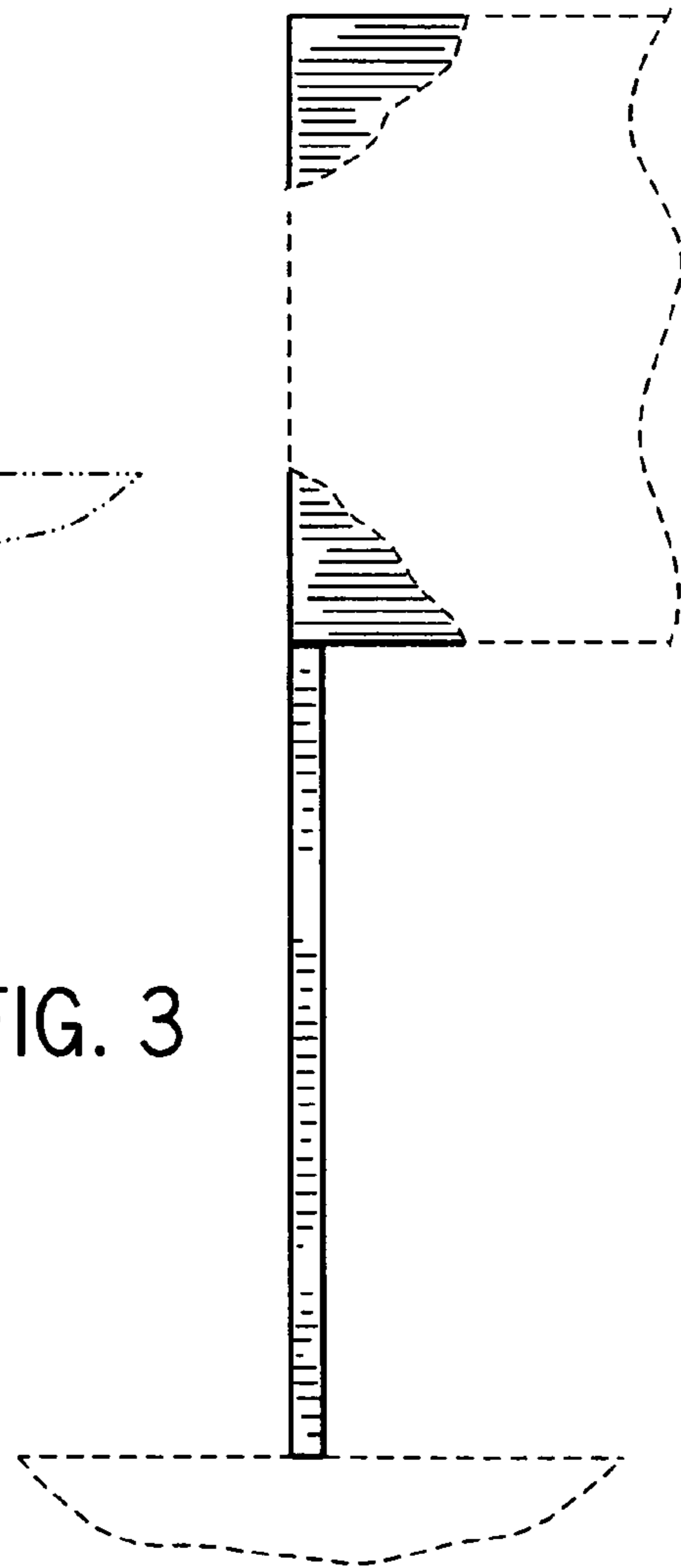
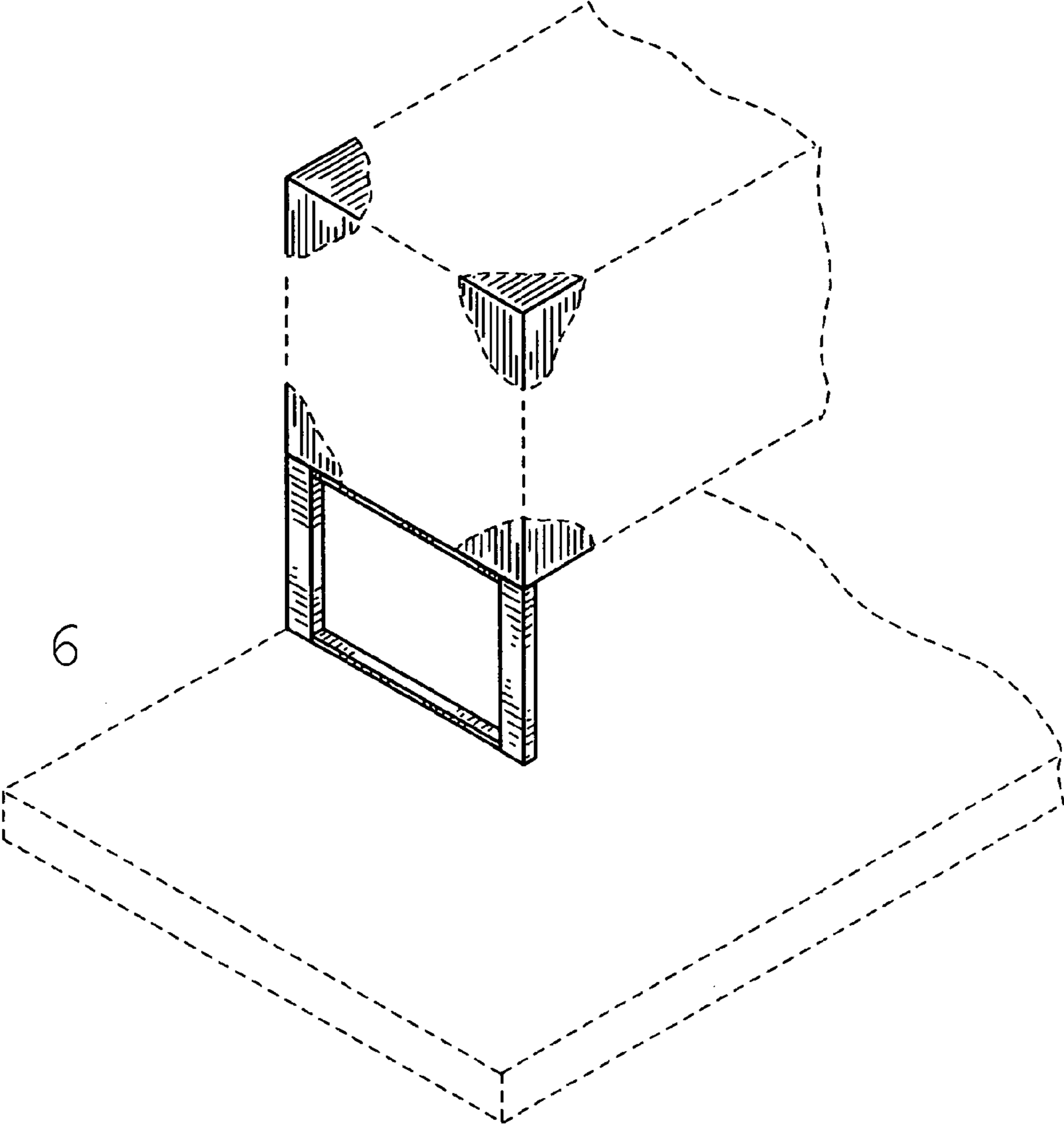


FIG. 6



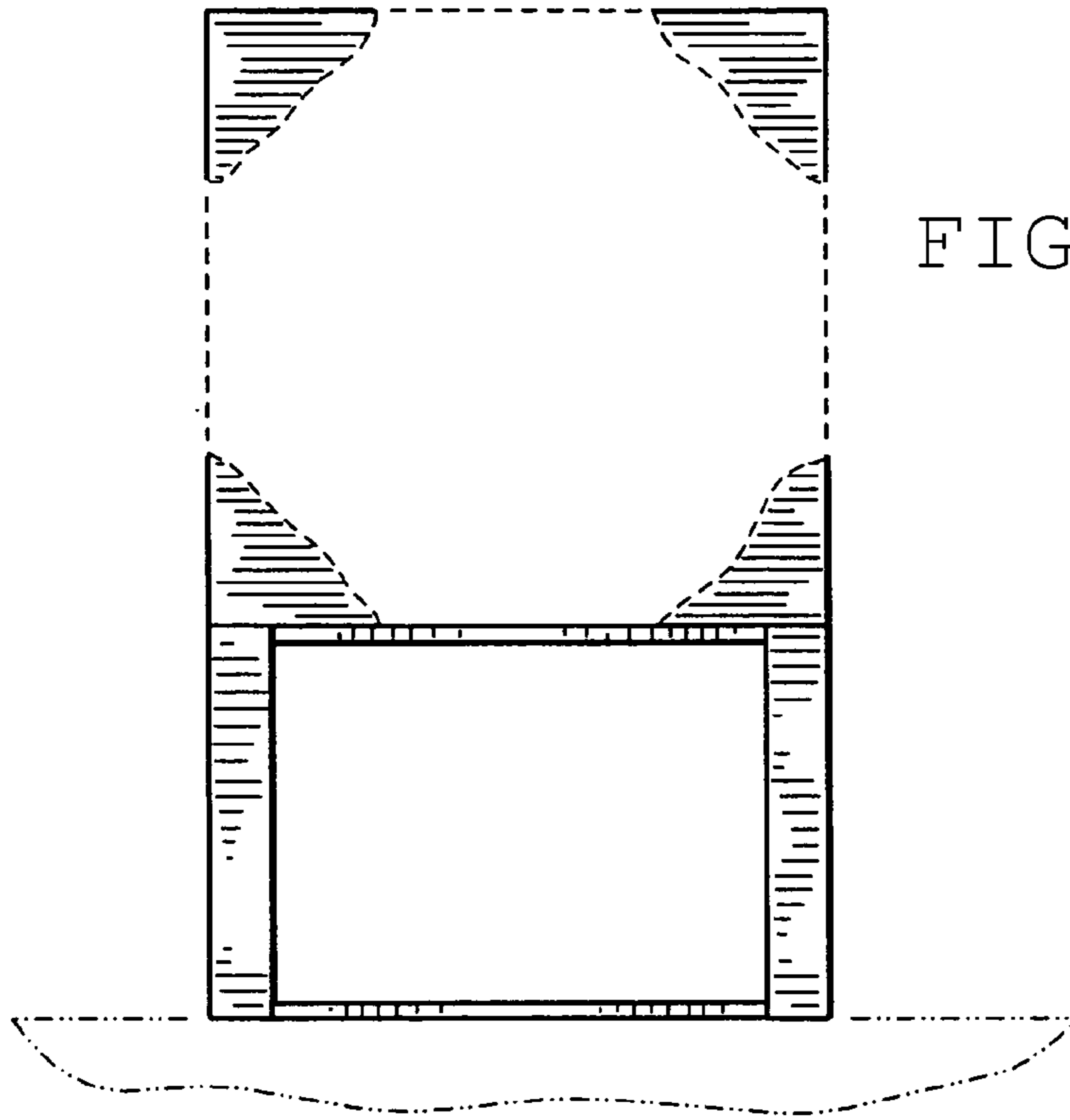


FIG. 7

FIG. 8

