



US00D618476S

(12) **United States Design Patent**  
**Maddux**

(10) **Patent No.:** **US D618,476 S**

(45) **Date of Patent:** **\*\* Jun. 29, 2010**

(54) **FOOD PAN SUPPORT**

(75) Inventor: **Larry Maddux**, Westminster, CA (US)

(73) Assignee: **Cambro Manufacturing Co.**,  
Huntington Beach, CA (US)

(\*\*) Term: **14 Years**

(21) Appl. No.: **29/340,017**

(22) Filed: **Jul. 13, 2009**

(51) **LOC (9) Cl.** ..... **06-06**

(52) **U.S. Cl.** ..... **D6/491; D6/511**

(58) **Field of Classification Search** ..... D6/397,  
D6/481, 491, 509, 511; D7/366, 387, 388,  
D7/402, 553.2, 554.3; 312/283, 284, 236,  
312/140.1, 116

See application file for complete search history.

(56) **References Cited**

**U.S. PATENT DOCUMENTS**

D280,293 S *	8/1985	D'Amour et al. ....	D15/79
D396,956 S *	8/1998	Iversen et al. ....	D3/313
D438,029 S *	2/2001	Brey et al. ....	D6/406.3
D599,146 S *	9/2009	Chen et al. ....	D6/511

\* cited by examiner

*Primary Examiner*—Janice E Seeger

(74) *Attorney, Agent, or Firm*—George F. Bethel

(57) **CLAIM**

I claim the ornamental design for a food pan support, as shown and described.

**DESCRIPTION**

FIG. 1 shows a frontal perspective view of the food pan support.

FIG. 2 shows a front elevation view.

FIG. 3 shows a right side elevation view.

FIG. 4 shows a top plan view.

FIG. 5 shows a left side elevation view.

FIG. 6 shows a rear elevation view.

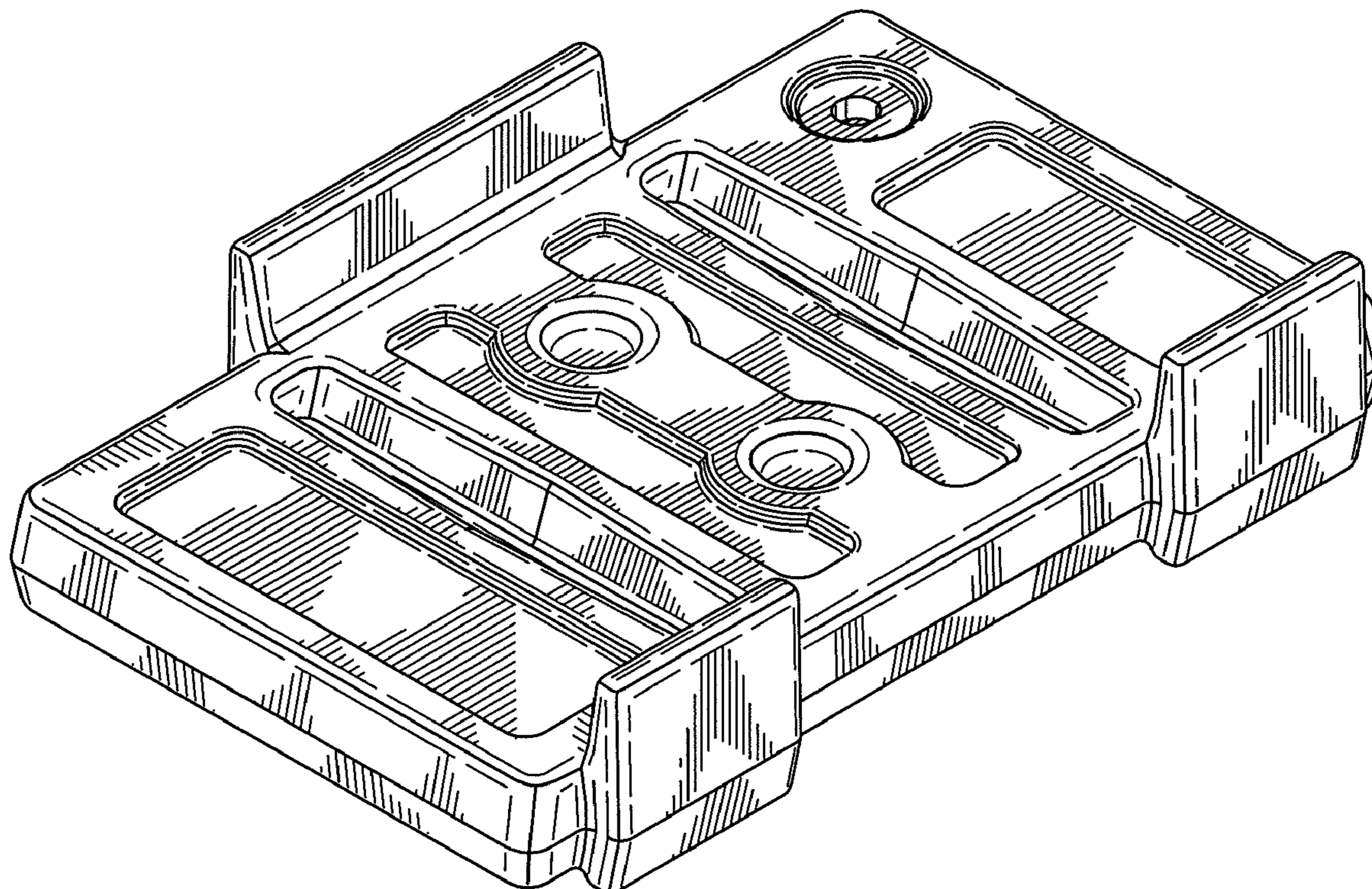
FIG. 7 shows a bottom plan view.

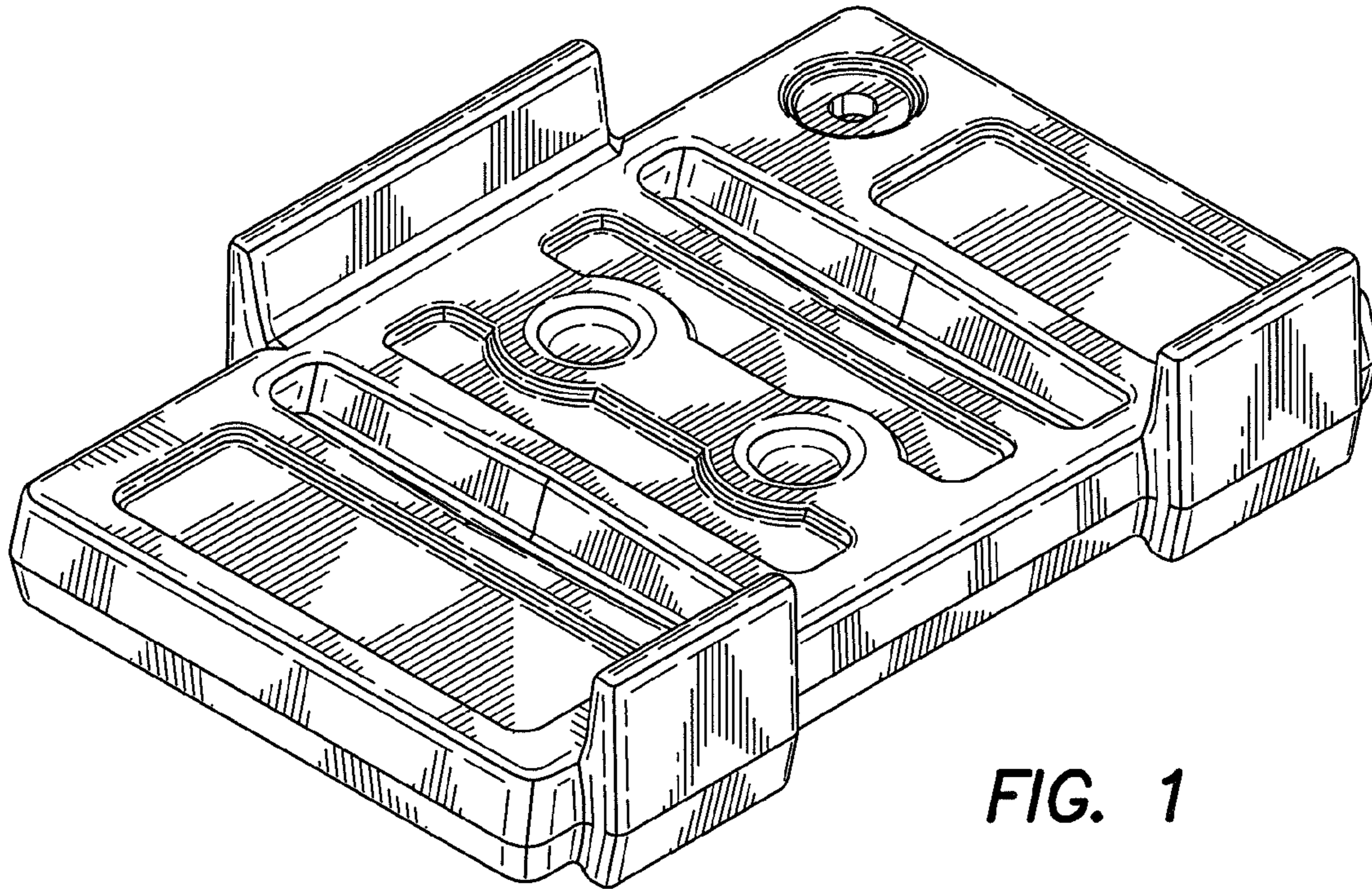
FIG. 8 is an end view thereof; and,

FIG. 9 is an end view in an alternate position.

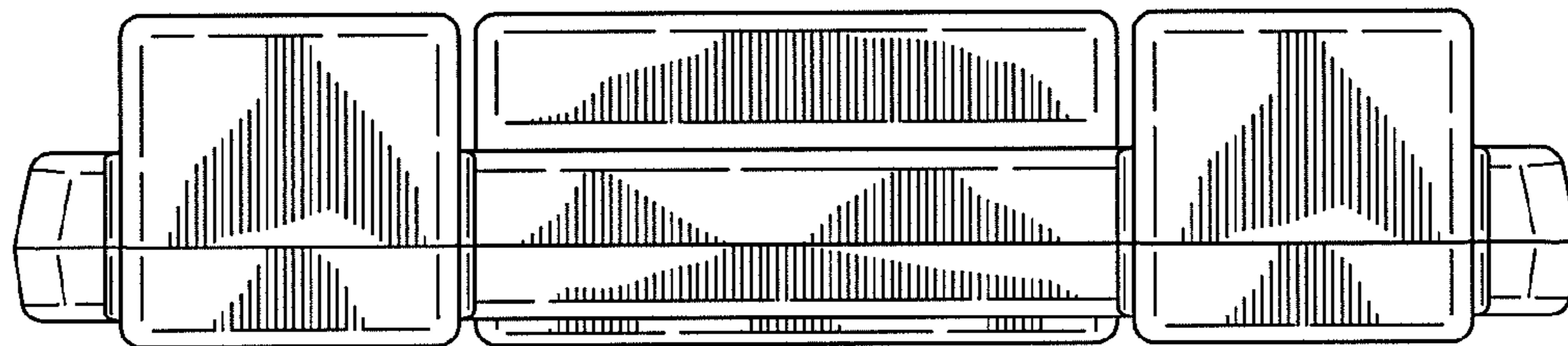
The broken lines are for environmental purposes only and form no part of the claimed design.

**1 Claim, 4 Drawing Sheets**

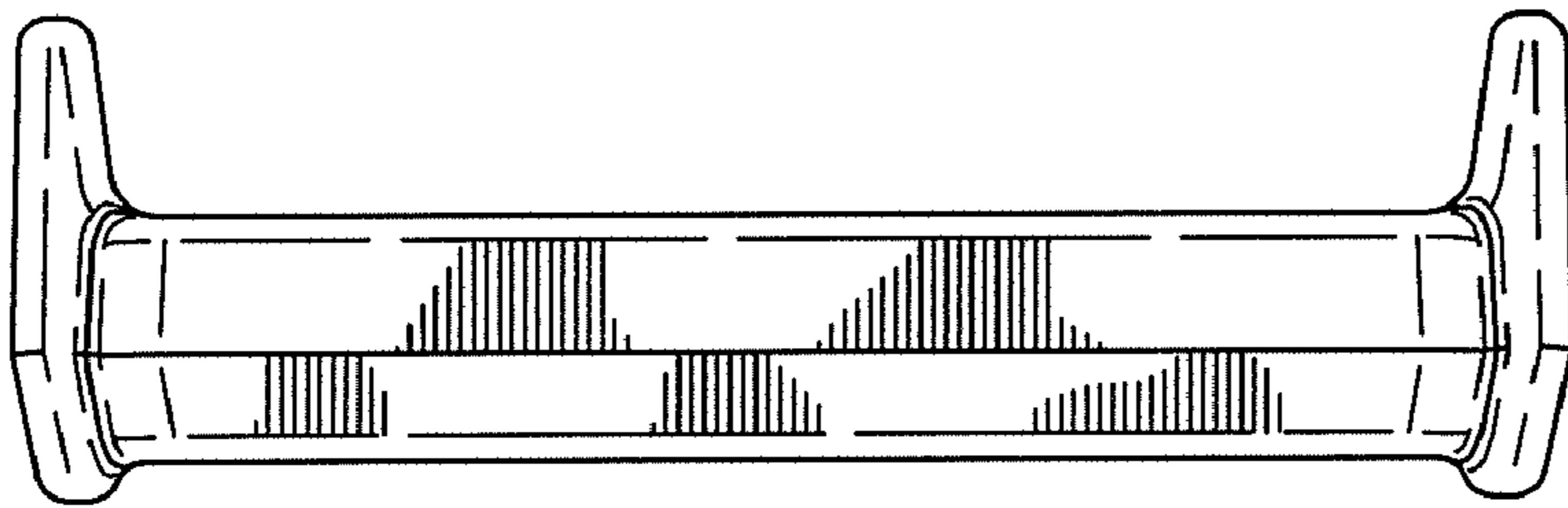




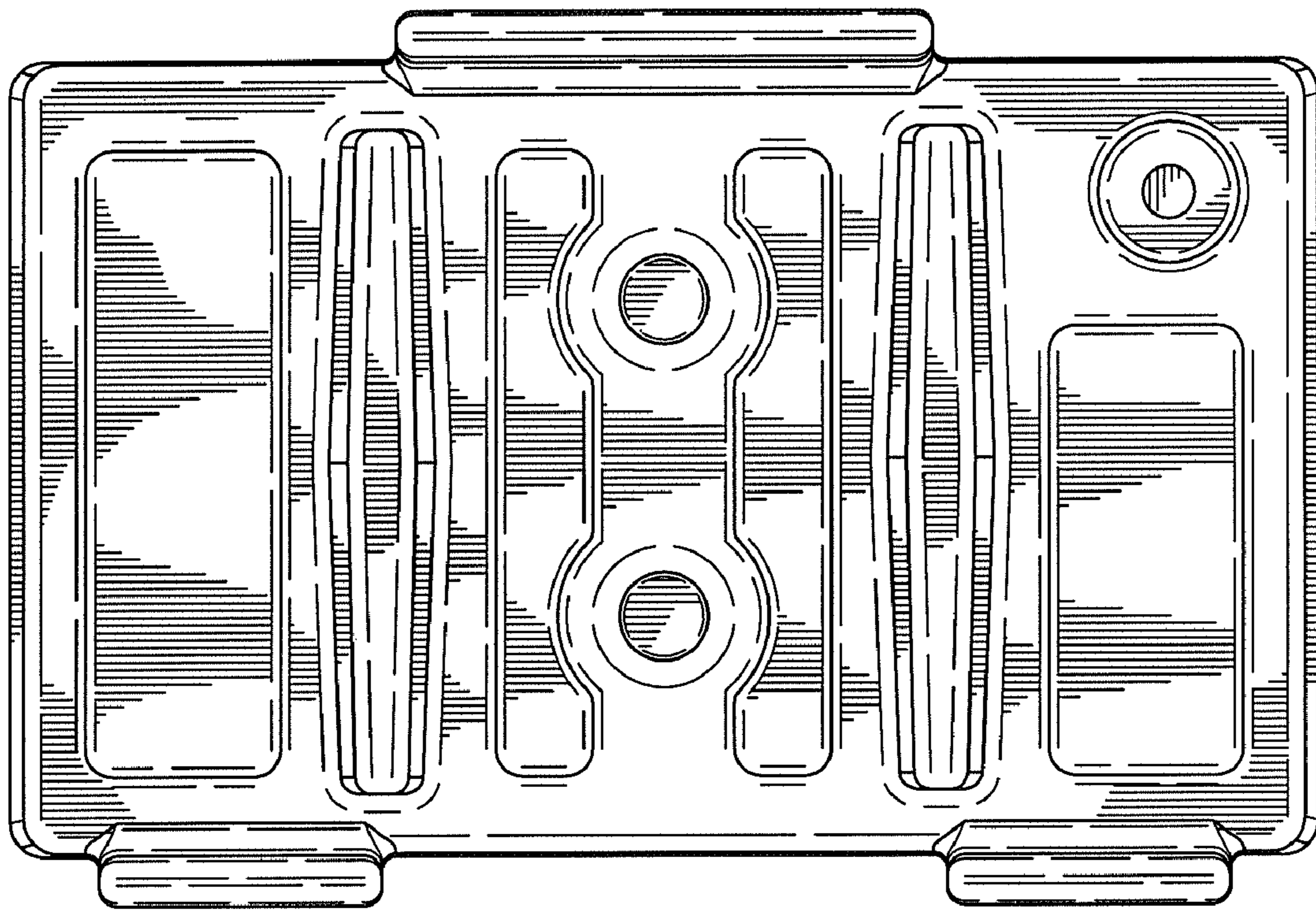
**FIG. 1**



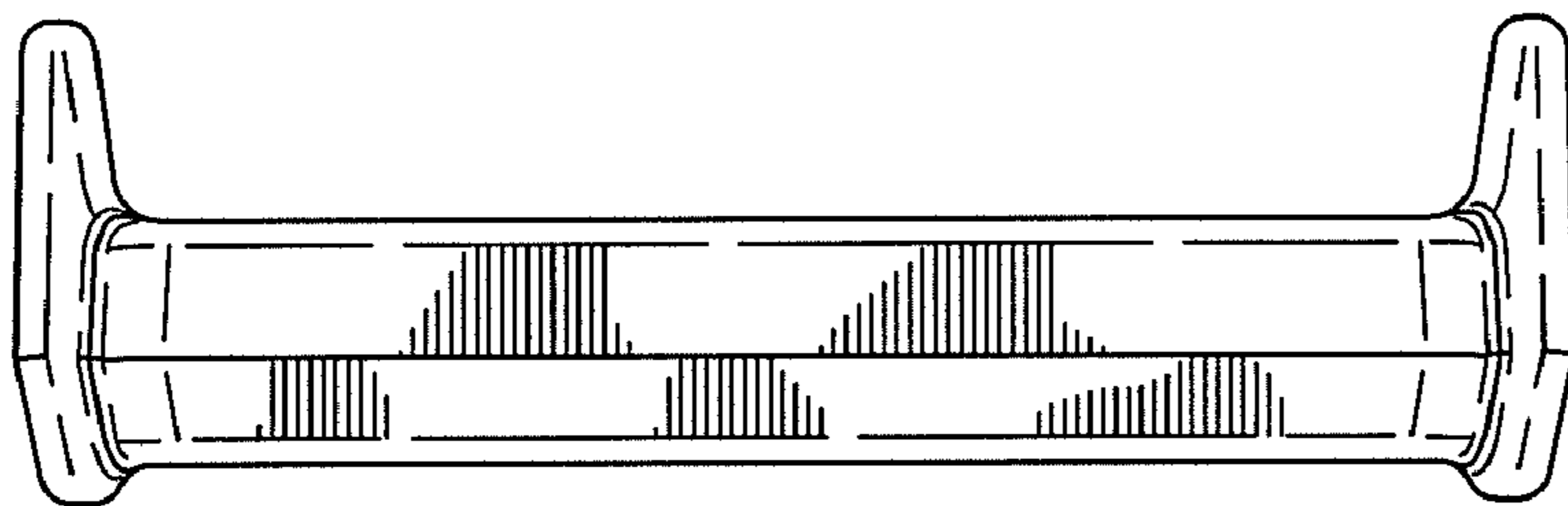
**FIG. 2**



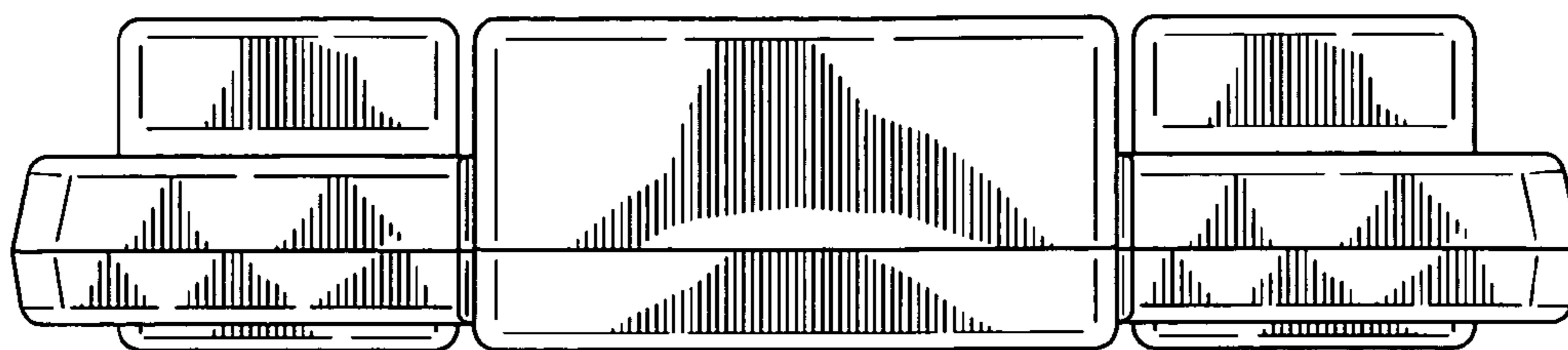
**FIG. 3**



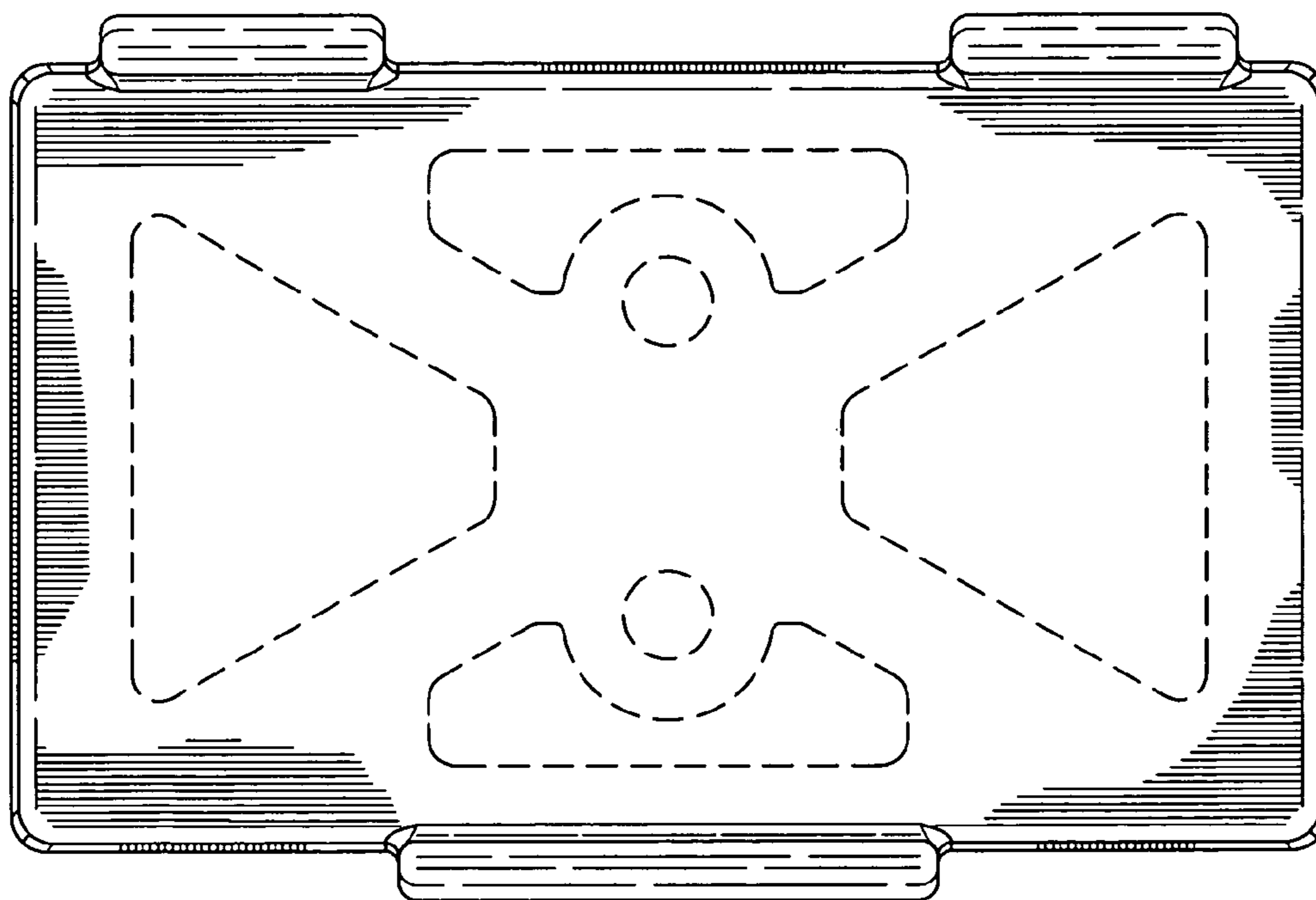
**FIG. 4**



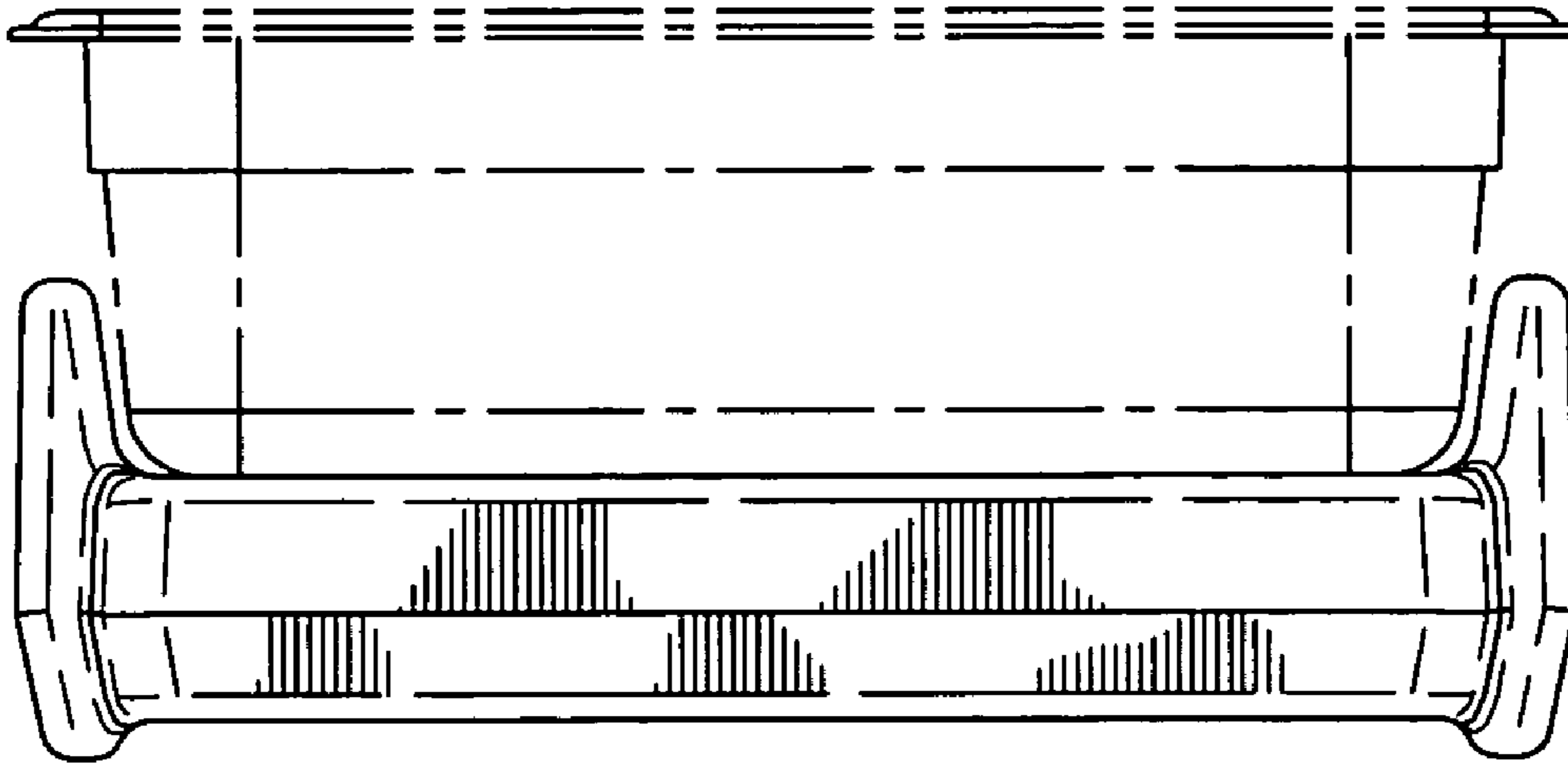
**FIG. 5**



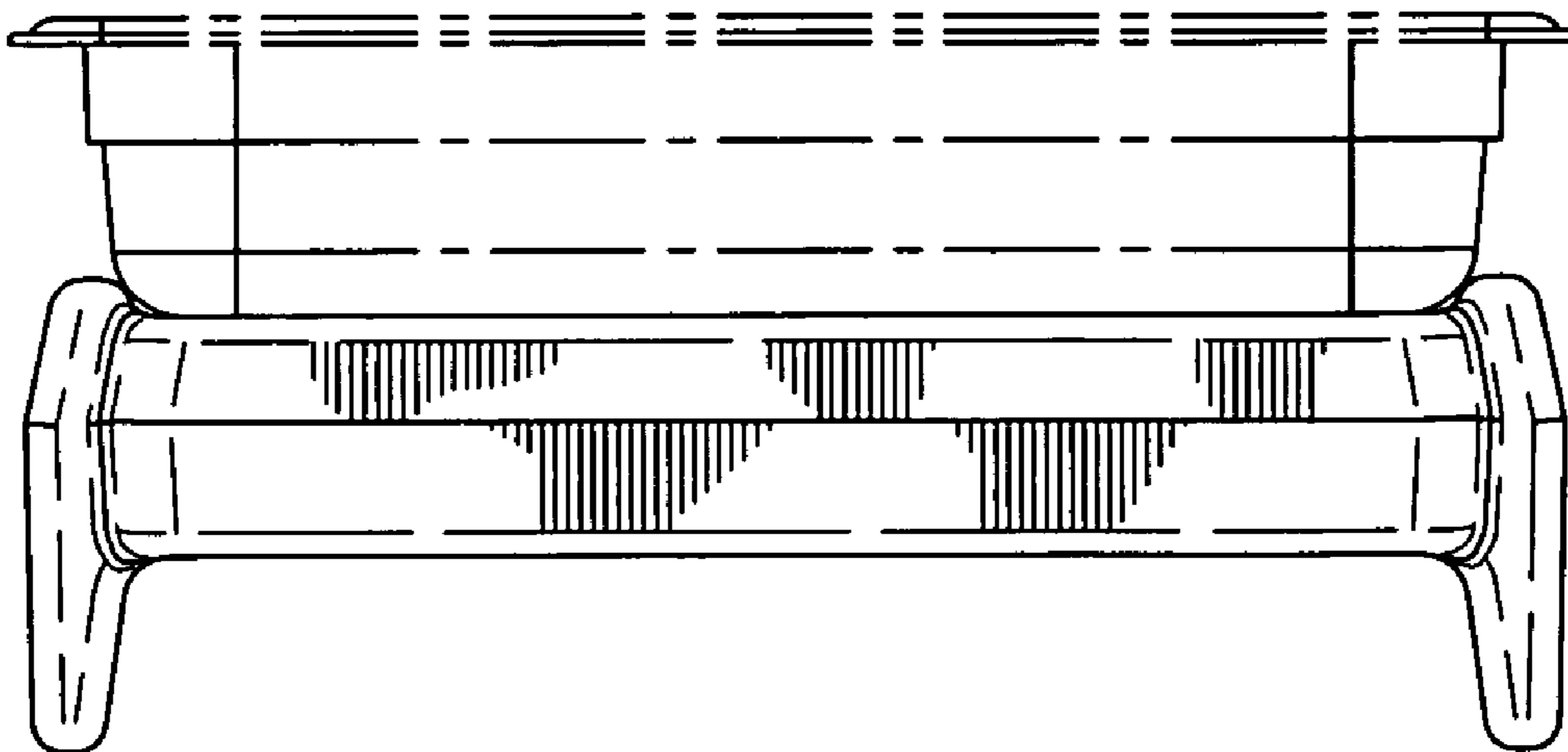
**FIG. 6**



**FIG. 7**



**FIG. 8**



**FIG. 9**