



US00D618473S

(12) **United States Design Patent**
Hernandez et al.

(10) **Patent No.:** **US D618,473 S**
(45) **Date of Patent:** **** Jun. 29, 2010**

(54) **POWER STATION FOR PERSONAL ELECTRONIC DEVICES**

(75) Inventors: **Hugo Alonso Hernandez**, Fort Worth, TX (US); **David Michael Herrera**, North Richland Hills, TX (US); **Chad Tyler Wadley**, Frisco, TX (US)

(73) Assignee: **Southwest Airlines Co.**, Dallas, TX (US)

(**) Term: **14 Years**

(21) Appl. No.: **29/344,347**

(22) Filed: **Sep. 28, 2009**

Related U.S. Application Data

(62) Division of application No. 29/320,127, filed on Jun. 20, 2008.

(51) **LOC (9) Cl.** **06-03**

(52) **U.S. Cl.** **D6/480**

(58) **Field of Classification Search** D6/480-489, D6/495-499, 450, 429-431, 511, 422-426; 108/153.1, 155, 156, 50.01, 50.02, 147.19; 312/194-196, 203, 239

See application file for complete search history.

(56) **References Cited**

U.S. PATENT DOCUMENTS

2,748,954 A * 6/1956 Murren 108/91
D313,327 S * 1/1991 Prevedello et al. D6/484

D352,845 S * 11/1994 Hellwig et al. D6/422
D377,124 S * 1/1997 Stirling et al. D6/397
D399,079 S * 10/1998 Hylan D6/496
D412,415 S * 8/1999 Adler et al. D6/480
D496,184 S * 9/2004 Sapp D6/422
D504,253 S * 4/2005 Bouroullec et al. D6/480
2009/0165679 A1 * 7/2009 Bakker et al. 108/50.02

* cited by examiner

Primary Examiner—Janice E Seeger

(74) *Attorney, Agent, or Firm*—Fish & Richardson P.C.

(57) **CLAIM**

The ornamental design for a power station for personal electronic devices, as shown and described.

DESCRIPTION

FIG. 1 is a perspective view of a power station showing the top, front, and right sides my new design;

FIG. 2 is a second perspective view, showing the top, rear, and right sides thereof;

FIG. 3 is a front side view thereof;

FIG. 4 is a rear side view thereof;

FIG. 5 is a left side view thereof;

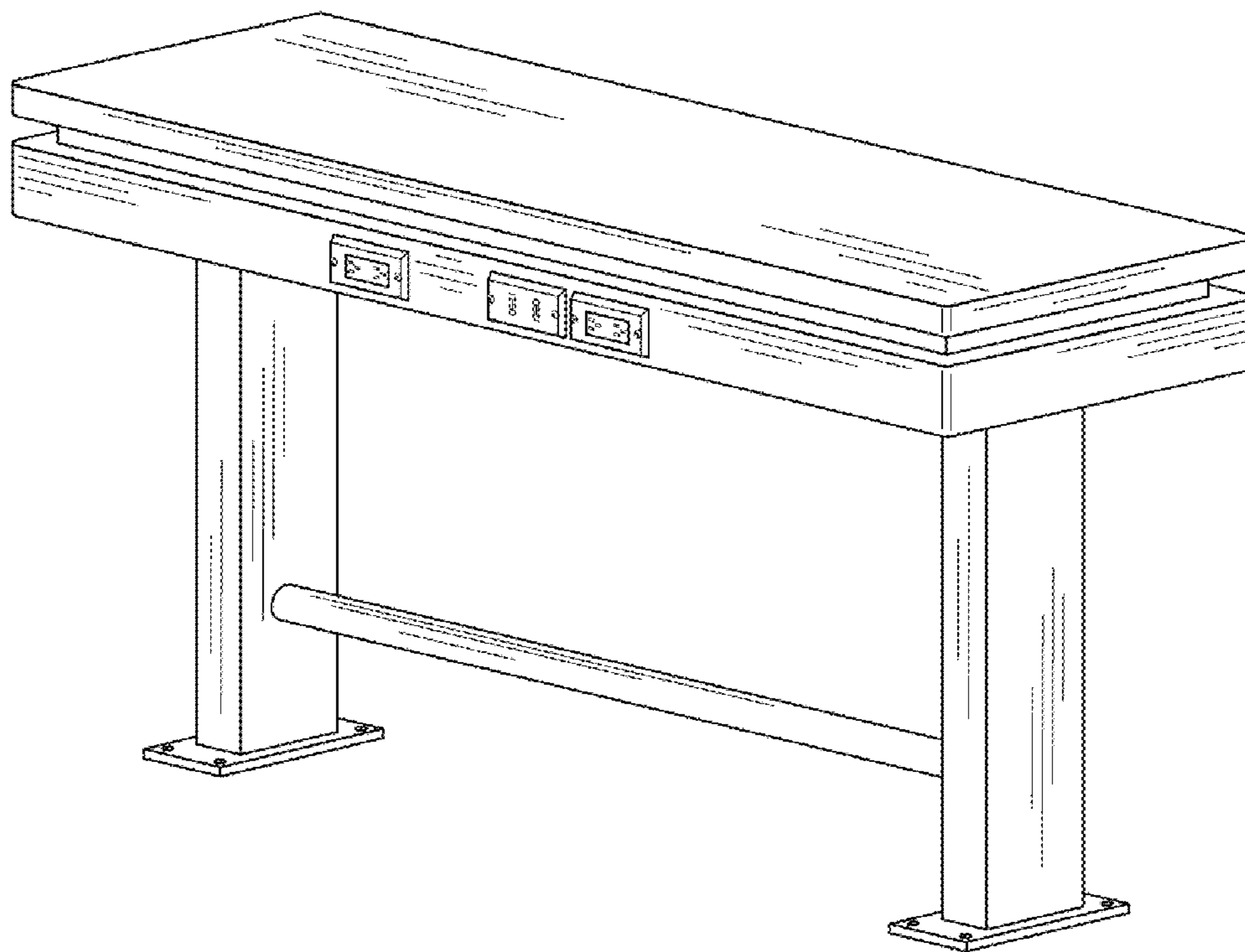
FIG. 6 is a right side view thereof;

FIG. 7 is a top plan view thereof; and,

FIG. 8 is a bottom plan view thereof.

The broken lines are for environmental purposes only and form no part of the claimed design.

1 Claim, 6 Drawing Sheets



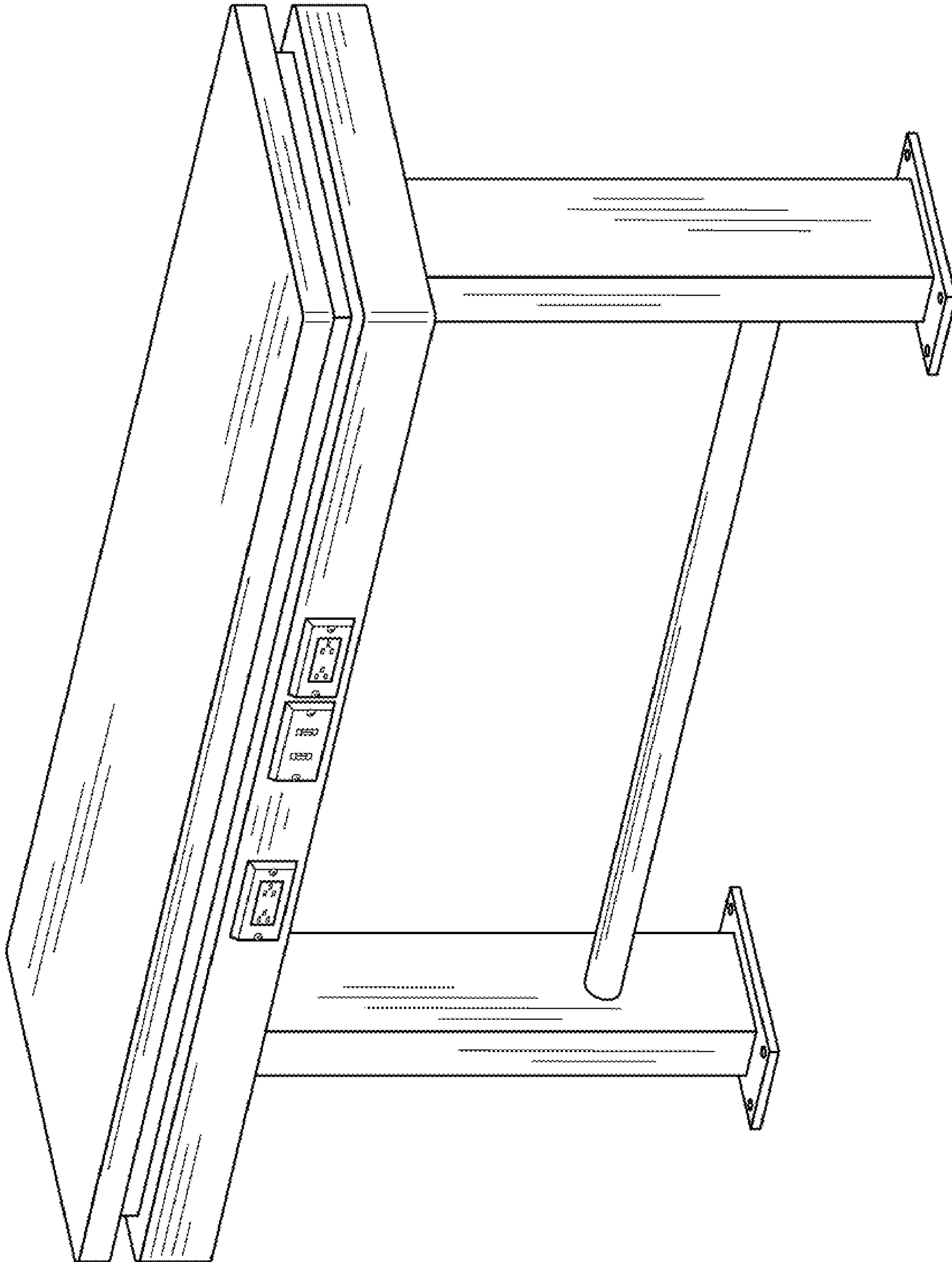


FIG. 1

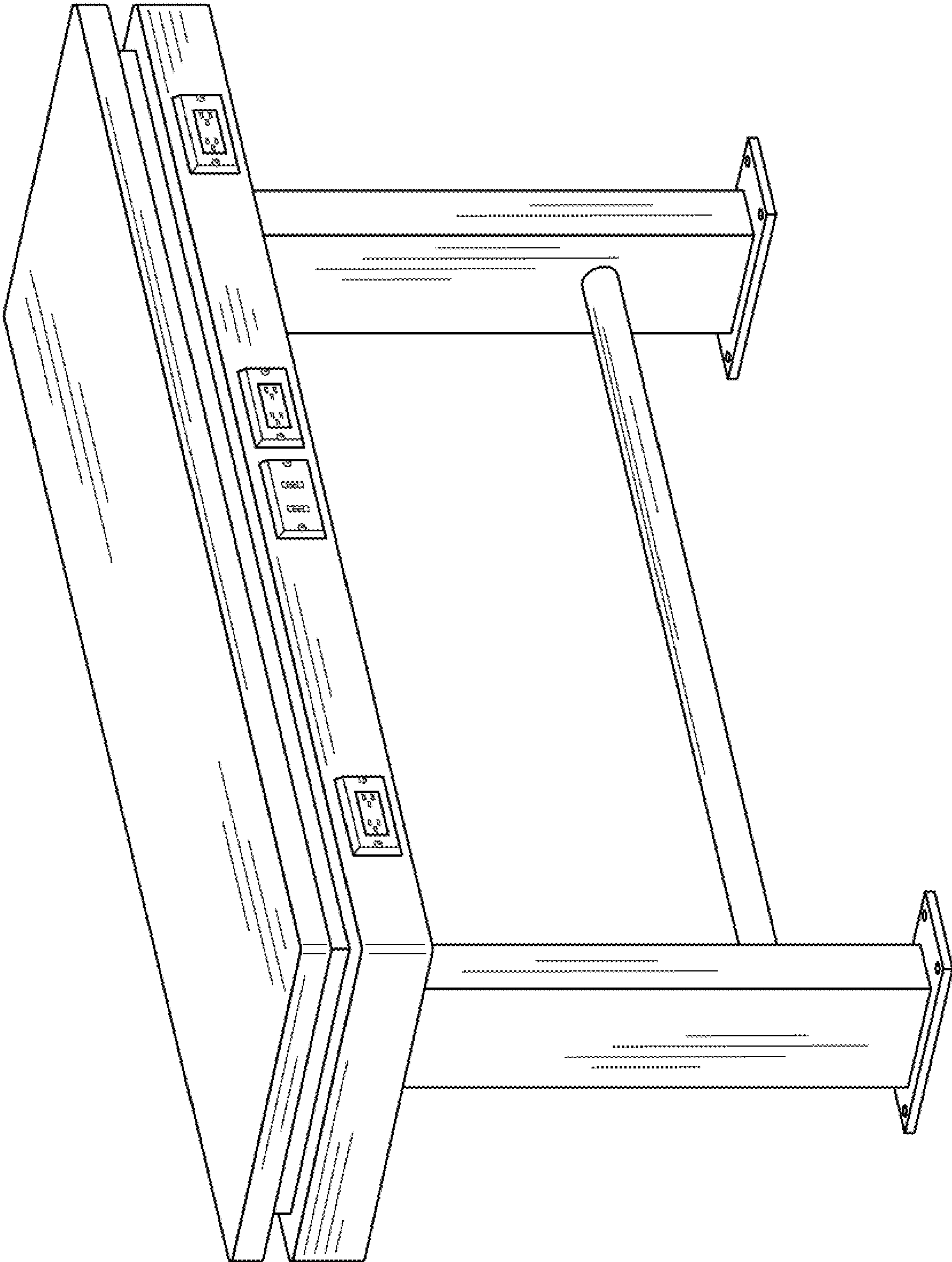


FIG. 2

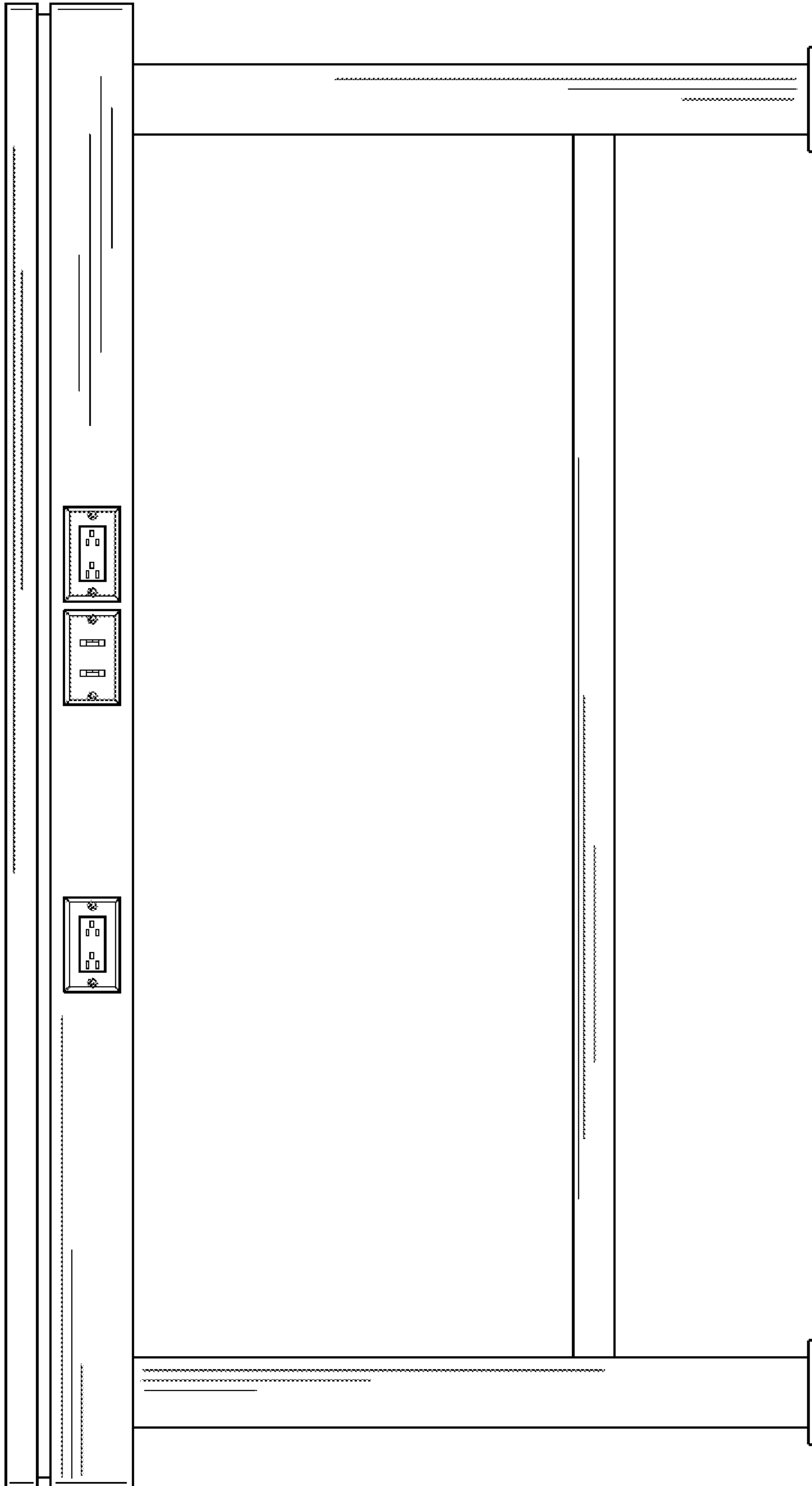


FIG. 3

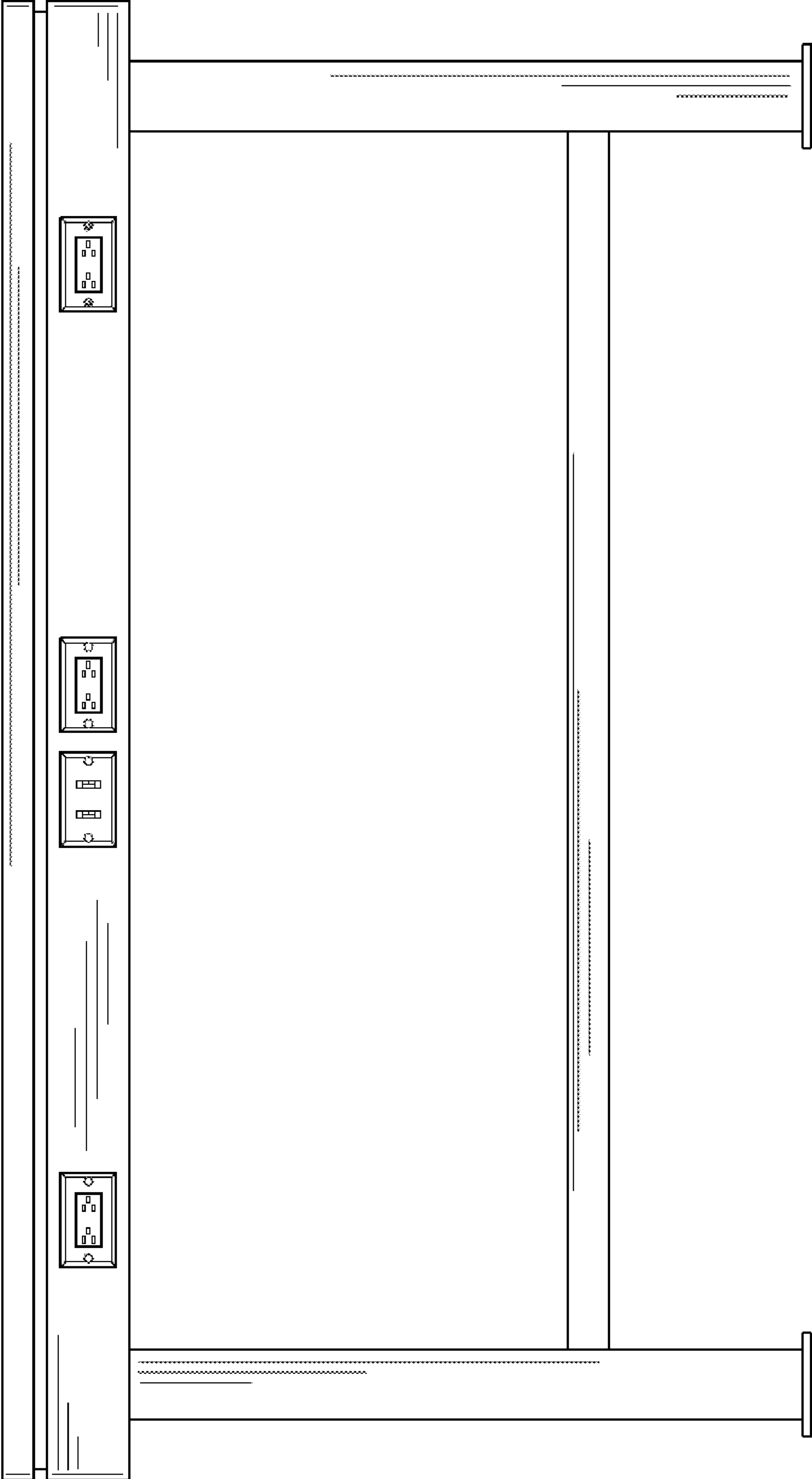


FIG. 4

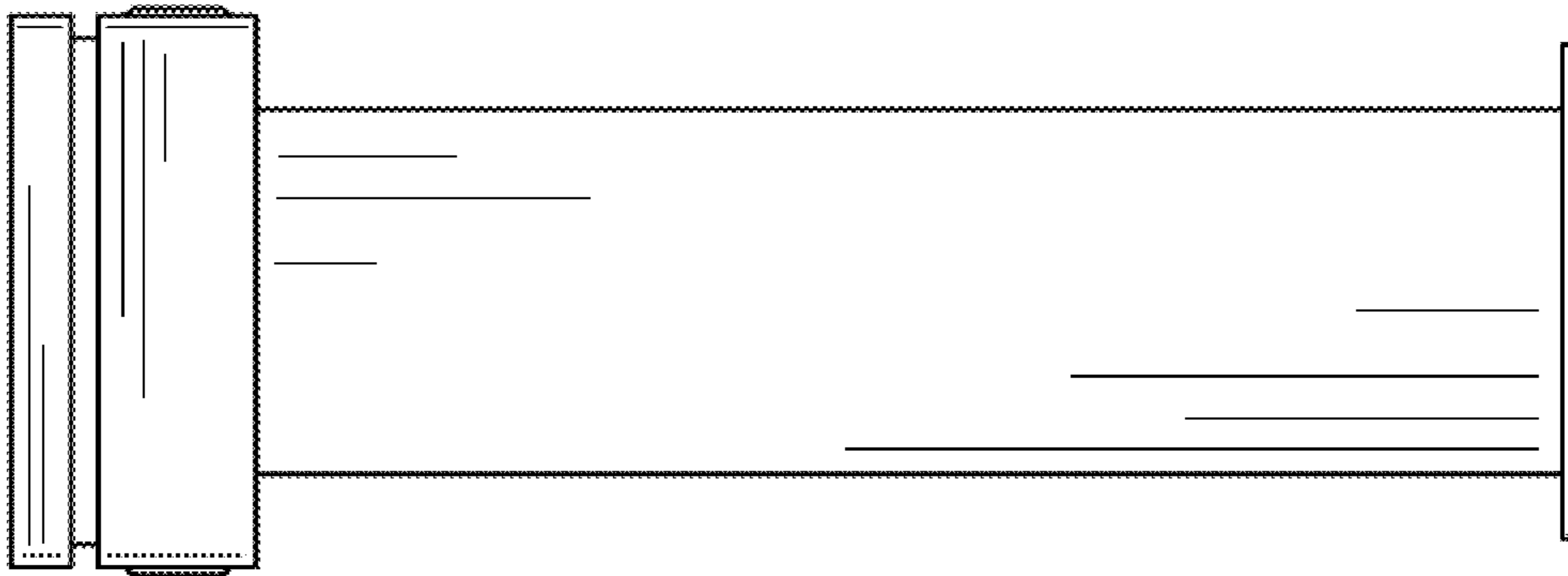


FIG. 6

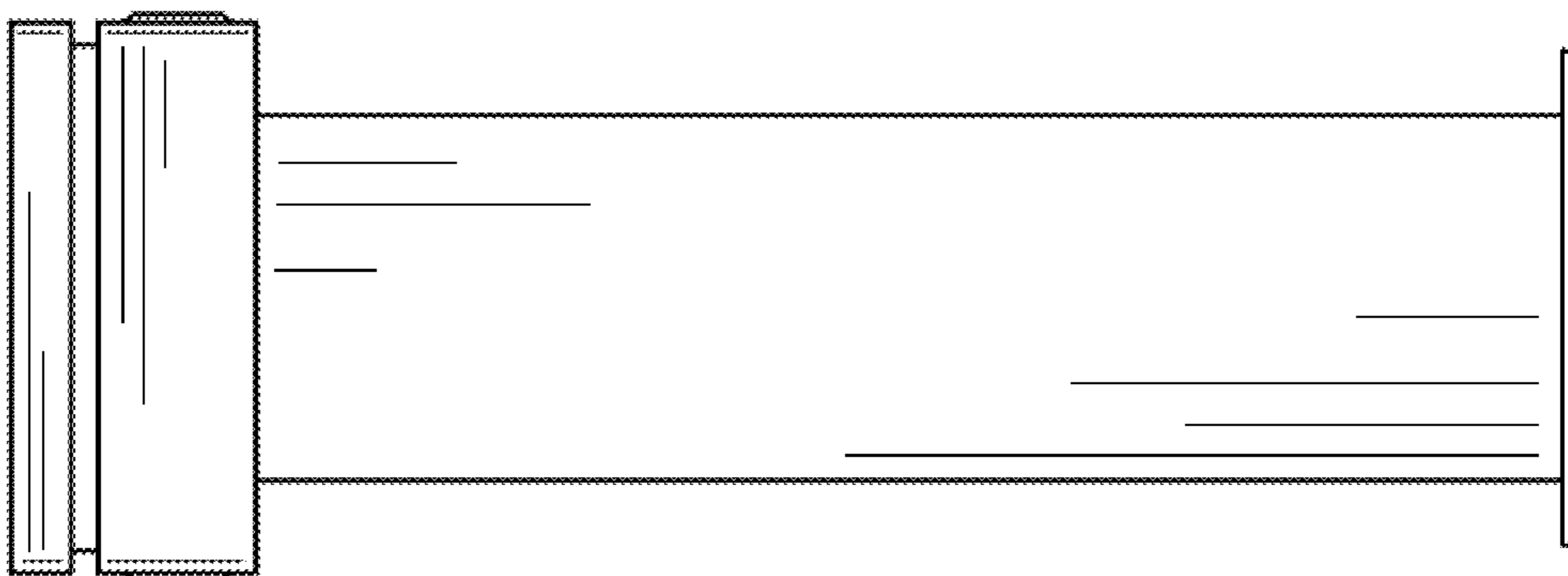


FIG. 5

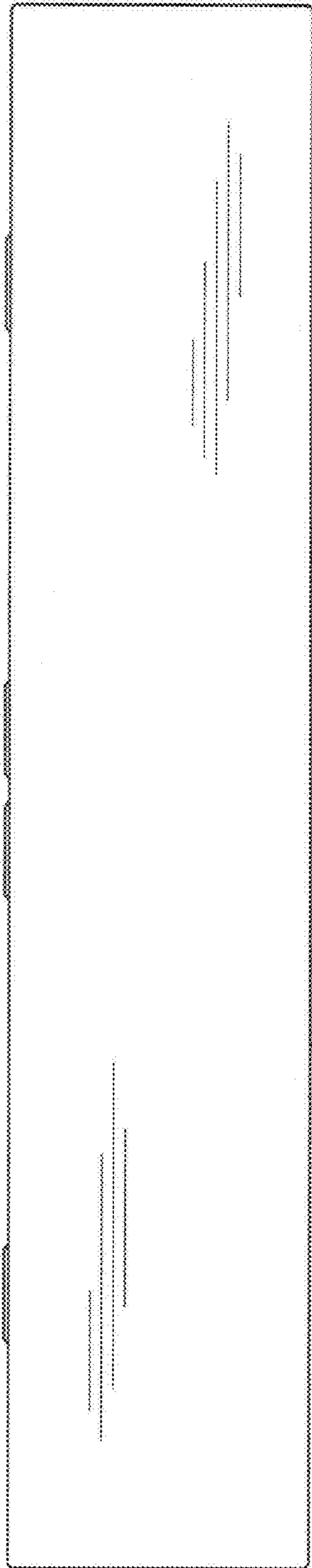


FIG. 7

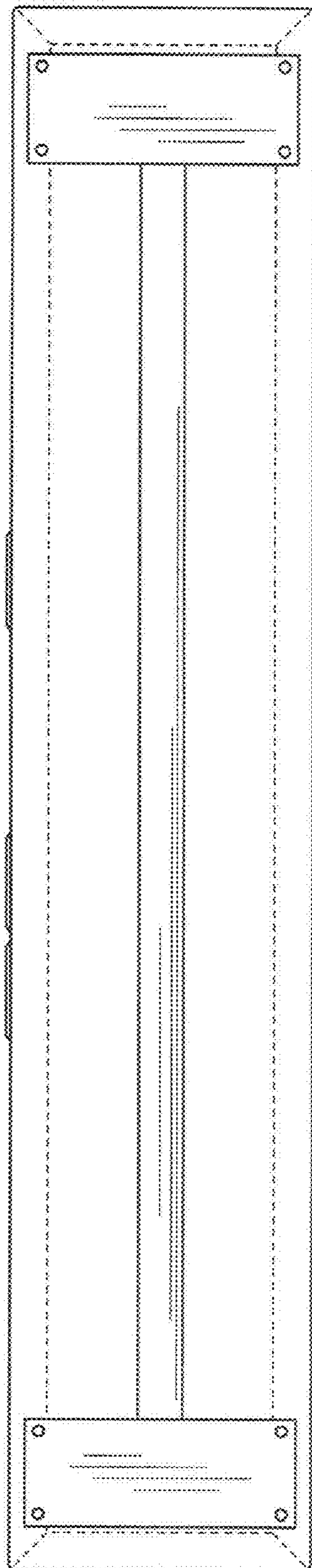


FIG. 8