



US00D618470S

(12) **United States Design Patent**  
**Merkle**

(10) **Patent No.:** **US D618,470 S**

(45) **Date of Patent:** **\*\* Jun. 29, 2010**

(54) **CHAIR**

(76) **Inventor:** **Alan Keith Merkle**, 18237 SE. 135th St., Renton, WA (US) 98059

(\*\*) **Term:** **14 Years**

(21) **Appl. No.:** **29/350,172**

(22) **Filed:** **Nov. 12, 2009**

(51) **LOC (9) Cl.** ..... **06-01**

(52) **U.S. Cl.** ..... **D6/372**

(58) **Field of Classification Search** ..... D6/334-336, D6/363, 371, 372, 373, 374, 375, 376, 379, D6/380, 500-502; 297/239, 445.1, 446.1, 297/447.1, 447.2, 447.3, 448.1, 448.2, 451.3, 297/451.12, 452.12, 452.14

See application file for complete search history.

(56) **References Cited**

**U.S. PATENT DOCUMENTS**

D158,509 S *	5/1950	Saارين	.....	D6/375
D214,316 S *	6/1969	Dukes	.....	D6/375
3,604,749 A *	9/1971	Parmett et al.	.....	297/239
D225,004 S *	10/1972	Gigante	.....	D6/375
D225,599 S *	12/1972	Hutchinson	.....	D6/363
D226,363 S *	2/1973	Magistretti	.....	D6/375
D227,205 S *	6/1973	Moecki	.....	D6/372
D230,670 S *	3/1974	Begge	.....	D6/372

D239,345 S *	3/1976	Keller	.....	D6/375
D251,942 S *	5/1979	VonHeck	.....	D6/375
D270,791 S *	10/1983	Lange	.....	D6/371
D274,582 S *	7/1984	Melchior	.....	D6/373
D284,812 S *	7/1986	Culler	.....	D6/371
D323,079 S *	1/1992	Hubert	.....	D6/380
D330,638 S *	11/1992	Moschini	.....	D6/334

\* cited by examiner

*Primary Examiner*—Mimosa De

(74) *Attorney, Agent, or Firm*—Black Lowe & Graham PLLC

(57) **CLAIM**

I claim the ornamental design for the chair, as shown and described.

**DESCRIPTION**

FIG. 1 is a top right, perspective, isometric view of the chair, showing my new design;

FIG. 2 is a right side elevation view of the chair, the left side being a mirror image thereof;

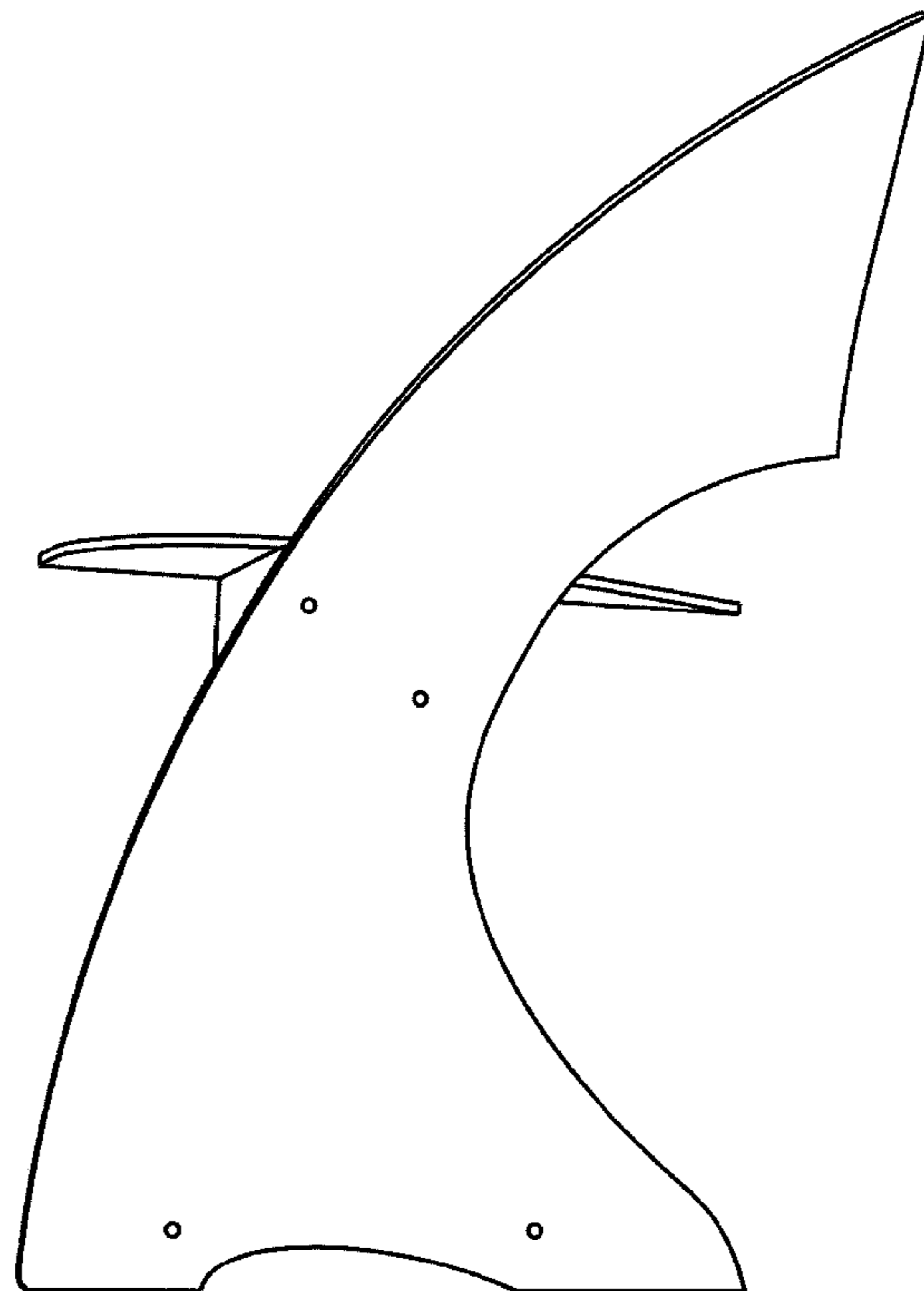
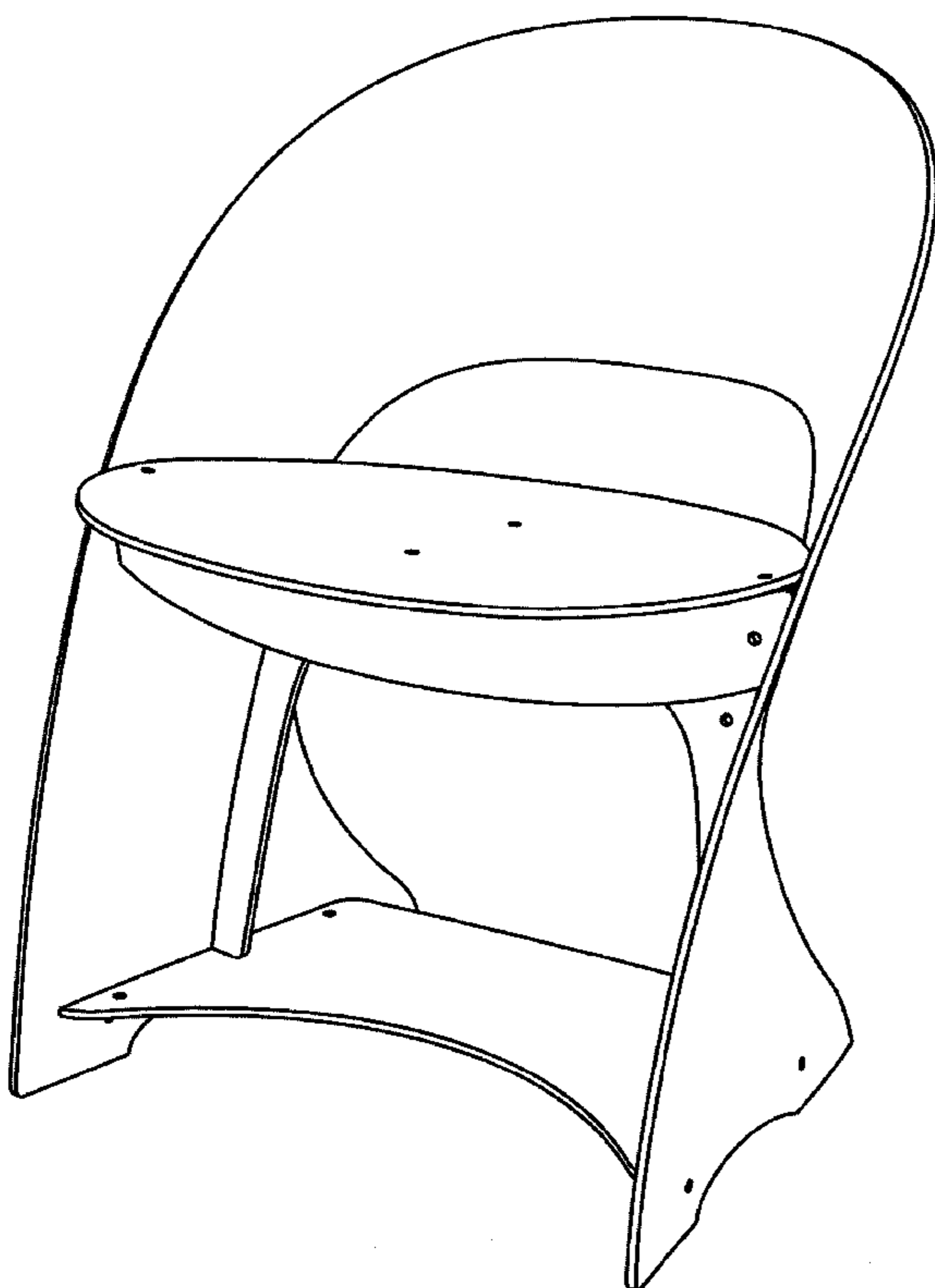
FIG. 3 is a top plan view of the chair;

FIG. 4 is a front elevation view of the chair;

FIG. 5 is a rear elevation view of the chair; and,

FIG. 6 is a bottom plan view of the chair.

**1 Claim, 6 Drawing Sheets**



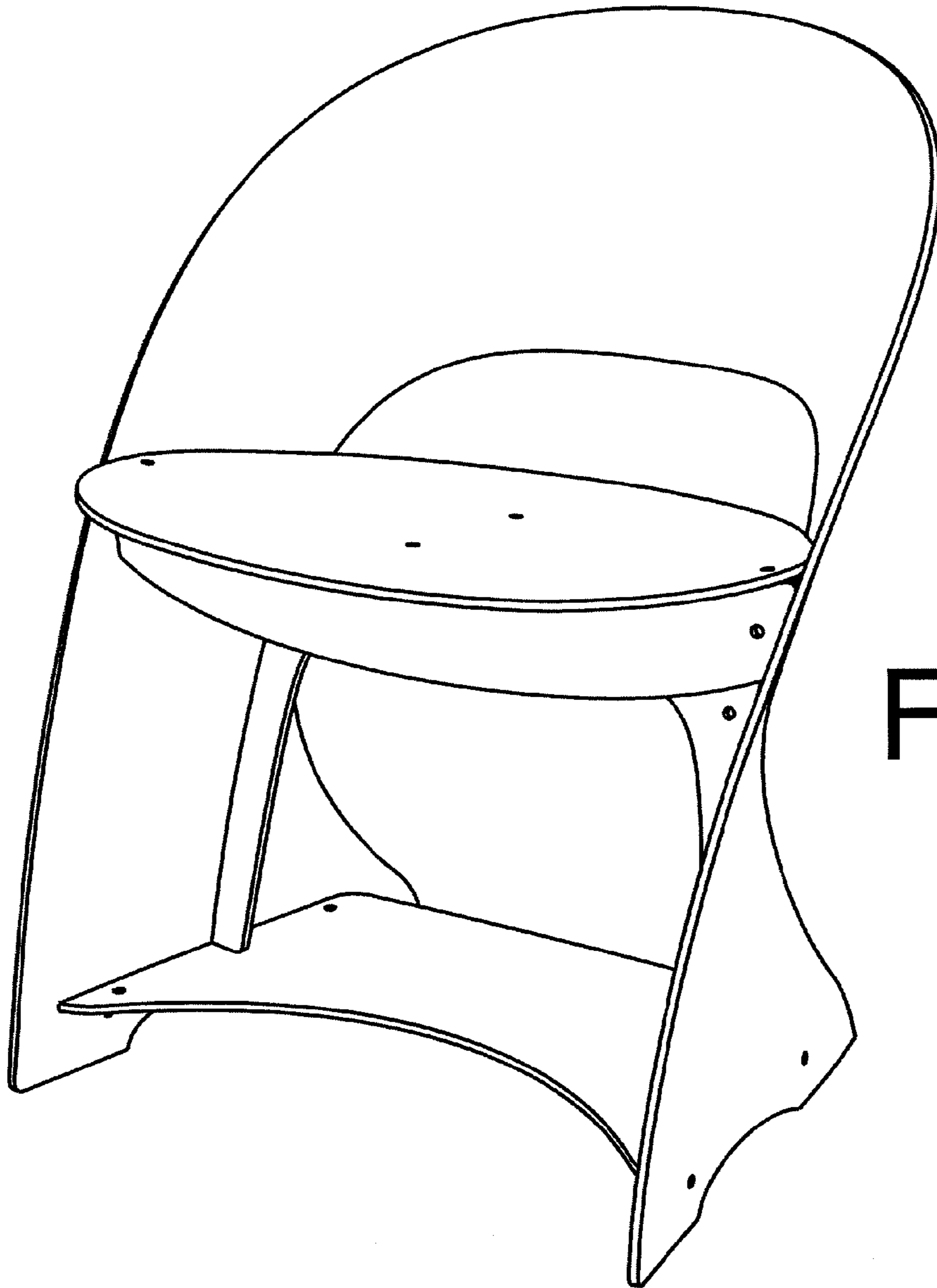


Fig. 1

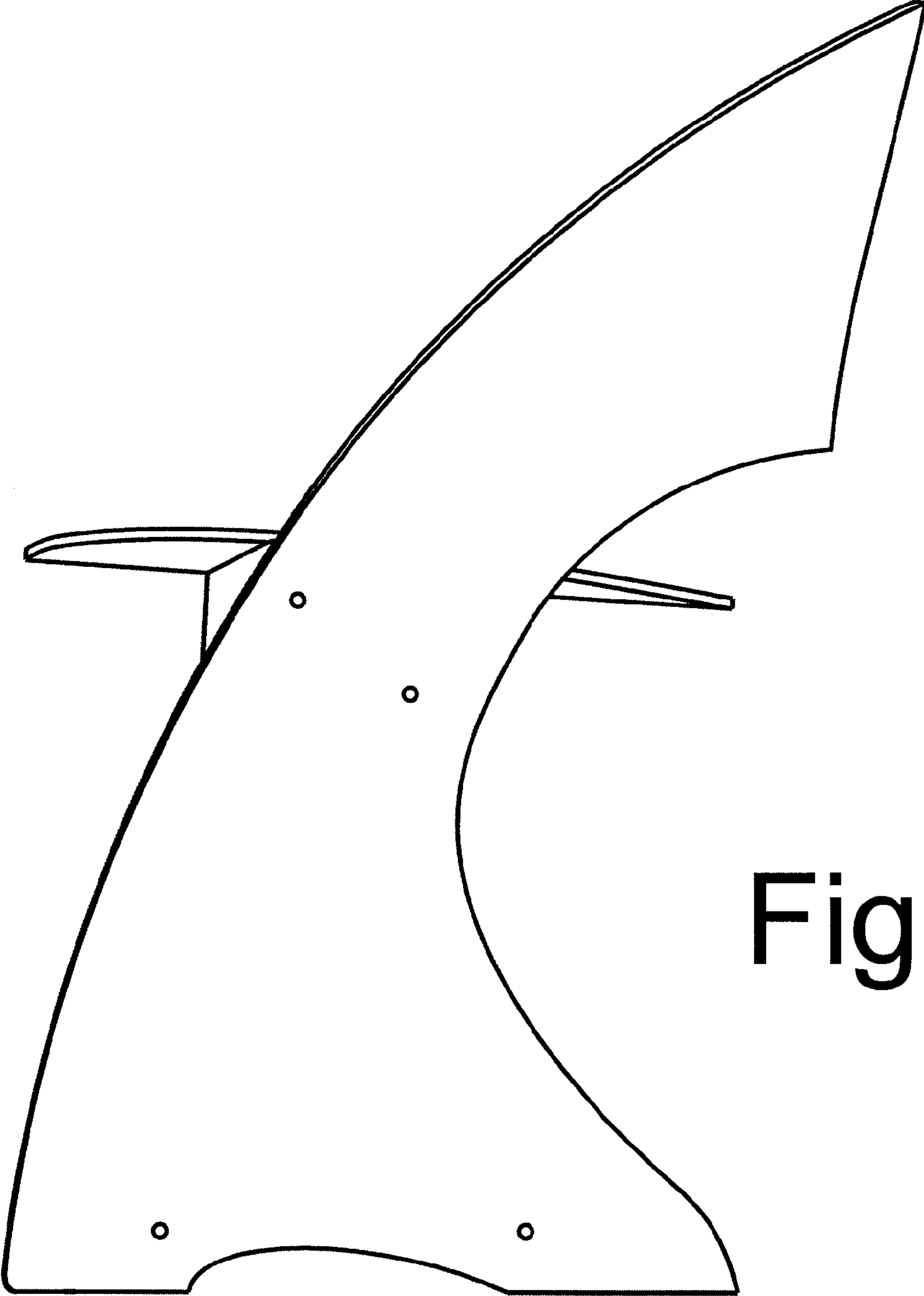


Fig. 2

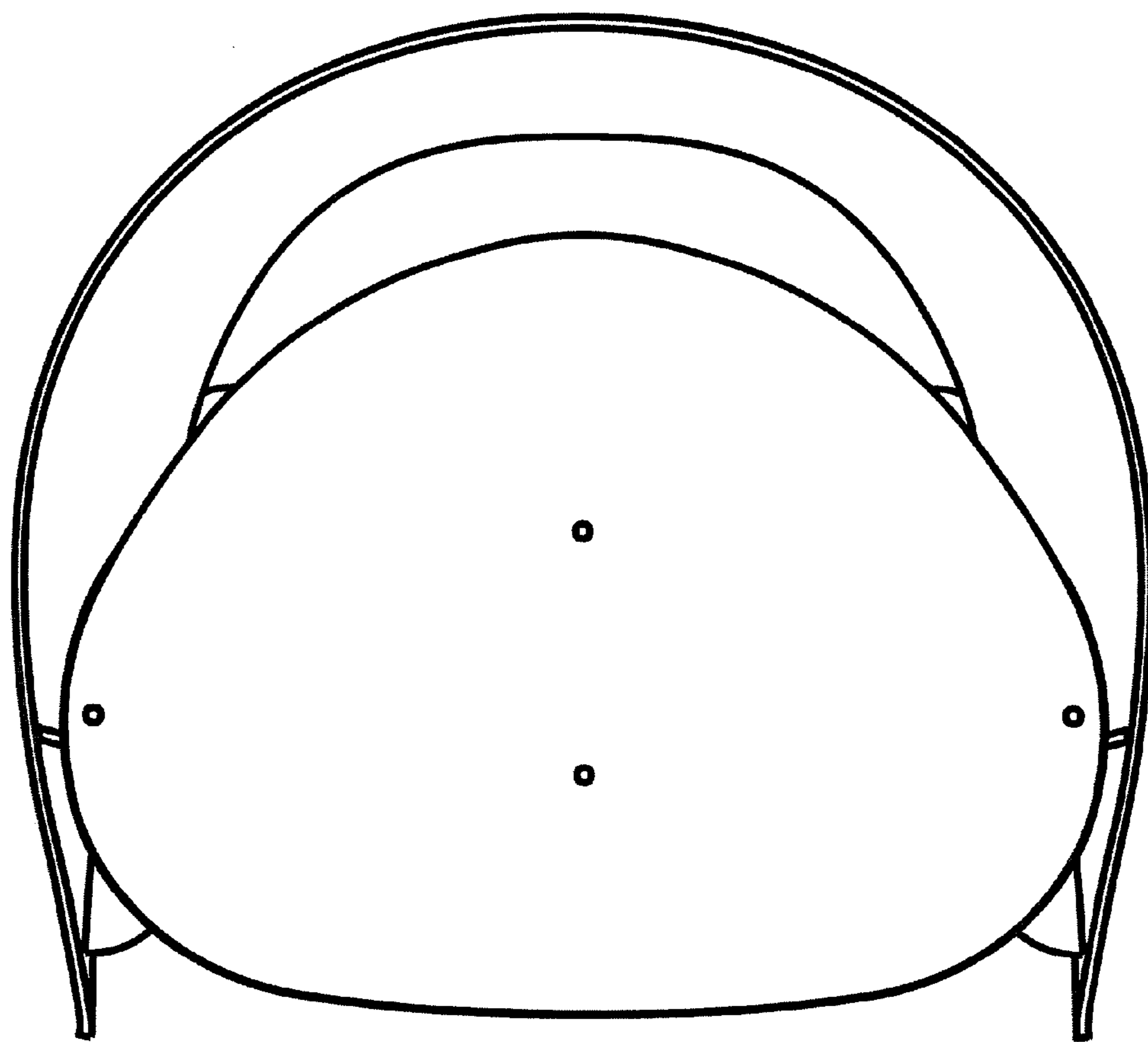


Fig. 3

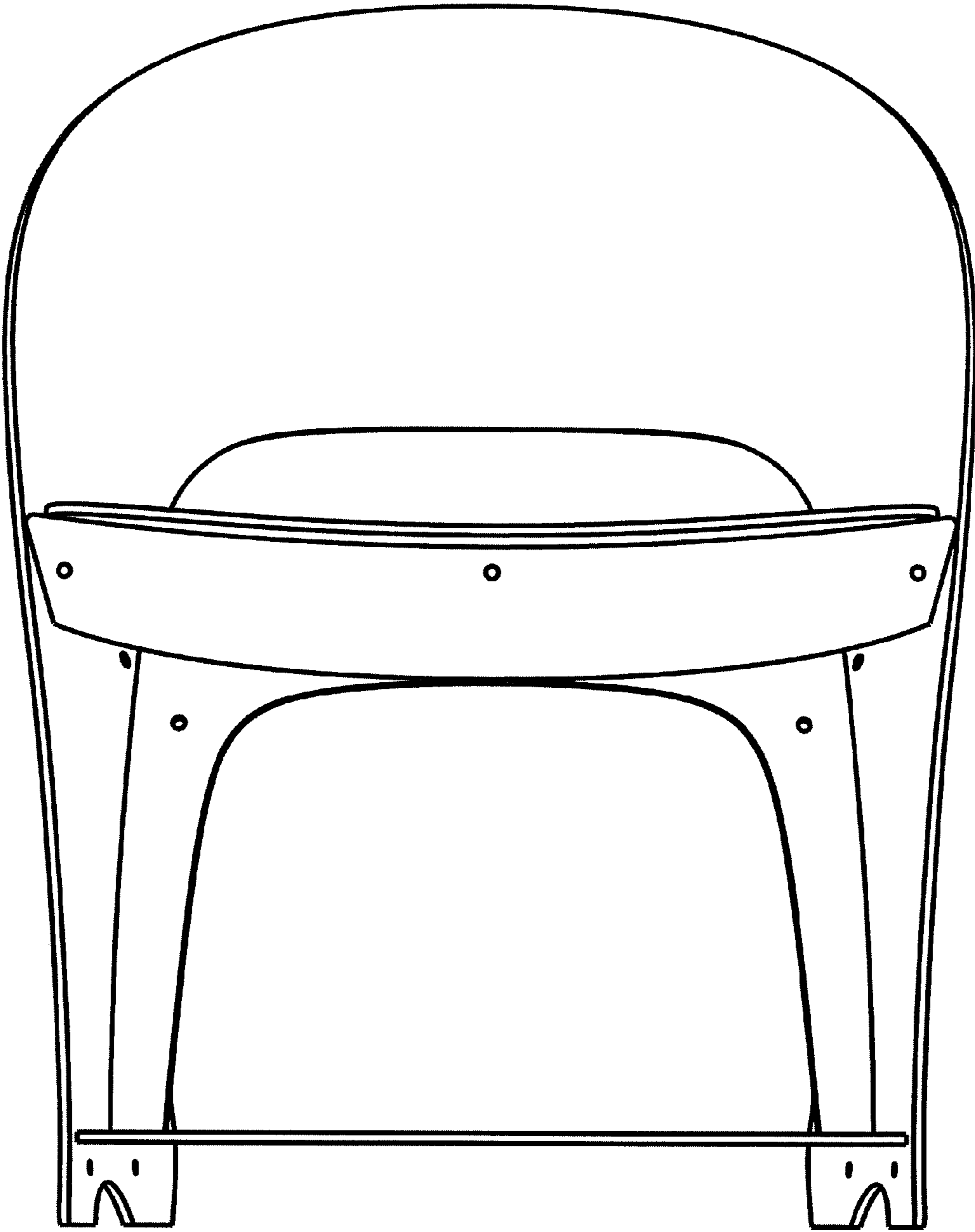


Fig. 4

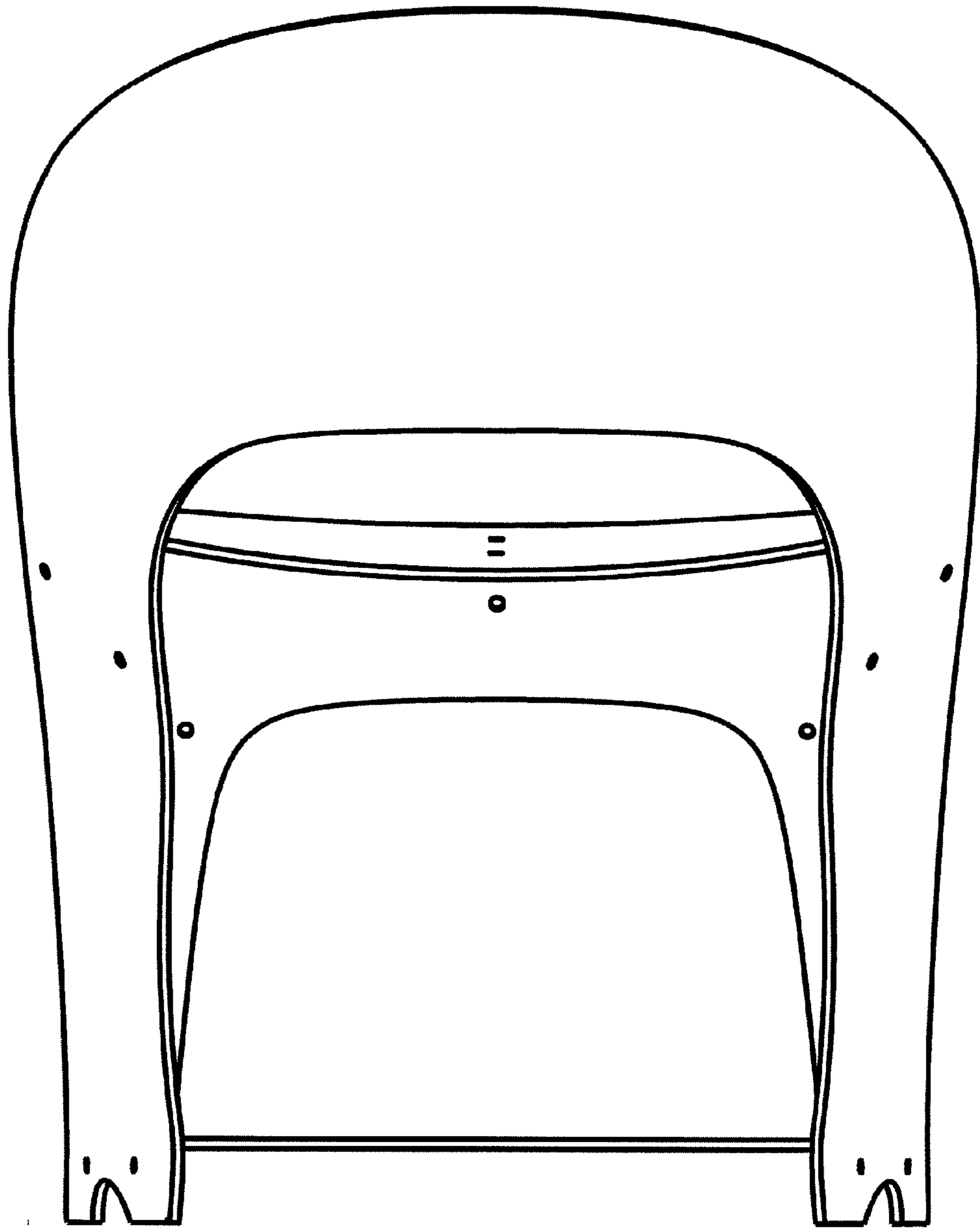


Fig. 5

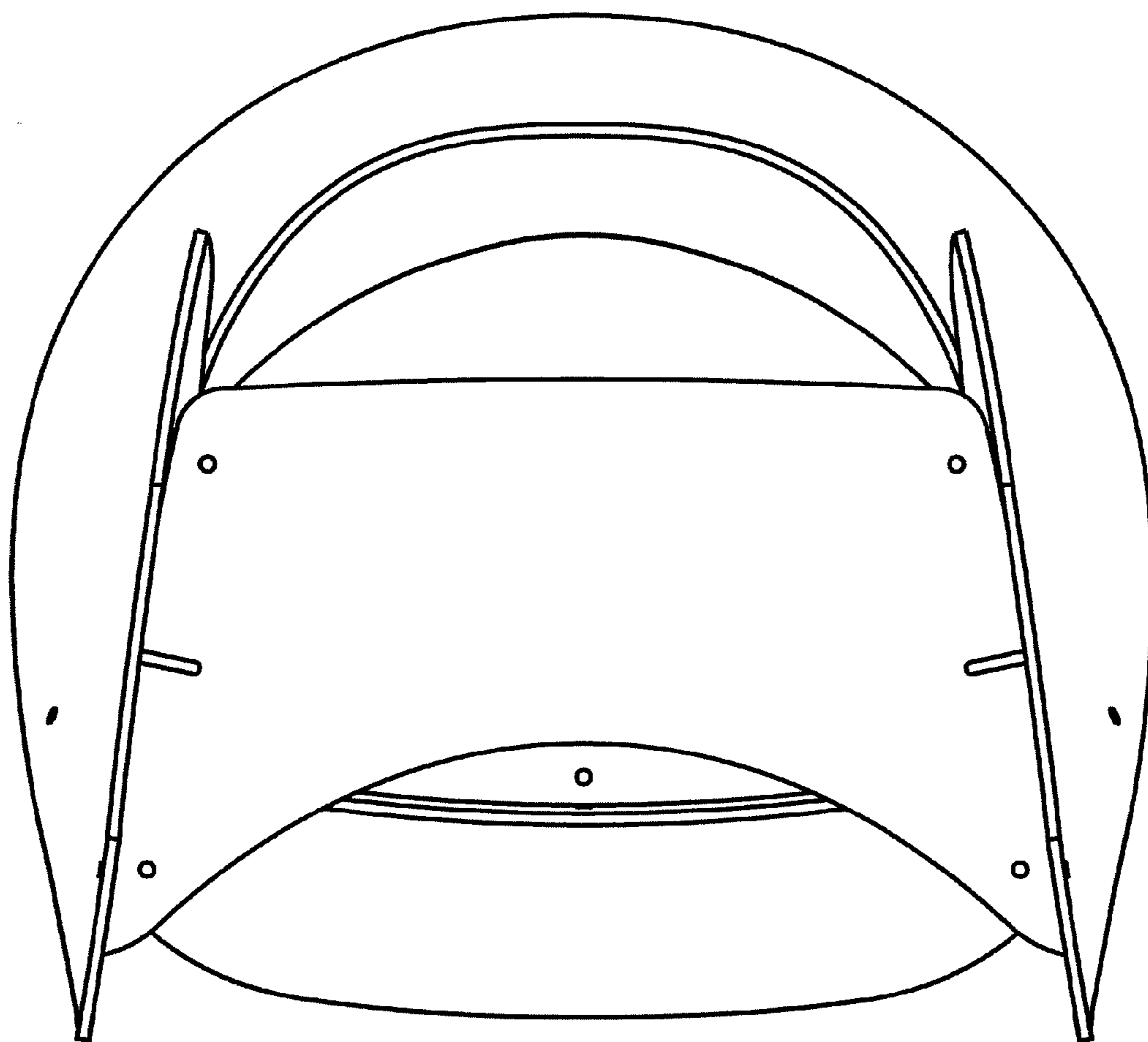


Fig. 6