



US00D618464S

(12) **United States Design Patent**  
**Fox et al.**

(10) **Patent No.:** **US D618,464 S**  
(45) **Date of Patent:** **\*\* Jun. 29, 2010**

(54) **CLOTHES HANGER**

(75) Inventors: **Kevin Fox**, Glasgow (GB); **Lawrence Broadley**, Glasgow (GB)

(73) Assignee: **Latitude 56 Degrees Ltd.** (GB)

(\*\*) Term: **14 Years**

(21) Appl. No.: **29/344,654**

(22) Filed: **Oct. 1, 2009**

(51) **LOC (9) Cl.** ..... **06-08**

(52) **U.S. Cl.** ..... **D6/319**

(58) **Field of Classification Search** ..... D6/315,  
D6/317, 319, 328; 223/85-98; 211/1, 13.1,  
211/85.3

See application file for complete search history.

(56) **References Cited**

**U.S. PATENT DOCUMENTS**

2,622,775	A *	12/1952	Sasaki	.....	223/98
4,658,997	A *	4/1987	Nash	.....	223/98
D360,306	S *	7/1995	Hodzen	.....	D6/328
D366,155	S *	1/1996	Fogle	.....	D6/328
D369,908	S *	5/1996	Pfutzenreuter	.....	D6/328
D427,782	S *	7/2000	St. L-Morency	.....	D6/328
D464,491	S *	10/2002	Di Gilio	.....	D6/319

D464,811	S *	10/2002	Lin	.....	D6/319
7,370,779	B1 *	5/2008	Dunkirk	.....	223/98
D586,130	S *	2/2009	Howard	.....	D6/318

\* cited by examiner

*Primary Examiner*—Shanda C Hill

(74) *Attorney, Agent, or Firm*—Stephen M. Nipper; Dykas, Shaver & Nipper, LLP

(57) **CLAIM**

The ornamental design for a clothes hanger, as shown and described.

**DESCRIPTION**

FIG. 1 is a front perspective view of a clothes hanger showing our new design;

FIG. 2 is a rear perspective view thereof;

FIG. 3 is a top view thereof;

FIG. 4 is a front view thereof;

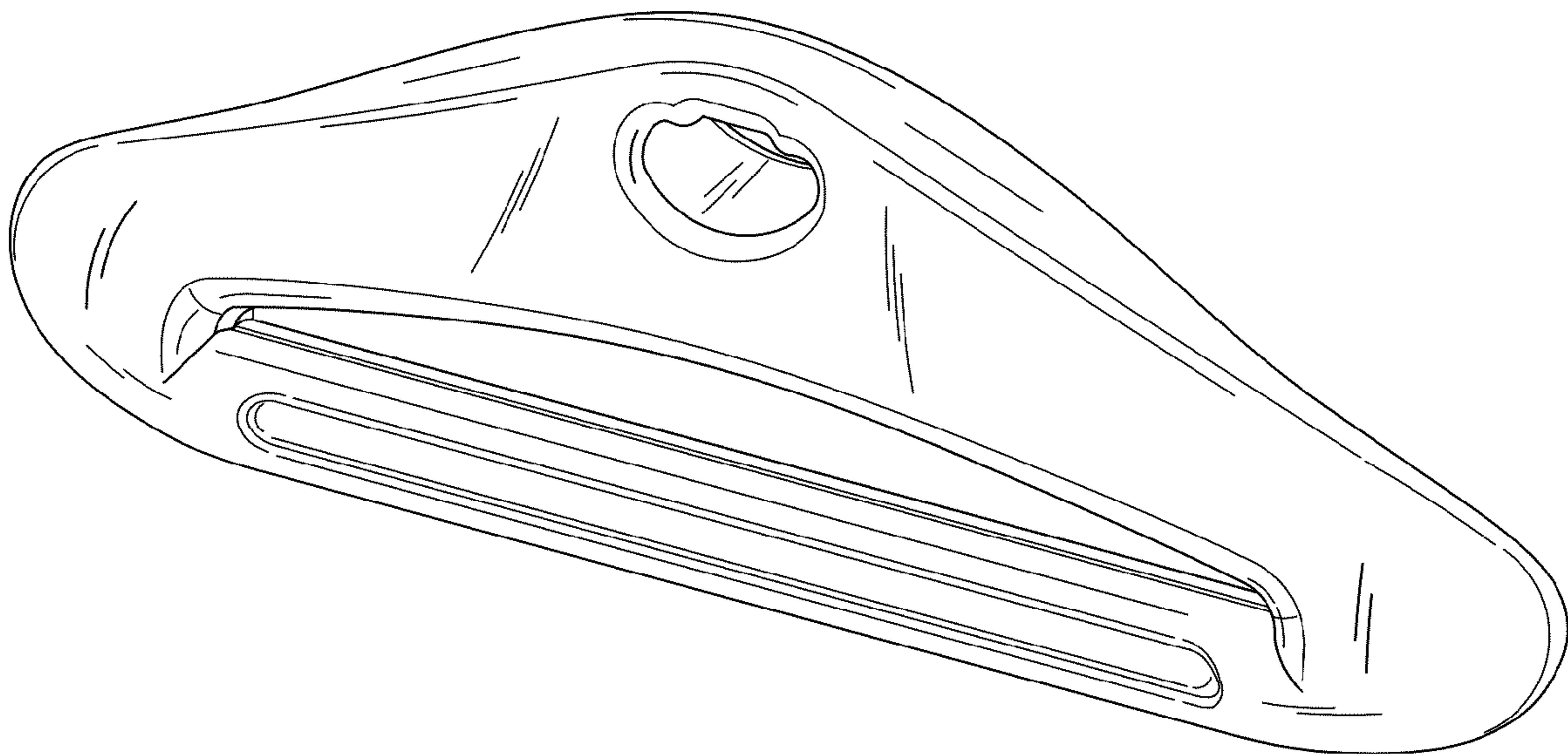
FIG. 5 is a first side view thereof;

FIG. 6 is a second side view thereof;

FIG. 7 is a bottom view thereof; and,

FIG. 8 is a rear side view thereof.

**1 Claim, 3 Drawing Sheets**



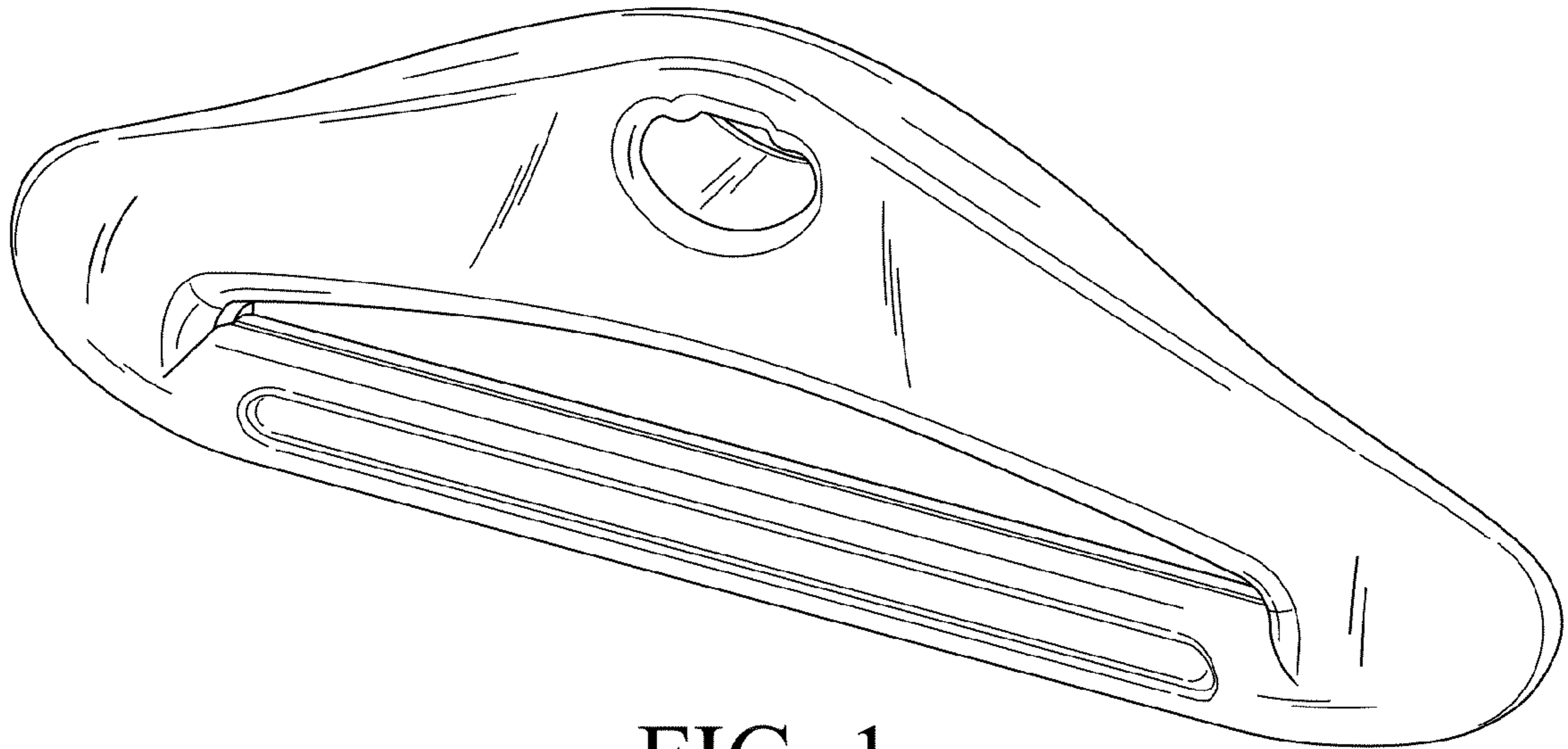


FIG. 1

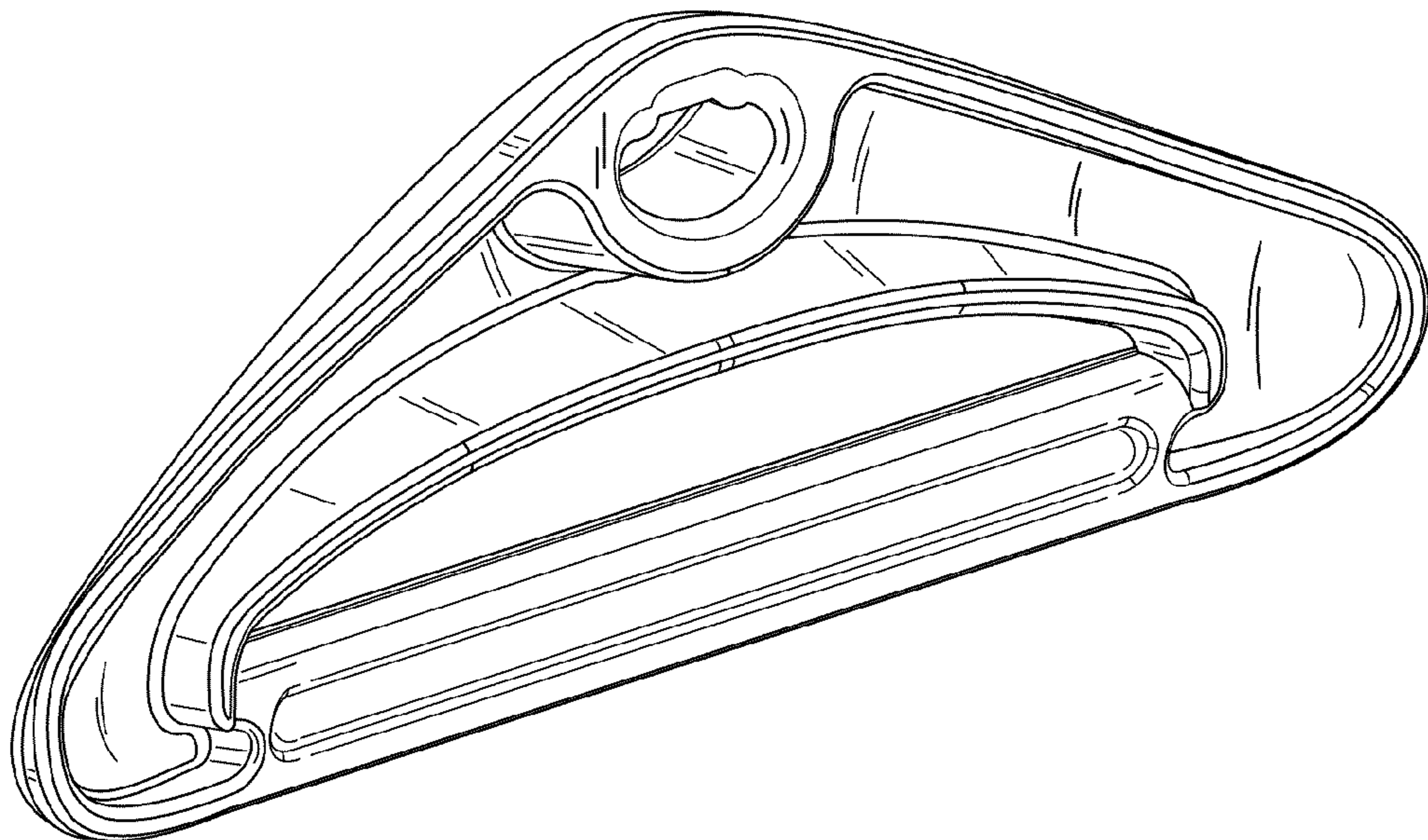


FIG. 2

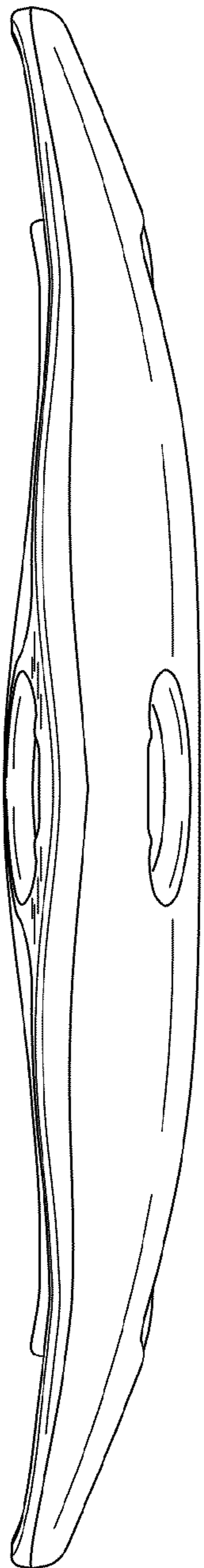


FIG. 3

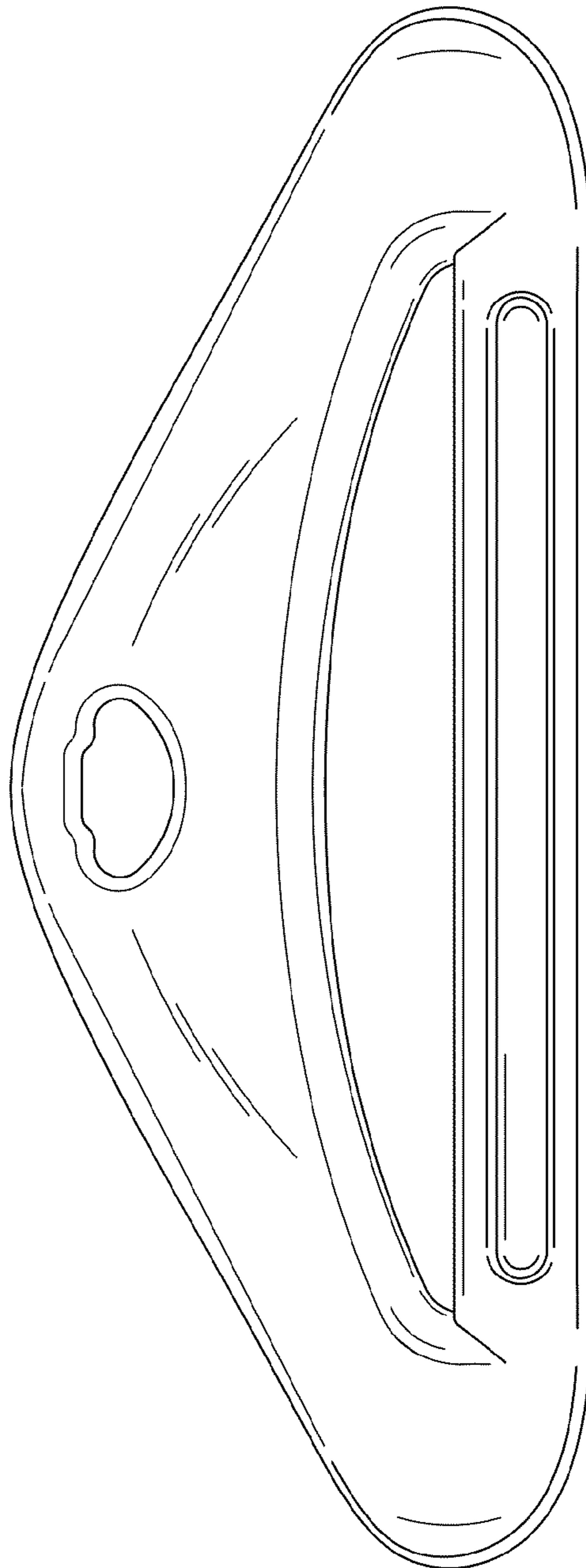


FIG. 4

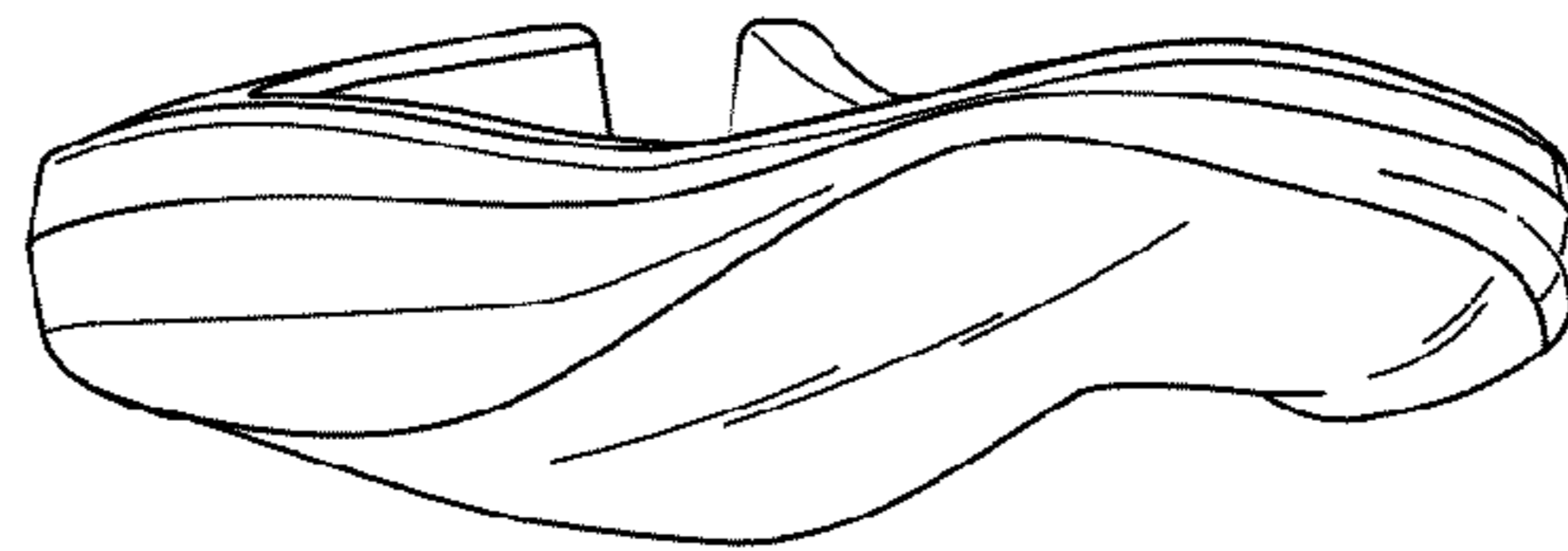


FIG. 6

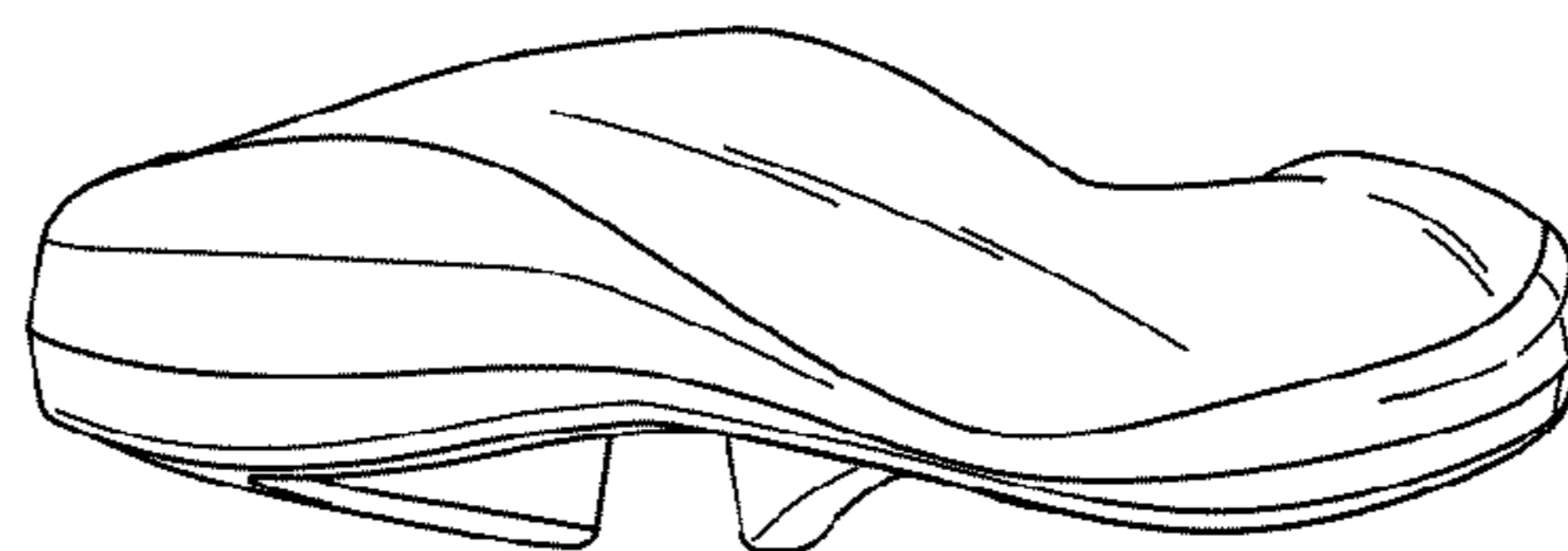


FIG. 5

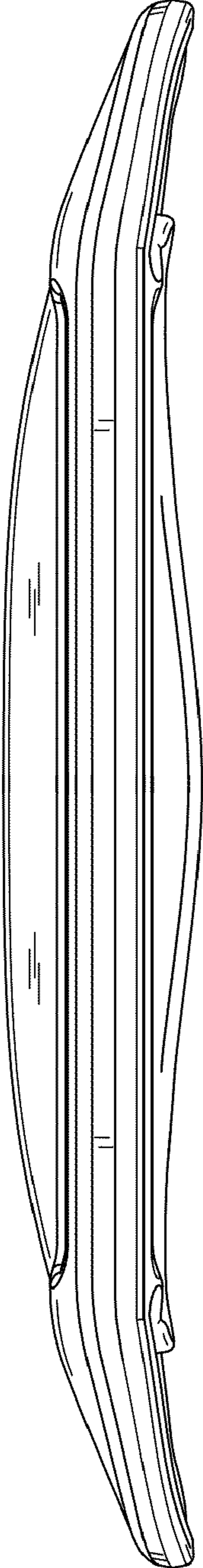


FIG. 7

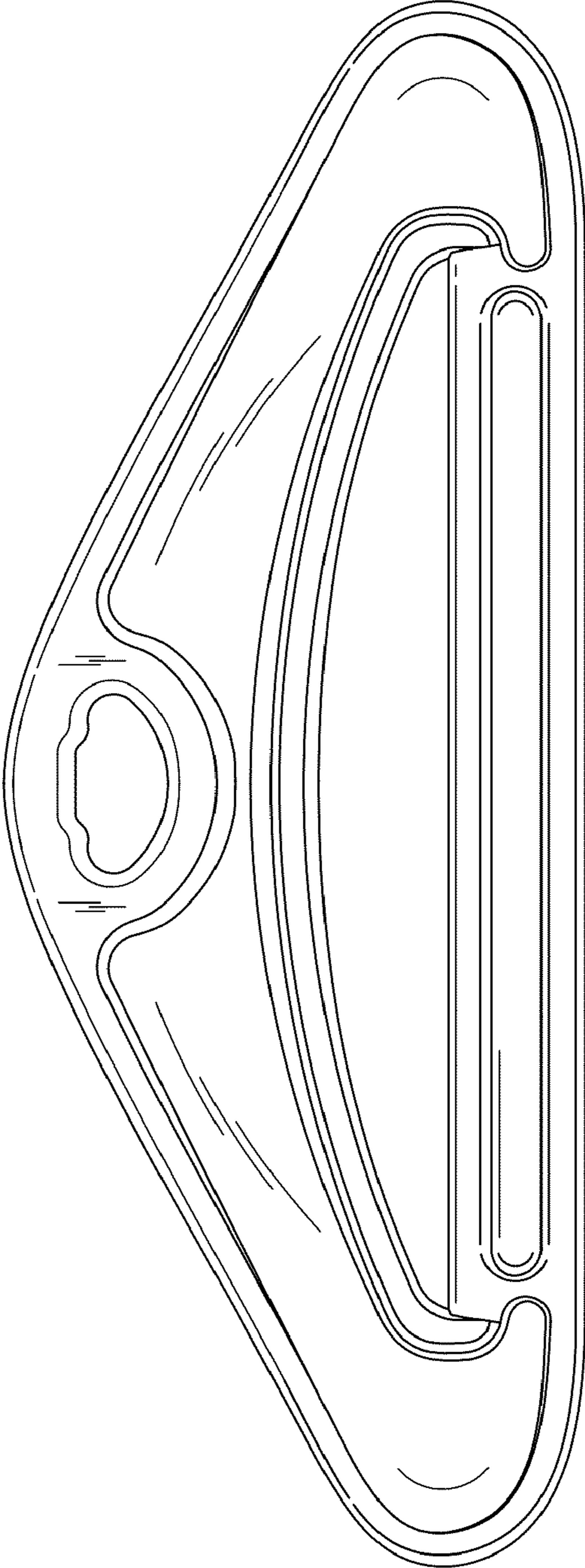


FIG. 8