



US00D618459S

(12) **United States Design Patent**
Thuma et al.

(10) **Patent No.:** **US D618,459 S**
(45) **Date of Patent:** **** Jun. 29, 2010**

(54) **COLLAPSIBLE STORAGE CONTAINER**

(75) Inventors: **Michael Thuma**, La Grange, IL (US);
Robert Kopp, Elburn, IL (US); **Michael R. Vogler**, Oswego, IL (US)

(73) Assignee: **Suncast Technologies, LLC**, Palm Beach Gardens, FL (US)

(**) Term: **14 Years**

(21) Appl. No.: **29/337,401**

(22) Filed: **May 21, 2009**

(51) **LOC (9) Cl.** **03-01**

(52) **U.S. Cl.** **D3/279**

(58) **Field of Classification Search** D3/272–279,
D3/304–314, 201, 302, 284, 294; 206/386,
206/600, 599, 509, 511; 220/6, 485, 486,
220/487, 4.28, 4.29, 676, 9.2, 9.3; 217/14,
217/12 R; 312/262, 219

See application file for complete search history.

(56) **References Cited**

U.S. PATENT DOCUMENTS

2,494,275 A * 1/1950 Abbott 217/14
3,759,599 A * 9/1973 Swick, Jr. 312/262
4,057,165 A * 11/1977 Kardell 220/6
5,323,921 A * 6/1994 Olsson 217/12 R
D353,047 S * 12/1994 Lackie D3/276
6,299,011 B1 * 10/2001 Rosenfeldt 220/4.29
D460,259 S * 7/2002 Oelfke D3/284
D494,758 S * 8/2004 DeCarlo et al. D3/302

D497,252 S * 10/2004 Perella et al. D3/294
D500,205 S * 12/2004 DeCarlo et al. D3/302
7,001,001 B1 * 2/2006 Spencer 312/219
D529,287 S * 10/2006 Perella et al. D3/294
D580,653 S * 11/2008 Robaina D3/272

* cited by examiner

Primary Examiner—Robert M Spear

Assistant Examiner—Rashida C McCoy

(74) *Attorney, Agent, or Firm*—McHale & Slavin, P.A.

(57) **CLAIM**

The ornamental design for a collapsible storage container, as shown and described.

DESCRIPTION

FIG. 1 is a top left perspective view of the collapsible storage container of the instant invention;

FIG. 2 is a bottom right view perspective view thereof;

FIG. 3 is a front view thereof;

FIG. 4 is a rear view thereof;

FIG. 5 is a left side view thereof;

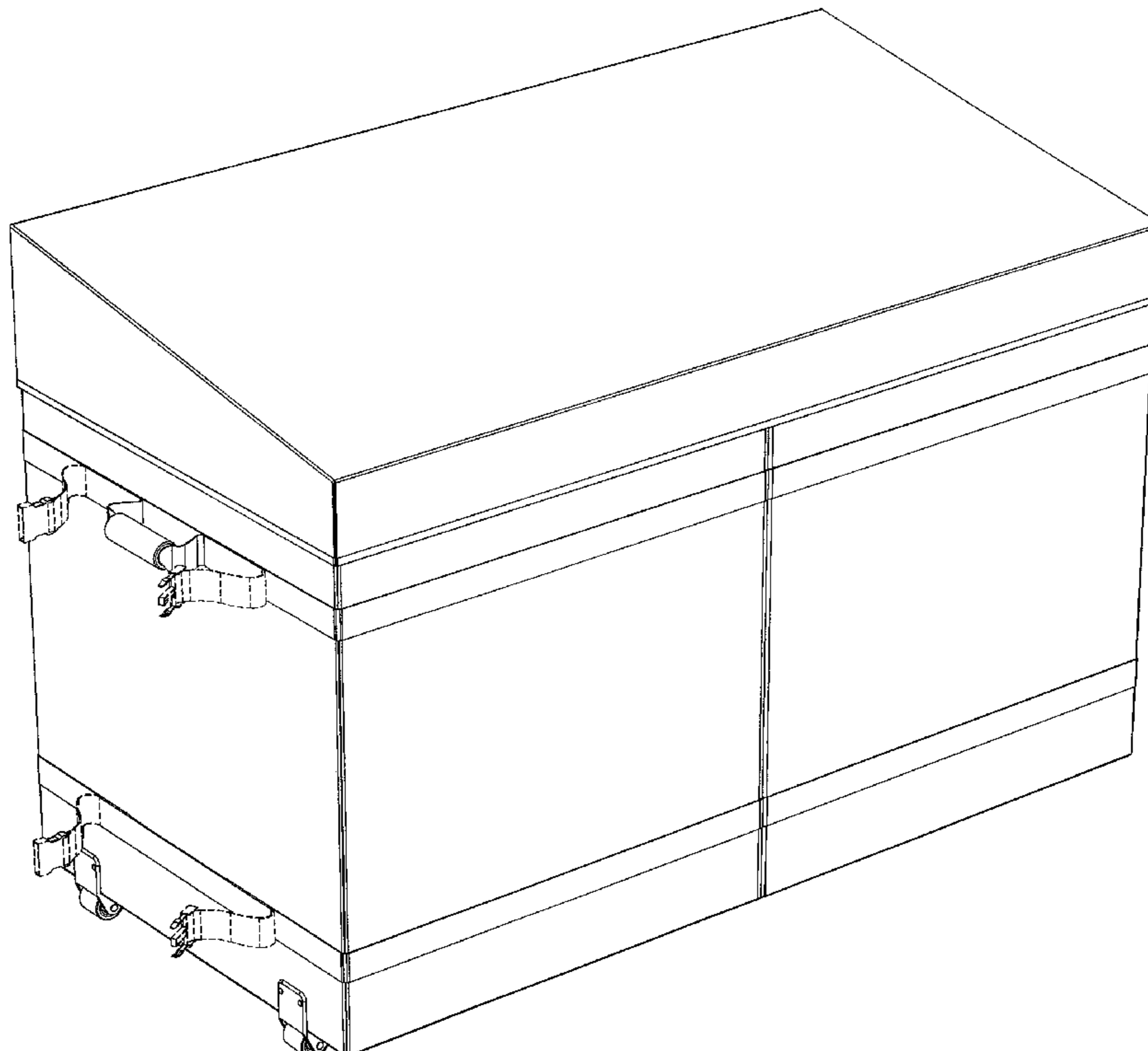
FIG. 6 is a right side view thereof;

FIG. 7 is a top view thereof; and,

FIG. 8 is a bottom view thereof.

The portions of the figures illustrated in broken lines are for illustrative purposes only and form no part of the claimed design.

1 Claim, 8 Drawing Sheets



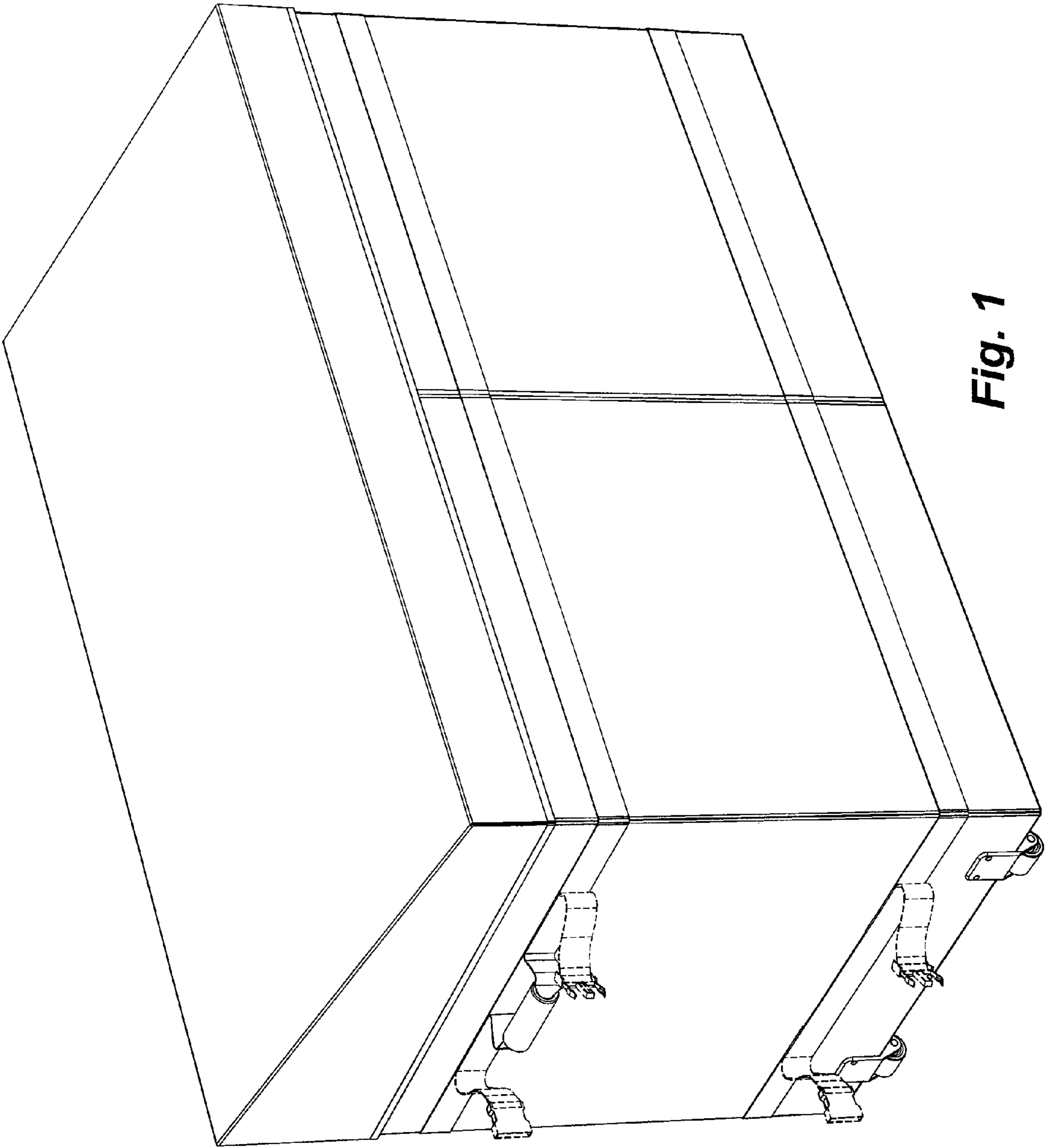


Fig. 1

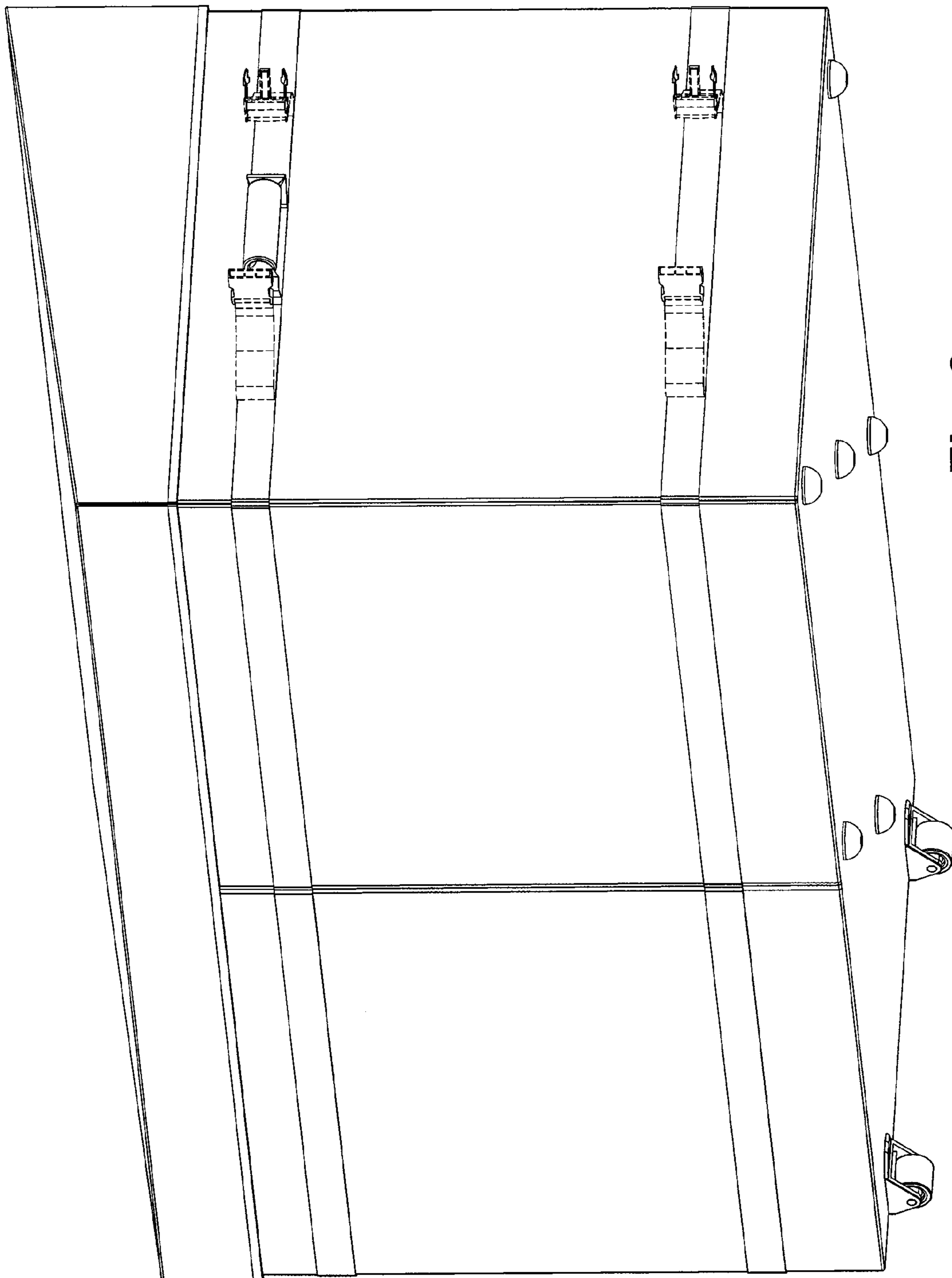


Fig. 2

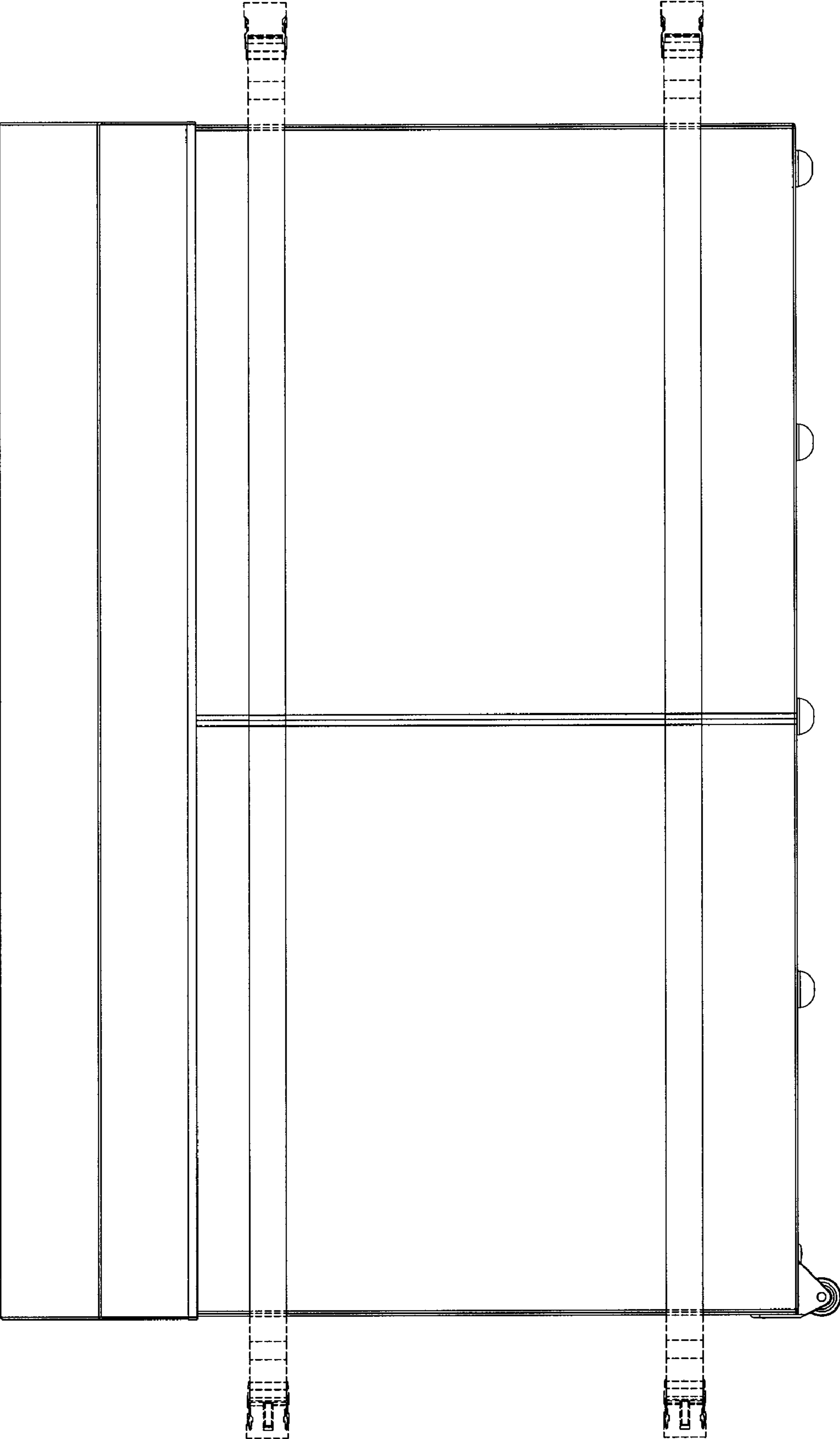


Fig. 3

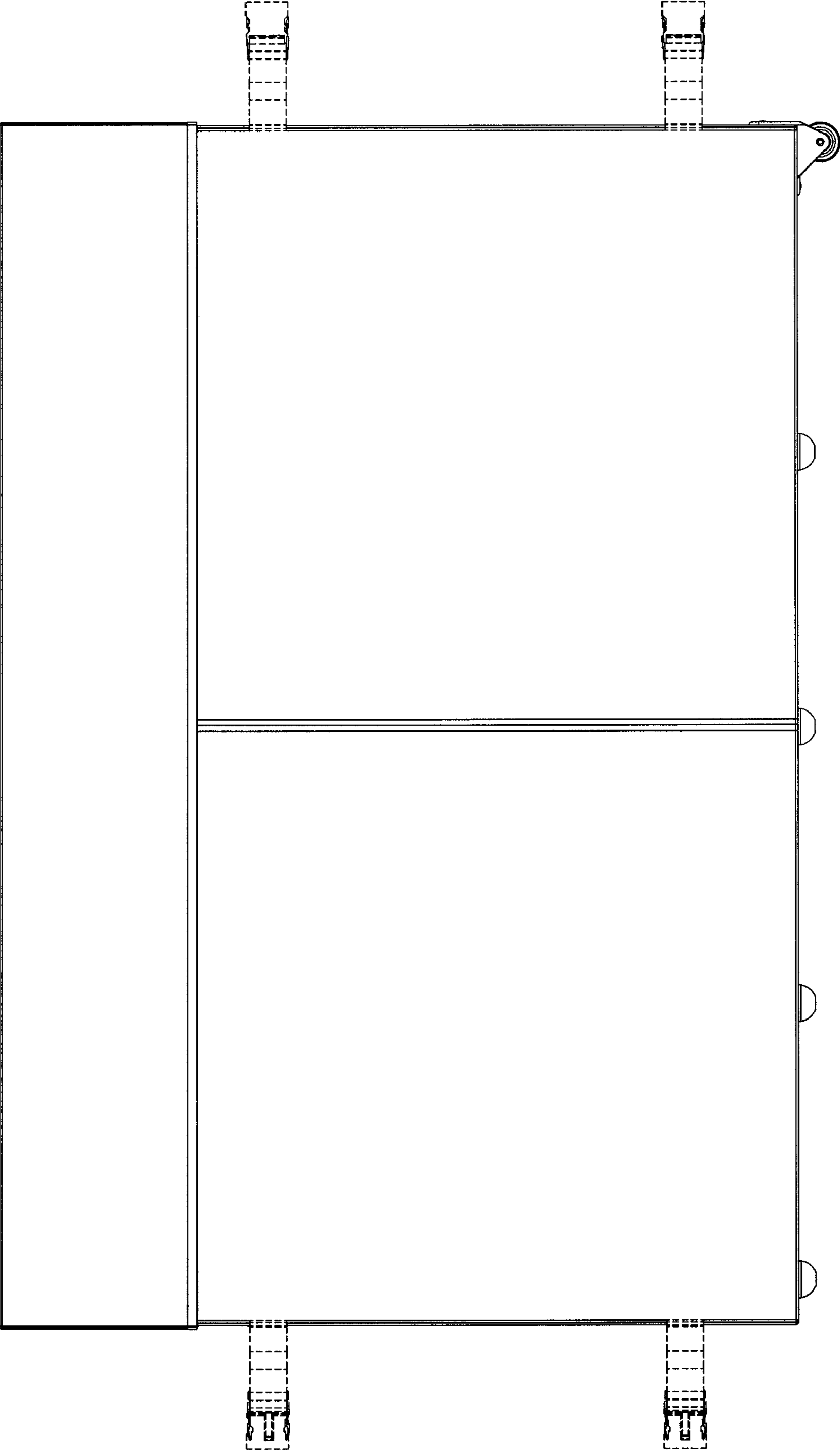


Fig. 4

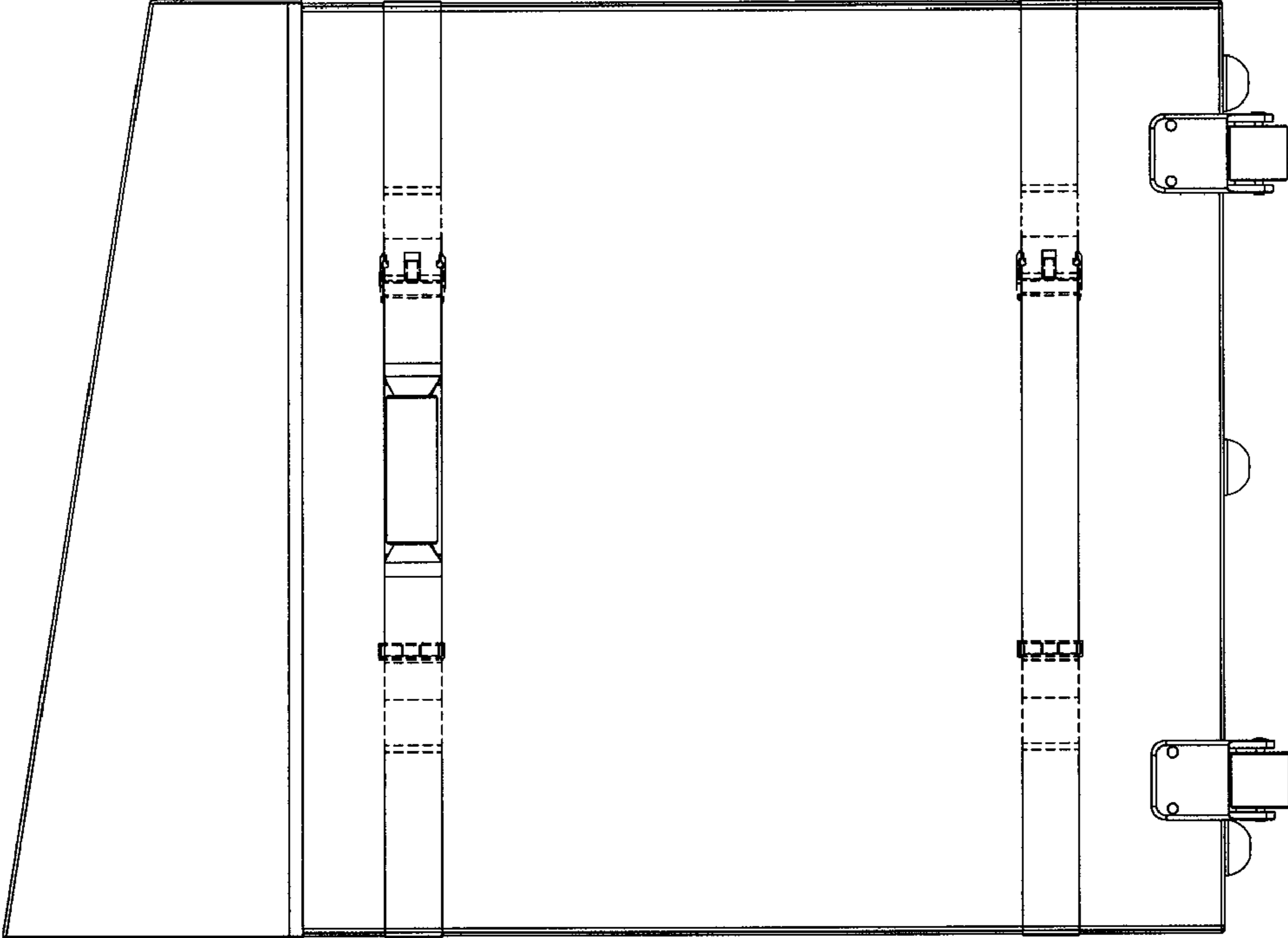


Fig. 5

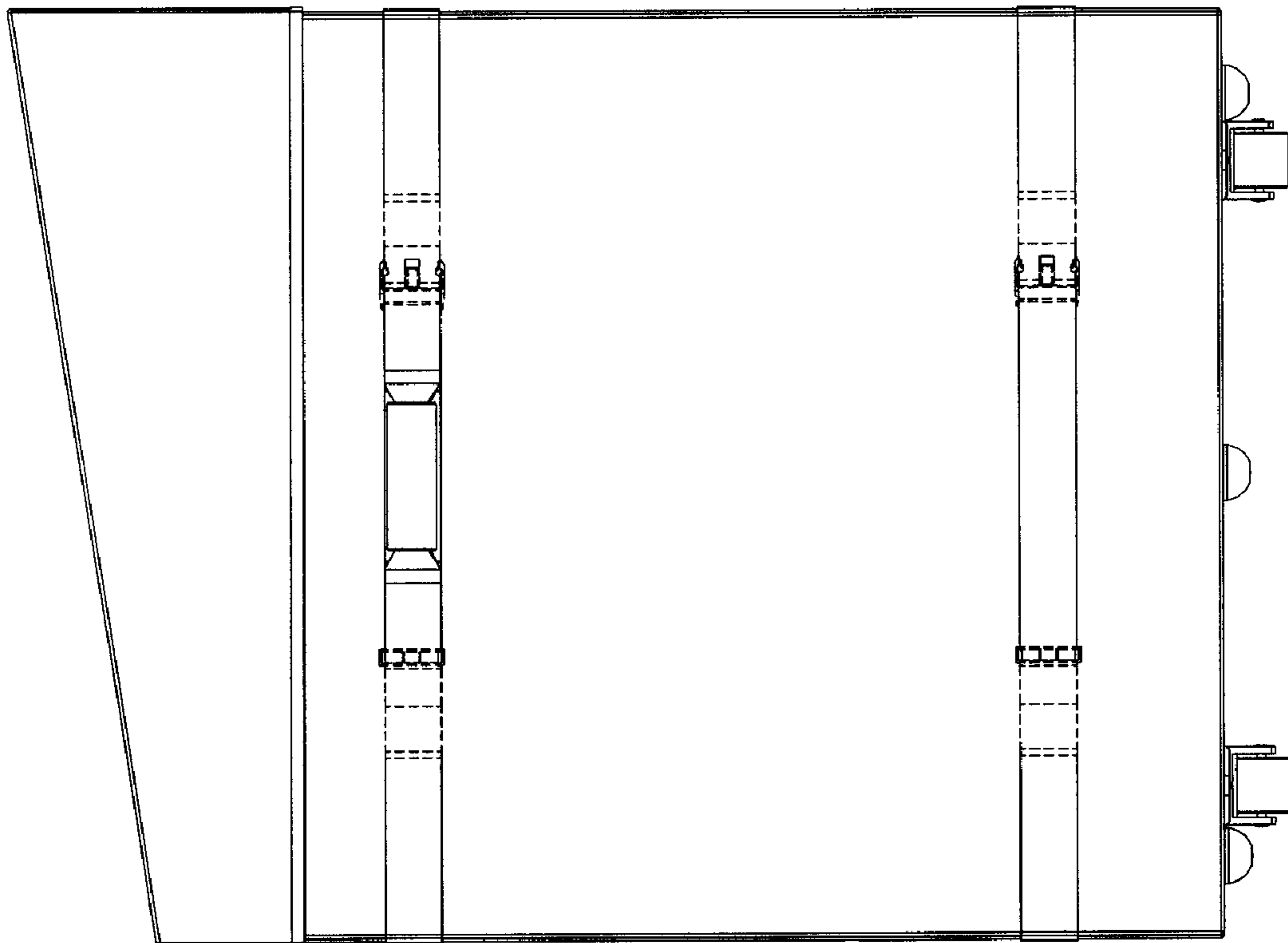


Fig. 6

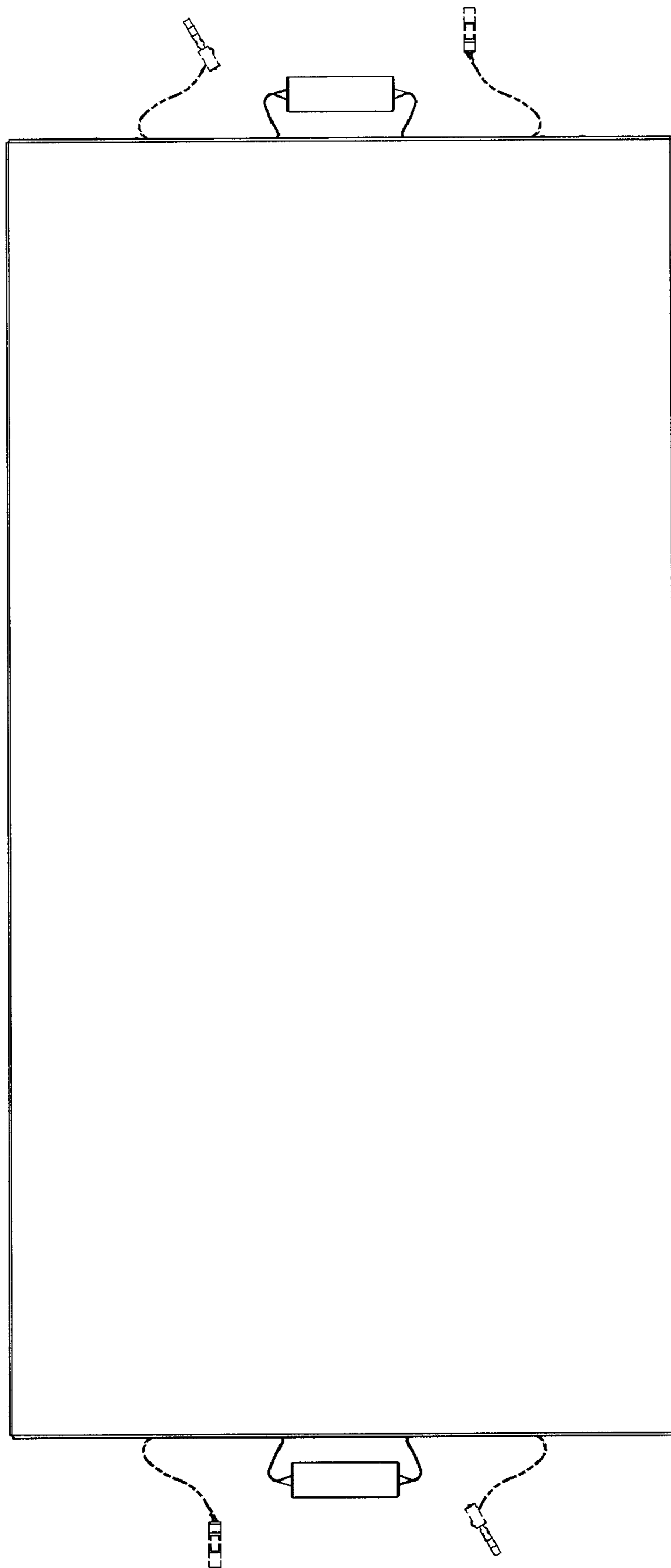


Fig. 7

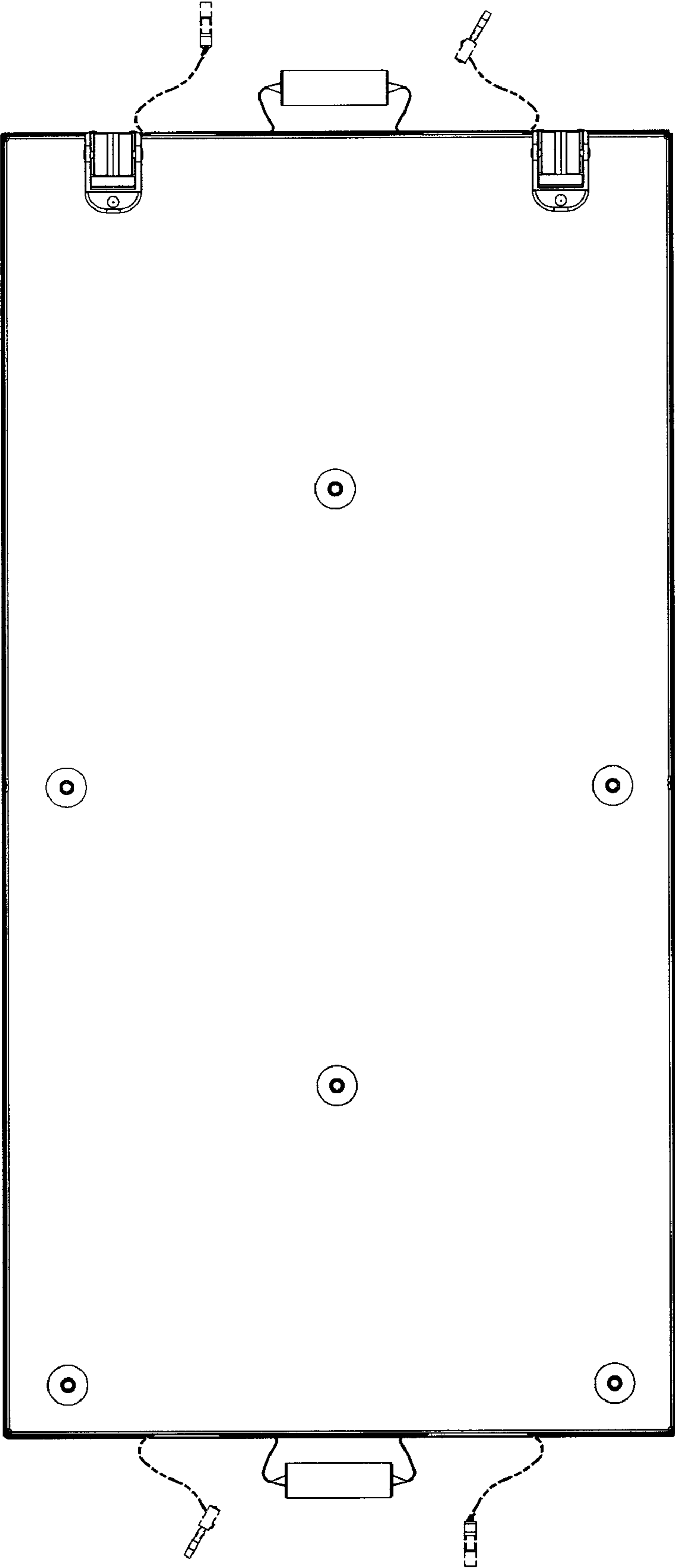


Fig. 8