



US00D618447S

(12) **United States Design Patent**
Rhodes

(10) **Patent No.:** **US D618,447 S**
(45) **Date of Patent:** **** Jun. 29, 2010**

(54) **ROAD RAG WITH MIDDLE AND SIDE ZIPPER POUCHES**

(76) Inventor: **Steve Rhodes**, 926 2nd St., South,
Jacksonville Beach, FL (US) 32250

(**) Term: **14 Years**

(21) Appl. No.: **29/337,576**

(22) Filed: **May 26, 2009**

(51) **LOC (9) Cl.** **02-03**

(52) **U.S. Cl.** **D2/880**

(58) **Field of Classification Search** D2/865,
D2/866, 867, 878, 880, 881, 882, 884, 885,
D2/890; 2/68, 171, 171.04, 171.4, 171.5,
2/171.6, 202, 204, 205, 207, 209.11
See application file for complete search history.

(56) **References Cited**

U.S. PATENT DOCUMENTS

1,798,024	A *	3/1931	McBride	2/68
2,106,571	A *	1/1938	Lipton	2/171.5
2,341,897	A *	2/1944	Bertino	2/68
D144,221	S *	3/1946	Schaefer	D2/865
2,417,323	A *	3/1947	Richards et al.	2/68
D160,404	S *	10/1950	Levine	D2/866
2,556,576	A *	6/1951	De Carolis	132/274
D269,562	S *	7/1983	Glassman	D2/880
5,046,193	A *	9/1991	Foresman et al.	2/68
D359,384	S *	6/1995	Dlugokeski	D2/880
5,539,929	A *	7/1996	Revson	2/195.1
D440,380	S *	4/2001	Orr et al.	D2/866
6,230,331	B1 *	5/2001	Aguilar et al.	2/209.11
6,247,180	B1 *	6/2001	Heinz	2/171
D472,367	S *	4/2003	Maya	D2/880

6,738,986	B1 *	5/2004	Martin	2/207
D502,590	S *	3/2005	Swain	D2/880
D504,003	S *	4/2005	Lee	D2/882
6,948,189	B2 *	9/2005	Early	2/184.5
7,010,814	B2 *	3/2006	Benziger	2/209.13
7,096,510	B2 *	8/2006	Yeadon	2/202
7,200,874	B2 *	4/2007	Leguenec	2/202
D564,732	S *	3/2008	Cash, Sr.	D2/884
D595,483	S *	7/2009	Behling et al.	D2/882
D603,145	S *	11/2009	Erby	D2/882
2005/0034215	A1 *	2/2005	Harrison et al.	2/207
2006/0021111	A1 *	2/2006	Footman	2/209.13
2007/0074326	A1 *	4/2007	Komechak	2/12
2007/0214545	A1 *	9/2007	Rhodes	2/207

* cited by examiner

Primary Examiner—Elizabeth A Albert
Assistant Examiner—Karen E Eldridge Powers
(74) *Attorney, Agent, or Firm*—Kyle Fletcher

(57) **CLAIM**

The ornamental design for road rag with middle and side zipper pouches, as shown and described.

DESCRIPTION

FIG. 1 is a right side view of the road rag with middle and side zipper pouches.

FIG. 2 is a left view of the claimed design.

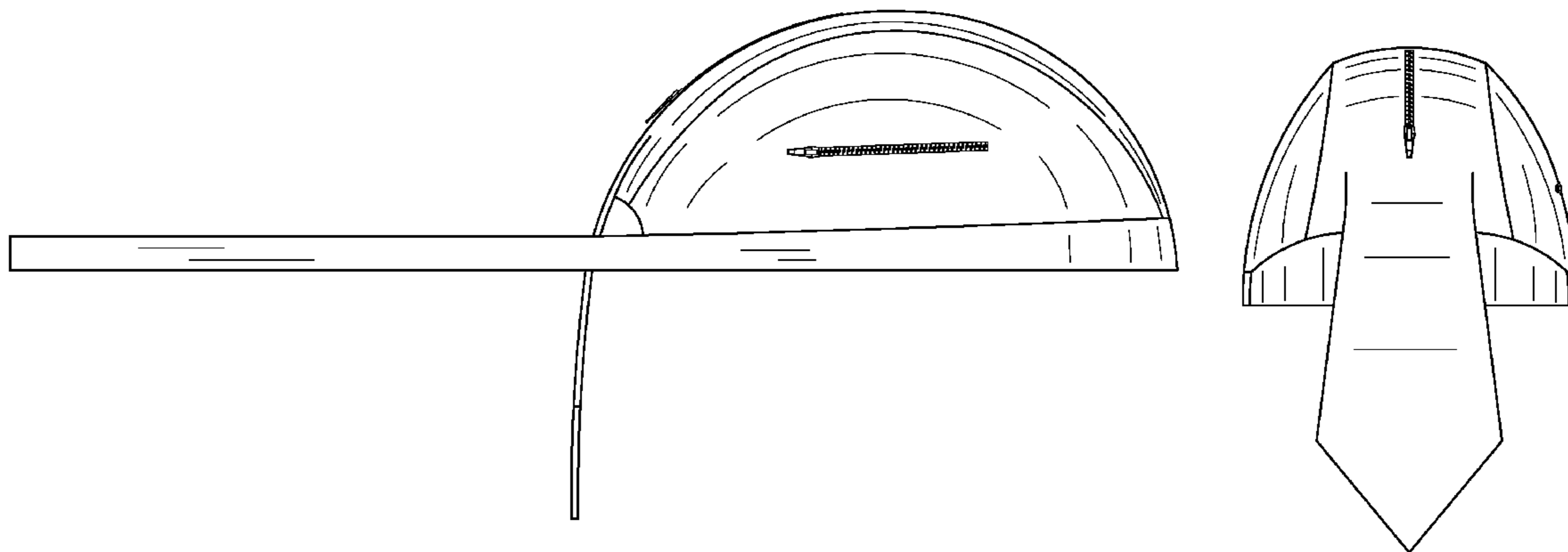
FIG. 3 is a rear view of the claimed design.

FIG. 4 is a front view of the claimed design.

FIG. 5 is a top view of the claimed design; and,

FIG. 6 is a bottom view of the claimed design.

1 Claim, 3 Drawing Sheets



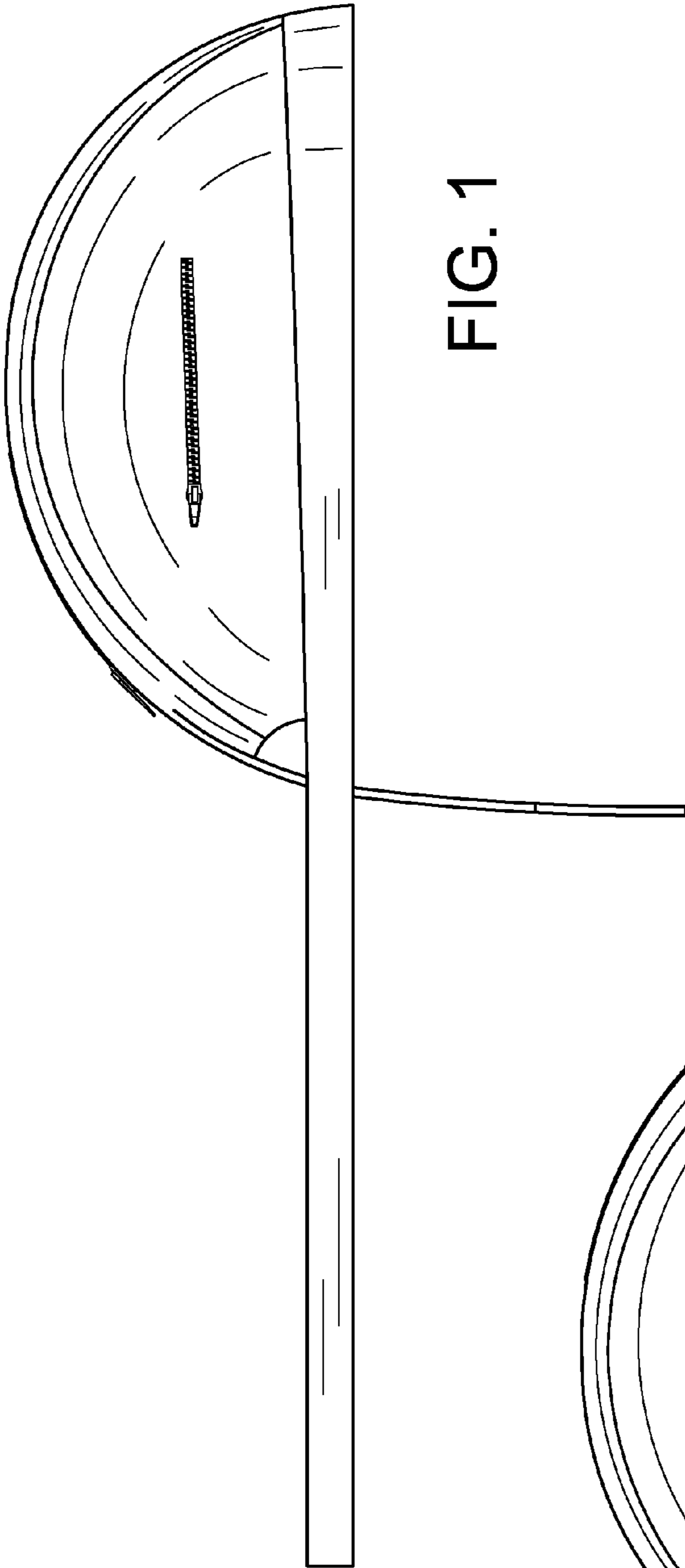


FIG. 1

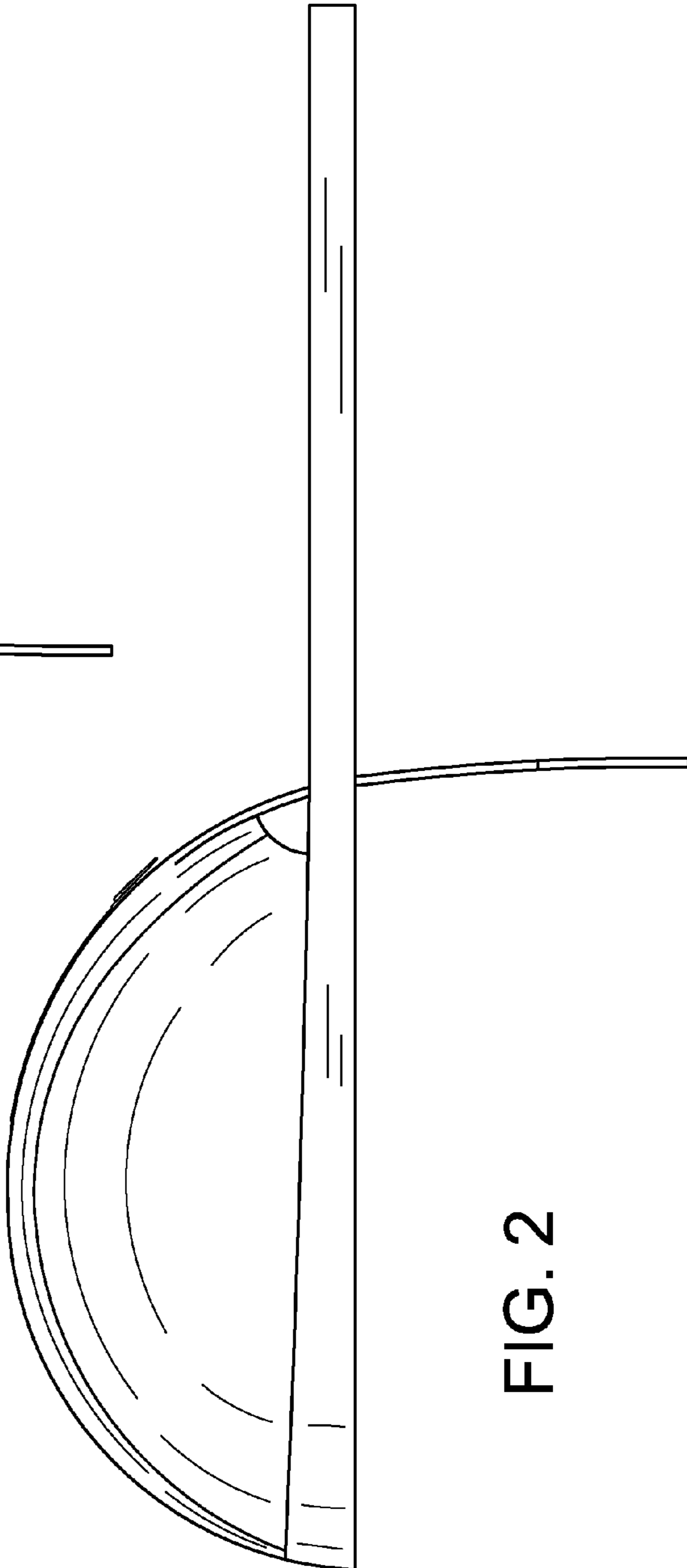


FIG. 2

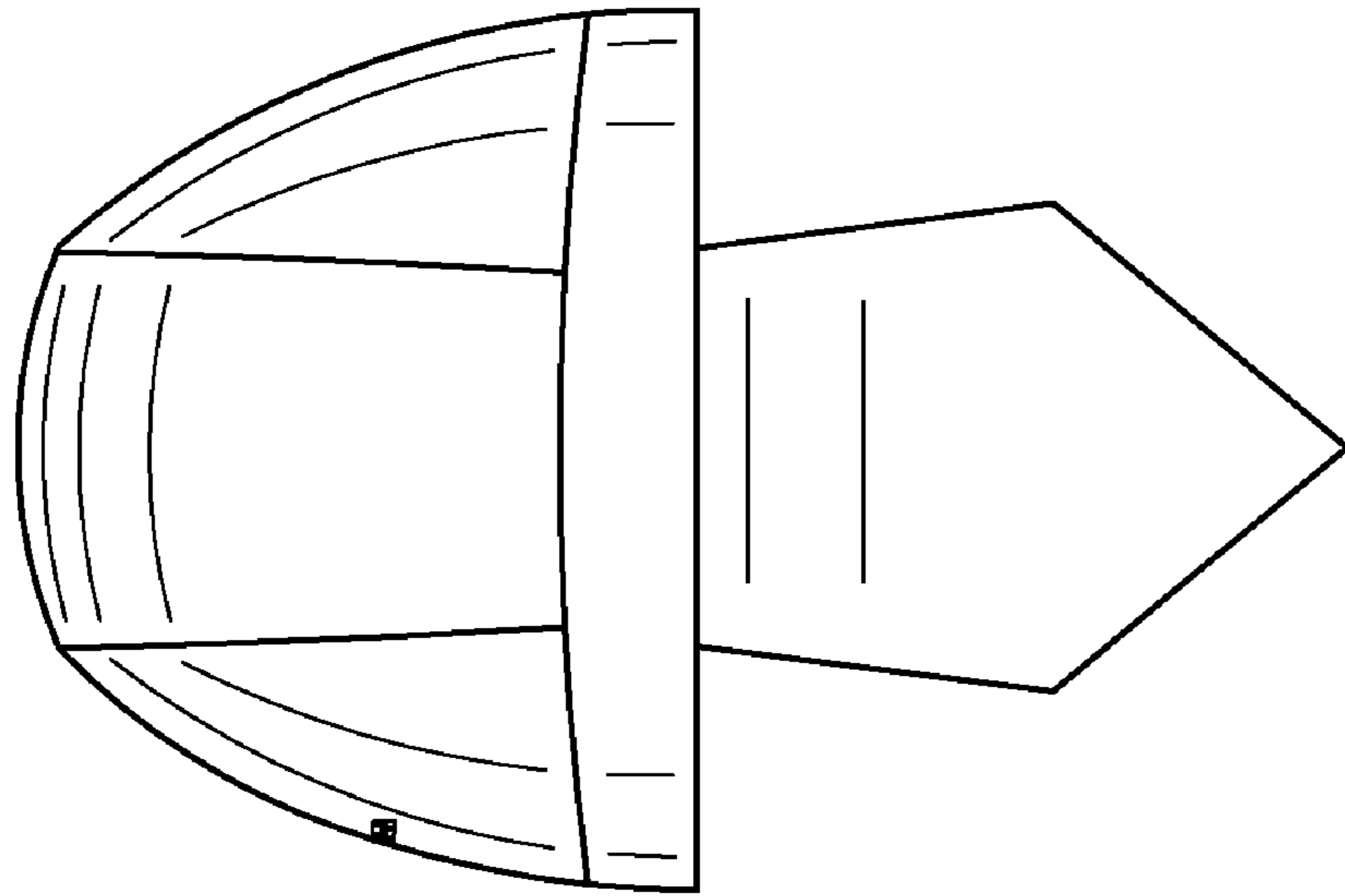


FIG. 4

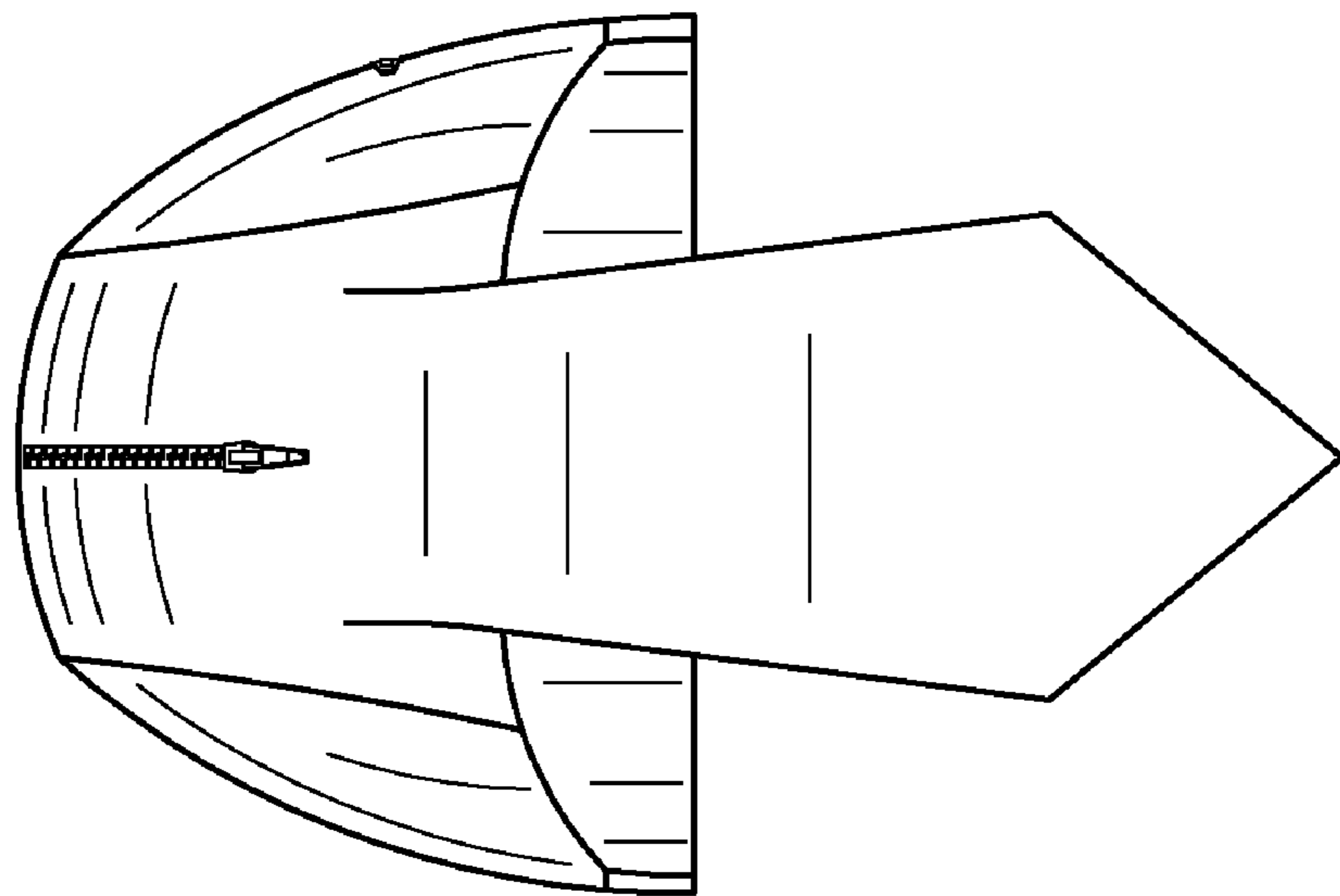


FIG. 3

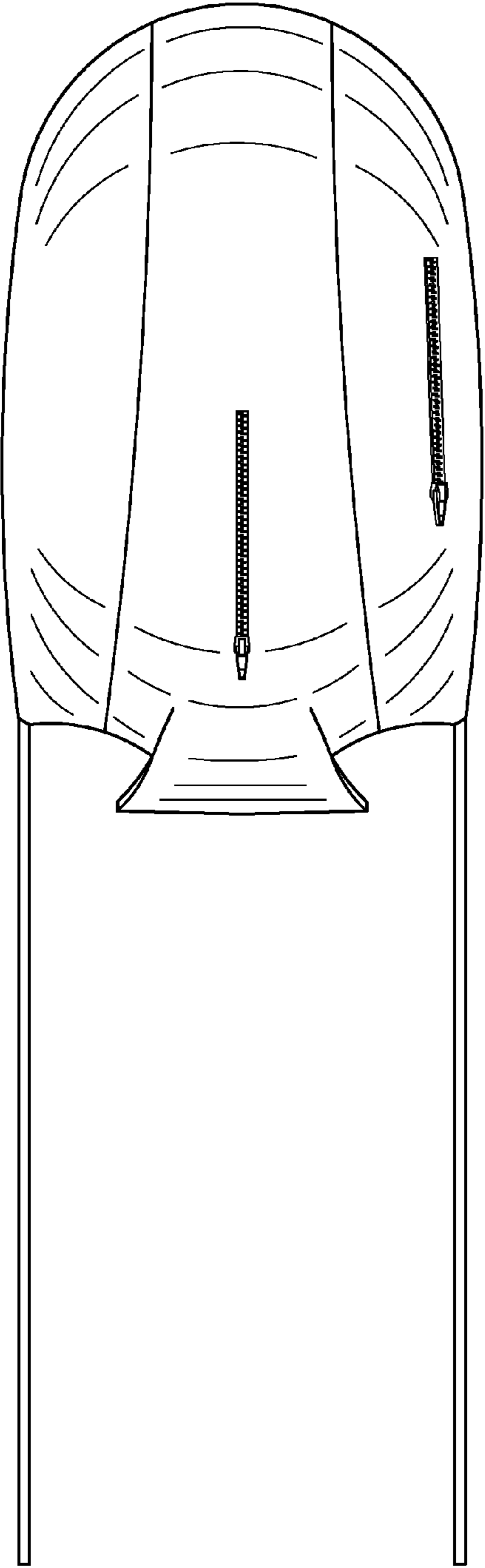


FIG. 5

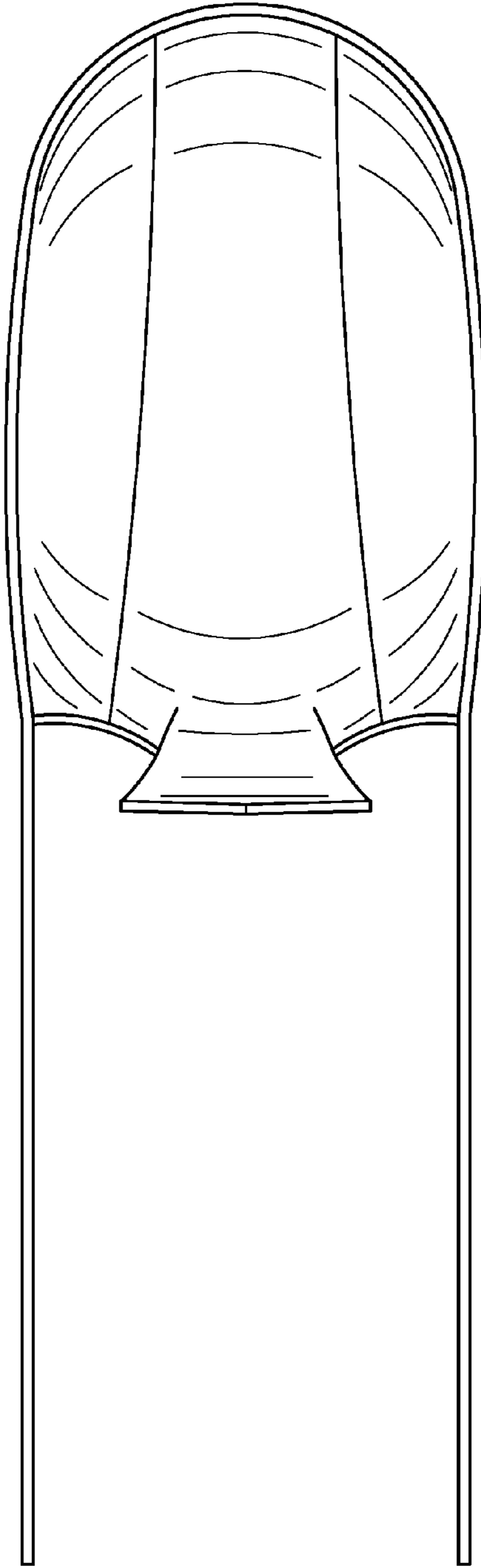


FIG. 6