



US00D618428S

(12) **United States Design Patent**
Unlu et al.

(10) **Patent No.:** **US D618,428 S**

(45) **Date of Patent:** **** Jun. 29, 2010**

(54) **PET TREAT**

(75) Inventors: **Emine Unlu**, Murfreesboro, TN (US);
Cari Ann Enot, Franklin, TN (US);
William Gharibian, Smyrna, TN (US)

(73) Assignee: **Mars, Incorporated**, McLean, VA (US)

(**) Term: **14 Years**

(21) Appl. No.: **29/354,376**

(22) Filed: **Jan. 22, 2010**

(51) **LOC (9) Cl.** **01-01**

(52) **U.S. Cl.** **D1/125; D1/199**

(58) **Field of Classification Search** D1/100,
D1/106, 109, 120, 122, 125-128, 199; D30/160;
D24/102, 103; D25/119-135; 119/706-711;
426/2, 89, 92, 104, 635, 805
See application file for complete search history.

(56) **References Cited**

U.S. PATENT DOCUMENTS

D28,864 S * 6/1898 Baker D25/121

(Continued)

OTHER PUBLICATIONS

U.S. Appl. No. 29/353,792 filed Jan. 14, 2010, by Emine Unlu et al.
entitled "Pet Treat".

Primary Examiner—Cathron C Brooks

Assistant Examiner—Barbara Fox

(74) *Attorney, Agent, or Firm*—Arent Fox LLP

(57) **CLAIM**

The ornamental design for a pet treat, as shown and described.

DESCRIPTION

FIG. 1 is a perspective view of a pet treat showing our new design according to a first embodiment;

FIG. 2 is a front view of the design shown in FIG. 1, the rear view being identical thereto;

FIG. 3 is a left side view of the design shown in FIG. 1, the right side view being identical thereto;

FIG. 4 is a top view of the design shown in FIG. 1;

FIG. 5 is a bottom view of the design shown in FIG. 1;

FIG. 6 is a perspective view of a pet treat showing our new design according to a second embodiment, it being identical to the first embodiment except that it is shown broken apart to indicate that no specific length is claimed;

FIG. 7 is a perspective view of a pet treat showing our new design according to a third embodiment;

FIG. 8 is a front view of the design shown in FIG. 7, the rear view being identical thereto;

FIG. 9 is a left side view of the design shown in FIG. 7, the right side view being identical thereto;

FIG. 10 is a top view of the design shown in FIG. 7;

FIG. 11 is a bottom view of the design shown in FIG. 7;

FIG. 12 is a perspective view of a pet treat showing our new design according to a fourth embodiment;

FIG. 13 is a front view of the design shown in FIG. 12, the rear view being identical thereto;

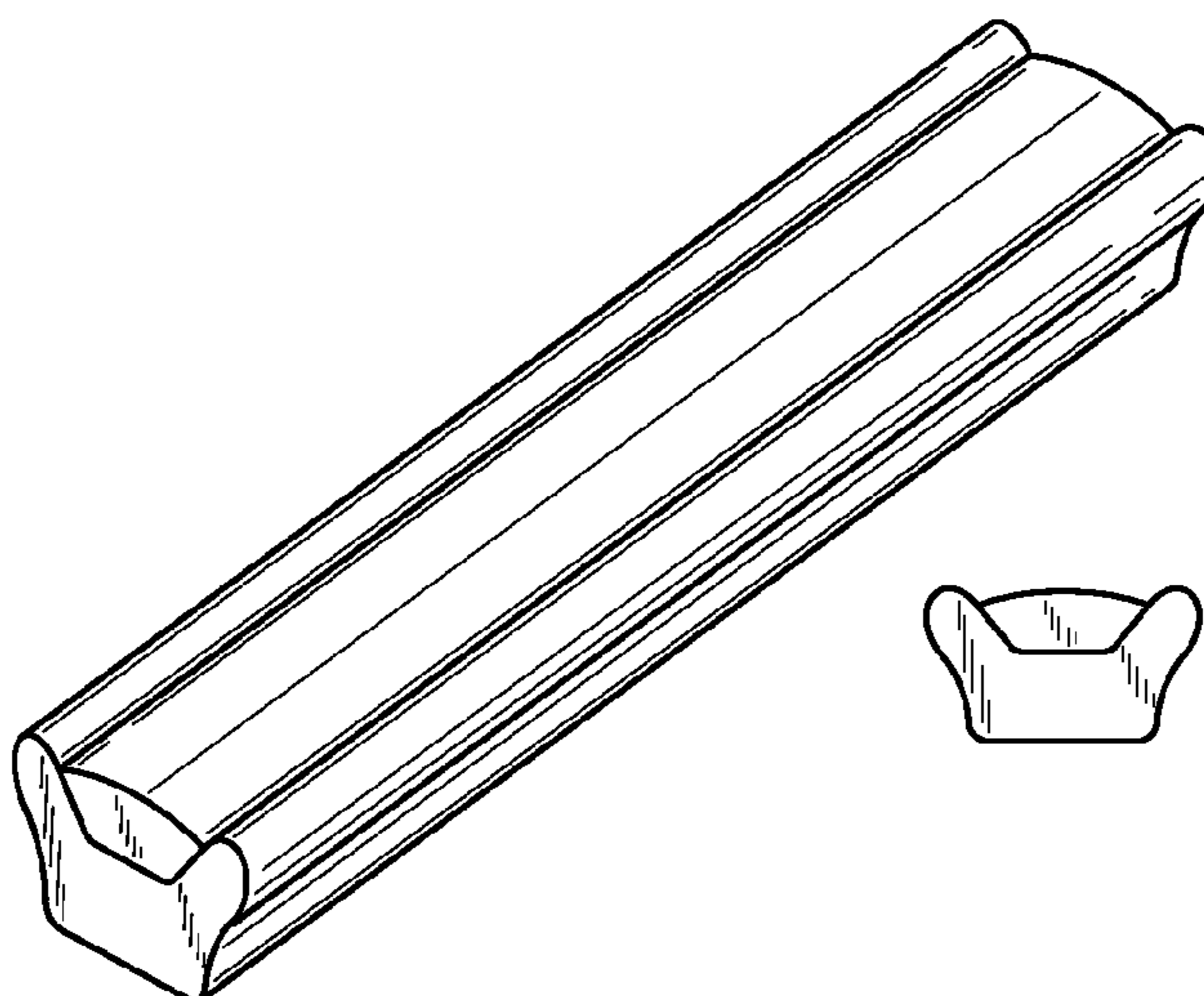
FIG. 14 is a left side view of the design shown in FIG. 12, the right side view being identical thereto;

FIG. 15 is a top view of the design shown in FIG. 12; and,

FIG. 16 is a bottom view of the design shown in FIG. 12.

The broken lines shown in FIG. 6 represent the boundary between claimed and unclaimed areas and form no part of the claimed design.

1 Claim, 10 Drawing Sheets



US D618,428 S

Page 2

U.S. PATENT DOCUMENTS

D182,784 S *	5/1958	Bancroft	D25/121	D503,506 S	4/2005	Tepper et al.	
D191,284 S *	9/1961	O'Donnell	D9/611	D517,774 S	3/2006	Jia et al.	
D251,509 S *	4/1979	Wenrick	D25/122	D533,973 S *	12/2006	Kelsoe et al.	D30/160
D267,776 S	2/1983	Holgersson et al.		D534,706 S *	1/2007	Cuadrado	D1/125
5,194,283 A *	3/1993	Dupas et al.	426/582	D585,627 S	2/2009	Wylie	
D416,662 S	11/1999	Doyle et al.		D586,529 S	2/2009	Ogg	
6,009,682 A *	1/2000	Lehman et al.	52/832	D591,926 S	5/2009	Jia et al.	
D429,402 S *	8/2000	Reisman	D1/128	D603,135 S *	11/2009	Unlu et al.	D1/199
D444,243 S *	6/2001	Erwin	D25/135	D603,136 S *	11/2009	Unlu et al.	D1/199
D497,700 S *	10/2004	Polvilampi	D34/34	2003/0129281 A1	7/2003	Murray et al.	

* cited by examiner

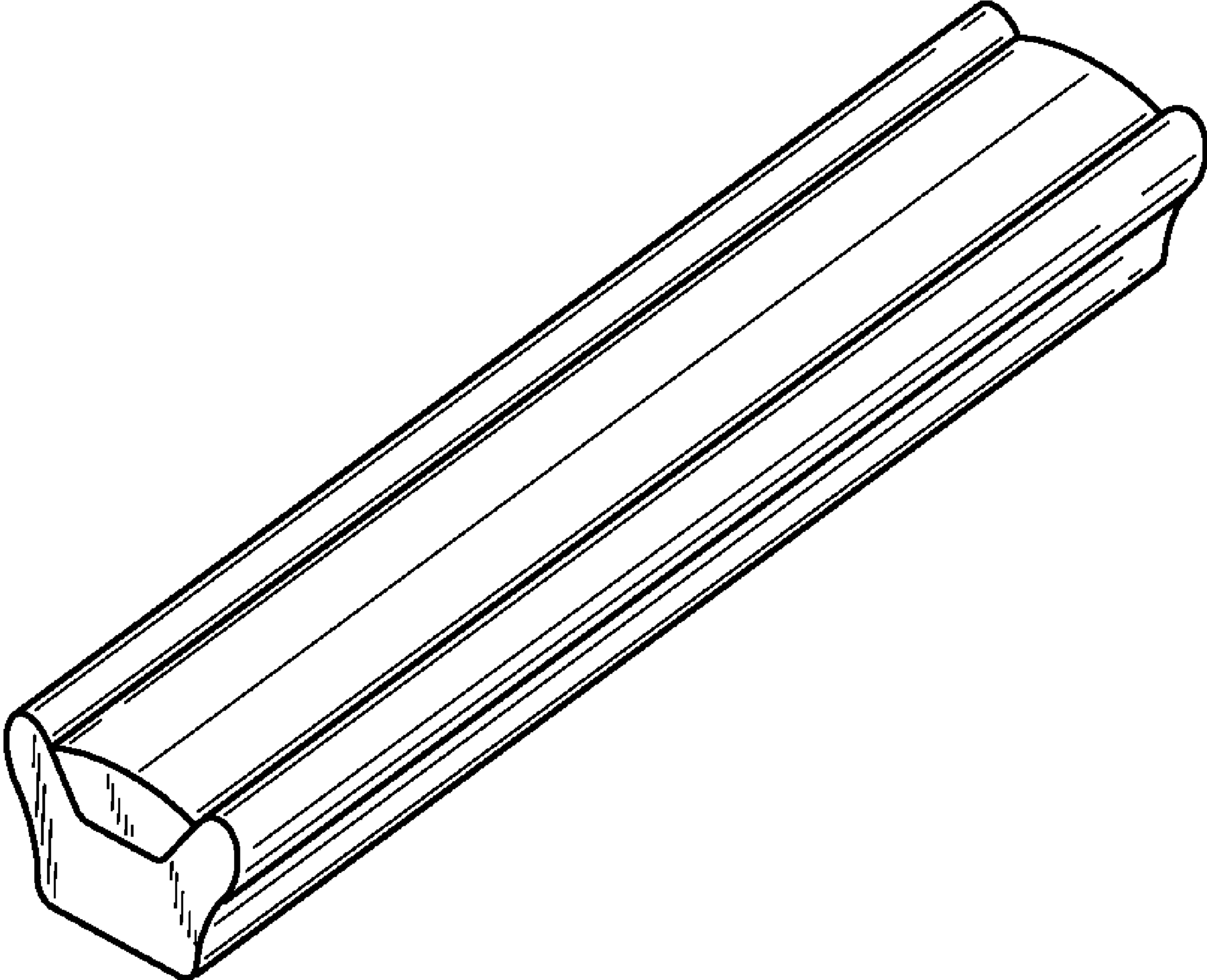


FIG. 1

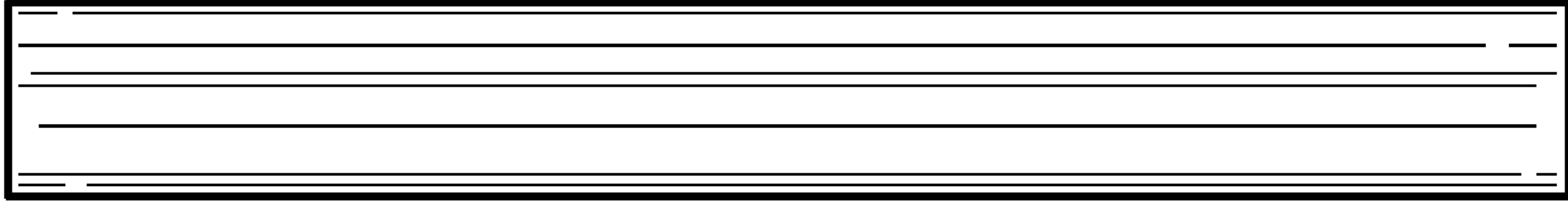


FIG. 2



FIG. 3

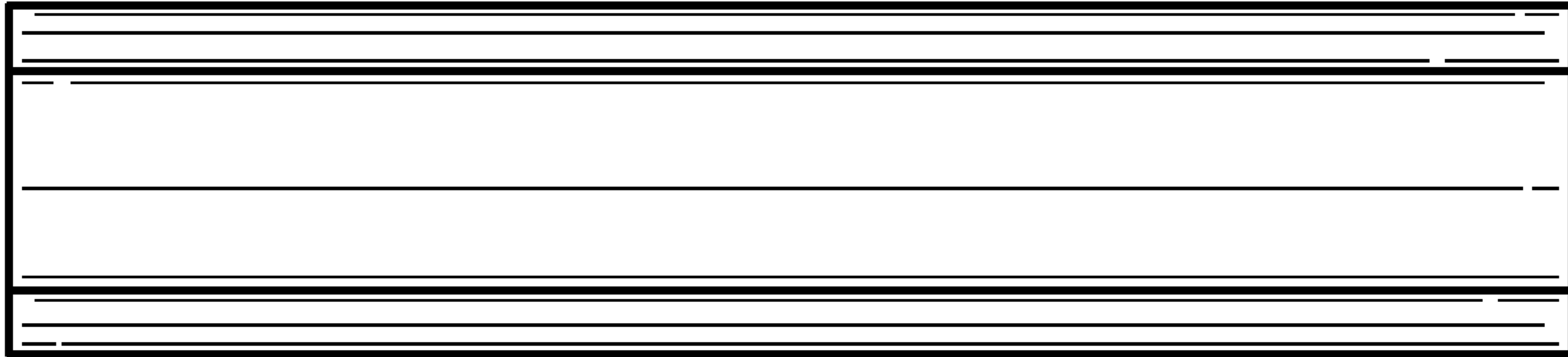


FIG. 4

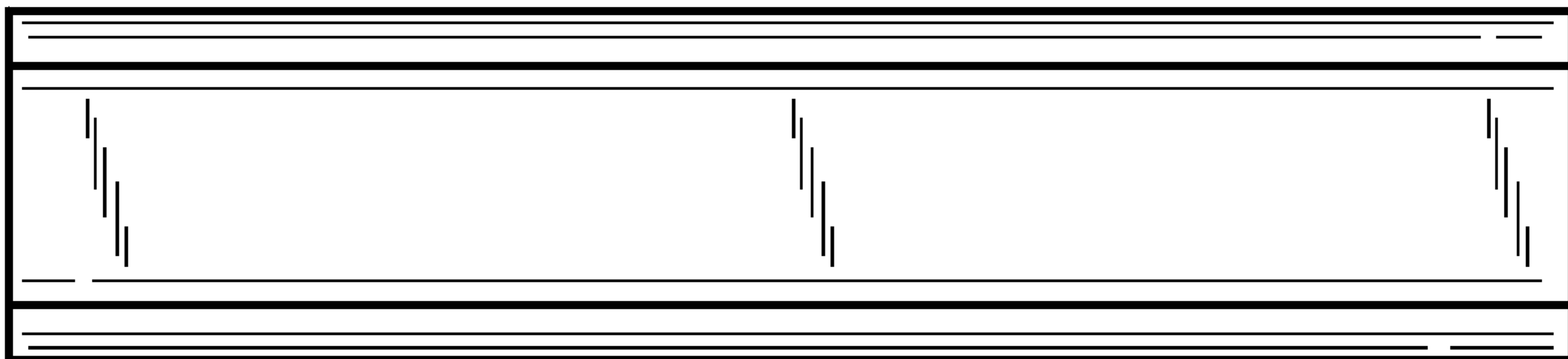


FIG. 5

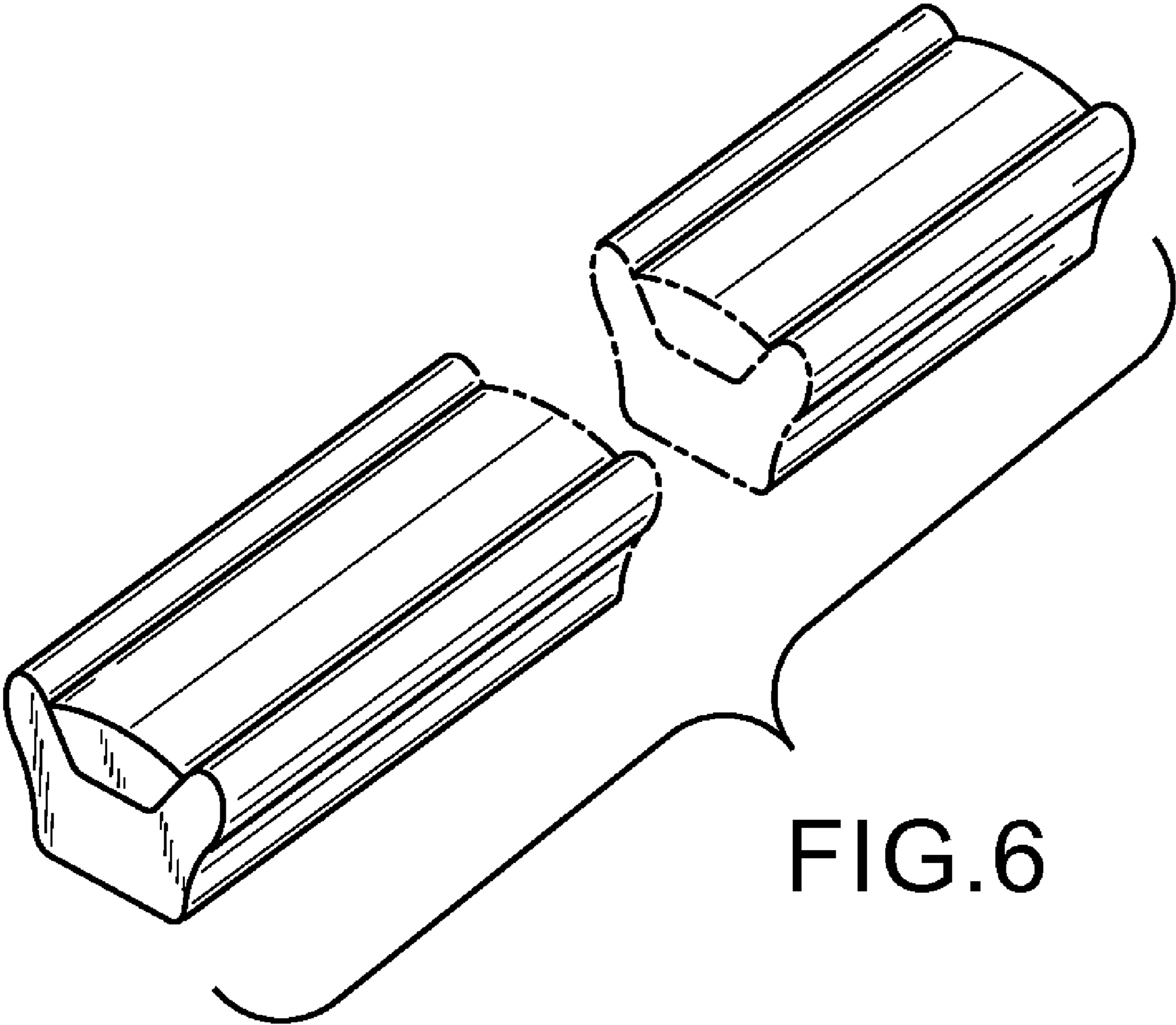


FIG. 6

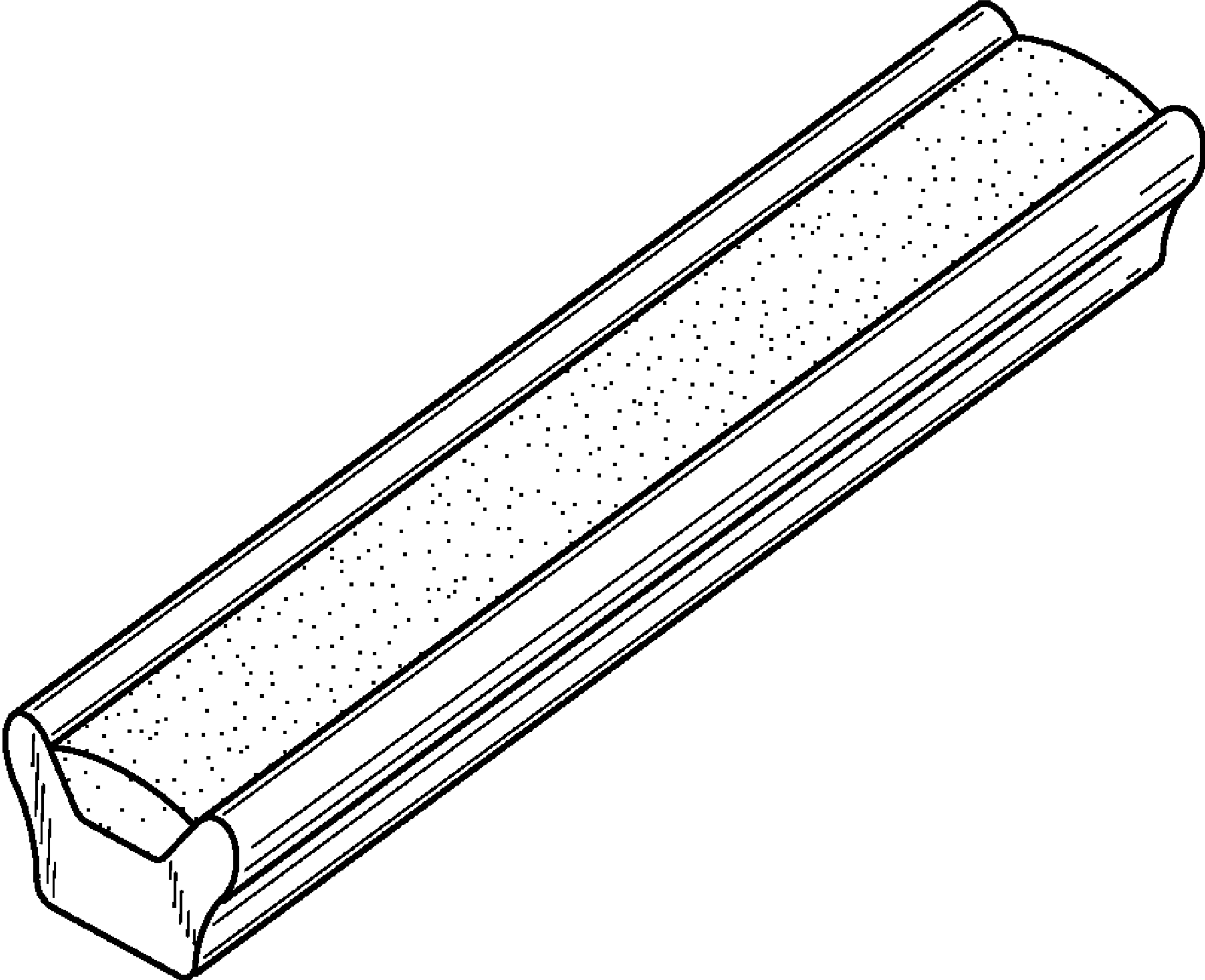


FIG.7

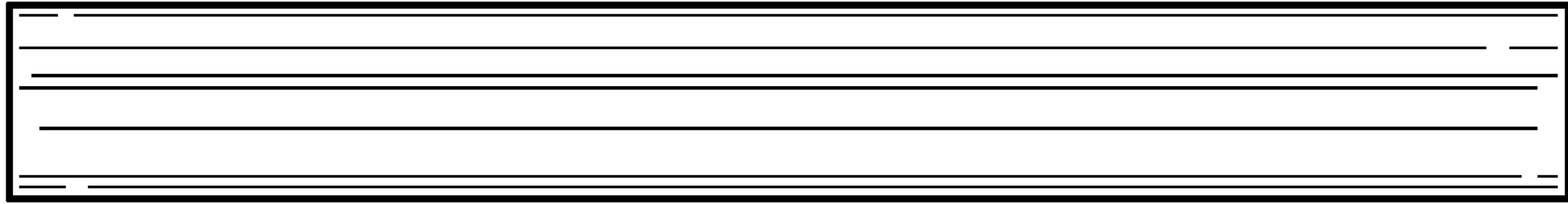


FIG.8

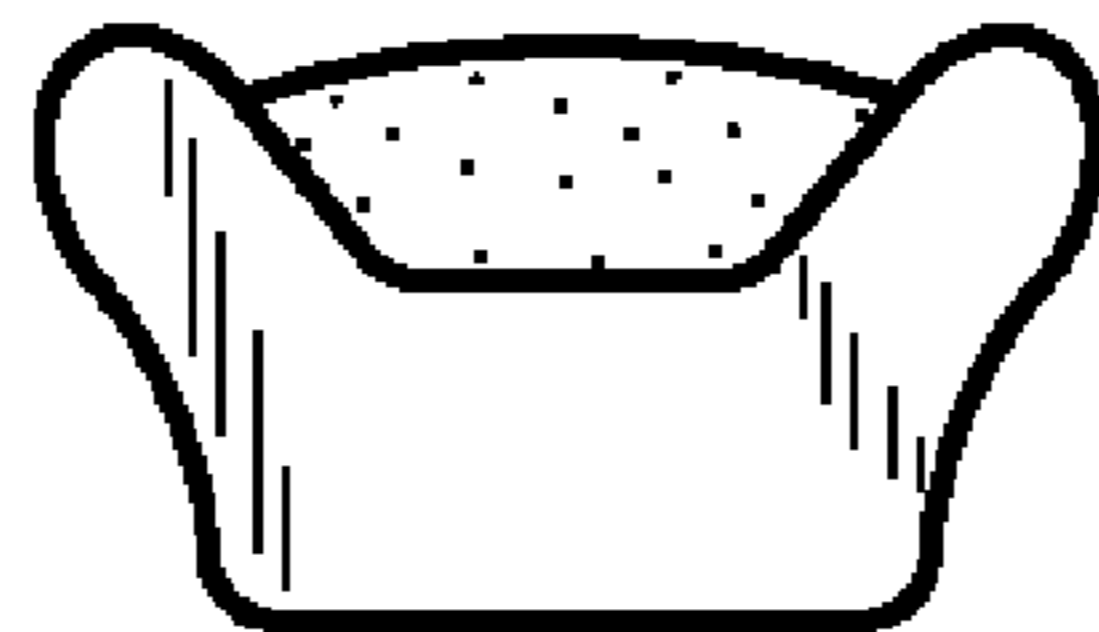


FIG.9

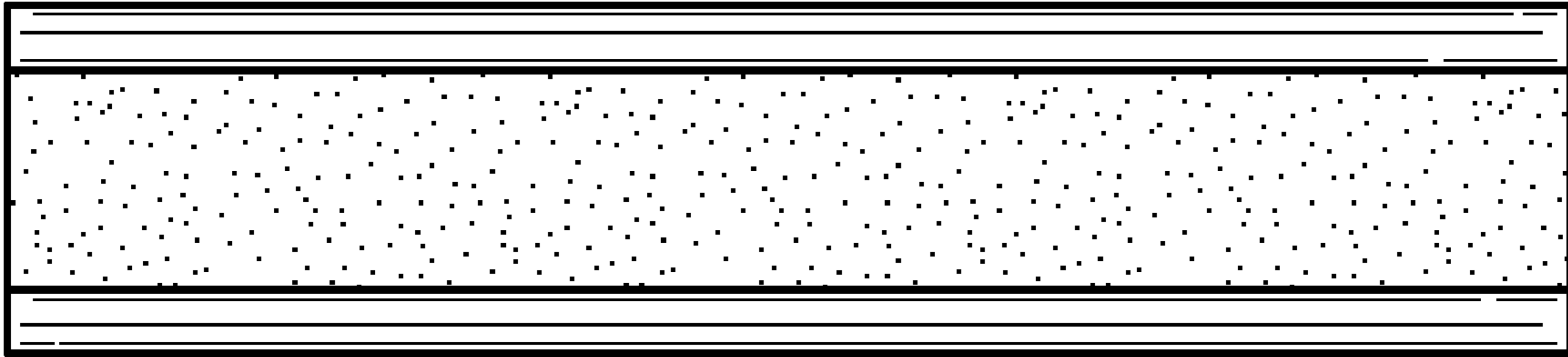


FIG. 10

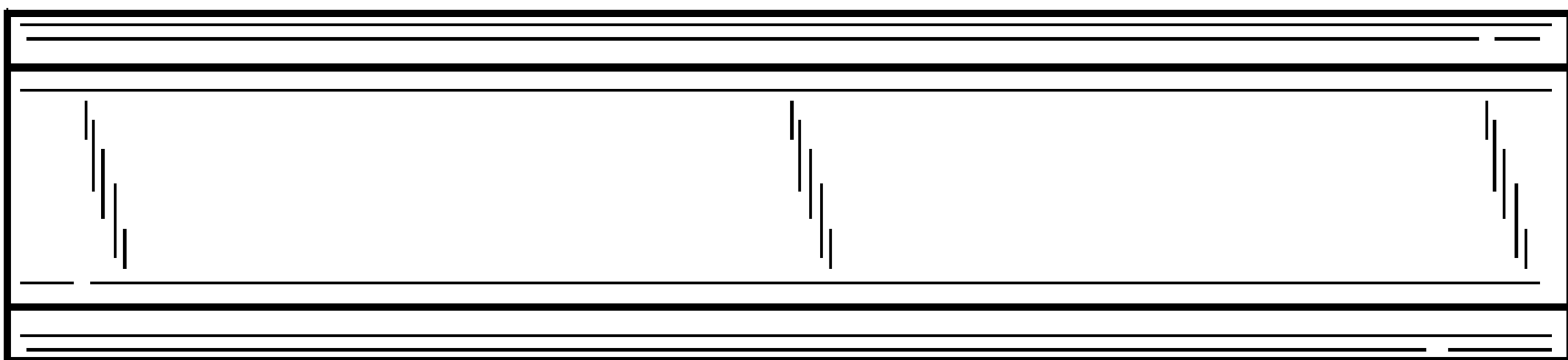


FIG. 11

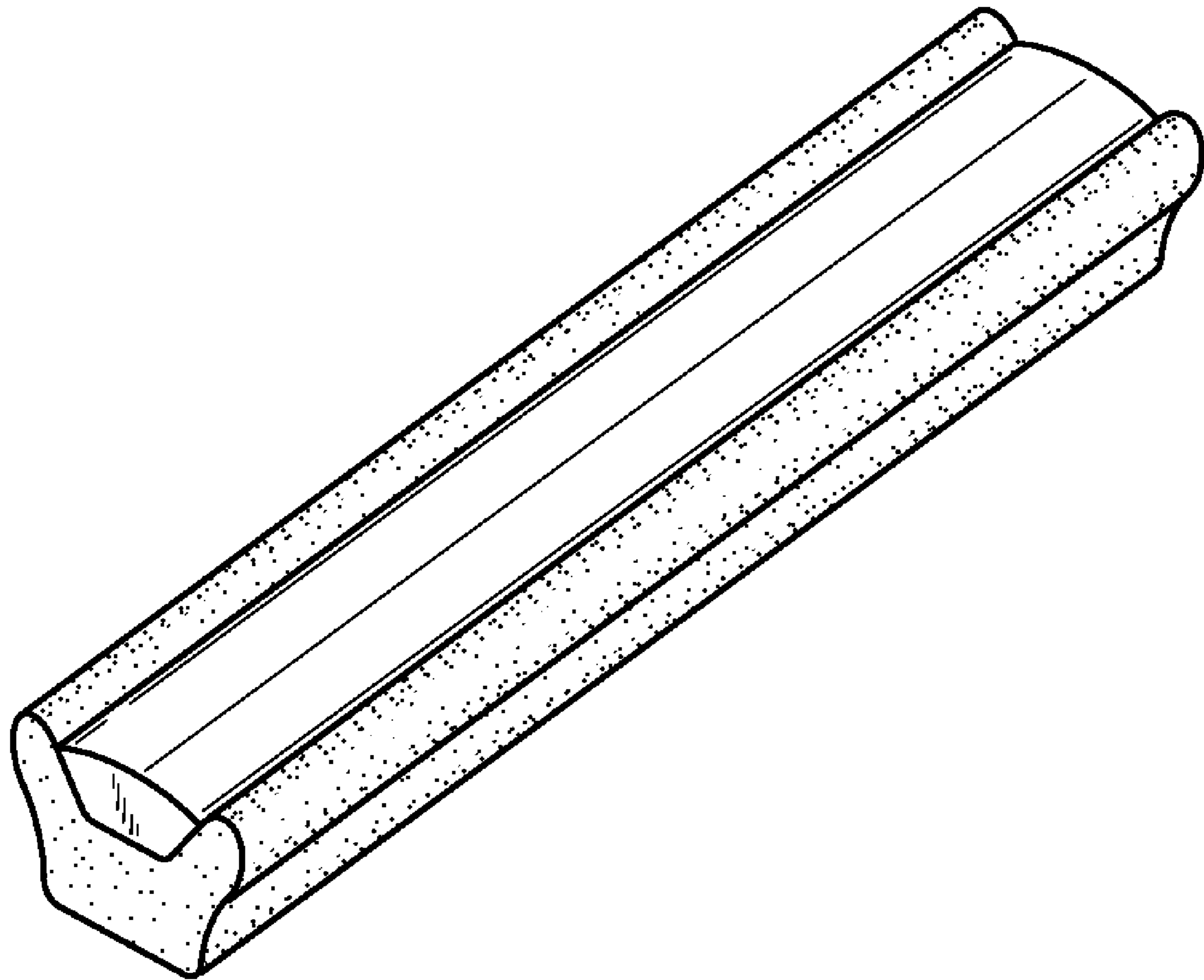


FIG. 12

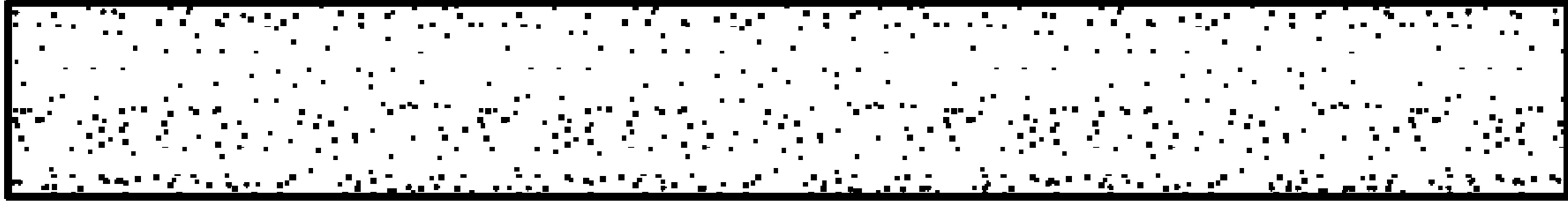


FIG. 13

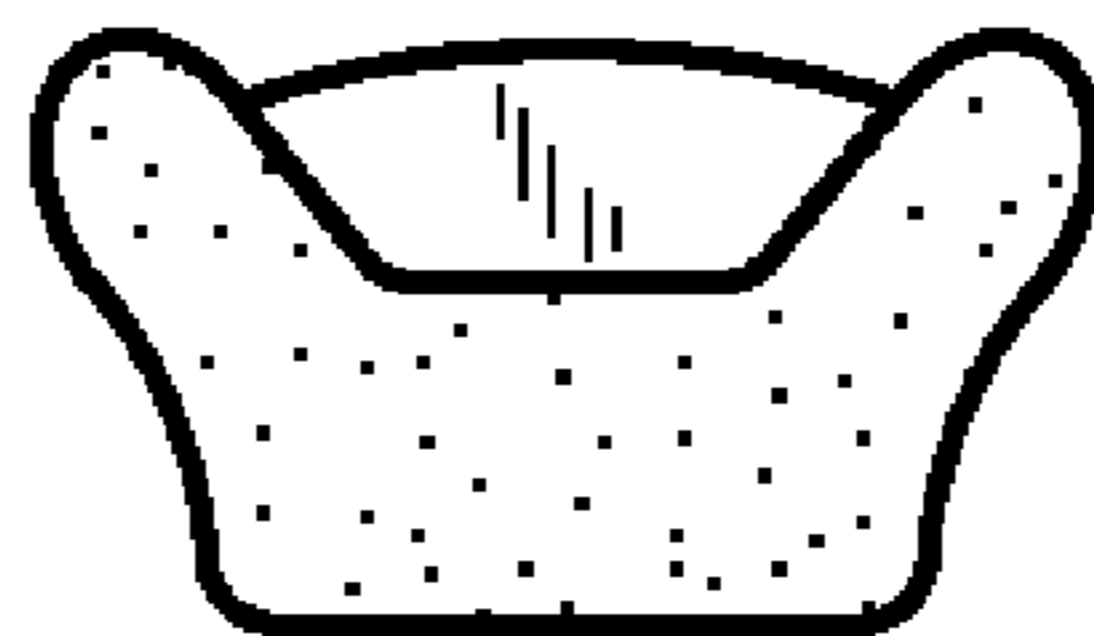


FIG. 14

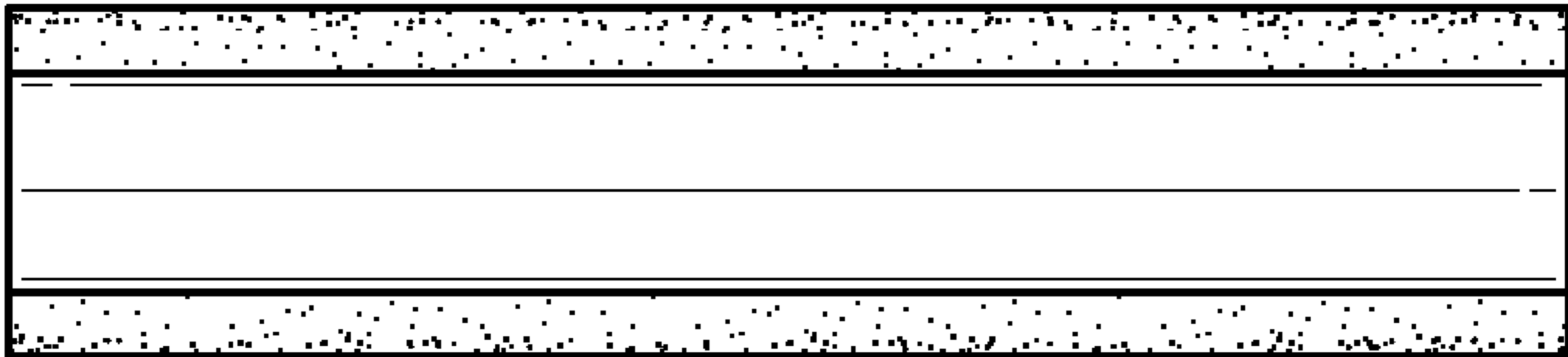


FIG. 15



FIG. 16