



US00D618425S

(12) **United States Design Patent**
Doty

(10) **Patent No.:** **US D618,425 S**
(45) **Date of Patent:** **** Jun. 22, 2010**

- (54) **URN**
- (76) **Inventor:** **Douglas H. Doty**, 8 S. Polestar Point, Inverness, FL (US) 34453
- (**) **Term:** **14 Years**
- (21) **Appl. No.:** **29/353,126**
- (22) **Filed:** **Jan. 3, 2010**

D540,505 S 4/2007 Perreault
D609,874 S * 2/2010 Doty D99/5

* cited by examiner

Primary Examiner—Paula Greene
(74) *Attorney, Agent, or Firm*—Law Office of Steven R. Olsen, PLLC; Steven R. Olsen

Related U.S. Application Data

- (63) Continuation of application No. 29/310,345, filed on Aug. 11, 2008, now Pat. No. Des. 612,571.
 - (51) **LOC (9) Cl.** **99-00**
 - (52) **U.S. Cl.** **D99/5**
 - (58) **Field of Classification Search** D99/1, D99/5, 17, 20; 27/1-17; 40/124.5; 52/103, 52/104, 132, 126, 128, 129, 38; D25/126, D25/129
- See application file for complete search history.

(57) **CLAIM**

The ornamental design for an urn, as shown and described.

DESCRIPTION

FIG. 1 is a front perspective view of an urn showing a first embodiment of my new design, the front perspective view illustrating a front, a top, and a left side thereof, a right side being a mirror image of the left side;

FIG. 2 is a front perspective view of an urn showing a second embodiment of my new design, the front perspective view illustrating a front, a top, and a left side thereof, a right side being a mirror image of the left side;

FIG. 3 is a front perspective view of an urn showing a third embodiment of my new design, the front perspective view illustrating a front, a top, and a left side thereof, a right side being a mirror image of the left side;

FIG. 4 is a front perspective view of an urn showing a fourth embodiment of my new design, the front perspective view illustrating a front, a top, and a left side thereof, a right side being a mirror image of the left side;

FIG. 5 is a rear perspective view according to the first and second embodiments thereof; and,

FIG. 6 is a rear perspective view according to the third and fourth embodiments thereof.

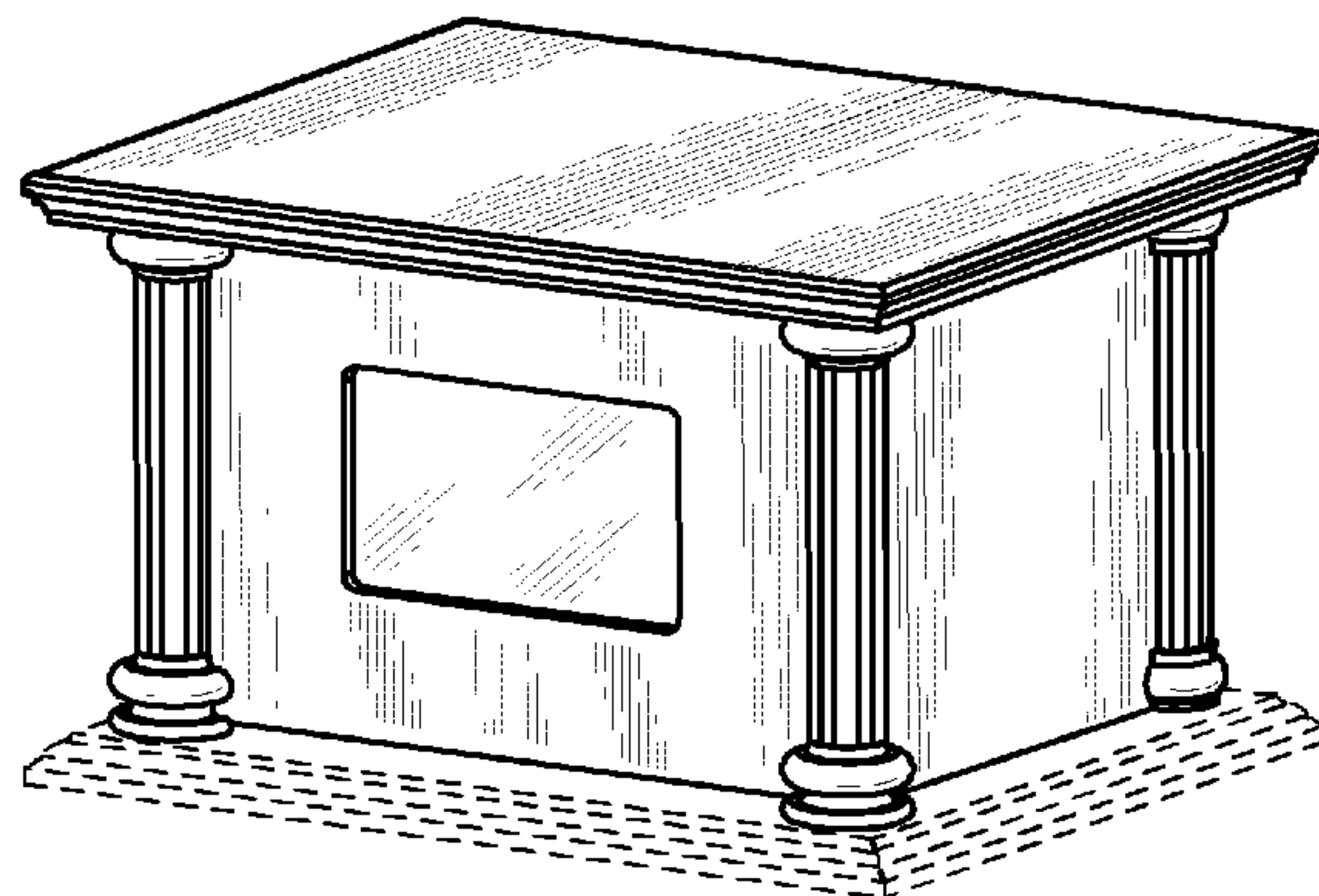
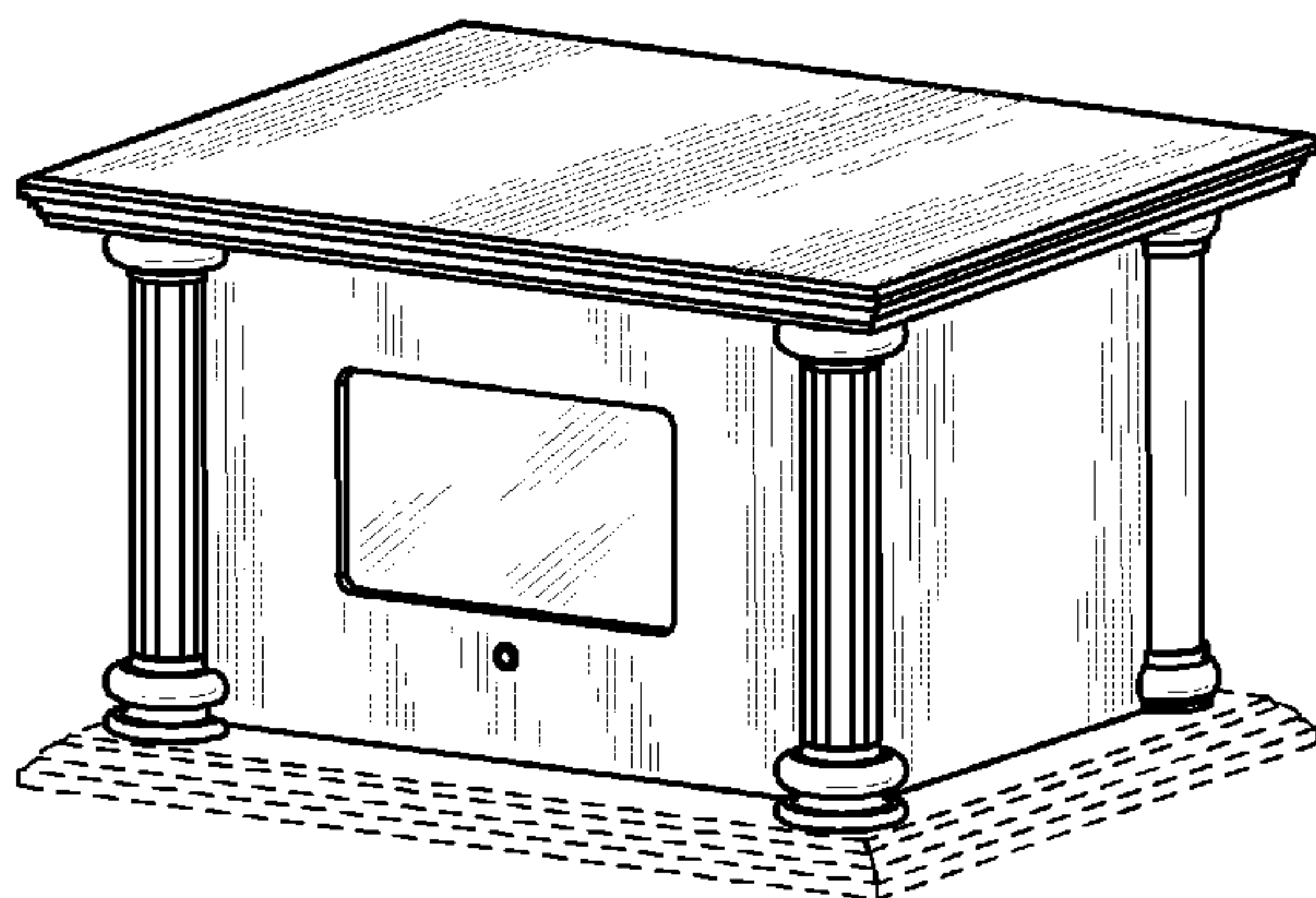
A base is shown in broken lines for illustrative purposes only and forms no part of the claimed design.

(56) **References Cited**

U.S. PATENT DOCUMENTS

196,740	A	11/1877	Bushway	
D12,923	S	5/1882	Spies	
D20,491	S	* 1/1891	Stein	D99/1
D21,582	S	* 5/1892	Smedes	D99/1
604,334	A	5/1898	Myers	
1,167,292	A	10/1916	Graham	
D62,815	S	8/1923	Dwight	
1,643,154	A	* 9/1927	De Young	52/104
D350,010	S	8/1994	May et al.	
D351,270	S	10/1994	Beardsley	
5,696,488	A	12/1997	Assisi	
6,105,288	A	8/2000	Becker	
D432,285	S	10/2000	Baldwin et al.	
D433,209	S	10/2000	Baldwin et al.	
D444,288	S	6/2001	Robinson	

1 Claim, 3 Drawing Sheets



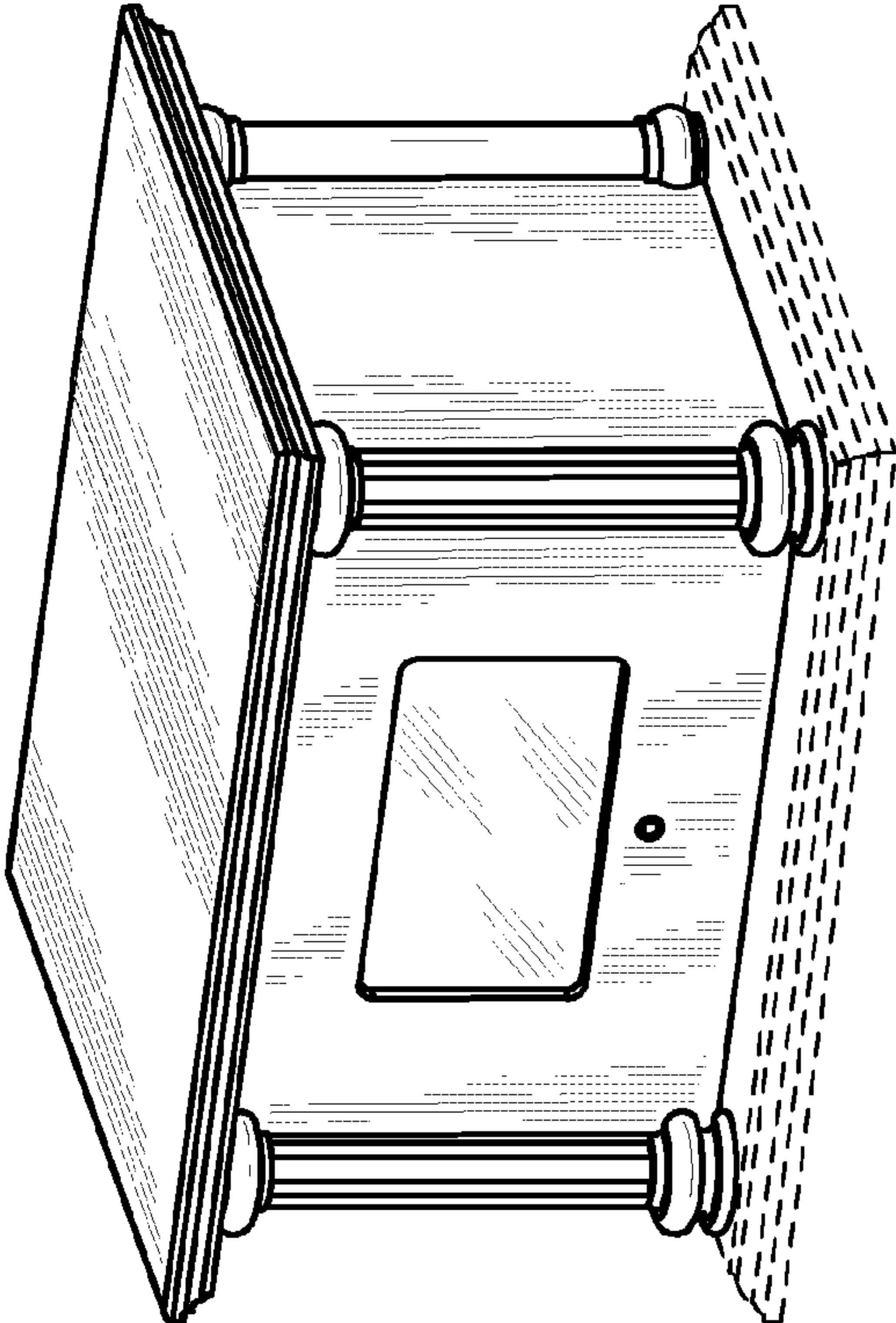


FIG. 1

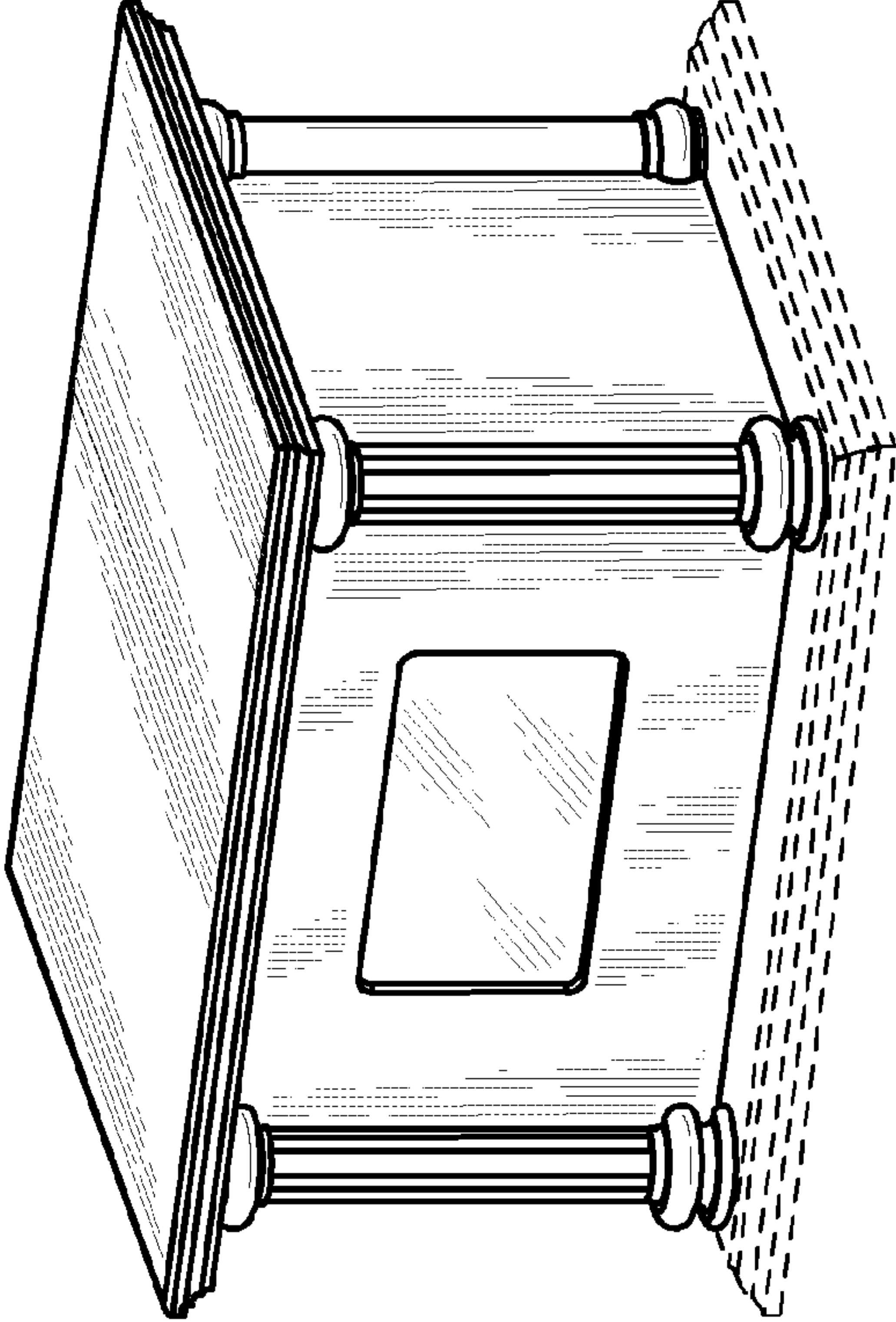


FIG. 2

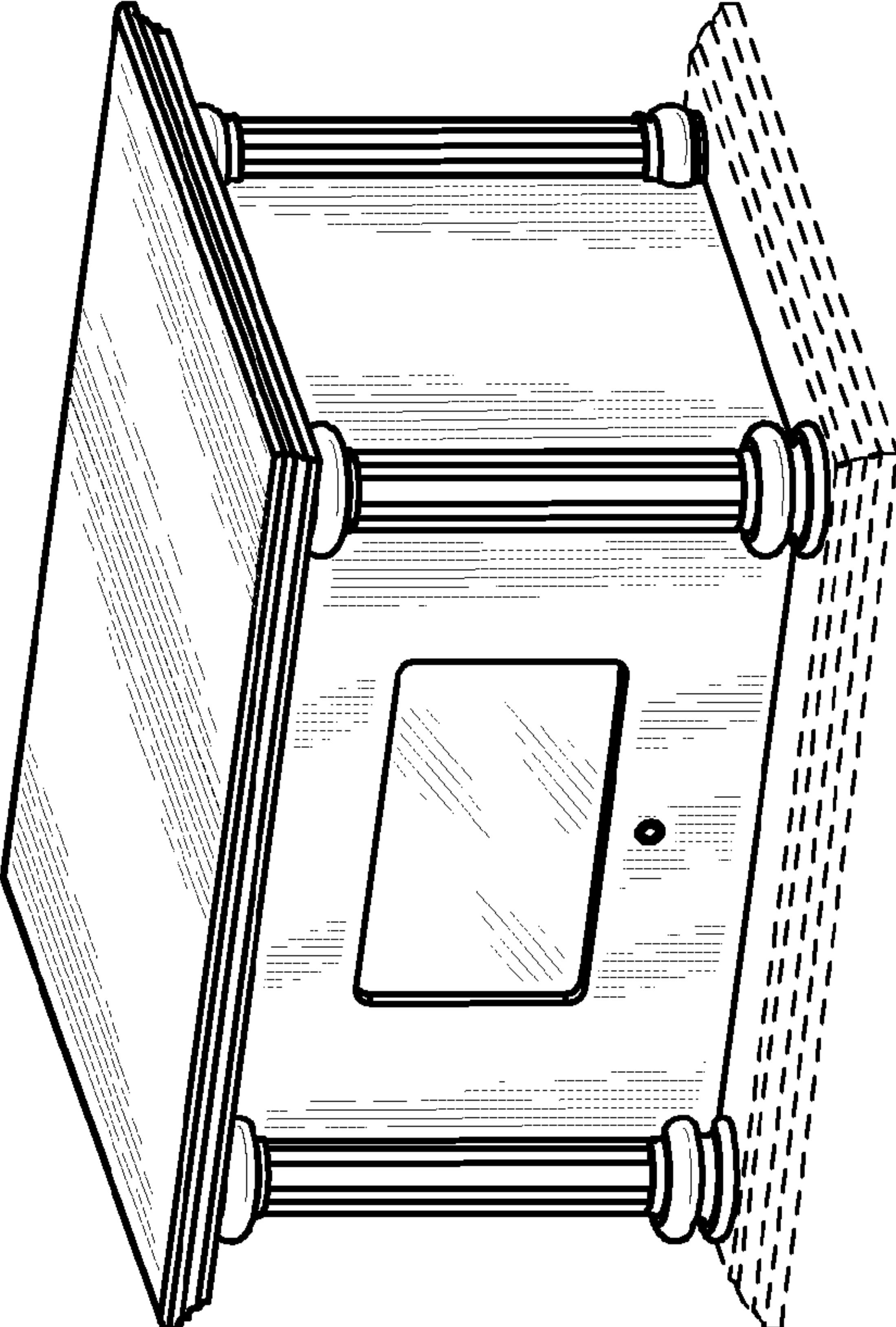


FIG. 3

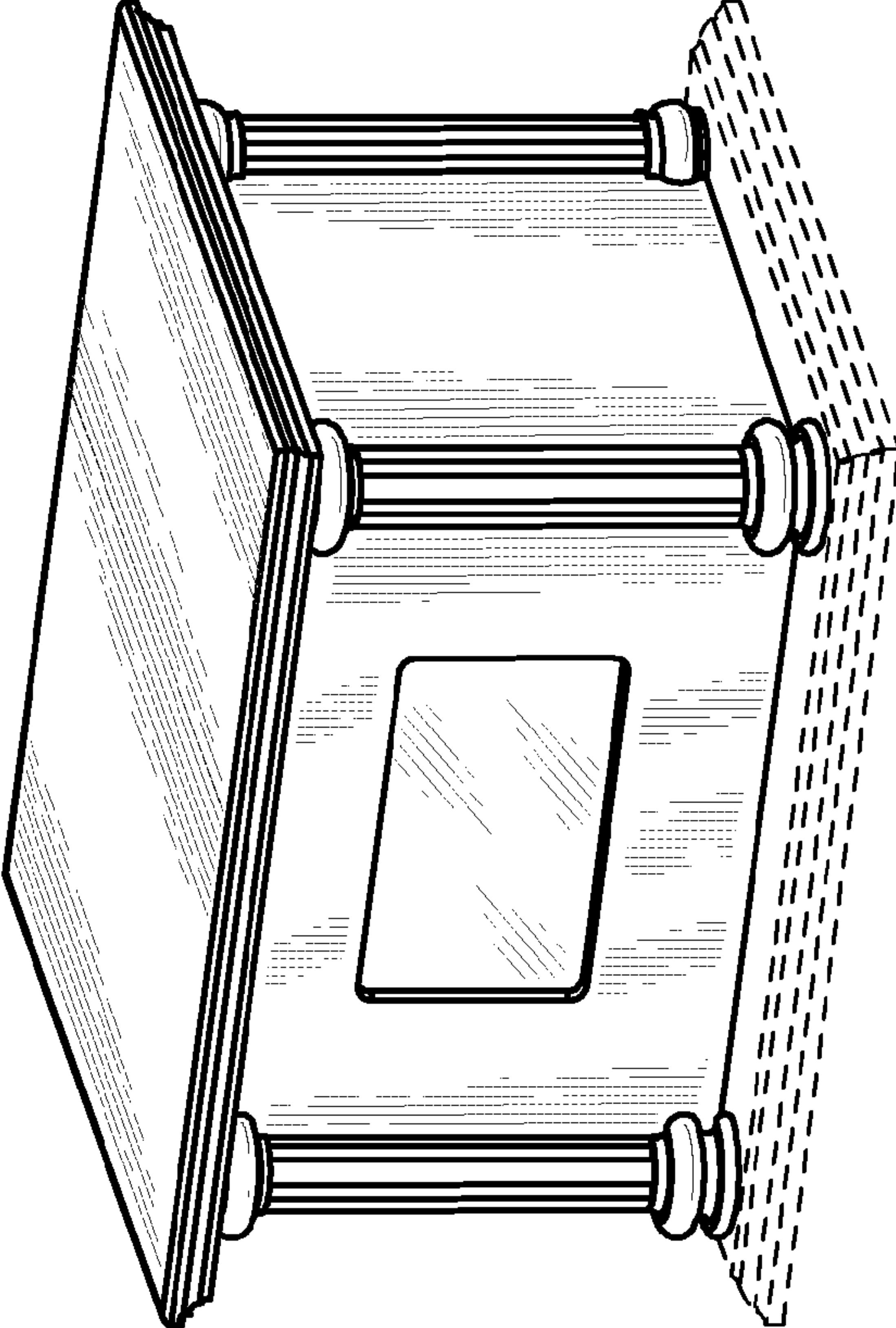


FIG. 4

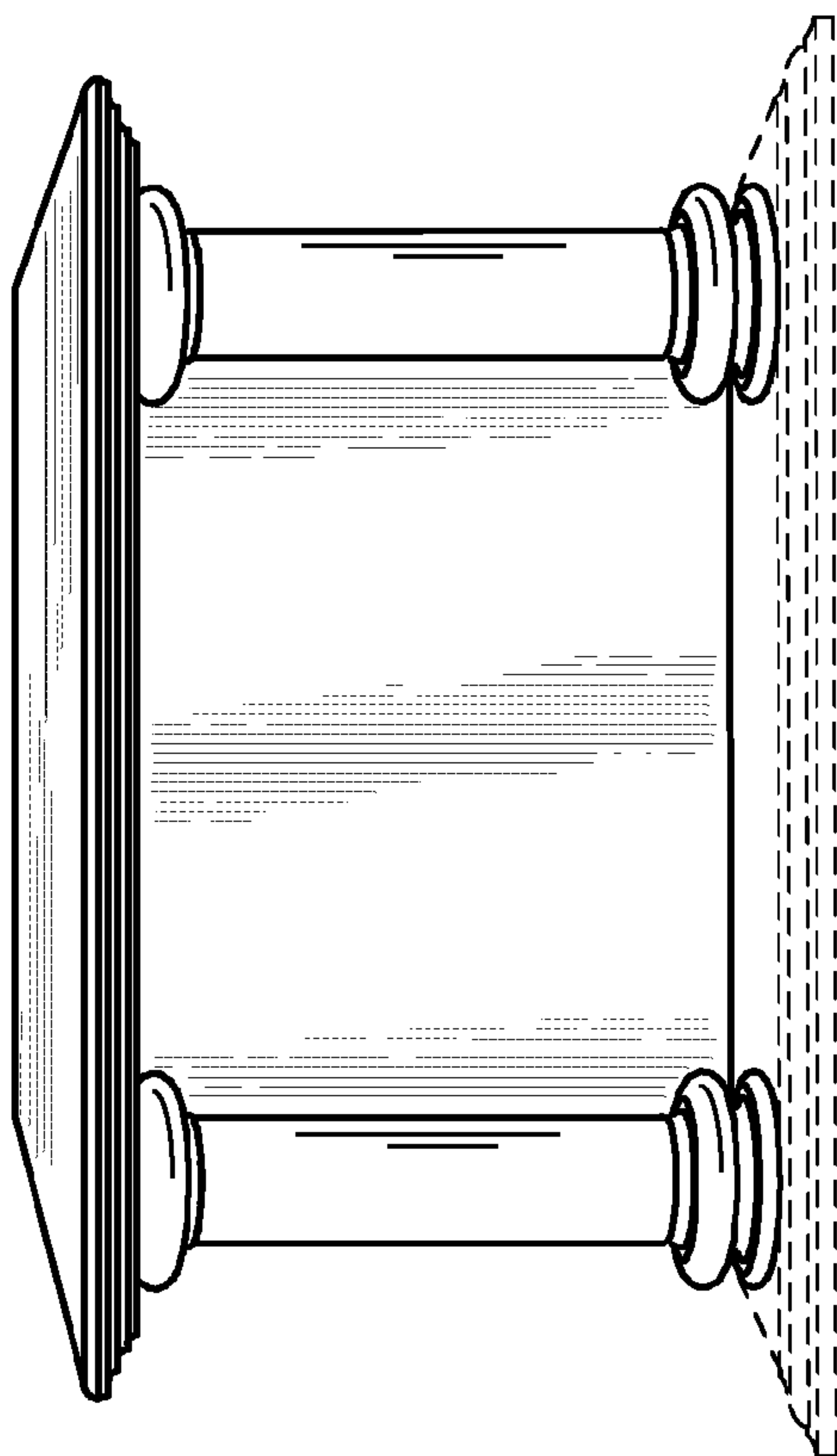


FIG. 5

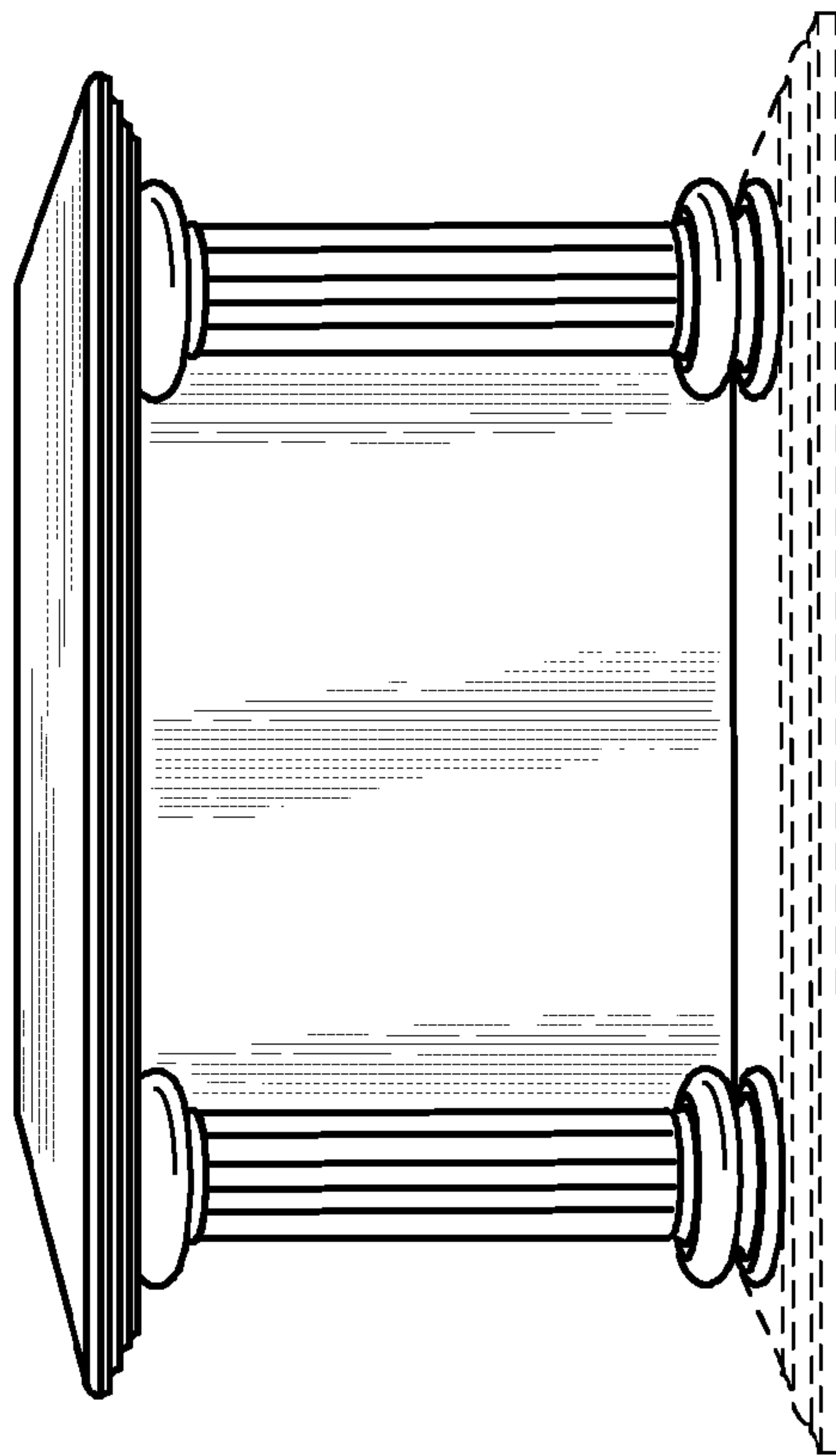


FIG. 6