



US00D618424S

(12) **United States Design Patent**
Doty

(10) **Patent No.:** **US D618,424 S**
(45) **Date of Patent:** **** Jun. 22, 2010**

(54) **URN**
(76) **Inventor:** **Douglas H. Doty**, 8 S. Polestar Point,
Inverness, FL (US) 34453
(**) **Term:** **14 Years**
(21) **Appl. No.:** **29/352,883**
(22) **Filed:** **Dec. 29, 2009**

5,696,488 A 12/1997 Assisi
6,105,288 A 8/2000 Becker
D432,285 S 10/2000 Baldwin et al.
D433,209 S 10/2000 Baldwin et al.
D444,288 S 6/2001 Robinson
D540,505 S 4/2007 Perreault
D609,874 S * 2/2010 Doty D99/5

Related U.S. Application Data

(62) Division of application No. 29/310,346, filed on Aug. 11, 2008, now Pat. No. Des. 609,874.

(51) **LOC (9) Cl.** **99-00**
(52) **U.S. Cl.** **D99/5**
(58) **Field of Classification Search** D99/1,
D99/5, 17; 27/1-17; 40/124.5; 52/103,
52/104

See application file for complete search history.

(56) **References Cited**

U.S. PATENT DOCUMENTS

196,740 A 11/1877 Bushway
D12,923 S 5/1882 Spies
D20,491 S * 1/1891 Stein D99/1
D21,582 S * 5/1892 Smedes D99/1
604,334 A 5/1898 Myers
1,167,292 A 1/1916 Graham
D62,815 S 8/1923 Dwight
1,643,154 A * 9/1927 De Young 52/104
D350,010 S 8/1994 May et al.
D351,270 S 10/1994 Beardsley

* cited by examiner

Primary Examiner—Paula Greene

(74) *Attorney, Agent, or Firm*—Law Office of Steven R. Olsen, PLLC; Steven R. Olsen

(57) **CLAIM**

The ornamental design for an urn, as shown and described.

DESCRIPTION

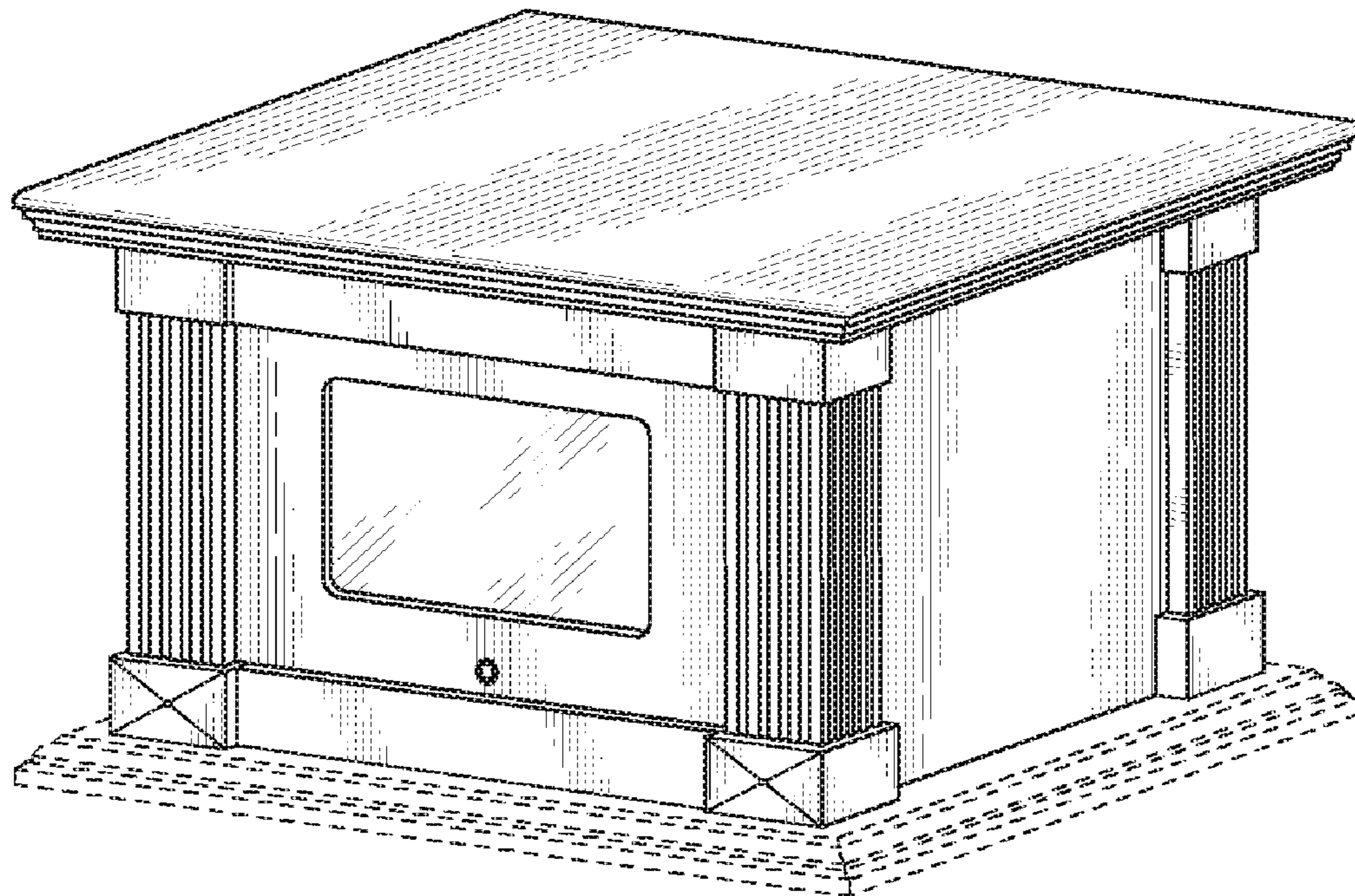
FIG. 1 is a front perspective view of an urn showing a first embodiment of my new design, the front perspective view illustrating a front, a top, and a left side thereof;

FIG. 2 is a front perspective view of an urn showing a second embodiment of my new design, the front perspective view illustrating a front, a top, and a left side thereof; and,

FIG. 3 is a rear perspective view of the urn according to the first and second embodiments of my new design, the rear perspective view illustrating a rear, the top, and a right side thereof.

The bottom of the urn is flat and unornamented. A base is shown in broken lines for illustrative purposes only and forms no part of the claimed design.

1 Claim, 2 Drawing Sheets



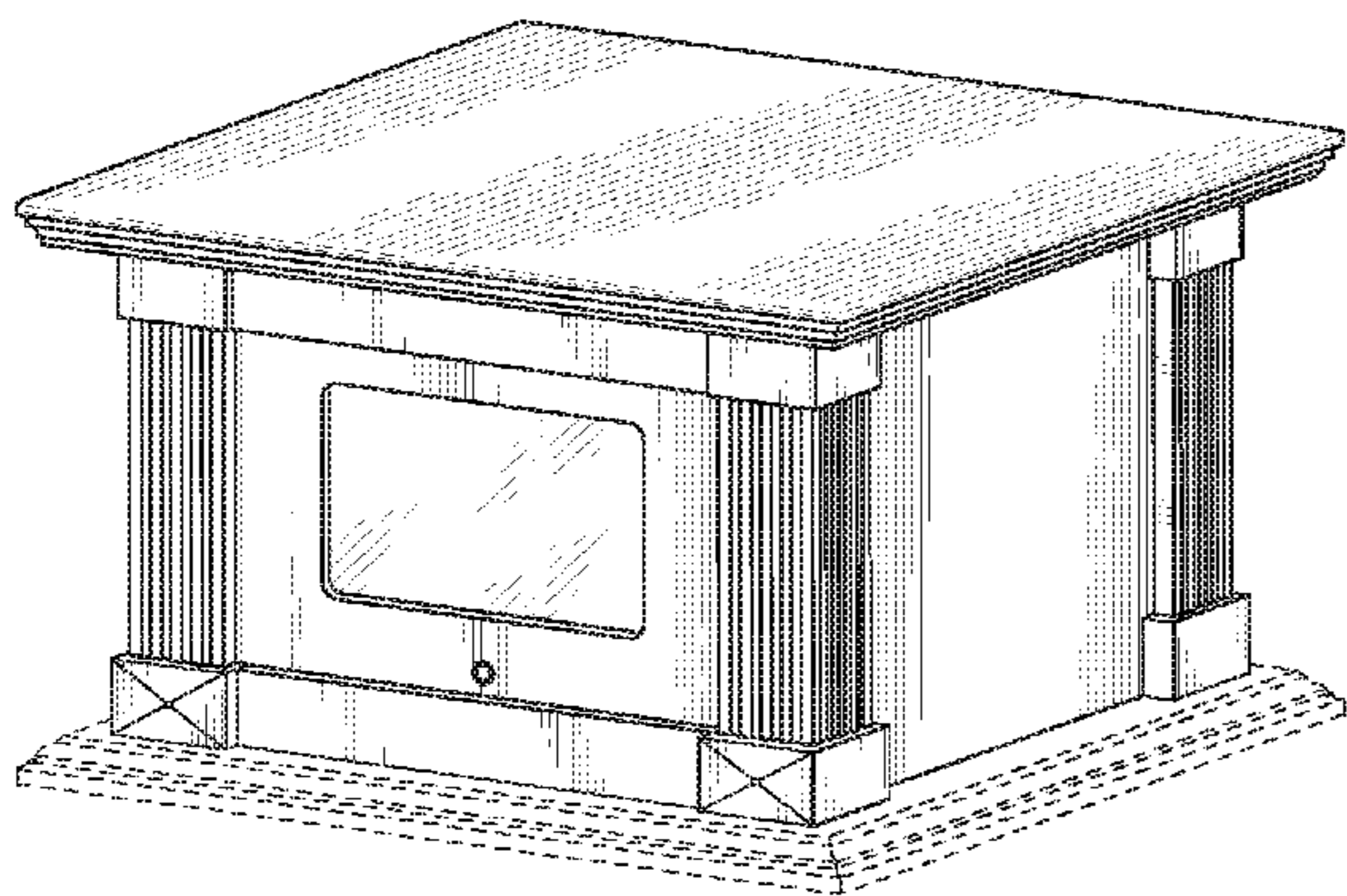


FIG. 1

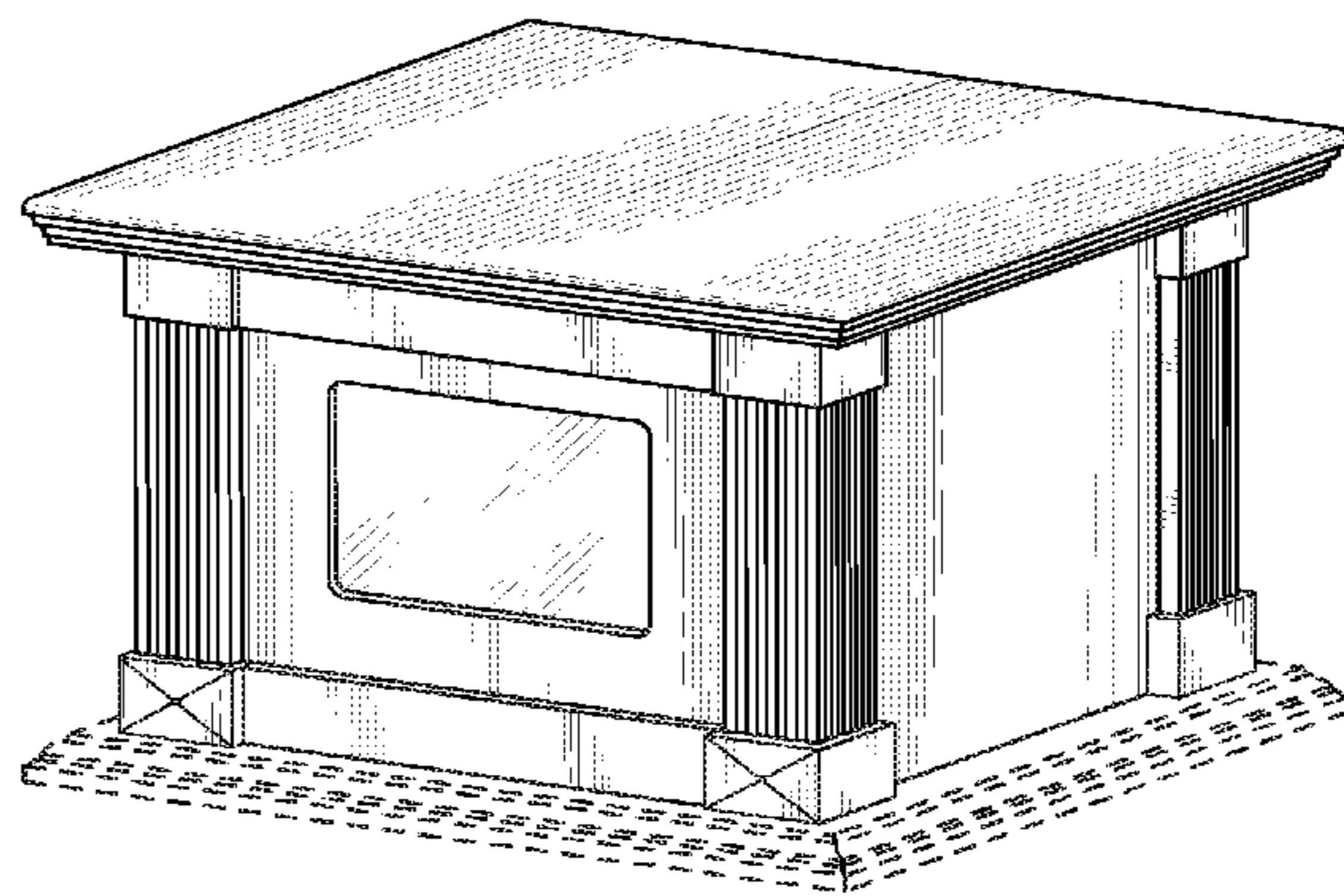


FIG. 2

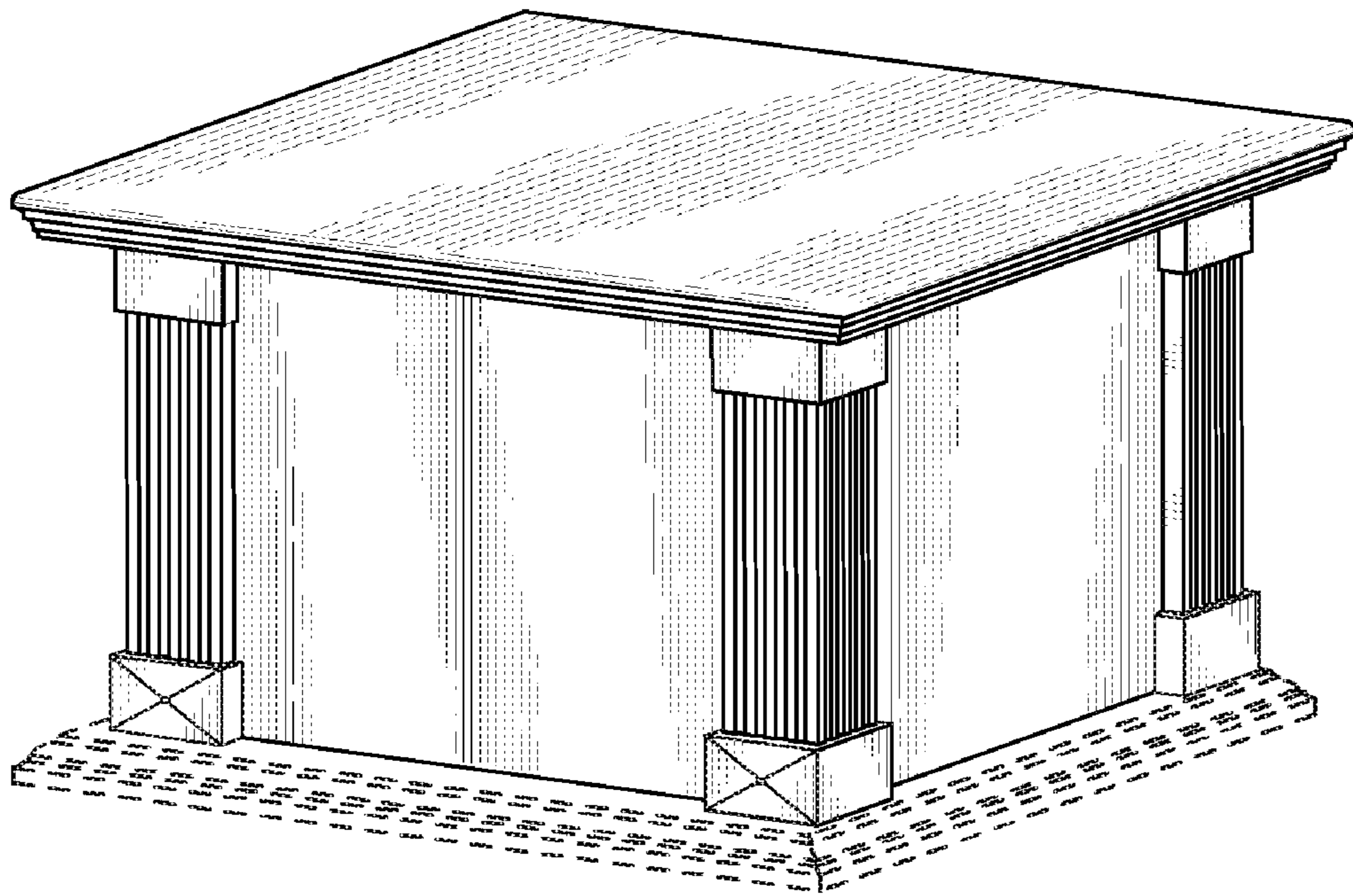


FIG. 3